

**IDC ALL PLASTIC  
"D" PLUG  
NO MOUNTING EARS  
.050" x .100" CENTERS**



**PHYSICAL PROPERTIES**

INSULATION MATERIAL: Glass reinforced thermoplastic rated UL 94V-0

COLOR: Black

CONTACTS: Beryllium copper, 30 microinches gold over nickel plating in the mating area, tin/lead plating in the termination area.

**ELECTRICAL PROPERTIES**

CURRENT RATING: 1 Amp

INSULATION RESISTANCE: >1000 Megohms

DIELECTRIC STRENGTH: >1000 VAC (Sea Level)

**ENVIRONMENTAL PROPERTIES**

TEMPERATURE RATING: -55 C to 125 C

**APPLICATION TOOLING**

HAND TOOL PLATEN: 779-3112168A

BENCH PRESS PLATEN: 779-3113168A

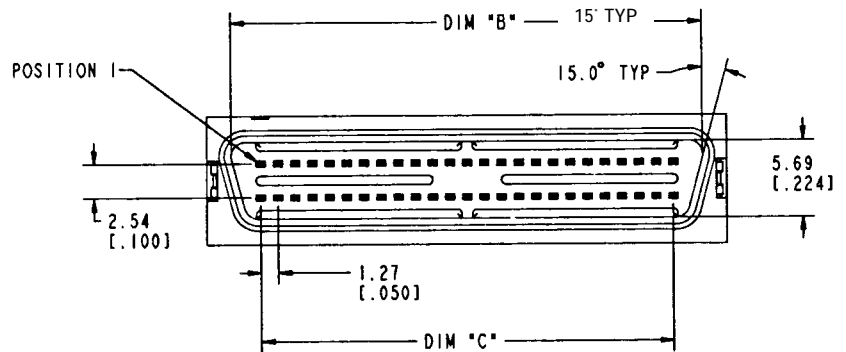
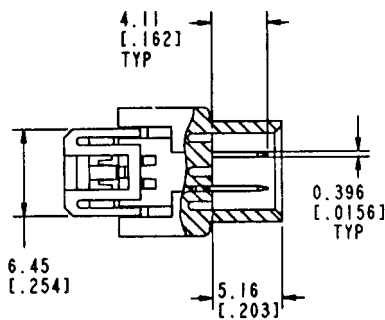
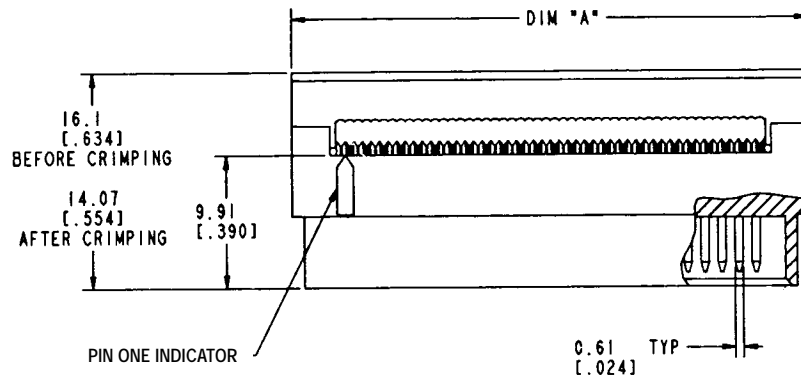
**CABLE**

See pages 97-104

**ACCESSORIES**

STANDARD STRAIN RELIEF: 311-068PSR (for 68 contact plug only)

NARROW STRAIN RELIEF: 311-068LSR



**Ordering Information**

PART NUMBER	NUMBER OF CONTACTS	A	B	C
311-026P29	26	23.16 (0.912)	19.61 (0.772)	15.24 (0.600)
311-040P29	40	32.05 (1.262)	28.50 (1.122)	24.13 (0.950)
311-050P29	50	38.40 (1.512)	34.85 (1.372)	30.48 (1.200)
311-068P29	68	49.83 (1.962)	46.28 (1.822)	41.91 (1.650)
311-080P29	80	57.45 (2.262)	53.90 (2.122)	49.53 (1.950)
311-100P29	100	70.15 (2.762)	66.60 (2.622)	62.23 (2.450)