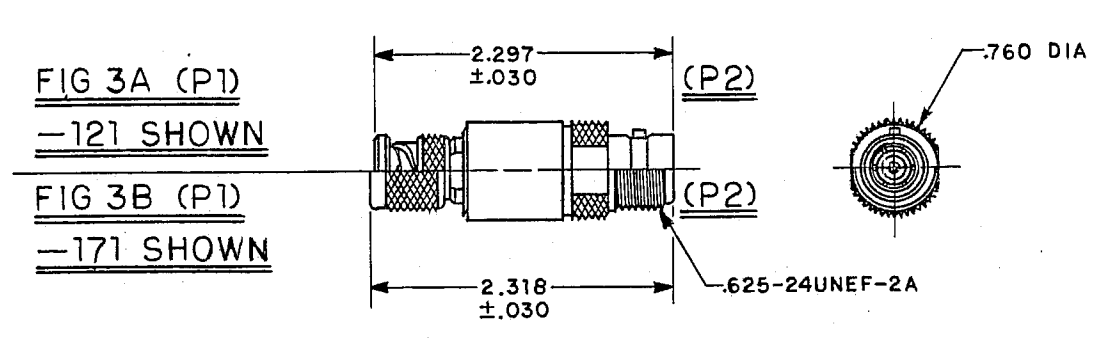
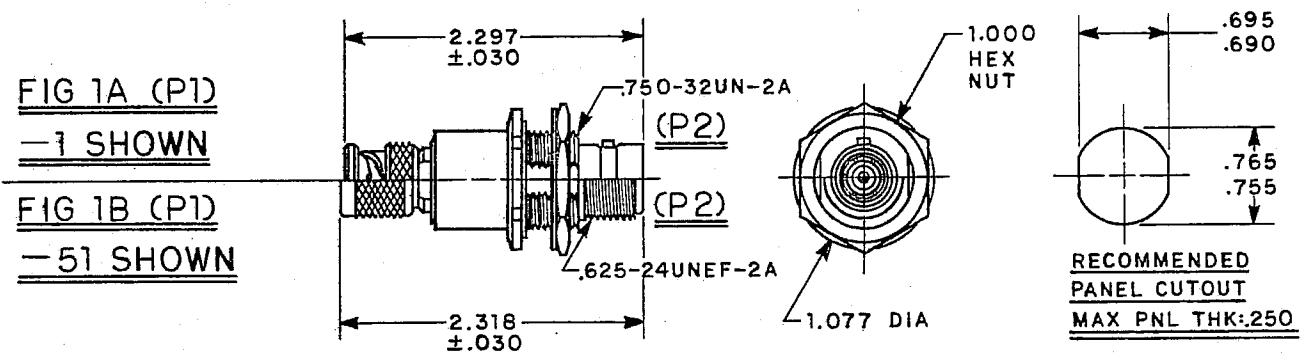


RED INDICATES ORIGINAL

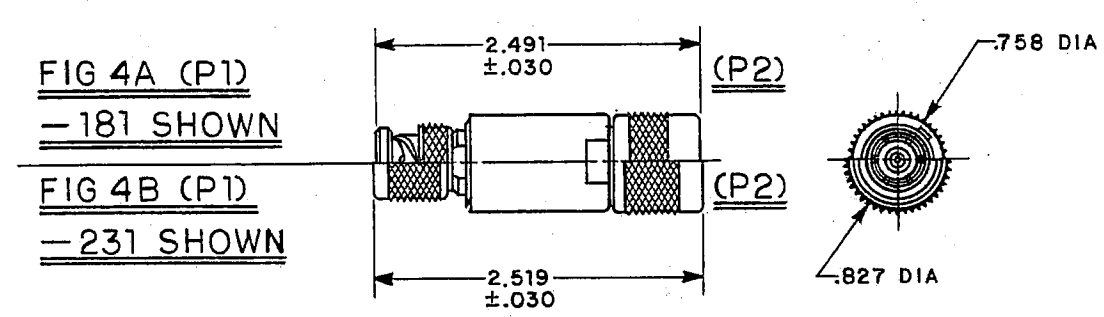
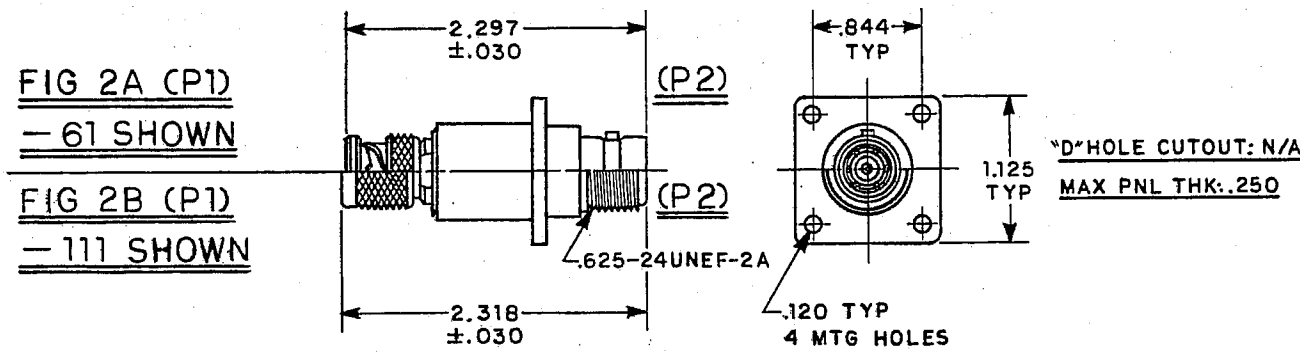
DATA CONTAINED IN THIS DOCUMENT IS PROPRIETARY TO TROMPETER ELECTRONICS INC. AND SHALL NOT BE DISCLOSED, COPIED OR USED FOR PROCUREMENT OR MANUFACTURE WITHOUT EXPRESS WRITTEN PERMISSION.

REV		EO		REVISIONS		DWN		APPROVED		DATE	
										2-22	SH 1

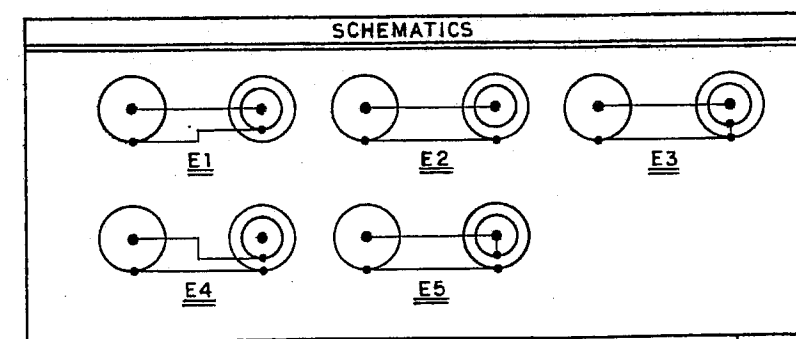
P2 CONN TYPE	FIG NO	P1 CONN TYPE																			
		PL21					UPL21					PL41					UPL21				
		SCHEMATICS																			
		E1	E2	E3	E4	E5	E1	E2	E3	E4	E5	E1	E2	E3	E4	E5	E1	E2	E3	E4	E5
DASH NUMBERS																					
BJ89	1A	-1	-2	-3	-4	-5	-6	-7	-8	-9	-10	-11	-12	-13	-14	-15	-16	-17	-18	-19	-20
BJ893	1A	-21	-22	-23	-24	-25	-26	-27	-28	-29	-30	-31	-32	-33	-34	-35	-36	-37	-38	-39	-40
BJ389	1B	-41	-42	-43	-44	-45	-46	-47	-48	-49	-50	-51	-52	-53	-54	-55	-56	-57	-58	-59	-60
BJ89F	2A	-61	-62	-63	-64	-65	-66	-67	-68	-69	-70	-71	-72	-73	-74	-75	-76	-77	-78	-79	-80
BJ893F	2A	-81	-82	-83	-84	-85	-86	-87	-88	-89	-90	-91	-92	-93	-94	-95	-96	-97	-98	-99	-100
BJ389F	2B	-101	-102	-103	-104	-105	-106	-107	-108	-109	-110	-111	-112	-113	-114	-115	-116	-117	-118	-119	-120
CJ80	3A	-121	-122	-123	-124	-125	-126	-127	-128	-129	-130	-131	-132	-133	-134	-135	-136	-137	-138	-139	-140
CJ803	3A	-141	-142	-143	-144	-145	-146	-147	-148	-149	-150	-151	-152	-153	-154	-155	-156	-157	-158	-159	-160
CJ380	3B	-161	-162	-163	-164	-165	-166	-167	-168	-169	-170	-171	-172	-173	-174	-175	-176	-177	-178	-179	-180
PL80	4A	-181	-182	-183	-184	-185	-186	-187	-188	-189	-190	-191	-192	-193	-194	-195	-196	-197	-198	-199	-200
PL803	4A	-201	-202	-203	-204	-205	-206	-207	-208	-209	-210	-211	-212	-213	-214	-215	-216	-217	-218	-219	-220
PL380	4B	-221	-222	-223	-224	-225	-226	-227	-228	-229	-230	-231	-232	-233	-234	-235	-236	-237	-238	-239	-240



INCH	MM
.005	0.13
.030	0.76
.120	3.05
.250	6.35
.690	17.53
.695	17.65
.755	19.18
.758	19.25
.760	19.30
.765	19.43
.827	21.01
.844	21.44
1.000	25.40
1.077	27.36
1.125	28.56
2.297	58.34
2.318	58.88
2.491	63.27
2.519	63.98



- EXAMPLE OF COMPLETE MODEL NO
ADAPTER AD-PL21-E1-BJ89 P2 CONN
P1 CONN SCHEMATIC
- EXAMPLE OF COMPLETE PART NO:
BASIC PART NO 12-22 X DASH NO
- BETWEEN SERIES ADAPTER; 50 & 75 OHM PIN CONTACT TYPE BNC/TNC PLUG, TO 80 SERIES PIN & SOCKET CONTACT TYPE 2 LUG, 3 LUG & THREADED PLUG, JACK, NON INSULATED BULKHEAD MOUNT JACK & FLANGE MOUNT JACK
- FINISH: TFS-1A (NICKEL)
- ALL DIM ARE IN INCHES



QTY	DESCRIPTION	PART NUMBER	ITEM
	TOL UNLESS SPECIFIED .XX ± .XXX ±.005 .XXXX ± ANGLES ±	TROMPETER ELECTRONICS, INC.	ADAPTERS: MALE BNC / TNC SERIES TO COMPLETE "80" SERIES
DWN	DKC 1-20-87	MATERIAL	CODE IDENT
CHK	F3 1-26-87		14949
ENGR	2-3-87	SCALE 1/1	DATE 2-6-87
APPR	2-4-87		
DRAWING NO. 12-22		REV	
NEXT ASSY		SHEET 1 OF 2	