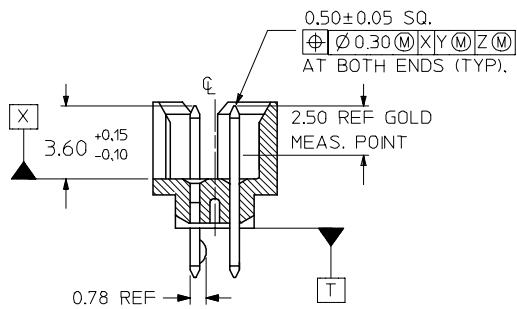
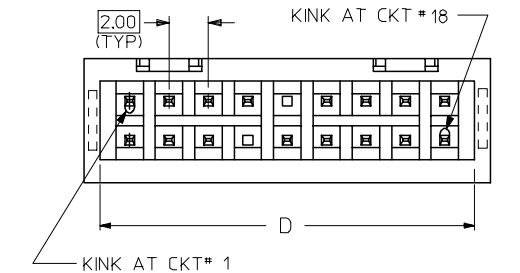
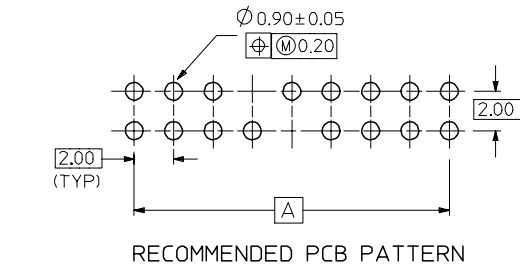


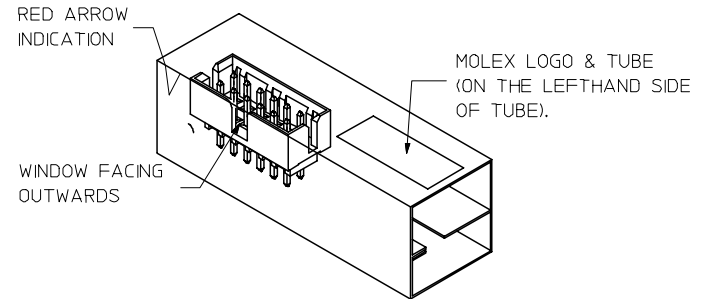
ORIENTATION OF PART IN TUBE



SECTION Z-Z



PART NO. PACKED IN TUBE.	KINK CKT	VOID CKT	CKT SIZE	DIMENSION				
				A	B	C	D	E
87831-1847	1 & 18	8 & 9	18	16.00	18.85	20.65	19.00	12.00



ORIENTATION OF PART IN TUBE.  
(FOR THE REFERENCE OF PART/TUBE ASSY)

NOTES:

- PRODUCT SPECIFICATION PS-87831-027 APPLIES.
- MATERIAL:  
HOUSING: 30% G.F., NYLON 46, UL94V-0, COLOUR - BLACK  
PIN: 0.50MM SQ.PHOSPHOR BRONZE
- PLATING:  
0.38um/15uin GOLD IN CONTACT AREA, 1.88um/75uin  
MIN TIN IN SOLDER TAIL AREA AND 1.27um/50uin MIN  
NICKEL ALL.
- PARTS TO BE PACKED IN TUBE WITH MOISTURE BARRIER BAG.
- THIS HEADER MATES WITH MOLEX :  
a) CRIMP RECEPTACLE HOUSING, 5110 SERIES WITH CRIMP  
TERMINAL, 50394 SERIES  
b) 2mm MILLIGRID DUAL ROW IDT, 87568 SERIES.

ADD MOIST BAG NOTE  
EC NO: S2007-0892  
DRWN:GEMARLY  
CHKD:SKANG  
APPR:MLONG

REV	DESCRIPTION
A1	

QUALITY SYMBOLS	GENERAL TOLERANCES (UNLESS SPECIFIED)	
	mm	INCH
▽=0	4 PLACES ± ---	± ---
▽=0	3 PLACES ± ---	± ---
	2 PLACES ± 0.2	± ---
	1 PLACE ± ---	± ---
	ANGULAR ± 3 °	

DIMENSION STYLE MM ONLY		SCALE NTS	DESIGN UNITS METRIC	THIRD ANGLE PROJECTION
DRAWN BY ATSEE	DATE 2004/08/25	TITLE	MGRID, VERTICAL SHROUDED HDR., W/SLOT & STANDOFFS VOID PINS & KINK PINS	
CHECKED BY SHONG	DATE 2004/11/22	MOLEX INCORPORATED		
APPROVED BY SKTOH	DATE 2004/11/23	DOCUMENT NO. SD-87831-040	SHEET NO. 1 OF 1	

DRAFT WHERE APPLICABLE  
MUST REMAIN  
WITHIN DIMENSIONS

SEE TABLE

THIS DRAWING CONTAINS INFORMATION THAT IS PROPRIETARY TO MOLEX INCORPORATED AND SHOULD NOT BE USED WITHOUT WRITTEN PERMISSION