

FEATURES AND SPECIFICATIONS

Features and Benefits

- Leaf-style contact design prevents damage to contacts during mating and unmating
- Highly reliable contact interface
- Trapezoidal-shaped housing provides polarization
- Fitting nails increase retention to board
- Options include polarizing posts and pick-and-place cover

Reference Information

Product Specification: PS-87433-0001
 Packaging: Tube or embossed tape and reel
 Mates With: 87433 receptacle
 Designed In: Millimeters

Electrical

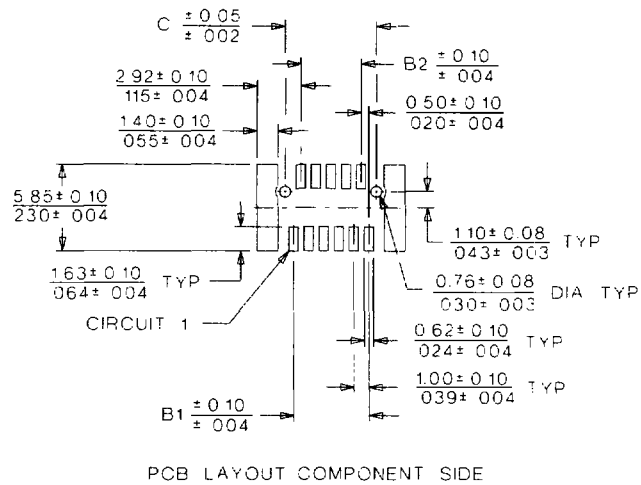
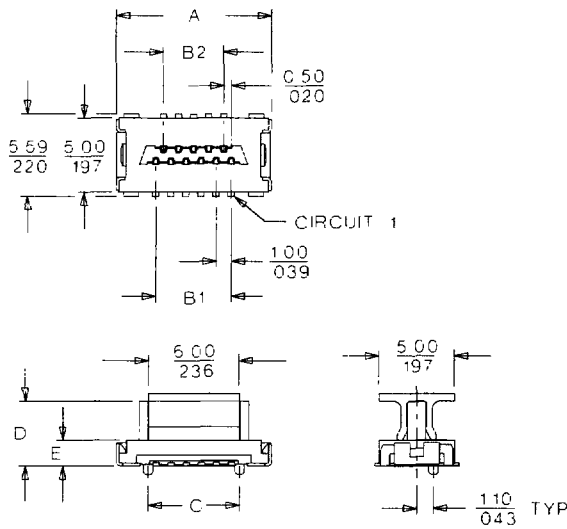
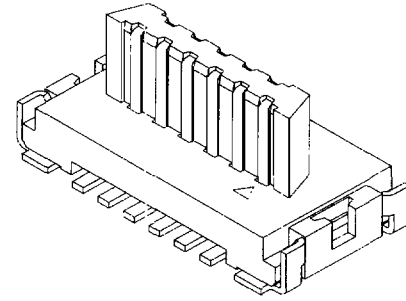
Voltage: 125V
 Current: 1.0A
 Contact Resistance: 30mΩ max.
 Dielectric Withstanding Voltage: 500V AC
 Insulation Resistance: 1000 MΩ min.

Physical

Housing: Natural high-temperature thermoplastic, UL 94V-0
 Contact: Phosphor Bronze
 Plating: 30μ" (0.76μm min.) select Gold
 Temperature: -30 to +85°C

molex® 1.00mm (.039") Pitch ZYTON™ Stacking System Board-to-Board Plug

87436 Dual Row, SMT Straight



ORDERING INFORMATION AND DIMENSIONS

Circuits	Order No.	Dimension			
		A	B	C	D
9	87436-05-X	9.30 (.366)	4.00 (.157)	3.00 (.118)	5.05 (.198)
11	87436-06-X	10.30 (.405)	5.00 (.196)	4.00 (.157)	6.05 (.238)
15	87436-08-X	12.30 (.484)	7.00 (.275)	6.00 (.236)	8.05 (.316)
21	87436-11-X	15.30 (.602)	10.00 (.393)	9.00 (.354)	11.05 (.435)
25	87436-13-X	17.30 (.681)	12.00 (.472)	13.00 (.511)	13.05 (.513)
31	87436-16-X	20.30 (.799)	15.00 (.590)	14.00 (.551)	16.05 (.631)
41	87436-21-X	25.30 (.996)	20.00 (.787)	19.00 (.748)	21.05 (.828)
51	87436-26-X	30.30 (1.192)	25.00 (.984)	24.00 (.944)	26.05 (1.025)
69	87436-35-X	39.30 (1.547)	34.00 (1.338)	33.00 (1.299)	35.05 (1.379)

Replace (* and X) with options desired

Note: * For Polarizing Posts, Cover and Packaging Options			
*	Post	Cover	Packaging
2	No	No	Tube
3	2	No	Tube
4	No	Yes	Tube
5	2	Yes	Tube
6	No	No	Reel
7	2	No	Reel
8	No	Yes	Reel
9	2	Yes	Reel

Note: X For Stacking Height Option	
3	4.15mm
4	4.50mm
5	5.00mm
6	6.00mm
7	7.00mm