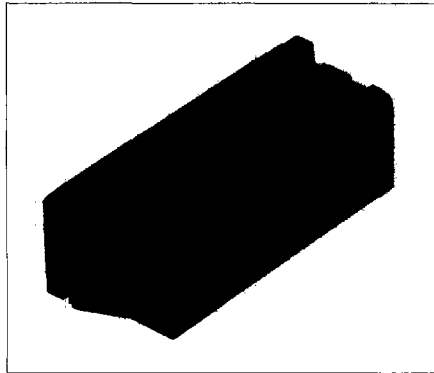
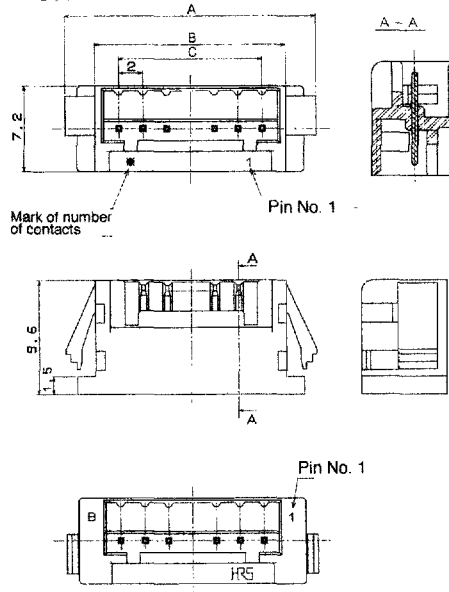


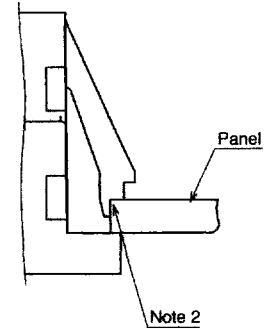
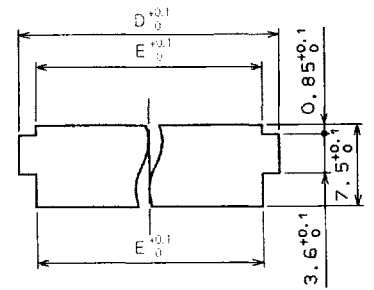
■ Extention plug with panel lock



Extension adapter to accept two sockets on both sides
No. 1 to No. 1 circuit connection type



❖ Panel cutout dimensions



Note 1: Applicable panel thickness: 1.6 - 1.0 mm (Note that some looseness is unavoidable when the plugs are mounted on a panel of other than 1.6 or 1.2 mm thickness.)
Note 2: Use the sharp edge for engagement with the panel.

HRS No.	Product No.	No. of contacts	A	B	C	D	E
543-0267-0-**-**	DF3- 2EP-2A (**)	2	11	6	2	9.4	6.3
543-0268-2-**-**	DF3- 3EP-2A (**)	3	13	8	4	11.4	8.3
543-0269-5-**-**	DF3- 4EP-2A (**)	4	15	10	6	13.4	10.3
543-0270-4-**-**	DF3- 5EP-2A (**)	5	17	12	8	15.4	12.3
543-0271-7-**-**	DF3- 6EP-2A (**)	6	19	14	10	17.4	14.3
543-0272-0-**-**	DF3- 7EP-2A (**)	7	21	16	12	19.4	16.3
543-0273-2-**-**	DF3- 8EP-2A (**)	8	23	18	14	21.4	18.3
543-0274-5-**-**	DF3- 9EP-2A (**)	9	25	20	16	23.4	20.3
543-0275-8-**-**	DF3-10EP-2A (**)	10	27	22	18	25.4	22.3
543-0276-0-**-**	DF3-11EP-2A (**)	11	29	24	20	27.4	24.3
543-0277-3-**-**	DF3-12EP-2A (**)	12	31	26	22	29.4	26.3
543-0278-6-**-**	DF3-13EP-2A (**)	13	33	28	24	31.4	28.3
543-0279-9-**-**	DF3-14EP-2A (**)	14	35	30	26	33.4	30.3
543-0280-8-**-**	DF3-15EP-2A (**)	15	37	32	28	35.4	32.3

[Specification No.]: -**, (**)
Blank : 100 pcs. per pack

Note 1: Minimum order quantity of the models without a number specified is one pack containing 100 sockets.