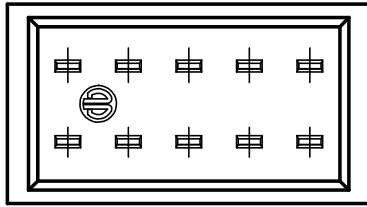


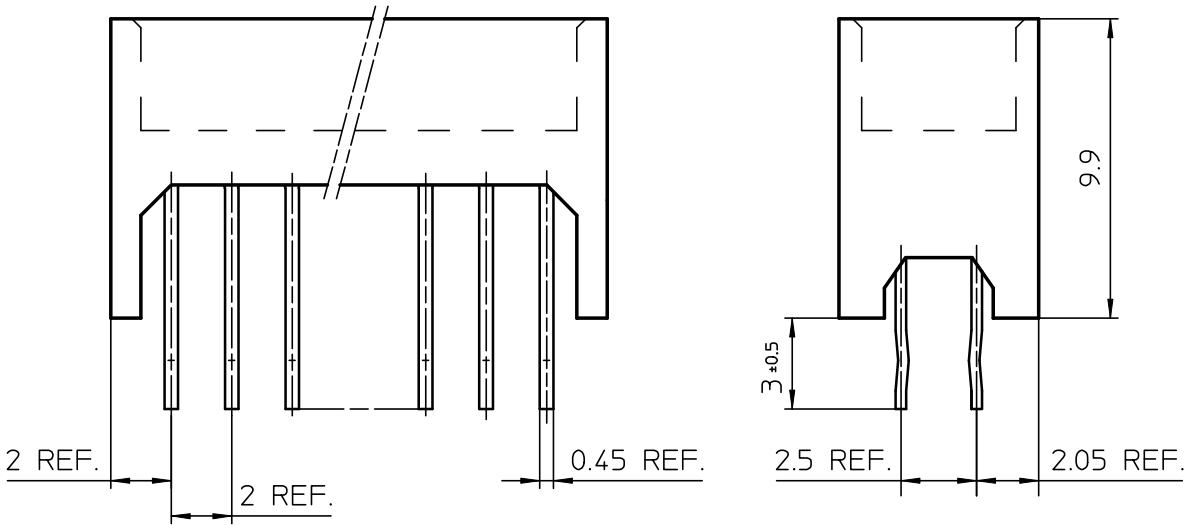
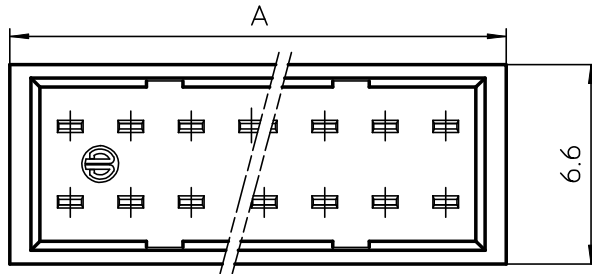
n = 8~10



TOLERANCES
UNLESS OTHERWISE SPECIFIED : ±0.3

n : NO. OF CONTACTS

n = 12~30



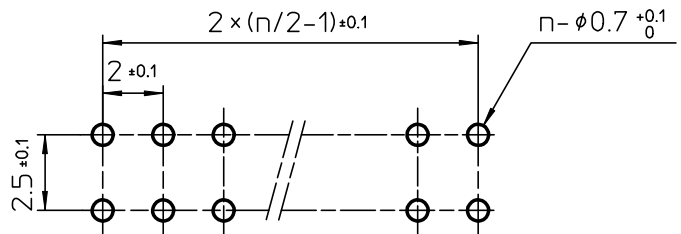
MATERIAL


INSULATOR : PBT RESIN GLASS REINFORCED (UL94V-0)
COLOR : BLACK

CONTACT : BRASS
TIN ALLOY PLATED.

RECOMMENDED PC BOARD

THICKNESS : 1.6
HOLE PATTERN (COMPONENT SIDE)

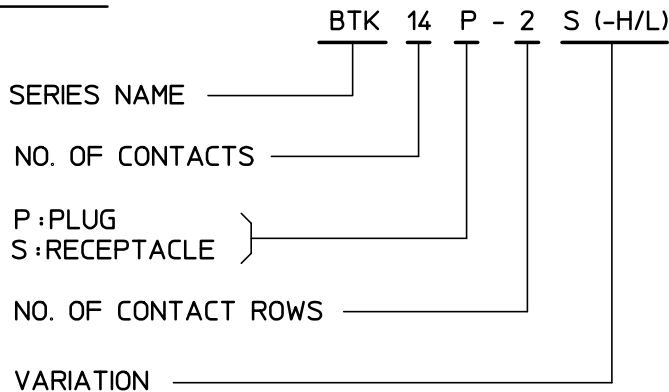


					SCALE	∞	BOARD TO BOARD (HIGH PROFILE TYPE)	
					DIM. IN	mm	CAT. NO.	
					DESIGNED		BTK __ P-2S-H	
					DRAWN		DRAWING NO.	REV.
					CHECKED		JSA 91010	
					APPROVED		 DF-136 REV.A	
REV.	DATE	DESCRIPTION	DWN.	APPD.	DATE			

CAT. NO. & DIMENSIONS

NO. OF CONTACTS (n)	PLUG		RECEPTACLE	
	CAT. NO.	DIMENSIONS (NOTE)	CAT. NO.	DIMENSIONS (NOTE)
		A ±0.3		B ±0.3
4	BTK 4P - 2S (-H/L)	6	BTK 4S - 2S	4
6	BTK 6P - 2S (-H/L)	8	BTK 6S - 2S	6
8	BTK 8P - 2S (-H/L)	10	BTK 8S - 2S	8
10	BTK10P - 2S (-H/L)	12	BTK10S - 2S	10
12	BTK12P - 2S (-H/L)	14	BTK12S - 2S	12
14	BTK14P - 2S (-H/L)	16	BTK14S - 2S	14
16	BTK16P - 2S (-H/L)	18	BTK16S - 2S	16
18	BTK18P - 2S (-H/L)	20	BTK18S - 2S	18
20	BTK20P - 2S (-H/L)	22	BTK20S - 2S	20
22	BTK22P - 2S (-H/L)	24	BTK22S - 2S	22
24	BTK24P - 2S (-H/L)	26	BTK24S - 2S	24
26	BTK26P - 2S (-H/L)	28	BTK26S - 2S	26
28	BTK28P - 2S (-H/L)	30	BTK28S - 2S	28
30	BTK30P - 2S (-H/L)	32	BTK30S - 2S	30

CAT. NO.




REF. DWG. (NOTE)

PLUG (STANDERD TYPE) : JSA90148
 (HIGH PROFILE TYPE) : JSA 91010
 (LOW PROFILE TYPE) : JSA 91009

RECEPTACLE : JSA90149

NOTE. SEE REF. DWG.

					SCALE	∞	BOARD TO BOARD	
					DIM. IN	mm	CAT. NO.	
					DESIGNED		BTK __ P/S - 2S (-H/L)	
					DRAWN		DRAWING NO.	REV.
					CHECKED		JSA 90151	
					APPROVED		 DF-136 REV.A	
REV.	DATE	DESCRIPTION	DWN.	APPD.	DATE			