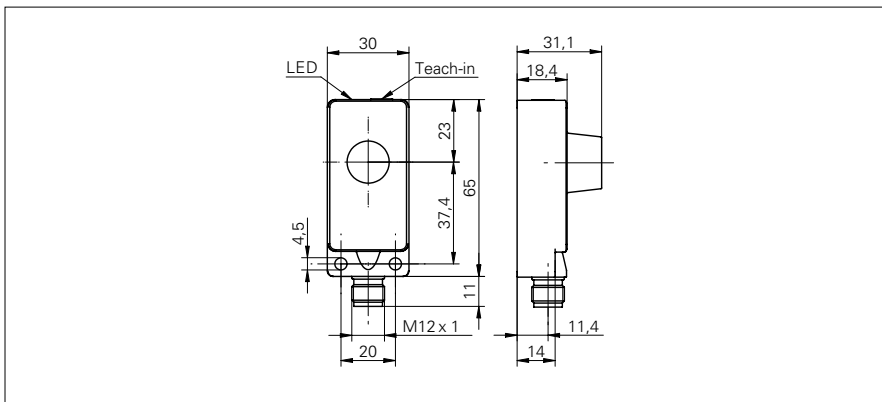


Ultrasonic proximity sensors

UZDK 30 (Sd = 400 mm)

sample drawing



general data

special type	2 point proximity switch
scanning range sd	60 ... 400 mm
scanning range far limit Sde	60 ... 400 mm
hysteresis typ.	4 % Sde
repeat accuracy	< 0,5 mm
temperature drift	< 2 % Sde
response time ton	< 30 ms
release time toff	< 30 ms
alignment aid	target indication flashing
sonic frequency	400 kHz
output indicator	green / yellow LED
adjustment	Teach-in

electrical data

voltage supply range +Vs	12 ... 30 VDC
current consumption max.	40 mA
output current	< 200 mA
voltage drop Vd	< 2 VDC
residual ripple	< 10 % Vs
short circuit protection	yes
reverse polarity protection	yes

mechanical data

width / diameter	30 mm
height / length	65 mm
depth	31 mm
type	rectangular
housing material	polyester / die-cast zinc

ambient conditions

operating temperature	-10 ... +60 °C
protection class	IP 67

sample picture



Ultrasonic proximity sensors**UZDK 30 (Sd = 400 mm)**

order reference	output circuit	connection types
UZDK 30N6112/S14	NPN make function (NO)	connector M12
UZDK 30P6112	PNP make function (NO)	cable, 2 m
UZDK 30P6112/S14	PNP make function (NO)	connector M12