
LOW VOLTAGE DETECTOR

NO.EA-056-110131

OUTLINE

The R3111x series are CMOS-based voltage detector ICs with high detector threshold accuracy and ultra-low supply current, which can be operated at an extremely low voltage and is used for system reset as an example.

Each of these ICs consists of a voltage reference unit, a comparator, resistors for detector threshold setting, an output driver and a hysteresis circuit. The detector threshold is fixed with high accuracy internally and does not require any adjustment.

Three output types, Nch open drain "L" type, Nch open drain "H" type and CMOS type are available.

The R3111x Series are operable at a lower voltage than that for the Rx5VL series, and can be driven by a single battery.

Seven types of packages, TO-92, SOT-89, SOT-23-3, SOT-23-5, SC-82AB, SC-88A and SON1612-6 are available.

FEATURES

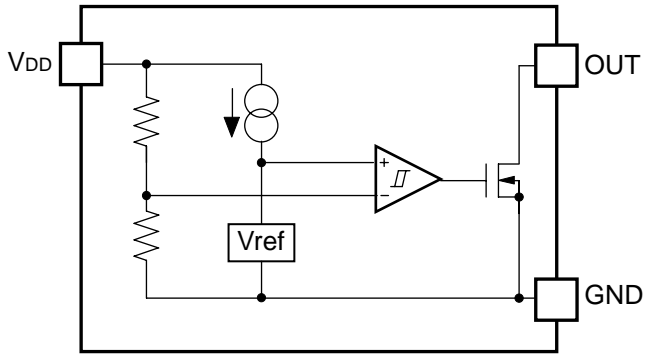
- Supply Current Typ. 0.8 μ A ($-V_{DET}=1.5V$, $V_{DD}=-V_{DET}-0.1V$)
- Operating Voltage Range.....0.7V to 10.0V ($T_{opt}=25^{\circ}C$)
- Detector Threshold Range.....0.9V to 6.0V (0.1V steps)
(For other voltages, please refer to MARK INFORMATIONS.)
- Detector Threshold Accuracy..... $\pm 2.0\%$
- Temperature-Drift Coefficient of Detector Threshold Typ. $\pm 100ppm/^{\circ}C$
- Output Types..... Nch Open Drain "L", Nch Open Drain "H", and CMOS
- Packages SON1612-6, SC-82AB, SC-88A, SOT-23-3, SOT-23-5, SOT-89, TO-92

APPLICATIONS

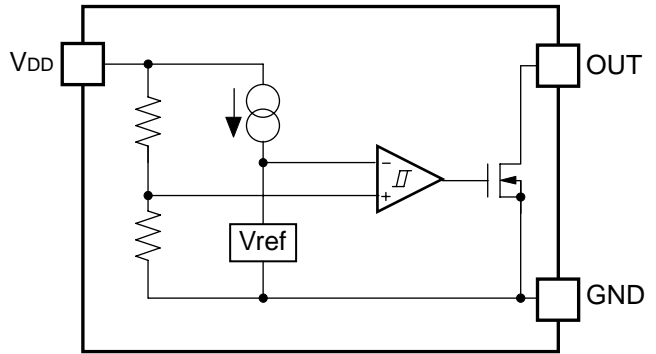
- CPU and Logic Circuit Reset
- Battery Checker
- Window Comparator
- Wave Shaping Circuit
- Battery Back-up Circuit
- Power Failure Detector

BLOCK DIAGRAMS

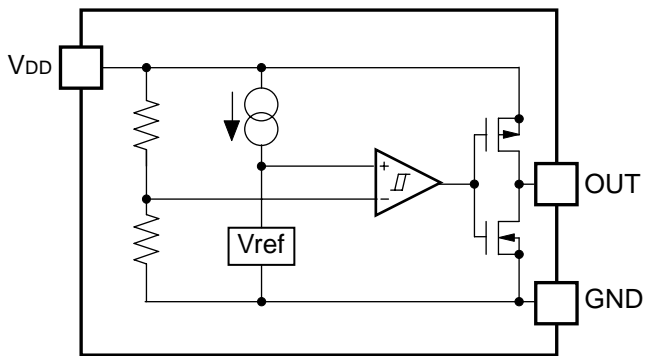
R3111xxxxA



R3111xxxxB



R3111xxxxC



SELECTION GUIDE

The package type, the detector threshold, the output type and the taping type for the ICs can be selected at the users' request. The selection can be made with designating the part number as shown below;

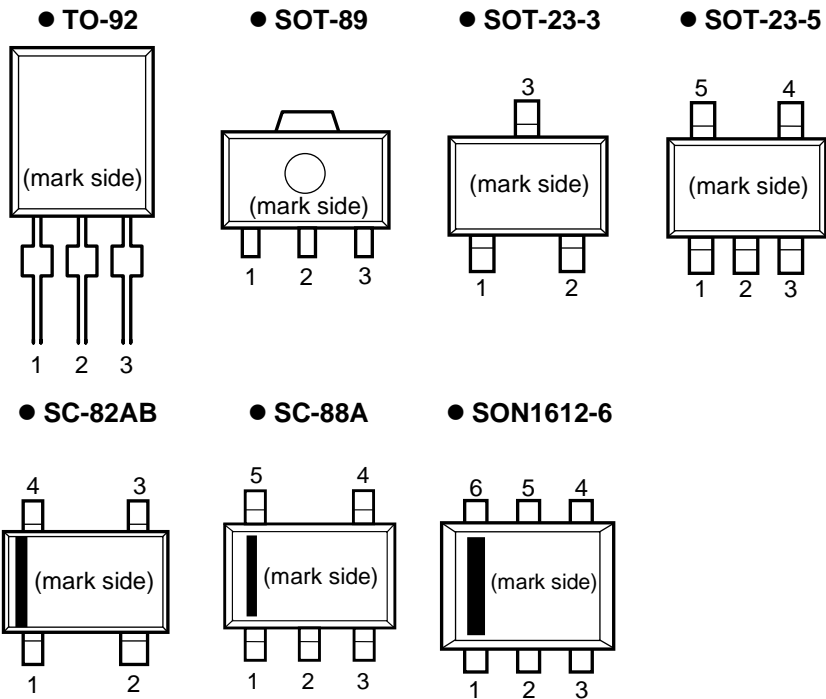
Product Name	Package	Quantity per Reel	Pb Free	Halogen Free
R3111Dxx1*-TR-FE	SON1612-6	4,000 pcs	Yes	Yes
R3111Qxx1*-TR-FE	SC-82AB	3,000 pcs	Yes	Yes
R3111Qxx2*-TR-FE	SC-88A	3,000 pcs	Yes	Yes
R3111Nxx2\$-TR-FE	SOT-23-3	3,000 pcs	Yes	Yes
R3111Nxx1\$-TR-FE	SOT-23-5	3,000 pcs	Yes	Yes
R3111Hxx1\$-T1-FE	SOT-89	1,000 pcs	Yes	Yes
R3111Exx1\$-TZ-F	TO-92	2,500 pcs	Yes	No

xx: The detector threshold can be designated in the range from 0.9V(09) to 6.0V(60) in 0.1V steps.
(For other voltages, please refer to MARK INFORMATIONS.)

* : Designation of Output Type
(A) Nch Open Drain (Output "L" at Detection)
(B) Nch Open Drain (Output "H" at Detection)
(C) CMOS (Output "L" at Detection)

\$: Designation of Output Type
(A) Nch Open Drain (Output "L" at Detection)
(C) CMOS (Output "L" at Detection)

PIN CONFIGURATIONS



PIN DESCRIPTIONS

● TO-92

Pin No.	Symbol
1	V_{DD}
2	GND
3	OUT

● SOT-89

Pin No.	Symbol
1	OUT
2	V_{DD}
3	GND

● SOT-23-3

Pin No.	Symbol
1	OUT
2	GND
3	V_{DD}

● SOT-23-5

Pin No.	Symbol
1	OUT
2	V_{DD}
3	GND
4	NC
5	NC

● SC-82AB

Pin No.	Symbol
1	OUT
2	V_{DD}
3	NC
4	GND

● SC-88A

Pin No.	Symbol
1	OUT
2	NC
3	V_{DD}
4	NC
5	GND

● SON1612-6

Pin No.	Symbol
1	OUT
2	V_{DD}
3	GND
4	NC
5	V_{DD}
6	NC

ABSOLUTE MAXIMUM RATINGS

Symbol	Item	Rating	Unit
V_{DD}	Supply Voltage	12	V
V_{OUT1}	Output Voltage (CMOS)	$V_{SS}-0.3$ to $V_{DD}+0.3$	V
V_{OUT2}	Output Voltage (Nch)	$V_{SS}-0.3$ to 12	V
I_{OUT}	Output Current	70	mA
P_D	Power Dissipation (TO-92)*	300	mW
	Power Dissipation (SOT-89)*	900	
	Power Dissipation (SOT-23-3)*	420	
	Power Dissipation (SOT-23-5)*	420	
	Power Dissipation (SC-82AB)*	380	
	Power Dissipation (SC-88A)*	380	
	Power Dissipation (SON1612-6)*	500	
T_{opt}	Operating Temperature Range	-40 to 85	°C
T_{stg}	Storage Temperature Range	-55 to 125	°C
T_{solder}	Lead temperature (Soldering)	260°C, 10s	

*) For Power Dissipation, please refer to PACKAGE INFORMATION.

ABSOLUTE MAXIMUM RATINGS

Electronic and mechanical stress momentarily exceeded absolute maximum ratings may cause the permanent damages and may degrade the life time and safety for both device and system using the device in the field. The functional operation at or over these absolute maximum ratings is not assured.

RECOMMENDED OPERATING CONDITIONS (ELECTRICAL CHARACTERISTICS)

All of electronic equipment should be designed that the mounted semiconductor devices operate within the recommended operating conditions. The semiconductor devices cannot operate normally over the recommended operating conditions, even if when they are used over such conditions by momentary electronic noise or surge. And the semiconductor devices may receive serious damage when they continue to operate over the recommended operating conditions.

ELECTRICAL CHARACTERISTICS

• R3111x09xA/C

T_{opt}=25°C

Symbol	Item	Conditions	Min.	Typ.	Max.	Unit
-V _{DET}	Detector Threshold		0.882	0.900	0.918	V
V _{HYS}	Detector Threshold Hysteresis		0.027	0.045	0.063	V
I _{SS}	Supply Current	V _{DD} =0.80V V _{DD} =2.90V		0.8 0.9	2.4 2.7	μA
V _{DDH}	Maximum Operating Voltage				10	V
V _{DDL}	Minimum Operating Voltage ^{*Note1}	T _{opt} =25°C		0.55	0.70	V
		-40°C ≤ T _{opt} ≤ 85°C		0.65	0.80	
I _{OUT}	Output Current (Driver Output Pin)	Nch V _{DS} =0.05V, V _{DD} =0.70V V _{DS} =0.50V, V _{DD} =0.85V	0.01 0.05	0.05 0.50		mA
		Pch V _{DS} =-2.1V, V _{DD} =4.5V	1.0	2.0		mA
t _{PLH}	Output Delay Time ^{*Note2}				100	μs
Δ-V _{DET} / ΔT _{opt}	Detector Threshold Temperature Coefficient	-40°C ≤ T _{opt} ≤ 85°C		±100		ppm/°C

• R3111x18xA/C

T_{opt}=25°C

Symbol	Item	Conditions	Min.	Typ.	Max.	Unit
-V _{DET}	Detector Threshold		1.764	1.800	1.836	V
V _{HYS}	Detector Threshold Hysteresis		0.054	0.090	0.126	V
I _{SS}	Supply Current	V _{DD} =1.70V V _{DD} =3.80V		0.8 1.0	2.4 3.0	μA
V _{DDH}	Maximum Operating Voltage				10	V
V _{DDL}	Minimum Operating Voltage ^{*Note1}	T _{opt} =25°C		0.55	0.70	V
		-40°C ≤ T _{opt} ≤ 85°C		0.65	0.80	
I _{OUT}	Output Current (Driver Output Pin)	Nch V _{DS} =0.05V, V _{DD} =0.70V V _{DS} =0.50V, V _{DD} =1.50V	0.01 1.00	0.05 2.00		mA
		Pch V _{DS} =-2.1V, V _{DD} =4.5V	1.0	2.0		mA
t _{PLH}	Output Delay Time ^{*Note2}				100	μs
Δ-V _{DET} / ΔT _{opt}	Detector Threshold Temperature Coefficient	-40°C ≤ T _{opt} ≤ 85°C		±100		ppm/°C

*Note1: Minimum operating voltage means the value of input voltage when output voltage maintains 0.1V or less. (In the case of Nch Open Drain Output type, the output pin is pulled up with a resistance of 470kΩ to 5.0V.)

*Note2: In the case of CMOS Output type: The time interval between the rising edge of V_{DD} input pulse from 0.7V to (+V_{DET})+2.0V and output voltage level becoming to ((+V_{DET})+2.0V)/2.

In the case of Nch Open Drain Output type: The output pin is pulled up with a resistance of 470kΩ to 5.0V, the time interval between the rising edge of V_{DD} input pulse from 0.7V to (+V_{DET})+2.0V and output voltage level becoming to 2.5V.

● R3111x27xA/C

T_{opt}=25°C

Symbol	Item	Conditions	Min.	Typ.	Max.	Unit
-V _{DET}	Detector Threshold		2.646	2.700	2.754	V
V _{HYS}	Detector Threshold Hysteresis		0.081	0.135	0.189	V
I _{SS}	Supply Current	V _{DD} =2.60V V _{DD} =4.70V		0.9 1.1	2.7 3.3	μA
V _{DDH}	Maximum Operating Voltage				10	V
V _{DDL}	Minimum Operating Voltage ^{*Note1}	T _{opt} =25°C		0.55	0.70	V
		-40°C ≤ T _{opt} ≤ 85°C		0.65	0.80	
I _{OUT}	Output Current (Driver Output Pin)	Nch V _{DS} =0.05V, V _{DD} =0.70V V _{DS} =0.50V, V _{DD} =1.50V	0.01 1.00	0.05 2.00		mA
		Pch V _{DS} =-2.1V, V _{DD} =4.5V	1.0	2.0		
t _{PLH}	Output Delay Time ^{*Note2}				100	μs
$\frac{\Delta-V_{DET}}{\Delta T_{opt}}$	Detector Threshold Temperature Coefficient	-40°C ≤ T _{opt} ≤ 85°C		±100		ppm/°C

● R3111x36xA/C

T_{opt}=25°C

Symbol	Item	Conditions	Min.	Typ.	Max.	Unit
-V _{DET}	Detector Threshold		3.528	3.600	3.672	V
V _{HYS}	Detector Threshold Hysteresis		0.108	0.180	0.252	V
I _{SS}	Supply Current	V _{DD} =3.47V V _{DD} =5.60V		1.0 1.2	3.0 3.6	μA
V _{DDH}	Maximum Operating Voltage				10	V
V _{DDL}	Minimum Operating Voltage ^{*Note1}	T _{opt} =25°C		0.55	0.70	V
		-40°C ≤ T _{opt} ≤ 85°C		0.65	0.80	
I _{OUT}	Output Current (Driver Output Pin)	Nch V _{DS} =0.05V, V _{DD} =0.70V V _{DS} =0.50V, V _{DD} =1.50V	0.01 1.00	0.05 2.00		mA
		Pch V _{DS} =-2.1V, V _{DD} =4.5V	1.0	2.0		
t _{PLH}	Output Delay Time ^{*Note2}				100	μs
$\frac{\Delta-V_{DET}}{\Delta T_{opt}}$	Detector Threshold Temperature Coefficient	-40°C ≤ T _{opt} ≤ 85°C		±100		ppm/°C

*Note1: Minimum operating voltage means the value of input voltage when output voltage maintains 0.1V or less. (In the case of Nch Open Drain Output type, the output pin is pulled up with a resistance of 470kΩ to 5.0V.)

*Note2: In the case of CMOS Output type: The time interval between the rising edge of V_{DD} input pulse from 0.7V to (+V_{DET})+2.0V and output voltage level becoming to ((+V_{DET})+2.0V)/2.

In the case of Nch Open Drain Output type: The output pin is pulled up with a resistance of 470kΩ to 5.0V, the time interval between the rising edge of V_{DD} input pulse from 0.7V to (+V_{DET})+2.0V and output voltage level becoming to 2.5V.

R3111x

• R3111x45xA/C

T_{opt}=25°C

Symbol	Item	Conditions	Min.	Typ.	Max.	Unit
-V _{DET}	Detector Threshold		4.410	4.500	4.590	V
V _{HYS}	Detector Threshold Hysteresis		0.135	0.225	0.315	V
I _{SS}	Supply Current	V _{DD} =4.34V V _{DD} =6.50V		1.1 1.3	3.3 3.9	μA
V _{DDH}	Maximum Operating Voltage				10	V
V _{DDL}	Minimum Operating Voltage ^{*Note1}	T _{opt} =25°C		0.55	0.70	V
		-40°C ≤ T _{opt} ≤ 85°C		0.65	0.80	
I _{OUT}	Output Current (Driver Output Pin)	Nch V _{DS} =0.05V, V _{DD} =0.70V V _{DS} =0.50V, V _{DD} =1.50V	0.01 1.00	0.05 2.00		mA
		Pch V _{DS} =-2.1V, V _{DD} =8.0V	1.5	3.0		
t _{PLH}	Output Delay Time ^{*Note2}				100	μs
$\frac{\Delta-V_{DET}}{\Delta T_{opt}}$	Detector Threshold Temperature Coefficient	-40°C ≤ T _{opt} ≤ 85°C		±100		ppm/°C

• R3111x54xA/C

T_{opt}=25°C

Symbol	Item	Conditions	Min.	Typ.	Max.	Unit
-V _{DET}	Detector Threshold		5.292	5.400	5.508	V
V _{HYS}	Detector Threshold Hysteresis		0.162	0.270	0.378	V
I _{SS}	Supply Current	V _{DD} =5.20V V _{DD} =7.40V		1.2 1.4	3.6 4.2	μA
V _{DDH}	Maximum Operating Voltage				10	V
V _{DDL}	Minimum Operating Voltage ^{*Note1}	T _{opt} =25°C		0.55	0.70	V
		-40°C ≤ T _{opt} ≤ 85°C		0.65	0.80	
I _{OUT}	Output Current (Driver Output Pin)	Nch V _{DS} =0.05V, V _{DD} =0.70V V _{DS} =0.50V, V _{DD} =1.50V	0.01 1.00	0.05 2.00		mA
		Pch V _{DS} =-2.1V, V _{DD} =8.0V	1.5	3.0		
t _{PLH}	Output Delay Time ^{*Note2}				100	μs
$\frac{\Delta-V_{DET}}{\Delta T_{opt}}$	Detector Threshold Temperature Coefficient	-40°C ≤ T _{opt} ≤ 85°C		±100		ppm/°C

*Note1: Minimum operating voltage means the value of input voltage when output voltage maintains 0.1V or less. (In the case of Nch Open Drain Output type, the output pin is pulled up with a resistance of 470kΩ to 5.0V.)

*Note2: In the case of CMOS Output type: The time interval between the rising edge of V_{DD} input pulse from 0.7V to (+V_{DET})+2.0V and output voltage level becoming to ((+V_{DET})+2.0V)/2.

In the case of Nch Open Drain Output type: The output pin is pulled up with a resistance of 470kΩ to 5.0V, the time interval between the rising edge of V_{DD} input pulse from 0.7V to (+V_{DET})+2.0V and output voltage level becoming to 2.5V.

● R3111Q231B

T_{opt}=25°C

Symbol	Item	Conditions	Min.	Typ.	Max.	Unit
-V _{DET}	Detector Threshold		2.254	2.300	2.346	V
V _{HYS}	Detector Threshold Hysteresis		0.069	0.115	0.161	V
I _{SS}	Supply Current	V _{DD} =2.2V V _{DD} =4.3V		0.9 1.1	2.7 3.3	μA
V _{DDH}	Maximum Operating Voltage				10	V
V _{DDL}	Minimum Operating Voltage ^{*Note1}	T _{opt} =25°C		0.55	0.70	V
		-40°C ≤ T _{opt} ≤ 85°C		0.65	0.80	
I _{OUT}	Output Current (Driver Output Pin)	Nch V _{DS} =0.10V, V _{DD} =6.5V	2.5			mA
t _{PLH}	Output Delay Time ^{*Note2}				100	μs
Δ-V _{DET} / ΔT _{opt}	Detector Threshold Temperature Coefficient	-40°C ≤ T _{opt} ≤ 85°C		±100		ppm/°C

● R3111Q441B

T_{opt}=25°C

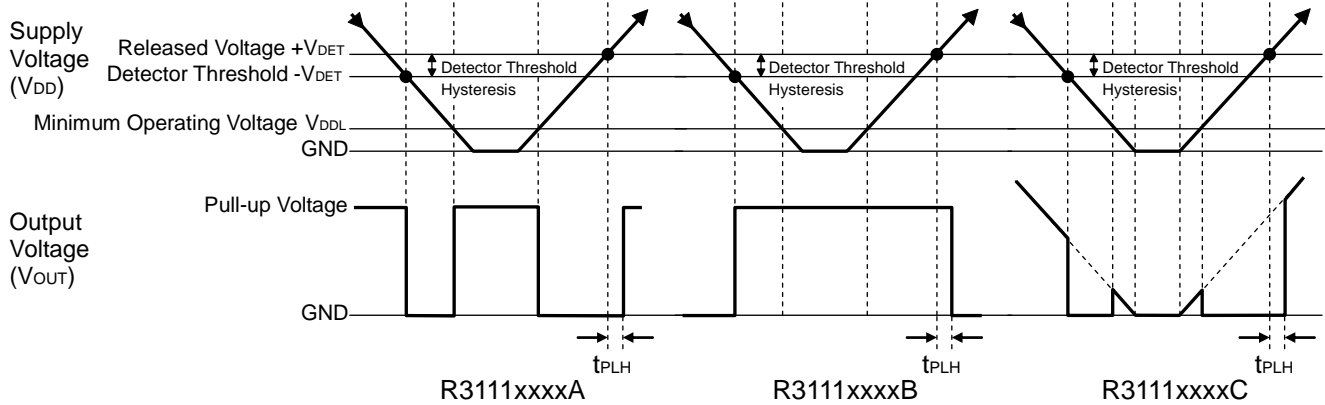
Symbol	Item	Conditions	Min.	Typ.	Max.	Unit
-V _{DET}	Detector Threshold		4.312	4.400	4.488	V
V _{HYS}	Detector Threshold Hysteresis		0.132	0.220	0.308	V
I _{SS}	Supply Current	V _{DD} =4.24V V _{DD} =6.4V		1.1 1.3	3.3 3.9	μA
V _{DDH}	Maximum Operating Voltage				10	V
V _{DDL}	Minimum Operating Voltage ^{*Note1}	T _{opt} =25°C		0.55	0.70	V
		-40°C ≤ T _{opt} ≤ 85°C		0.65	0.80	
I _{OUT}	Output Current (Driver Output Pin)	Nch V _{DS} =0.10V, V _{DD} =6.5V	2.5			mA
t _{PLH}	Output Delay Time ^{*Note2}				100	μs
Δ-V _{DET} / ΔT _{opt}	Detector Threshold Temperature Coefficient	-40°C ≤ T _{opt} ≤ 85°C		±100		ppm/°C

*Note1: Minimum operating voltage means the value of input voltage when output voltage maintains 0.1V or less. (In the case of Nch Open Drain Output type, the output pin is pulled up with a resistance of 470kΩ to 5.0V.)

*Note2: In the case of CMOS Output type: The time interval between the rising edge of V_{DD} input pulse from 0.7V to (+V_{DET})+2.0V and output voltage level becoming to ((+V_{DET})+2.0V)/2.

In the case of Nch Open Drain Output type: The output pin is pulled up with a resistance of 470kΩ to 5.0V, the time interval between the rising edge of V_{DD} input pulse from 0.7V to (+V_{DET})+2.0V and output voltage level becoming to 2.5V.

TIMING CHART



DEFINITION OF OUTPUT DELAY TIME

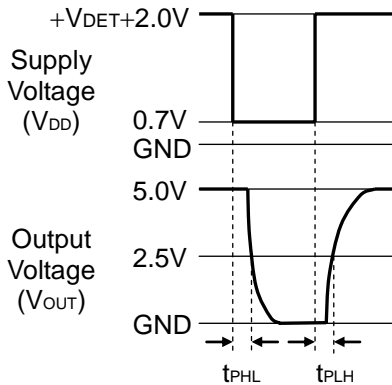
Output Delay Time (t_{PLH}) is defined as follows:

1. In the case of Nch Open Drain Output:(R3111xxxxA/B)

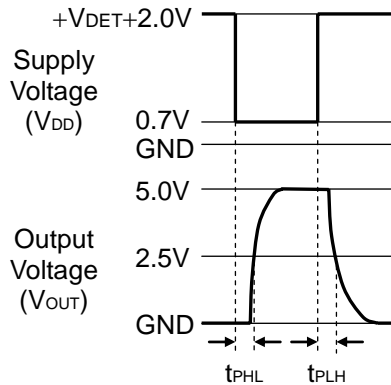
Under the condition of the output pin (OUT) is pulled up through a resistor of 470k Ω to 5V, the time interval between the rising edge of V_{DD} pulse from 0.7V to $(+V_{DET})+2.0V$ and becoming of the output voltage to 2.5V.

2. In the case of CMOS Output:(R3111xxxxC)

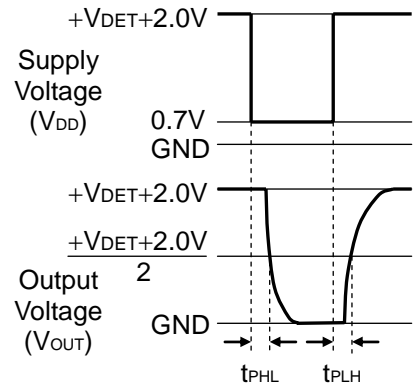
The time interval between the rising edge of V_{DD} pulse from 0.7V to $(+V_{DET})+2.0V$ and becoming of the output voltage to $((+V_{DET})+2.0V)/2$.



**Nch Open Drain Output
(R3111xxxxA)**



**Nch Open Drain Output
(R3111xxxxB)**



**CMOS Output
(R3111xxxxC)**

ELECTRICAL CHARACTERISTICS BY DETECTOR THRESHOLD

● R3111x09x to R3111x60x

Part Number	Detector Threshold			Detector Threshold Hysteresis			Supply Current 1			Supply Current 2																																				
	-V _{DET} [V]			V _{HYS} [V]			I _{SS1} [μA]			I _{SS2} [μA]																																				
	Min.	Typ.	Max.	Min.	Typ.	Max.	Condition	Typ.	Max.	Condition	Typ.	Max.																																		
R3111x09xx	0.882	0.900	0.918	0.027	0.045	0.063	V _{DD} = (-V _{DET}) -0.10V	0.8	2.4	1.0	0.9	2.7																																		
R3111x10xx	0.980	1.000	1.020	0.030	0.050	0.070					0.9	2.7	1.1	3.3																																
R3111x11xx	1.078	1.100	1.122	0.033	0.055	0.077									V _{DD} = (-V _{DET}) -0.13V	1.0	3.0	1.2	3.6																											
R3111x12xx	1.176	1.200	1.224	0.036	0.060	0.084														1.1	3.3	1.3	3.9																							
R3111x13xx	1.274	1.300	1.326	0.039	0.065	0.091																		V _{DD} = (-V _{DET}) -0.16V	1.1	3.3	1.3	3.9																		
R3111x14xx	1.372	1.400	1.428	0.042	0.070	0.098																							1.2	3.6	1.4	4.2														
R3111x15xx	1.470	1.500	1.530	0.045	0.075	0.105																											V _{DD} = (-V _{DET}) -0.20V	1.2	3.6	1.4	4.2									
R3111x16xx	1.568	1.600	1.632	0.048	0.080	0.112																																1.2	3.6	1.4	4.2					
R3111x17xx	1.666	1.700	1.734	0.051	0.085	0.119																																				1.2	3.6	1.4	4.2	
R3111x18xx	1.764	1.800	1.836	0.054	0.090	0.126																																								1.2
R3111x19xx	1.862	1.900	1.938	0.057	0.095	0.133		1.2	3.6	1.4																																				
R3111x20xx	1.960	2.000	2.040	0.060	0.100	0.140					1.2	3.6	1.4	4.2																																
R3111x21xx	2.058	2.100	2.142	0.063	0.105	0.147										1.2	3.6	1.4	4.2																											
R3111x22xx	2.156	2.200	2.244	0.066	0.110	0.154														1.2	3.6	1.4	4.2																							
R3111x23xx	2.254	2.300	2.346	0.069	0.115	0.161																			1.2	3.6	1.4	4.2																		
R3111x24xx	2.352	2.400	2.448	0.072	0.120	0.168																							1.2	3.6	1.4	4.2														
R3111x25xx	2.450	2.500	2.550	0.075	0.125	0.175																												1.2	3.6	1.4	4.2									
R3111x26xx	2.548	2.600	2.652	0.078	0.130	0.182																																1.2	3.6	1.4	4.2					
R3111x27xx	2.646	2.700	2.754	0.081	0.135	0.189																																				1.2	3.6	1.4	4.2	
R3111x28xx	2.744	2.800	2.856	0.084	0.140	0.196																																								1.2
R3111x29xx	2.842	2.900	2.958	0.087	0.145	0.203	1.2	3.6	1.4	4.2																																				
R3111x30xx	2.940	3.000	3.060	0.090	0.150	0.210					1.2	3.6	1.4	4.2																																
R3111x31xx	3.038	3.100	3.162	0.093	0.155	0.217									1.2	3.6	1.4	4.2																												
R3111x32xx	3.136	3.200	3.264	0.096	0.160	0.224													1.2	3.6	1.4	4.2																								
R3111x33xx	3.234	3.300	3.366	0.099	0.165	0.231																	1.2	3.6	1.4	4.2																				
R3111x34xx	3.332	3.400	3.468	0.102	0.170	0.238																					1.2	3.6	1.4	4.2																
R3111x35xx	3.430	3.500	3.570	0.105	0.175	0.245																									1.2	3.6	1.4	4.2												
R3111x36xx	3.528	3.600	3.672	0.108	0.180	0.252																													1.2	3.6	1.4	4.2								
R3111x37xx	3.626	3.700	3.774	0.111	0.185	0.259																																	1.2	3.6	1.4	4.2				
R3111x38xx	3.724	3.800	3.876	0.114	0.190	0.266																																					1.2	3.6	1.4	4.2
R3111x39xx	3.822	3.900	3.978	0.117	0.195	0.273	1.2	3.6	1.4	4.2																																				
R3111x40xx	3.920	4.000	4.080	0.120	0.200	0.280					1.2	3.6	1.4	4.2																																
R3111x41xx	4.018	4.100	4.182	0.123	0.205	0.287									1.2	3.6	1.4	4.2																												
R3111x42xx	4.116	4.200	4.284	0.126	0.210	0.294													1.2	3.6	1.4	4.2																								
R3111x43xx	4.214	4.300	4.386	0.129	0.215	0.301																	1.2	3.6	1.4	4.2																				
R3111x44xx	4.312	4.400	4.488	0.132	0.220	0.308																					1.2	3.6	1.4	4.2																
R3111x45xx	4.410	4.500	4.590	0.135	0.225	0.315																									1.2	3.6	1.4	4.2												
R3111x46xx	4.508	4.600	4.692	0.138	0.230	0.322																													1.2	3.6	1.4	4.2								
R3111x47xx	4.606	4.700	4.794	0.141	0.235	0.329																																	1.2	3.6	1.4	4.2				
R3111x48xx	4.704	4.800	4.896	0.144	0.240	0.336																																					1.2	3.6	1.4	4.2
R3111x49xx	4.802	4.900	4.998	0.147	0.245	0.343	1.2	3.6	1.4	4.2																																				
R3111x50xx	4.900	5.000	5.100	0.150	0.250	0.350					1.2	3.6	1.4	4.2																																
R3111x51xx	4.998	5.100	5.202	0.153	0.255	0.357									1.2	3.6	1.4	4.2																												
R3111x52xx	5.096	5.200	5.304	0.156	0.260	0.364													1.2	3.6	1.4	4.2																								
R3111x53xx	5.194	5.300	5.406	0.159	0.265	0.371																	1.2	3.6	1.4	4.2																				
R3111x54xx	5.292	5.400	5.508	0.162	0.270	0.378																					1.2	3.6	1.4	4.2																
R3111x55xx	5.390	5.500	5.610	0.165	0.275	0.385																									1.2	3.6	1.4	4.2												
R3111x56xx	5.488	5.600	5.712	0.168	0.280	0.392																													1.2	3.6	1.4	4.2								
R3111x57xx	5.586	5.700	5.814	0.171	0.285	0.399																																	1.2	3.6	1.4	4.2				
R3111x58xx	5.684	5.800	5.916	0.174	0.290	0.406																																					1.2	3.6	1.4	4.2
R3111x59xx	5.782	5.900	6.018	0.177	0.295	0.413	1.2	3.6	1.4	4.2																																				
R3111x60xx	5.880	6.000	6.120	0.180	0.300	0.420					1.2	3.6	1.4	4.2																																

*1) In the case of CMOS output type; when the voltage is forced to V_{DD} from 0.7V to (+V_{DET})+2.0V, time interval between the rising edge of V_{DD} and the reaching point at ((+V_{DET})+2.0V)/2. In the case of Nch open drain output type : The output pin is pulled up to 5V through 470kΩ, and when the voltage is forced to V_{DD} from 0.7V to (+V_{DET})+2.0V, time interval between the rising edge of V_{DD} and the reaching point at ((+V_{DET})+2.0V)/2.

*2) V_{DD} value when Output Voltage is equal or less than 0.1V. In the case of Nch open drain output type, the output pin is pulled up to 5V through 470kΩ resistor.

Condition 1: T_{opt}=25°C

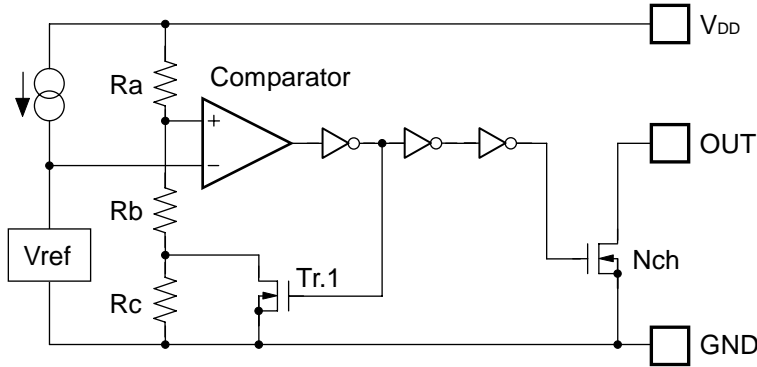
Condition 2: -40°C ≤ T_{opt} ≤ 85°C

Output Current 1			Output Current 2 *3			Output Delay Time	Minimum Operating Voltage		Detector Threshold Temperature Coefficient		
I _{OUT1} [mA]			I _{OUT2} [mA]			t _{PLH} [μs]	V _{DDL} [V]		Δ-V _{DET} /ΔT _{opt} [ppm/°C]		
Condition	Min.	Typ.	Condition	Min.	Typ.	Max.	Typ.	Max.	Condition	Typ.	
<A/C version> Nch V _{DS} =0.05V V _{DD} =0.7V	0.01	0.05	V _{DD} = 0.85V	0.05	0.5						
			V _{DD} = 1.0V	0.2	1.0						
<B version> Nch V _{DS} =0.10V V _{DD} =6.5V	2.5	-	Nch V _{DS} = 0.5V	V _{DD} = 1.5V	1.0	2.0	100 *1	*2 Condition 1 0.55	*2 Condition 1 0.70	-40°C ≦ T _{opt} ≦ 85°C	±100
								Condition 2 0.65	Condition 2 0.80		

*3) Only A/C versions.

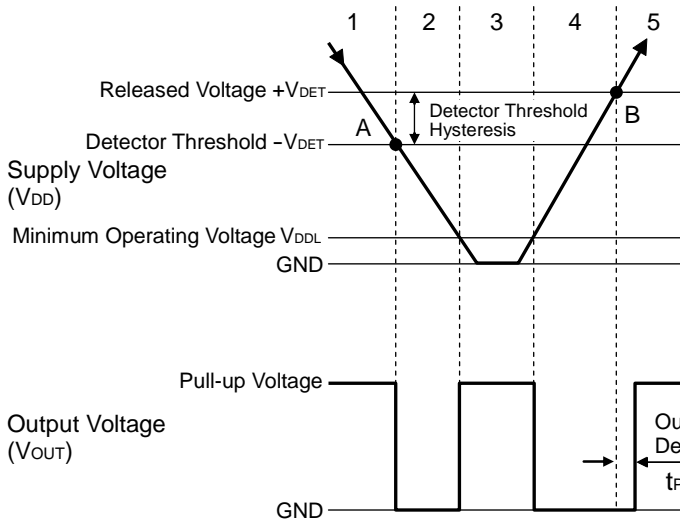
OPERATION

• Operation of R3111xxxxA



OUT pin should be pulled-up to V_{DD} or an external voltage level.

Block Diagram (R3111xxxxA)



Step	1	2	3	4	5
Comparator (+) Pin Input Voltage	I	II	II	II	I
Comparator Output	H	L	Indefinite	L	H
Tr.1	OFF	ON	Indefinite	ON	OFF
Output Tr. Nch	OFF	ON	Indefinite	ON	OFF

$$I \quad \frac{R_b + R_c}{R_a + R_b + R_c} \times V_{DD}$$

$$II \quad \frac{R_b}{R_a + R_b} \times V_{DD}$$

Operation Diagram

• Explanation of operation

Step 1. The output voltage is equal to the pull-up voltage.

Step 2. At Point "A", $V_{ref} \geq V_{DD} \times (R_b + R_c) / (R_a + R_b + R_c)$ is true, as a result, the output of comparator is reversed from "H" to "L", therefore the output voltage becomes the GND level. The voltage level of Point A means a detector threshold voltage ($-V_{DET}$).

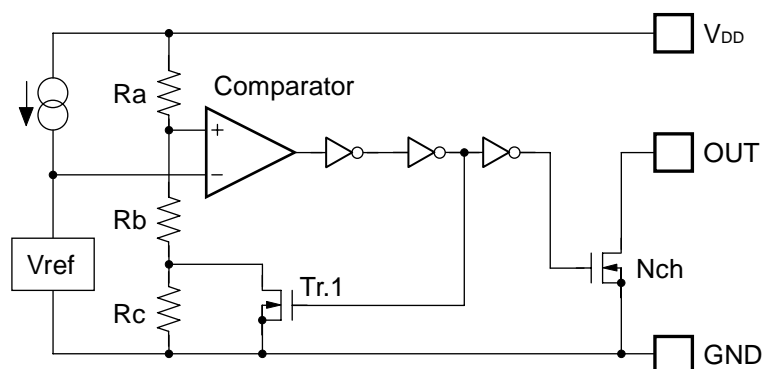
Step 3. When the supply voltage is lower than the minimum operating voltage, the operation of the output transistor becomes indefinite. The output voltage is equal to the pull-up voltage.

Step 4. The output Voltage is equal to the GND level.

Step 5. At Point "B", $V_{ref} \leq V_{DD} \times R_b / (R_a + R_b)$ is true, as a result, the output of comparator is reversed from "L" to "H", then the output voltage is equal to the pull-up voltage. The voltage level of Point B means a released voltage ($+V_{DET}$).

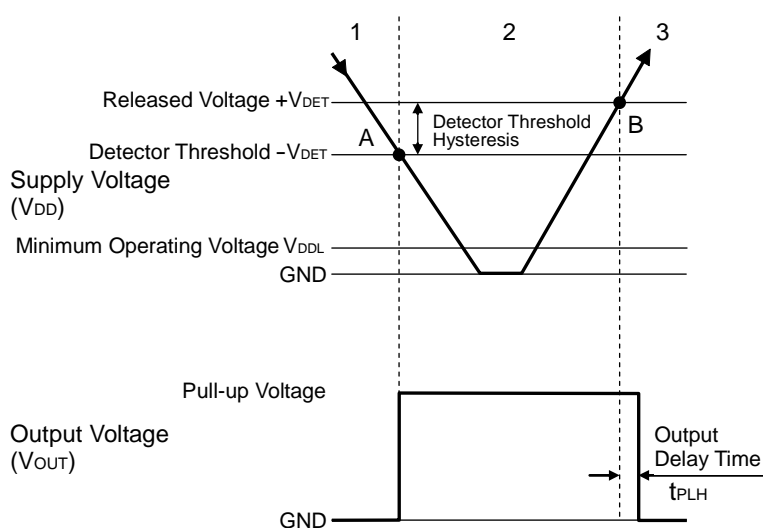
*) The difference between a released voltage and a detector threshold voltage is a detector threshold hysteresis.

• Operation of R3111xxxxB



OUT pin should be pulled-up to V_{DD} or an external voltage level.

Block Diagram (R3111xxxxB)



Step	1	2	3	
Comparator (-) Pin Input Voltage	I	II	I	
Comparator Output	L	H	L	
Tr.1	OFF	ON	OFF	
Output Tr.	Nch	ON	OFF	ON

$$I \quad \frac{R_b + R_c}{R_a + R_b + R_c} \times V_{DD}$$

$$II \quad \frac{R_b}{R_a + R_b} \times V_{DD}$$

Operation Diagram

• Explanation of operation

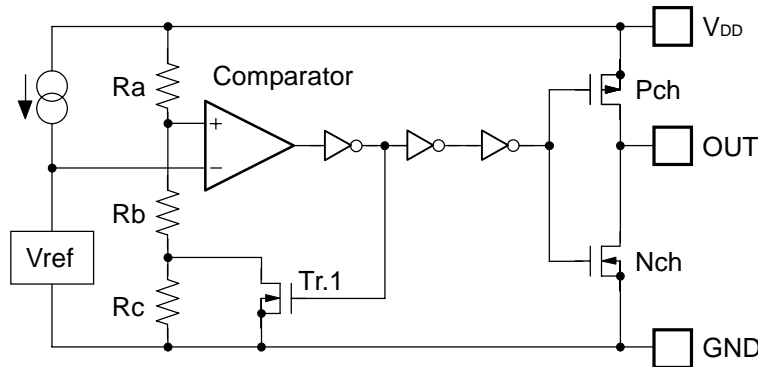
Step 1. The output voltage is equal to the GND level.

Step 2. At Point "A", $V_{ref} \geq V_{DD} \times (R_b + R_c) / (R_a + R_b + R_c)$ is true, as a result, the output of comparator is reversed from "L" to "H", therefore the output voltage becomes the pull-up voltage. The voltage level of Point A means a detector threshold voltage ($-V_{DET}$).

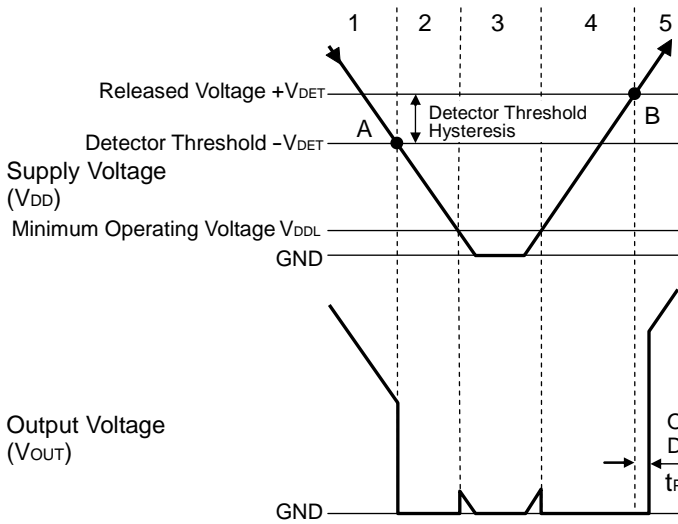
Step 3. At Point "B", $V_{ref} \leq V_{DD} \times R_b / (R_a + R_b)$ is true, as a result, the output of comparator is reversed from "H" to "L", then the output voltage is equal to the GND level. The voltage level of Point B means a released voltage ($+V_{DET}$).

*) The difference between a released voltage and a detector threshold voltage is a detector threshold hysteresis.

• Operation of R3111xxxxC



Block Diagram (R3111xxxxC)



Step	1	2	3	4	5	
Comparator (+) Pin Input Voltage	I	II	II	II	I	
Comparator Output	H	L	Indefinite	L	H	
Tr.1	OFF	ON	Indefinite	ON	OFF	
Output Tr.	Pch	ON	OFF	Indefinite	OFF	ON
	Nch	OFF	ON	Indefinite	ON	OFF

$$I \quad \frac{R_b + R_c}{R_a + R_b + R_c} \times V_{DD}$$

$$II \quad \frac{R_b}{R_a + R_b} \times V_{DD}$$

Operation Diagram

• Explanation of operation

Step 1. The output voltage is equal to the supply voltage (V_{DD}).

Step 2. At Point "A", $V_{ref} \geq V_{DD} \times (R_b + R_c) / (R_a + R_b + R_c)$ is true, as a result, the output of comparator is reversed from "H" to "L", therefore the output voltage becomes the GND level. The voltage level of Point A means a detector threshold voltage ($-V_{DET}$).

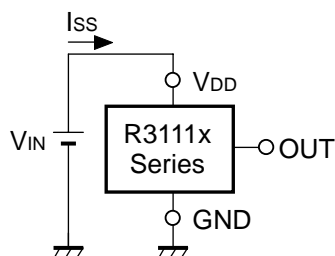
Step 3. When the supply voltage is lower than the minimum operating voltage, the operation of the output transistor becomes indefinite.

Step 4. The output Voltage is equal to the GND level.

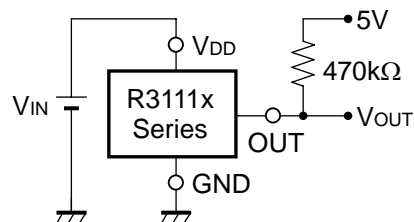
Step 5. At Point "B", $V_{ref} \leq V_{DD} \times R_b / (R_a + R_b)$ is true, as a result, the output of comparator is reversed from "L" to "H", then the output voltage is equal to the supply voltage (V_{DD}). The voltage level of Point B means a released voltage ($+V_{DET}$).

*) The difference between a released voltage and a detector threshold voltage is a detector threshold hysteresis.

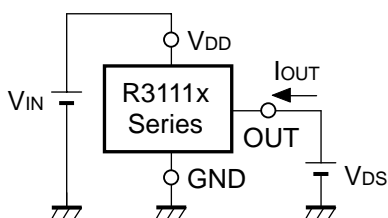
TEST CIRCUITS



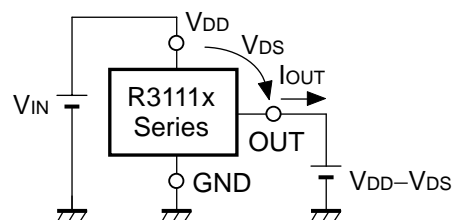
Supply Current Test Circuit



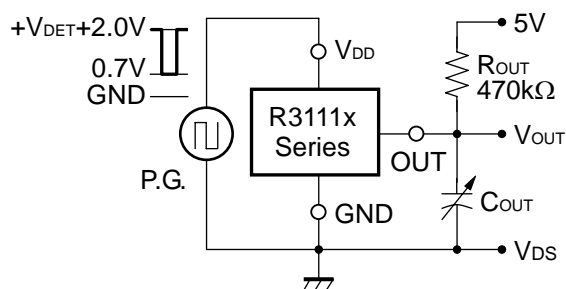
Detector Threshold Test Circuit
(Pull-up circuit is not necessary for CMOS Output type.)



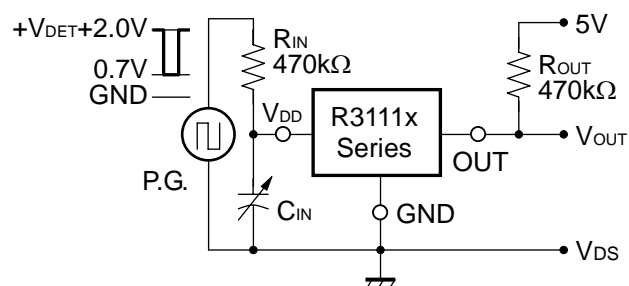
Nch Driver Output Current Test Circuit



Pch Driver Output Current Test Circuit
*Apply to CMOS Output type only



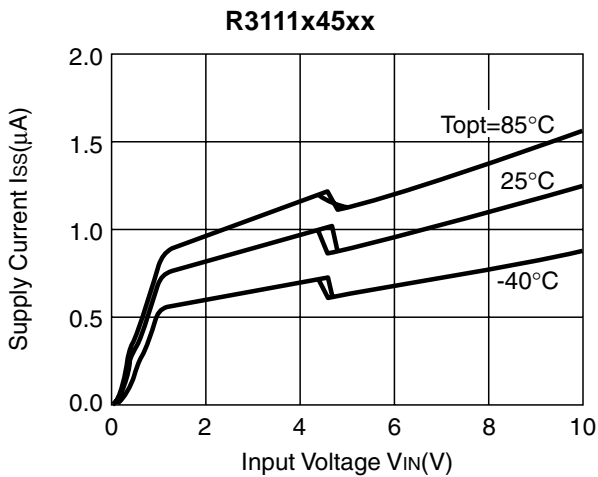
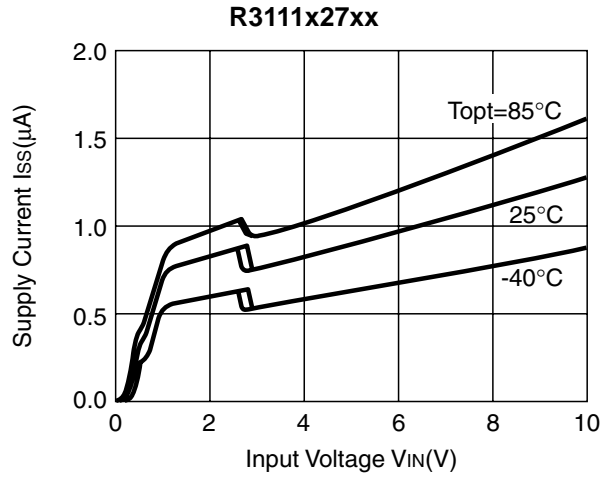
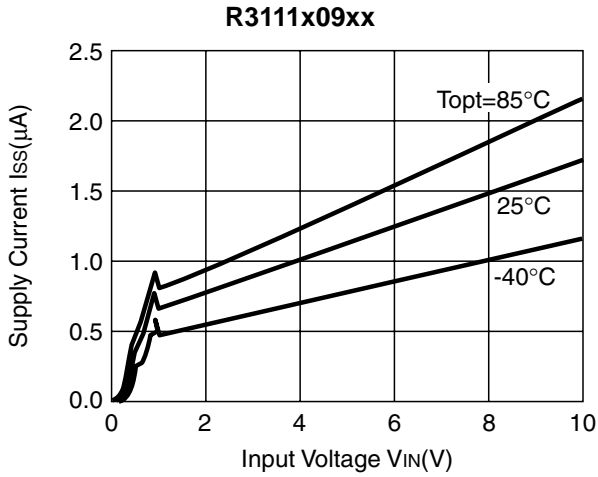
Output Delay Time Test Circuit (1)
(Pull-up circuit is not necessary for CMOS Output type.)



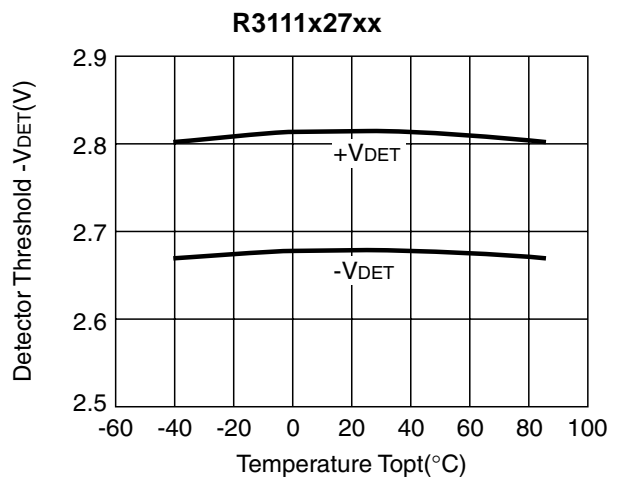
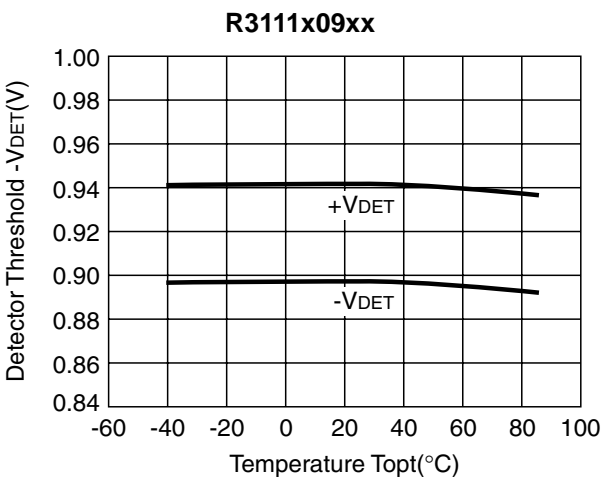
Output Delay Time Test Circuit (2)

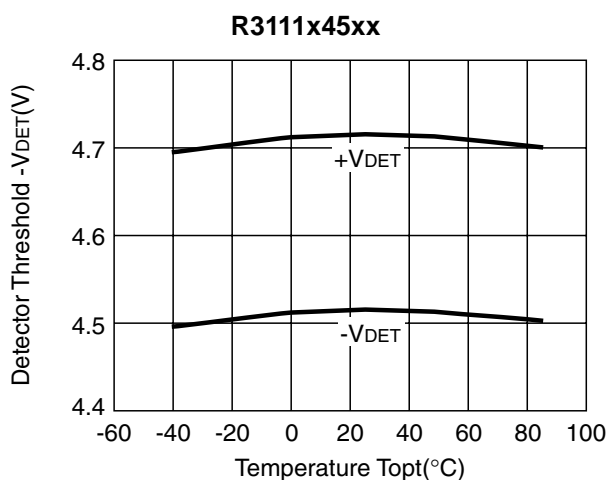
TYPICAL CHARACTERISTICS

1) Supply Current vs. Input Voltage

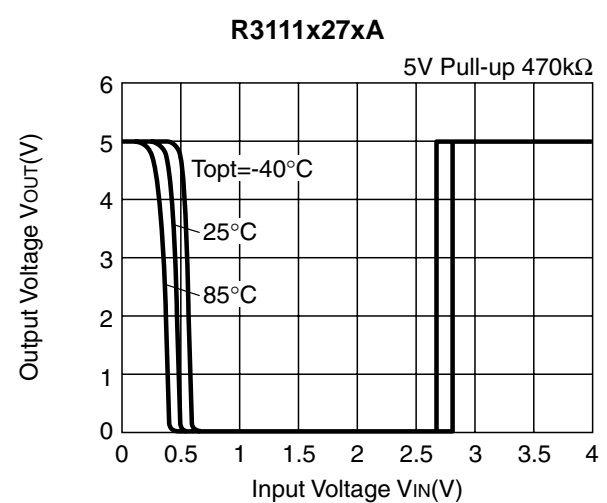
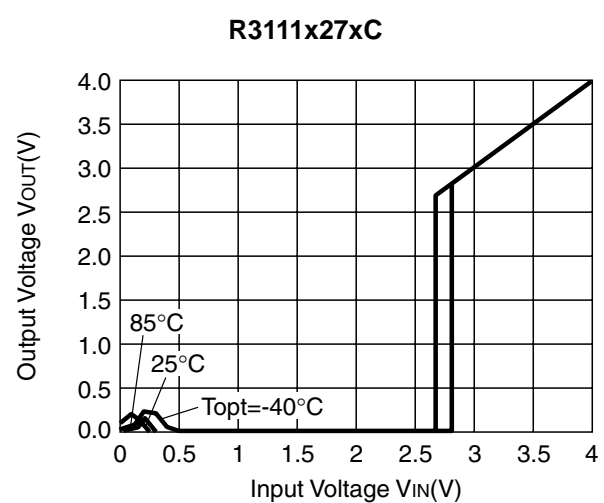
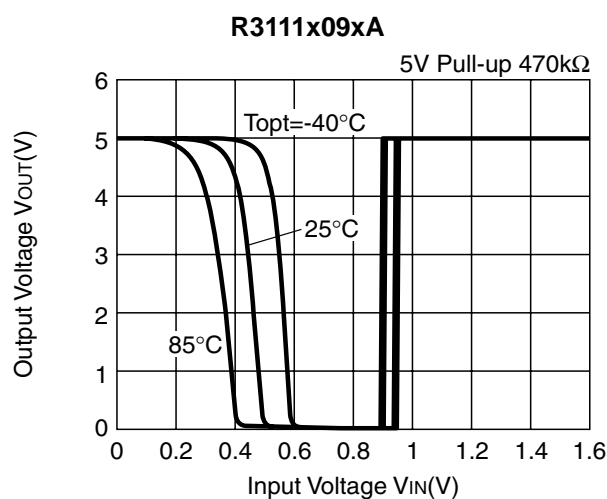
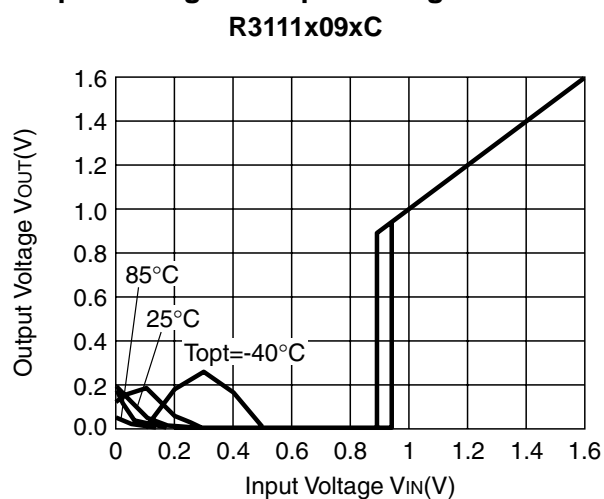


2) Detector Threshold Hysteresis vs. Temperature

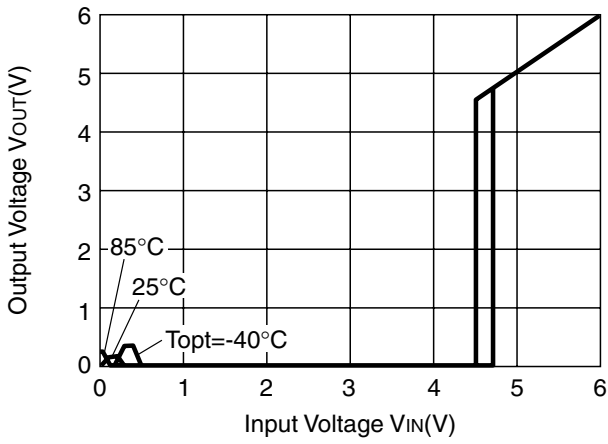




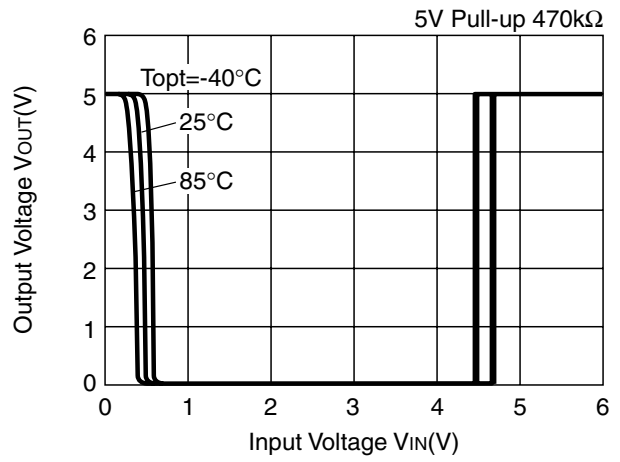
3) Output Voltage vs. Input Voltage



R3111x45xC

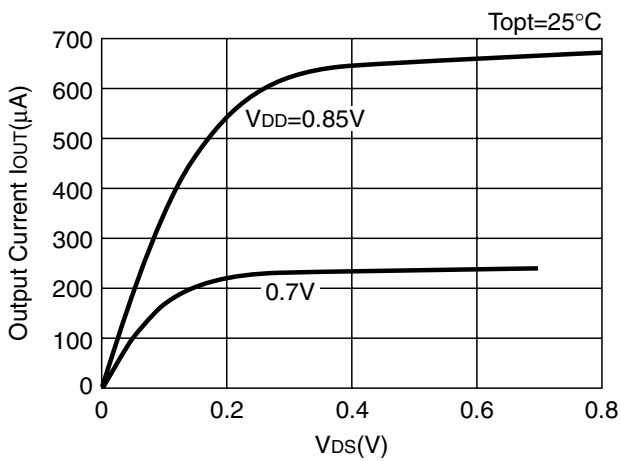


R3111x45xA

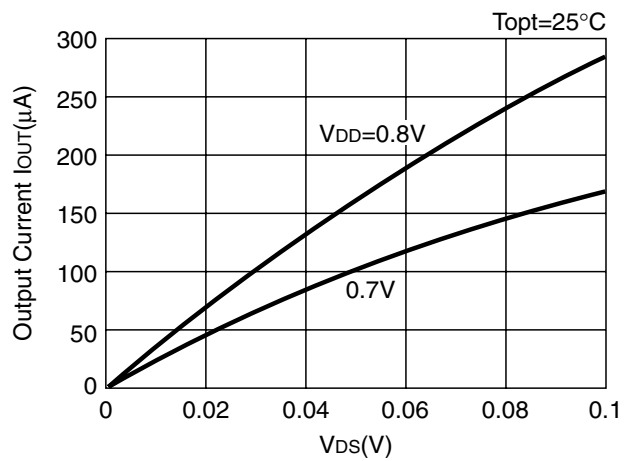


4) Nch Driver Output Current vs. V_{DS}

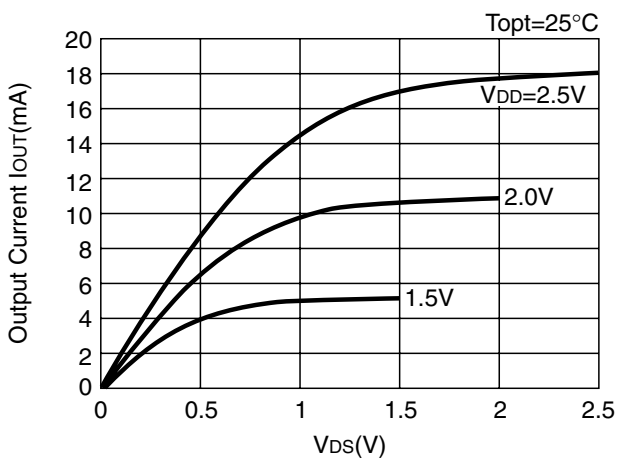
R3111x09xx



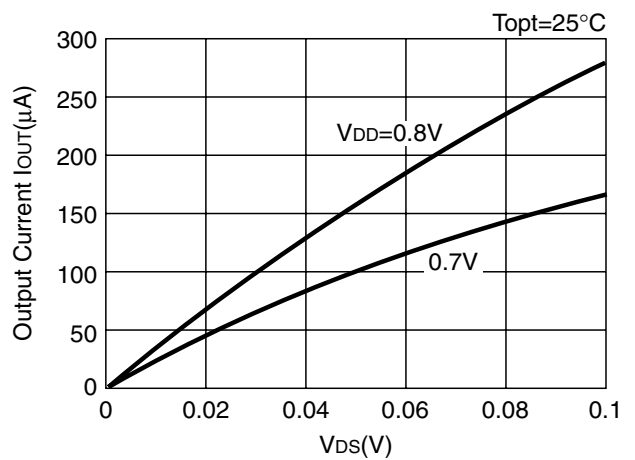
R3111x09xx

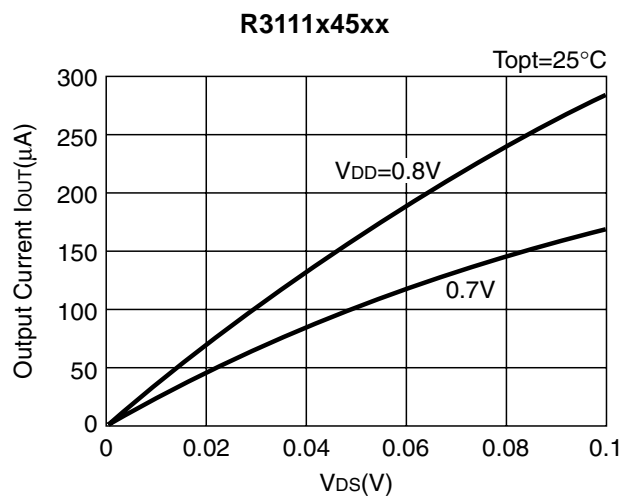
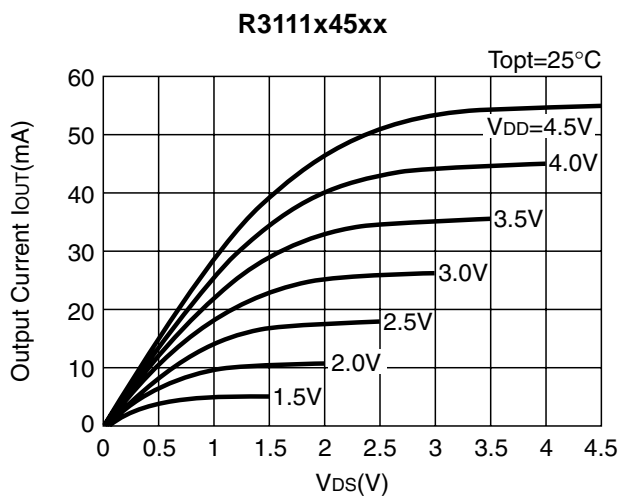


R3111x27xx

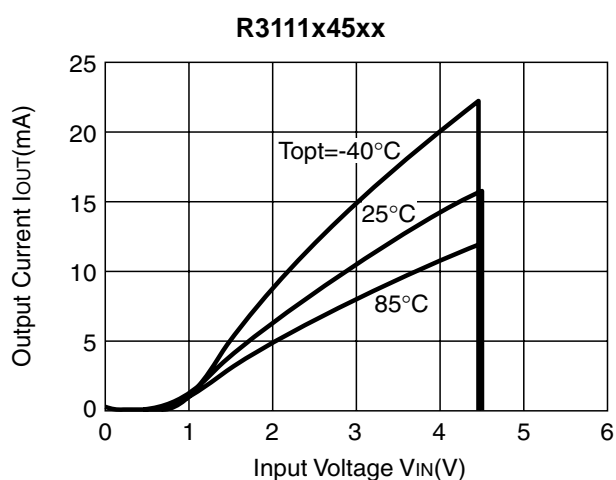
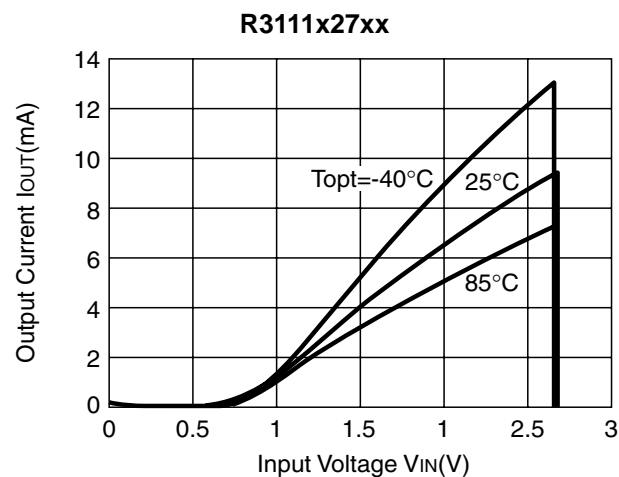
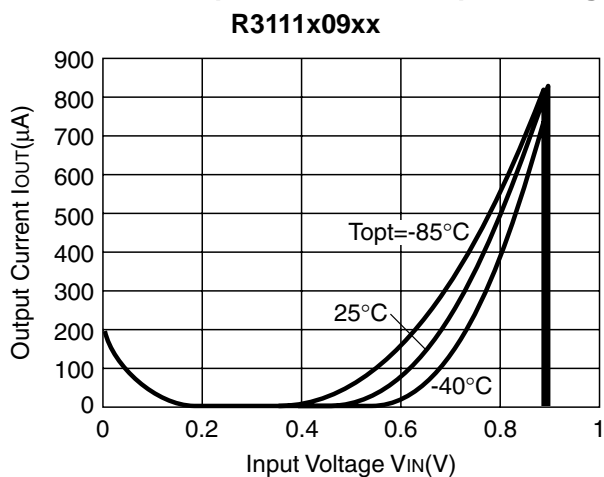


R3111x27xx



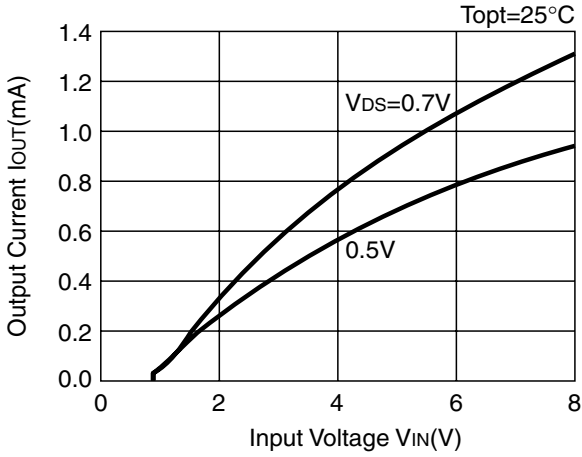


5) Nch Driver Output Current vs. Input Voltage

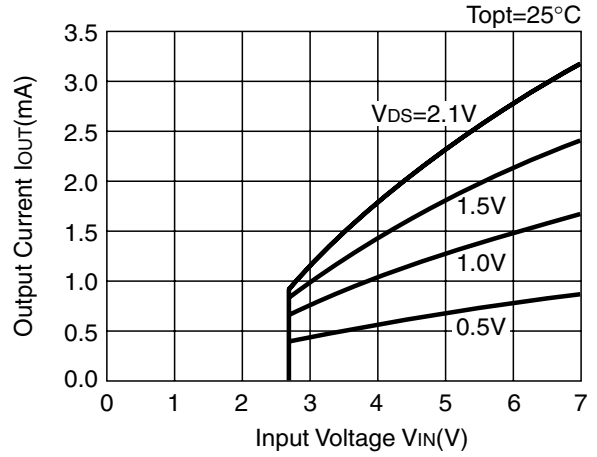


6) Pch Driver Output Current vs. Input Voltage

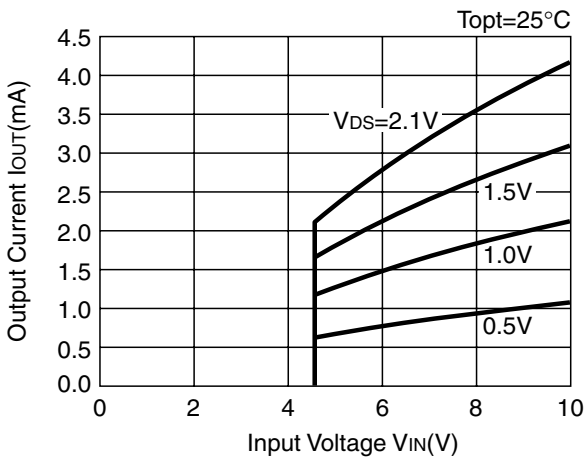
R3111x09xC



R3111x27xC

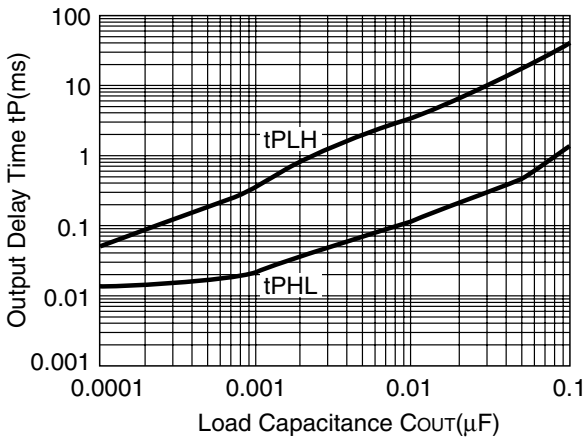


R3111x45xC

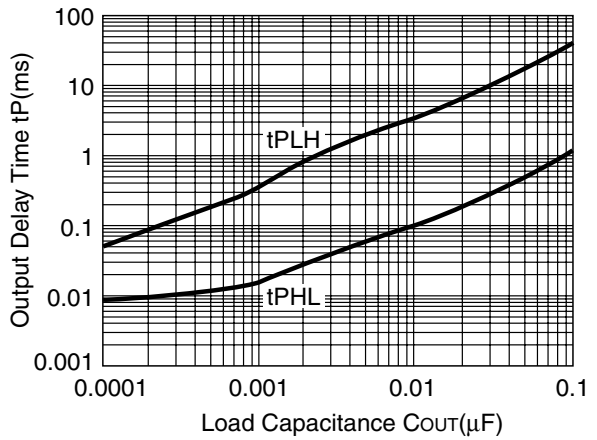


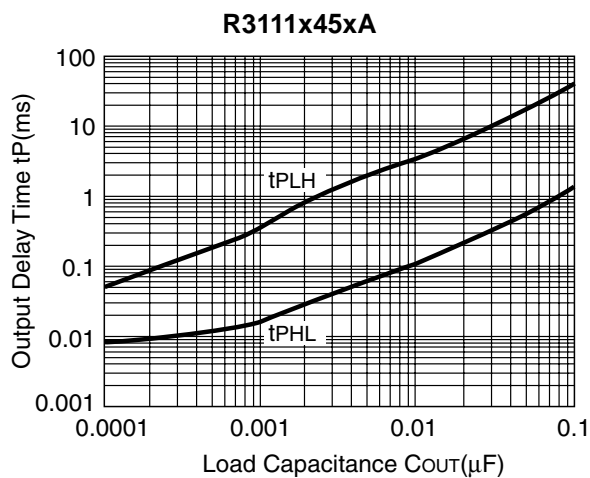
7) Output Delay Time vs. Load Capacitance (Topt=25°C)

R3111x09xA

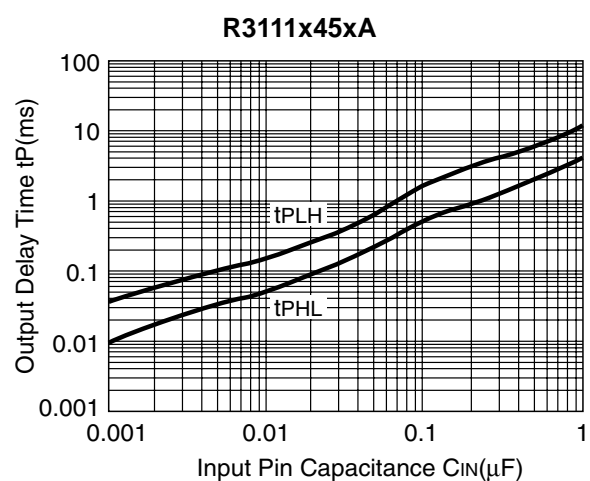
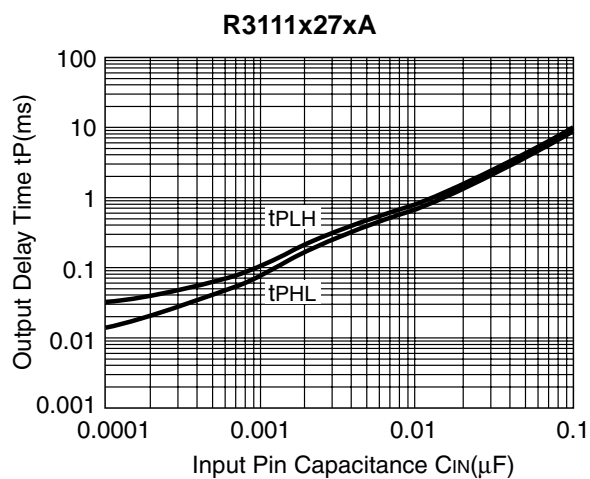
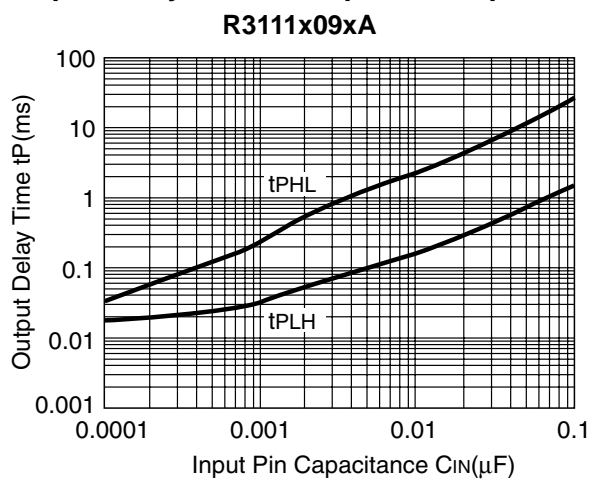


R3111x27xA





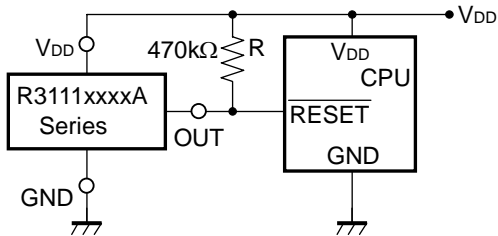
8) Output Delay Time vs. Input Pin Capacitance



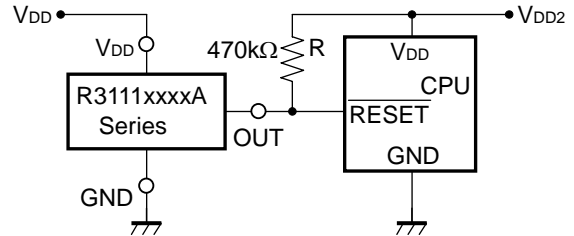
TYPICAL APPLICATION

• R3111xxxxA CPU Reset Circuit (Nch Open Drain Output)

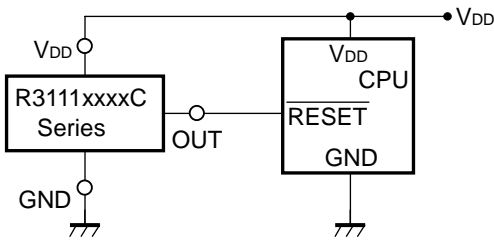
Case 1. Input Voltage to R3111xxxxA is equal to Input Voltage to CPU



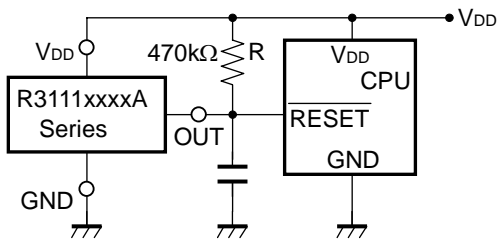
Case 2. Input Voltage to R3111xxxxA is unequal to Input Voltage to CPU



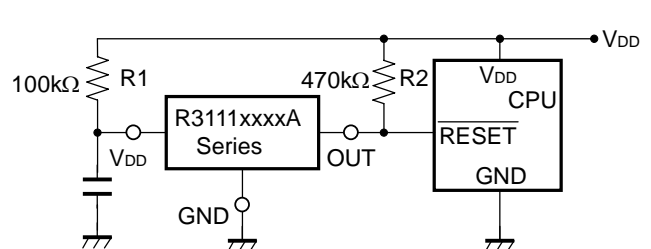
• R3111xxxxC CPU Reset Circuit (CMOS Output)



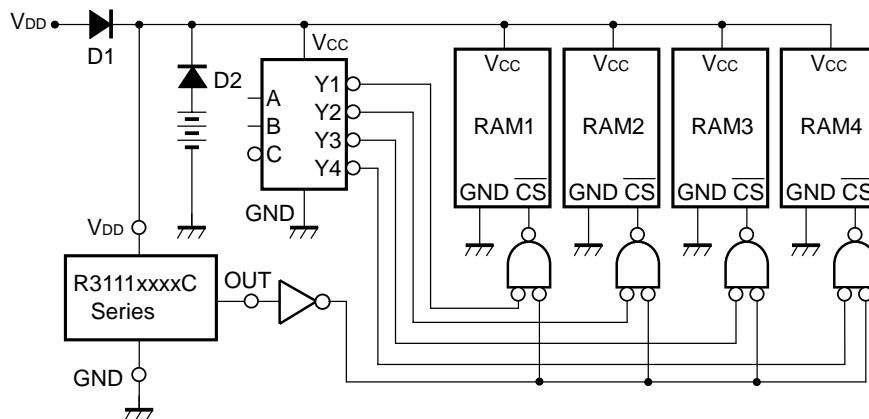
• R3111xxxxA Output Delay Time Circuit 1 (Nch Open Drain Output)



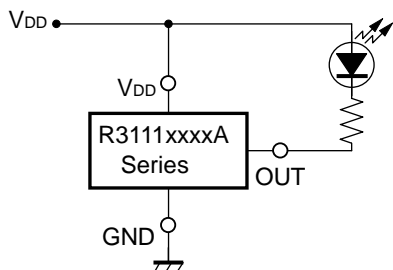
• R3111xxxxA Output Delay Time Circuit 2 (Nch Open Drain Output)



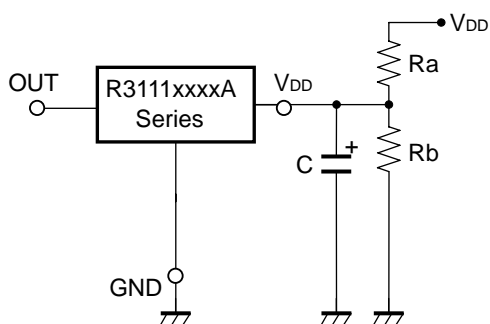
• Memory Back-up Circuit



- **Voltage level Indicator Circuit (lighted when the power runs out)**
(Nch Open Drain Output)



- **Detector Threshold Adjustable Circuit**
(Nch Open Drain Output)

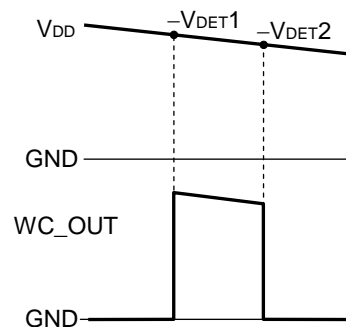
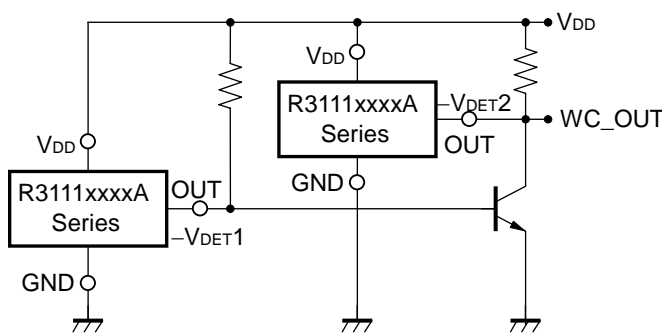


Adjusted Detector Threshold
 $= (-V_{DET}) \times (Ra + Rb) / Rb$

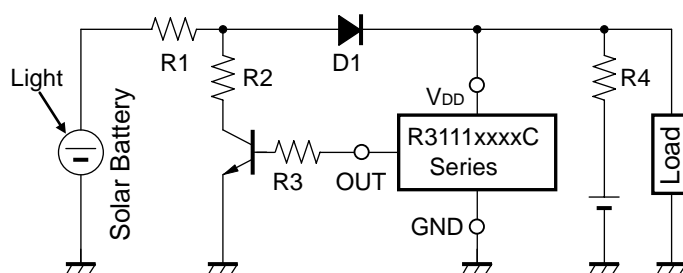
Hysteresis Voltage
 $= (V_{HYS}) \times (Ra + Rb) / Rb$

*) If the value of Ra is set excessively large, voltage drop may occur caused by the supply current of IC itself, and detector threshold may vary.

- **Window Comparator Circuit**
(Nch Open Drain Output)



- **Over-charge Preventing Circuit**



TECHNICAL NOTES

When R3111xxxxA/B (Nch Open Drain Output Type) is used in Figure A or Figure B, if impedance of Voltage Supply pin, V_{DD} and V_{DD} of this IC is large, detector threshold level would shift by voltage dropdown caused by the consumption current of the IC itself. Released voltage may also shift and delay time for start-up might be generated by this usage.

When R3111xxxxC (CMOS Output Type) is used in Figure A or Figure B, Output level could be unstable by cross conduction current which is generated at detector threshold level or at released voltage level, therefore, do not use this IC with the connection in Figure A or Figure B.

The connection in Figure C may cause the oscillation in both R3111xxxxC (CMOS Output) and R3111xxxxA/B (Nch Open Drain Output), therefore do not use R3111x Series with the connection in Figure C.

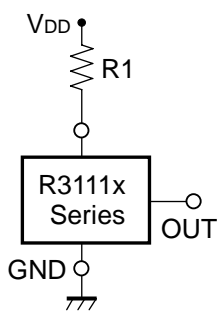


Figure A

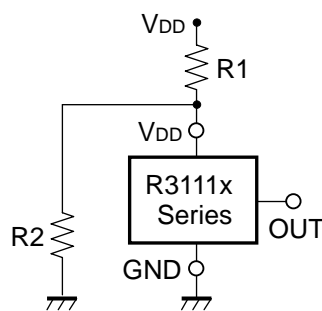


Figure B

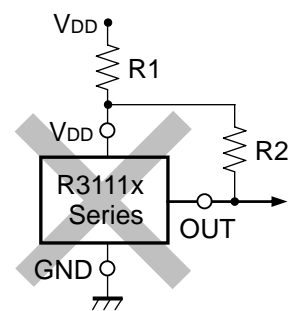


Figure C



1. The products and the product specifications described in this document are subject to change or discontinuation of production without notice for reasons such as improvement. Therefore, before deciding to use the products, please refer to Ricoh sales representatives for the latest information thereon.
2. The materials in this document may not be copied or otherwise reproduced in whole or in part without prior written consent of Ricoh.
3. Please be sure to take any necessary formalities under relevant laws or regulations before exporting or otherwise taking out of your country the products or the technical information described herein.
4. The technical information described in this document shows typical characteristics of and example application circuits for the products. The release of such information is not to be construed as a warranty of or a grant of license under Ricoh's or any third party's intellectual property rights or any other rights.
5. The products listed in this document are intended and designed for use as general electronic components in standard applications (office equipment, telecommunication equipment, measuring instruments, consumer electronic products, amusement equipment etc.). Those customers intending to use a product in an application requiring extreme quality and reliability, for example, in a highly specific application where the failure or misoperation of the product could result in human injury or death (aircraft, spacevehicle, nuclear reactor control system, traffic control system, automotive and transportation equipment, combustion equipment, safety devices, life support system etc.) should first contact us.
6. We are making our continuous effort to improve the quality and reliability of our products, but semiconductor products are likely to fail with certain probability. In order to prevent any injury to persons or damages to property resulting from such failure, customers should be careful enough to incorporate safety measures in their design, such as redundancy feature, firecontainment feature and fail-safe feature. We do not assume any liability or responsibility for any loss or damage arising from misuse or inappropriate use of the products.
7. Anti-radiation design is not implemented in the products described in this document.
8. Please contact Ricoh sales representatives should you have any questions or comments concerning the products or the technical information.

RICOH COMPANY., LTD. Electronic Devices Company



■ Ricoh presented with the Japan Management Quality Award for 1999.
Ricoh continually strives to promote customer satisfaction, and shares the achievements of its management quality improvement program with people and society.



■ Ricoh awarded ISO 14001 certification.
The Ricoh Group was awarded ISO 14001 certification, which is an international standard for environmental management systems, at both its domestic and overseas production facilities. Our current aim is to obtain ISO 14001 certification for all of our business offices.

<http://www.ricoh.com/LSI/>

RICOH COMPANY, LTD. Electronic Devices Company

● **Shin-Yokohama office (International Sales)**
3-2-3, Shin-Yokohama, Kohoku-ku, Yokohama City, Kanagawa 222-8530, Japan
Phone: +81-45-477-1697 Fax: +81-45-477-1698

RICOH EUROPE (NETHERLANDS) B.V.

● **Semiconductor Support Centre**
Prof. W.H.Keesomlaan 1, 1183 DL Amstelveen, The Netherlands
P.O.Box 114, 1180 AC Amstelveen
Phone: +31-20-5474-309 Fax: +31-20-5474-791

RICOH ELECTRONIC DEVICES KOREA Co., Ltd.

11 floor, Haesung 1 building, 942, Daechidong, Gangnamgu, Seoul, Korea
Phone: +82-2-2135-5700 Fax: +82-2-2135-5705

RICOH ELECTRONIC DEVICES SHANGHAI Co., Ltd.

Room403, No.2 Building, 690#Bi Bo Road, Pu Dong New district, Shanghai 201203,
People's Republic of China
Phone: +86-21-5027-3200 Fax: +86-21-5027-3299

RICOH COMPANY, LTD. Electronic Devices Company

● **Taipei office**
Room109, 10F-1, No.51, Hengyang Rd., Taipei City, Taiwan (R.O.C.)
Phone: +886-2-2313-1621/1622 Fax: +886-2-2313-1623



Ricoh completed the organization of the Lead-free production for all of our products. After Apr. 1, 2006, we will ship out the lead free products only. Thus, all products that will be shipped from now on comply with RoHS Directive.