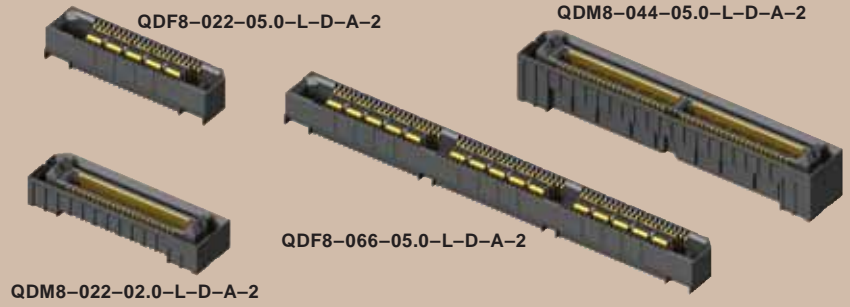




(0,80mm) .0315"

QDM8, QDF8 SERIES



# DUAL GROUND PLANE HEADER & SOCKET

**QDM8 Board Mates:**

QDF8

**QDF8 Board Mates:**

QDM8

## SPECIFICATIONS

For complete specifications and recommended PCB layouts see [www.samtec.com?QDM8](http://www.samtec.com?QDM8) or [www.samtec.com?QDF8](http://www.samtec.com?QDF8)

**Insulator Material:**



Black LCP

**Terminal & Ground Plane Material (QDM8):**

Phosphor Bronze

**Contact & Ground Plane Material (QDF8):**

Phosphor Bronze

**Plating:**

Au or Sn over

50µ" (1,27µm) Ni

**Current Rating:**

1.6A @ 30° temperature rise,

6 contact energized

**Operating Temp Range:**

-55°C to +125°C

**Voltage Rating:**

200 VAC

**Max Cycles:**

Testing Now!

**RoHS Compliant:**

Yes

**Processing:**

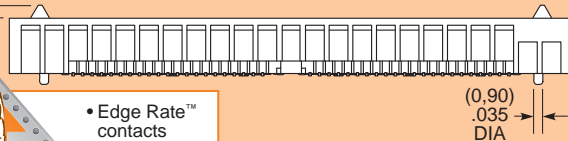
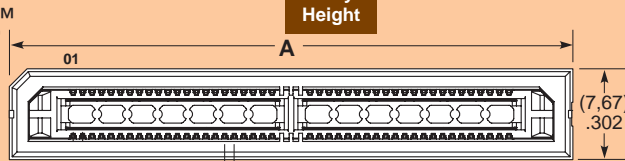
Lead-Free Solderable:

Yes

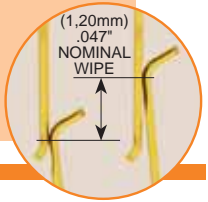
**SMT Lead Coplanarity:**

(0,10mm) .004" max (022-044)

(0,15mm) .006" max (066)



- Edge Rate™ contacts
- Increased contact wipe



NO. OF POSITIONS	A
-022	(27,58) 1.086
-044	(47,58) 1.873
-066	(67,58) 2.661

LEAD STYLE	B	C
-02.0	(4,86) .191	(5,96) .235
-05.0	(7,86) .309	(8,96) .353

**QDM8** — **POSITIONS PER ROW** — **LEAD STYLE** — **PLATING OPTION** — **D** — **A** — **SOLDER TYPE** — **OTHER OPTION**

**-022, -044, -066**  
(44 total positions per bank)

**-02.0**  
= 2mm Body Height

**-05.0**  
= 5mm Body Height

**-L**  
= 10µ" (0,25µm) Gold on Signal Pins and Ground Plane, Matte Tin on tails

**-2**  
= Lead-Free Tin Alloy 96.5% Sn/ 3% Ag/0.5% Cu Solder Charge

**-K**  
= (9,00mm) .354" DIA Polyimide Film Pick & Place Pad

**-TR**  
= Tape & Reel

MATED HEIGHT*	
QDM8 LEAD STYLE	QDF8 LEAD STYLE
-02.0	(7,00) .276
-05.0	(10,00) .394

\*Processing conditions will affect mated height.

**QDF8** — **POSITIONS PER ROW** — **LEAD STYLE** — **PLATING OPTION** — **D** — **A** — **SOLDER TYPE** — **OTHER OPTION**

**-022, -044, -066**  
(44 total positions per bank)

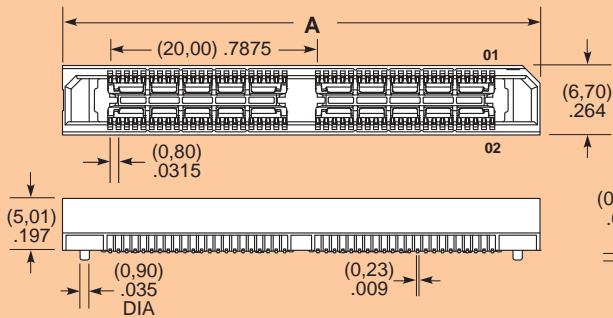
**-05.0**  
= 5mm Body Height

**-L**  
= 10µ" (0,25µm) Gold on Signal Pins and Ground Plane, Matte Tin on tails

**-2**  
= Lead-Free Tin Alloy 96.5% Sn/ 3% Ag/0.5% Cu Solder Charge

**-K**  
= (7,00mm) .275" DIA Polyimide Film Pick & Place Pad

**-TR**  
= Tape & Reel



NO. OF POSITIONS	A
-022	(26,00) 1.024
-044	(46,00) 1.811
-066	(66,00) 2.598

**Note:** Some lengths, styles and options are non-standard, non-returnable.

Due to technical progress, all designs, specifications and components are subject to change without notice.

[WWW.SAMTEC.COM](http://WWW.SAMTEC.COM)