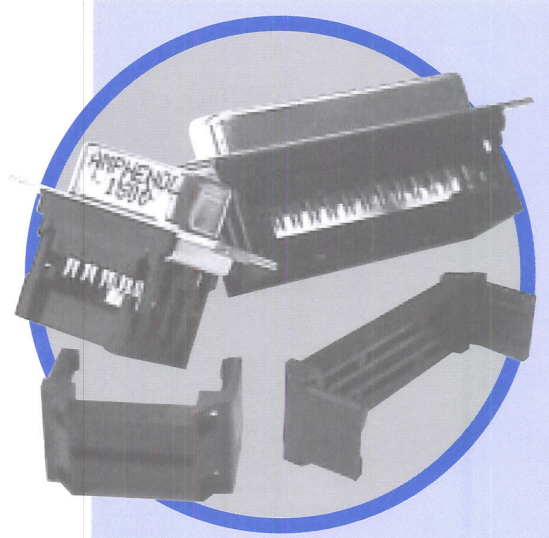


# DFR

D-Sub connectors - Stamped and Formed Contacts

## FLAT RIBBON D-SUB CONNECTORS



CHARACTERISTICS

### Specifications

- Connectors according to MIL C24308

Materials and Platings	
<b>Shells</b>	Steel with nickel plating
<b>Insulator</b>	Glass-filled thermoplastic, UL 94V-0
<b>Pin contacts</b>	Brass, selected gold in mating area; 2.54µm (100µ") min. tin on termination area over 1.27µm (50µ") min. nickel
<b>Socket contact</b>	Phosphor bronze, selected gold in mating area; 2.54µm (100µ") min. tin on termination area over 1.27µm (50µ") min. nickel
<b>Rear insert</b>	Brass, 2.54µm (100µ") min. nickel plated
<b>Screwlock</b>	Brass, 2.54µm (100µ") min. nickel plated

Electrical Data	
<b>Current rating</b>	5A
<b>Voltage rating</b>	250V AC/rms 60Hz
<b>Withstanding voltage</b>	1000V AC/rms 60Hz for one minute
<b>Insulation resistance</b>	1000MΩ
<b>Contact resistance</b>	20mΩ max

Climatic Data	
<b>Operating temperature</b>	-40°C to +125°C

Mechanical Data		
<b>Single contact insertion force</b>	0.54kg (1.19lb) max	
<b>Single contact withdrawal force</b>	0.06kg (0.13lb) min	
<b>Mating and unmating force</b>		
Unit: kg ( lb)		
No. of Cts	Mate (max)	Unmate (min)
9 (size E)	3.05 (6.74)	0.36 (0.79)
15 (size A)	5.09 (11.24)	0.46 (1.01)
25 (size B)	8.44 (18.66)	0.81 (1.8)
37 (size C)	12.51 (27.65)	1.1 (2.47)
<b>Standard plating thicknesses</b>		
<ul style="list-style-type: none"> <li>• gold flash</li> <li>• 0.4µm (15µ") gold</li> <li>• 0.76 µm (30µ") gold</li> </ul>		

DESCRIPTION

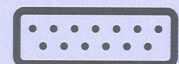
These connectors are suitable for compact requirement of modern peripheral equipment.

Special contact design allows usage of standard 1.27mm (.05") flat cable. Suitable with all standard D-Sub hoods.

*Simplify  
Your cable  
assemblies!*

APPLICATIONS

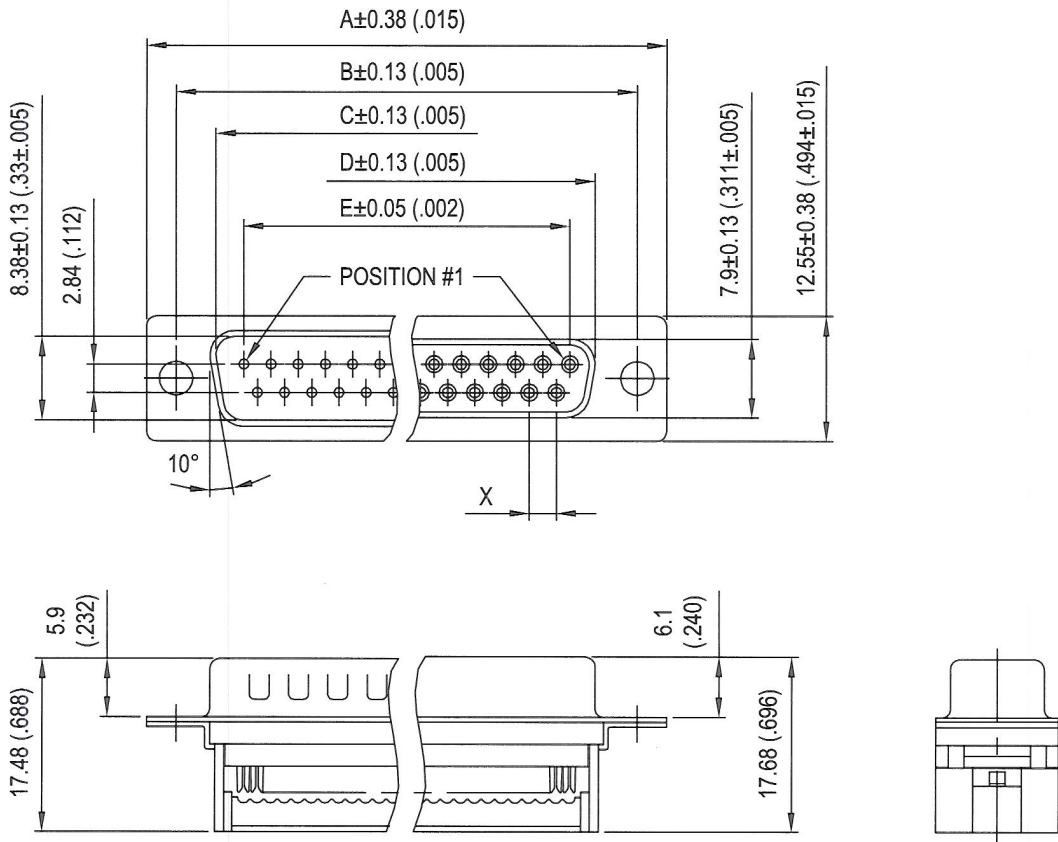
- Industrial
- Telecom
- Any industry standard I / O connections



**Amphenol**

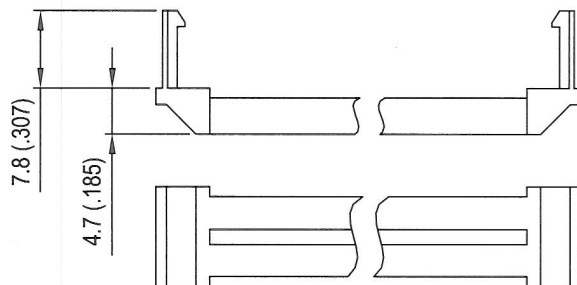
DFR / E12



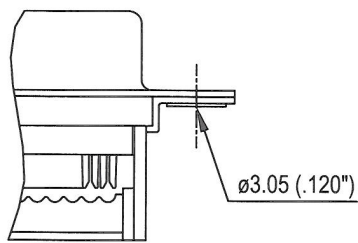


Nb OF CONTACTS	DIMENSIONS mm (inch)					
	A	B	C	D	E	X
9	30.84 (1.21)	24.99 (.984)	16.92 (.666)	16.24 (.639)	11.09 (.437)	2.74
15	39.24 (1.54)	33.32 (1.31)	24.70 (.972)	24.56 (.967)	19.39 (.763)	2.74
25	53.04 (2.09)	47.04 (1.85)	38.96 (1.53)	38.38 (1.51)	33.24 (1.31)	2.77
37	69.32 (2.73)	63.50 (2.50)	55.42 (2.18)	54.76 (2.16)	49.86 (1.96)	2.77

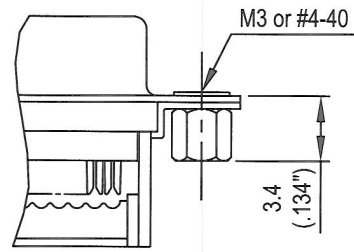
STRAIN RELIEF



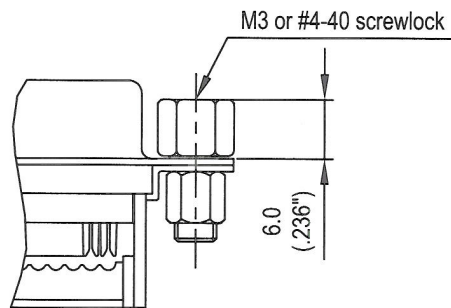
## Panel mounting option



Standard rivet  $\varnothing 3.05\text{mm}$   
no digit

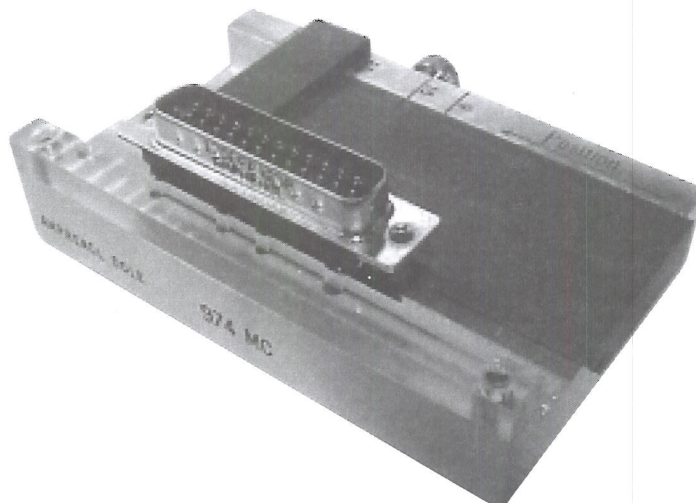


Threaded rear insert  
B / D



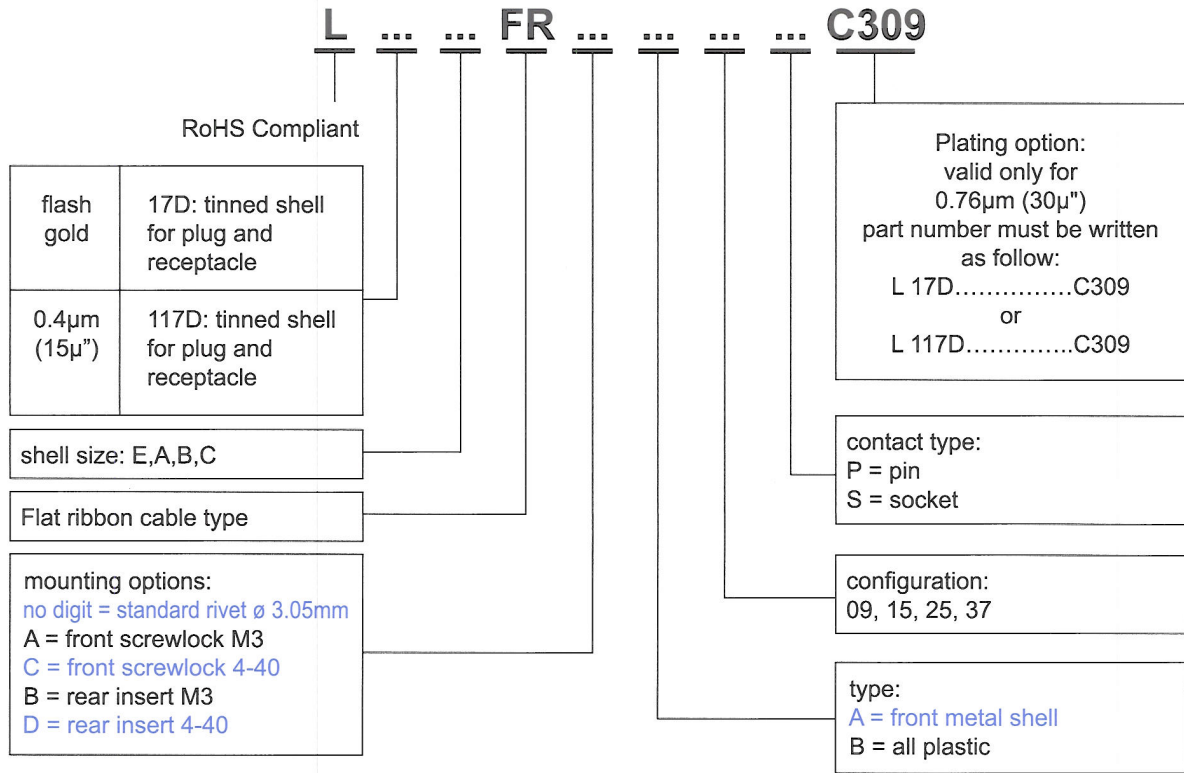
Front female screwlock  
A / C

## Tool



Support for hand termination tool:  
974MC

## How to order



■ : Standard options

***For special request, please consult factory***

**Do not hesitate to contact us for further information**

# Amphenol

**Amphenol IT & Communication Products**

Block A3/A4, The 4th Industrial District of  
 Industrial Headquarters, Dong Keng Road  
 Gong Ming Town, Shen Zhen China  
 Fax: +86(0)755 2754 9955

**Technical Support**

Tel: +86(0)755 2717 7945  
 Info-dsub@amphenol.com.cn  
 http://www.dsubconnector.com