

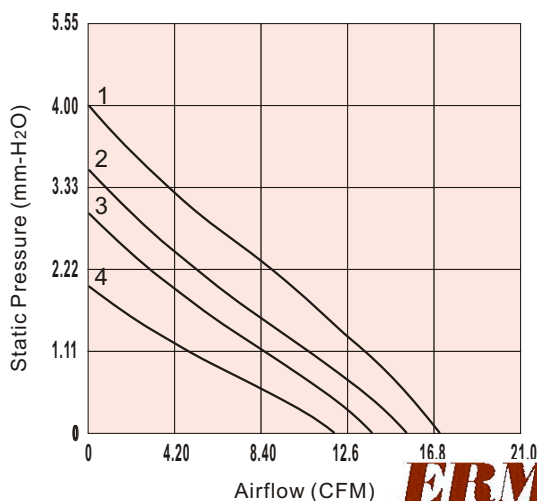
- ◆ Airflow: 12.0~17.1 CFM
- ◆ Static Pressure: 2.0~4.4 mm-H₂O
- ◆ Blade / Housing:
Plastic Material UL 94-0 P.B.T.
- ◆ Lead Wire: UL1007 #26AWG
- ◆ Weight: 27 g
- ◆ Bearing Type: 2-Ball,
1-Ball 1-Sleeve, Sleeve
- ◆ Function: N, A
- ◆ Voltage: 5, 12 VDC

Model No.	Rated Voltage (VDC)	Starting Voltage (VDC)	Operating Voltage Range (VDC)	Speed (RPM)	Max. Airflow (CFM)	Max. Static Pressure (mm-H ₂ O)	Current (mA)	Power Consumption (W)	Life at 40°C (L10)(hour)	P-Q Curve	Noise Level (dB(A))
FD055015LB (xxx)	5	4	4~5.5	3800	12.0	2.0	180	0.90	80000	4	24.5
FD055015MB (xxx)	5	4	4~5.5	4500	13.8	2.9	250	1.25	80000	3	30.0
FD055015HB (xxx)	5	4	4~5.5	5000	15.5	3.6	320	1.60	75000	2	31.5
FD125015LS (xxx)	12	7	7~13.2	3600	11.1	1.8	85	1.02	30000	4	23.0
FD125015MS (xxx)	12	7	7~13.2	4300	13.8	2.9	130	1.56	30000	3	30.0
FD125015HS (xxx)	12	7	7~13.2	4800	14.7	3.3	170	2.04	30000	2	31.0
FD125015ES (xxx)	12	7	7~13.2	5300	17.1	4.4	240	2.88	30000	1	36.0
FD125015LB (xxx)	12	7	7~13.2	3800	12.0	2.0	85	1.02	80000	4	24.5
FD125015MB (xxx)	12	7	7~13.2	4500	13.8	2.9	130	1.56	80000	3	30.0
FD125015HB (xxx)	12	7	7~13.2	5000	15.5	3.6	170	2.04	75000	2	31.5
FD125015EB (xxx)	12	7	7~13.2	5500	17.1	4.4	240	2.88	75000	1	36.5
FD245015LB (xxx)	24	12	12~26.4	3800	12.0	2.0	70	1.68	80000	4	24.5
FD245015MB (xxx)	24	12	12~26.4	4500	13.8	2.9	80	1.92	80000	3	30.0
FD245015HB (xxx)	24	12	12~26.4	5000	15.5	3.6	90	2.16	75000	2	31.5
FD245015EB (xxx)	24	12	12~26.4	5500	17.1	4.4	110	2.64	75000	1	36.5

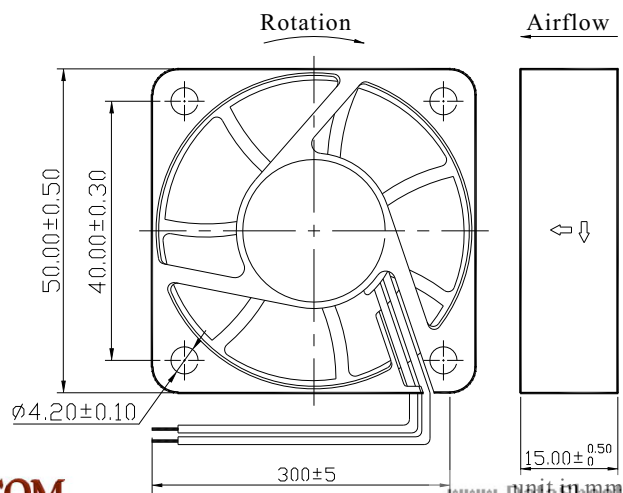
(xxx): please refer to Model Numbering System for bearing, function and speed level indication.

Specifications are subject to changes without notice. Please refer to the formally issued product specification via contacting Y.S. TECH sales department. Visit Y.S. TECH website at <http://www.ermec.com> for updated information. Customized Specifications are designed accordingly.

PERFORMANCE P-Q CURVE



OUTLINE DIMENSIONS



www.DataSheet4U.com