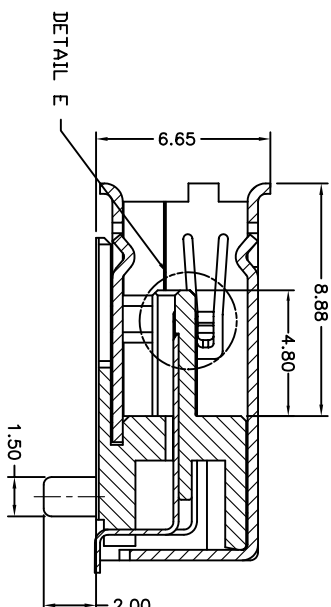
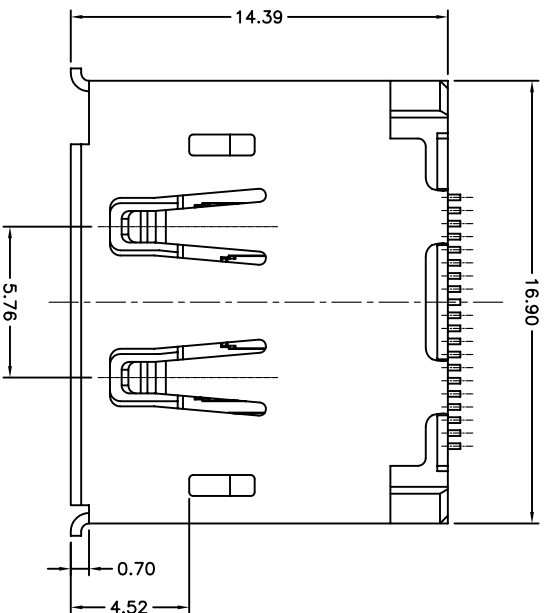


# Customer Drawing

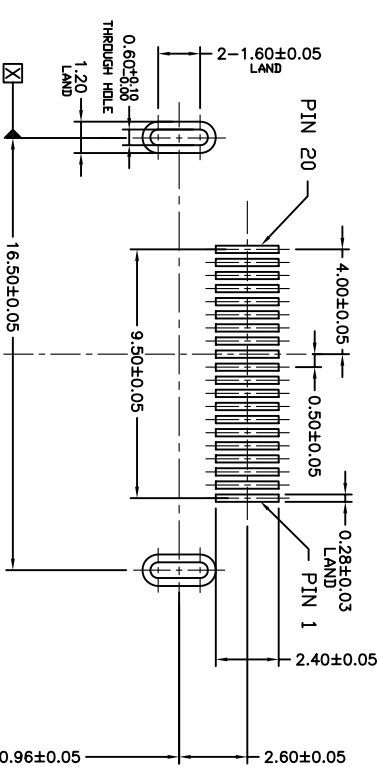
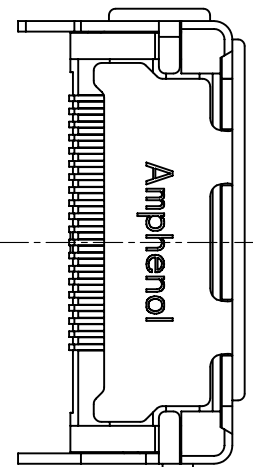
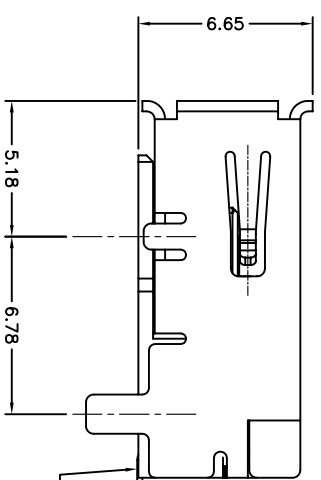
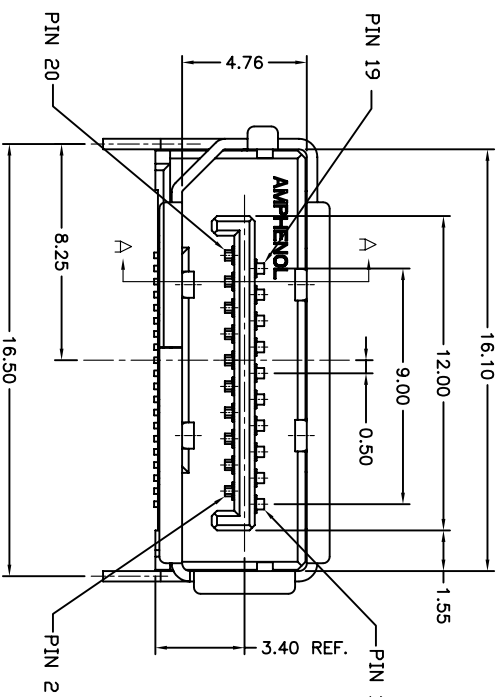
REVISIONS		DATE	APPROVED
SYM	ECN	DESCRIPTION	
1	HK6205	Release to customer	06/01/10
			IP



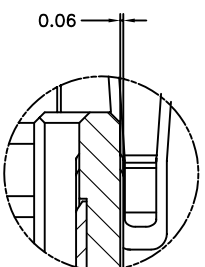
SECTION A-A

- NOTES:
1. MATERIAL: HOUSING: HIGH TEMPERATURE PLASTIC U94V-0, BLACK. CONTACT: COPPER ALLOY SHIELD: COPPER ALLOY
  2. FINISH: CONTACT: REFER TO P/N SYSTEM ON MATING AREA 1.27um MIN NICKEL UNDERPLATE OVERALL 2.54um MIN PURE TIN ON SOLDER TAIL SHIELD: REFER TO P/N SYSTEM
  3. ELECTRICAL SPECIFICATION: SHIELD: REFER TO P/N SYSTEM CURRENT RATING: 0.5A CONTACT RESISTANCE: 30mΩ MAX INSULATOR RESISTANCE: 100MΩ MIN(UNMATED) 10MΩ MIN(MATED) DIELECTRIC WITHSTANDING VOLTAGE: 500 V AC(UNMATED) 300 V AC(MATED)
  4. ORDER P/N SYSTEM: DP-F201-007-X-X-XX

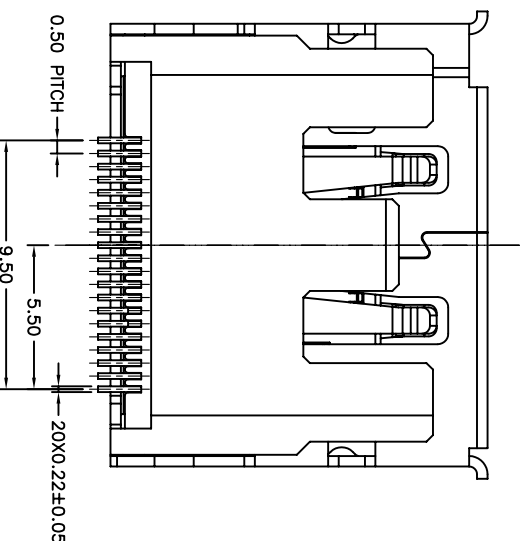
- MATING AREA PLATING:
- 1- 0.76um MIN Au.
  - 2- 0.38um MIN Au.
  - A- Gold FLASH
- PACKING METHOD:
- N/A- PACKING IN TRAY.
  - TR- PACKING IN TAPE AND REEL.
- SHELL PLATING:
- 1- GOLD FLASH PLATED.
  - 2- SOLDERABLE NICKEL PLATED.
  - 3- TIN PLATED.
  - 4- SOLDERABLE BLACK NICKEL PLATED.



RECOMMENDED PCB LAYOUT (THK=1.6+/-0.15mm)



DETAIL E  
SCALE 2:1



ITEM	PART NO.	REQ'D	DESCRIPTION
PARTS LIST			

UNLESS OTHERWISE SPECIFIED TOLERANCES		APPROVAL		DATE		TITLE DISPLAYPORT R/A SMT RECEPTACLE (FRONT SHORT TAIL SHELL DIP)
U.S.		DRAWN		06/01/10		
METRIC		CHECKED		06/01/10		
		VICTOR LIN				
X	+/-	±0.50				DRAWING FILE : Drawing/bp/CDPF201007XXXX-1
XX	+/-	±0.25				
XXX	+/-	±0.20				
ANGLES	+/-	0.5°				

Amphenol



DIMENSIONS		ANGLE OF PROJECTION		SCALE		REV.
U.S.	INCHES-	FIRST ANGLE		A3	C	
(METRIC)	(MM)			SCALE	NONE	1
REMOVE SHARP EDGES				SCALE	NONE	1
DRAWING NO.				SCALE	NONE	1
DRAWING NO.				SCALE	NONE	1
DRAWING NO.				SCALE	NONE	1