

Tous droits strictement réservés. Reproduction ou communication à des tiers interdite sous quelque forme que ce soit sans autorisation écrite du Propriétaire de c FCI. Droits de reproduction FCI.

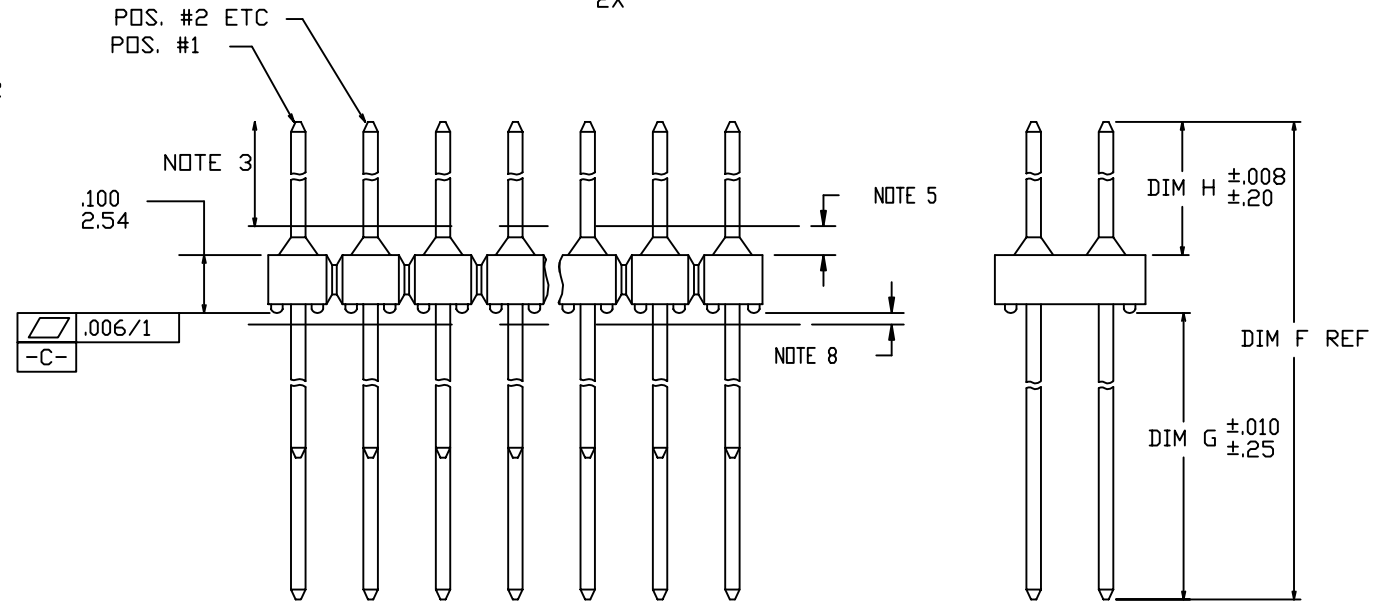
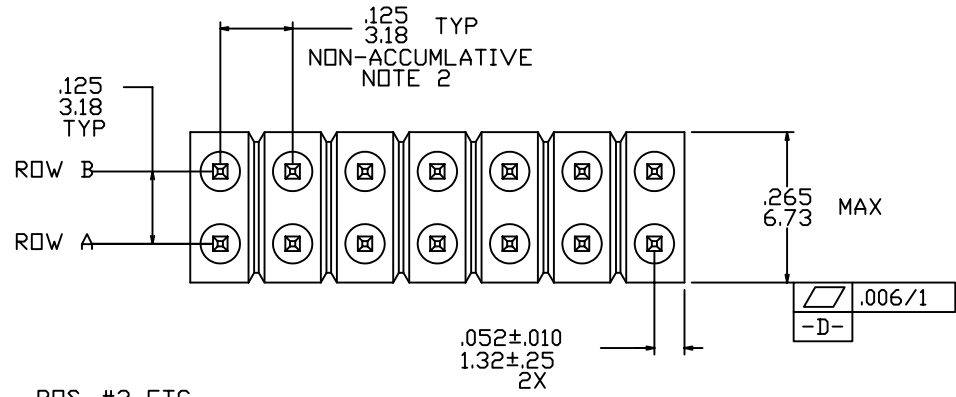
All rights strictly reserved. Reproduction or issue to third parties in any form whatever is not permitted without written authority from the proprietor. Property of FCI. Copyright FCI.



PRODUCT NUMBER  
SEE TABLE

PART NUMBER INFORMATION  
XXXXX-XXXRLF

- LEAD FREE OPTION (SEE NOTE 10)
- (SEE NOTE 9)
- NO. OF POSITIONS (SEE NOTE 4)
- TERMINAL PLATING
- SEE TABULATION FOR PREFIX OF PART NO.



mat'l. code				tolerances unless otherwise specified				CUSTOMER COPY		FCI www.fciconnect.com	
ltr	ecn no	dr	date	linear	.XX ±.01/.X±3			projection	title		
P	N06-0137	LONG	5/25/06		.XXX ±.005/.XX±13				BERGSTIK I HEADER		
					.XXXX ±.0020/.XXX±.051				.125/3.18cc DR STRAIGHT		
				angles	0° ±2°			INCH/MM	product family BERGSTIK		code
				dr	XU SD	10/30/2K	size		NT		
				engr	XU SD	10/30/2K	dwg no		sheet		
				chr	XU SD	10/30/2K	scale		1 of 2		
				appd	GDH JOHN	10/30/2K	1:1		A		
sheet index	revision sheet	P	P								
		1	2								

	TOTAL PIN LENGTH		TAIL LENGTH		MATING LENGTH		AVAILABLE PLATING NO'S
	DIM F	DIM F	DIM G	DIM G	DIM H	DIM H	
	ENGLISH	METRIC	ENGLISH	METRIC	ENGLISH	METRIC	
67847-XXX	0.425	10.80	0.095	2.41	0.230	5.84	1,2,3,4
67917-XXX	0.673	17.09	0.120	3.05	0.453	11.51	1,2,3,4
67949-XXX	0.450	11.43	0.120	3.05	0.230	5.84	1,2,3,4
78521-XXX	0.490	12.45	0.120	3.05	0.270	6.86	4
79426-XXX	0.570	14.48	0.120	3.05	0.350	8.89	1,2,3,4
91287-XXX	0.965	24.51	0.473	12.01	0.393	9.98	1,2,3,4
91568-XXX	0.560	14.22	0.230	5.84	0.230	5.84	2
52577-XXY	0.756	19.20	0.281	7.14	0.375	9.53	1,2,3,4

PLATING VARIATIONS				
DASH NO.	PLATING NO.	OVERPLATING	UNDERPLATING	PLASTIC COLOR
-1YY	1	30u"/.76u Au	50u"/1.27u Ni	BLACK
-2YY	2	15u"/.38u Au	50u"/1.27u Ni	CREAM
-3YY	3	50u"/1.27u Au	50u"/1.27u Ni	BROWN
-4YY	4	150u"/3.81u MIN SnPb	50u"/1.27u Ni	BLACK

NOTES:

- ① MOLDING MATERIAL: GLASS FILLED NYLON  
RATED PER UL 94 V-0.
- ② MEASURED AT DATUM -C- WITH PART IN RESTRAINED CONDITION.
- ③ 5 LBS / 2.3 KG TERMINAL PUSH-OUT FORCE IN EITHER DIRECTION.
- ④ MIN NO. OF POSITIONS - 4.  
MAX NO. OF POSITIONS - 72.
- ⑤ .05/1.27 MAX FLASH ALLOWED IN THIS AREA.
6. TWO SIDES OF LEAD-IN ON PINS NOT PLATED.  
TYP BOTH ENDS.
7. TERMINAL MATERIAL: PHOS BRONZE.
- ⑧ .02/.51 MAX FLASH ALLOWED IN THIS AREA.
- ⑨ RETENTIVE FEATURE AVAILABLE IN PIN LENGTHS OF .120/3.50 TO .150/3.81 ONLY. THE LETTER "R" AFTER THE EXISTING P/N.  
EXAMPLE:  
79426-XXX FOR EXISTING P/N.  
79426-XXYR FOR RETENTION P/N.  
15 LBS / 6.8 KG MAX INSERTION AND .25 LB / .11 KG MIN RETENTION FORCE WHEN USED IN .040±.003/.08 DIA HOLES AND .062/1.57 THICK PCB (RETENTIVE FEATURE LOCATION IS MANUFACTURES OPTION).
10. ADD "LF" SUFFIX AT THE END OF PART NUMBER FOR LEAD FREE OPTION. THE ORIGINAL "PLATE SnPb" CHANGE TO "PLATE PURE MATTE Tm". IF "LF" P/N THE PRODUCT MEETS EUROPEAN UNION DIRECTIVES AND OTHER AND OTHER COUNTRY REGULATION AS DESCRIBED IN GS-22-008. THE HOUSING WILL WITHSTAND EXPOSURE TO 260° PEAK TEMPERATURE FOR 15 SECONDS IN A WAVE PROCESS.

propriétaire.

Tous droits strictement réservés. Reproduction ou communication à des tiers interdite sous quelque forme que ce soit sans autorisation écrite du Propriétaire de c FCI. Droits de reproduction FCI.



All rights strictly reserved. Reproduction or issue to third parties in any form whatever is not permitted without written authority from the proprietor. Property of FCI. Copyright FCI.

mat'l. code				tolerances unless otherwise specified		CUSTOMER COPY	www.fciconnect.com		
ltr	ecn no	dr	date	inear	.XX ±.01/.X±.3	projection	title		
P					.XXX ±.005/.XX±.13			BERGSTIK I HEADER	
					.XXX ±.0020/.XXX±.051			.125/3.18cc DR STRAIGHT	
				angles	0° ±2'		product family		
				dr	XU SD 10/30/2K		BERGSTIK		
				engr	XU SD 10/30/2K		code	NT	
				chr	XU SD 10/30/2K		size	dwg no	
				appd	GOH JOHN 10/30/2K	scale	A 67847		
sheet index	revision sheet						sheet 2 of 2		