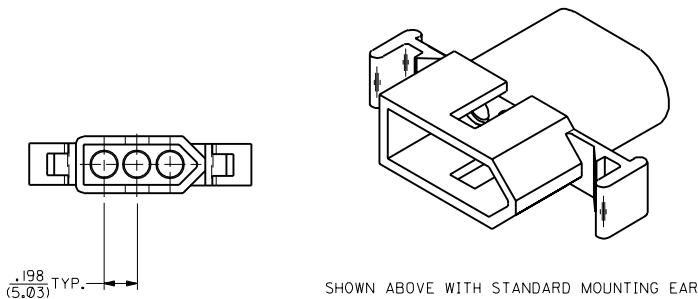
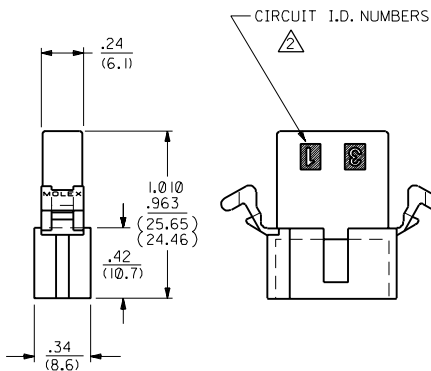
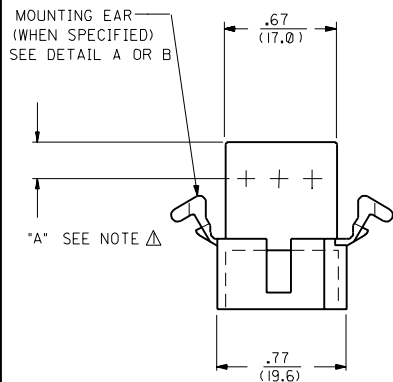
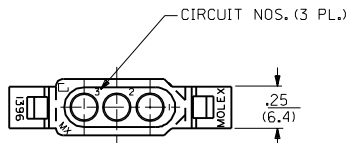
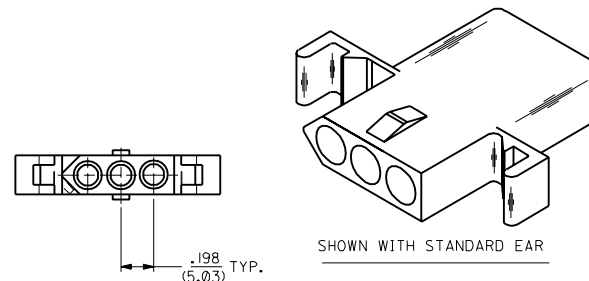
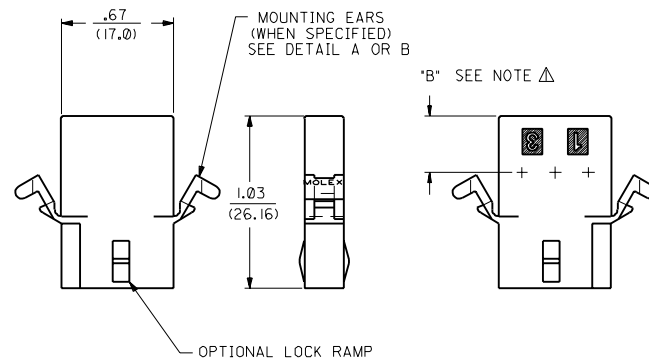
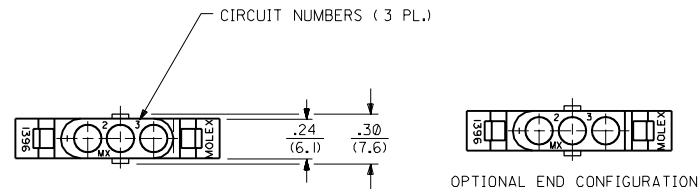


PLUG



RECEPTACLE



NOTES:
 Δ DIMENSION FROM THE BACK OF HOUSING TO THE END OF THE BRUSH ON THE WIRE INSERTED INTO THE HOUSING
 DIM "A" = .256/6.50 FOR 42477 & 42478 TERMINALS
 .216/5.49 FOR ALL OTHER .093 TERMINALS
 DIM "B" = .377/9.58 FOR 42477 & 42478 TERMINALS
 .337/8.56 FOR ALL OTHER .093 TERMINALS

Y3	REVISED PER UCR2000-0583 3/1/00 DDS		
Y2	REMOVE -R3, -R5 VER. PER ECN #16 1479 6-10-96 RW		
Y1	X-REMOVE 1396-R4 ECR U3 1583 GC 10/26/93 RW		
Y	ADD CKT. I.D. #'S PER ECR U3 0683 GC 5/4/93 RW		
X	REV MAT'L SPECS. ECR U2-1491 10-08-92 A.GUZIK		
W1	ADD -D VERSIONS. ECR U1 1106 GC 7/25/91 RW		
W	REVISE ON CAD ECR #UB 1381 JJS 4-24-88 RW		
2	Y2		
1	Y3		
MFG. SH.	REV.	LTR.	REVISIONS

DIMENSIONS SHOWN METRIC (INCH) UNLESS OTHERWISE SPECIFIED TOLERANCES ANGULAR ± 1/2°

INCH	METRIC
3 PLACE ± .010	---
2 PLACE ± .014	± 0.25
1 PLACE ---	± 0.36

DRAFT WHERE APPLICABLE MUST REMAIN WITHIN DIMENSIONS

DRWG. BY: RAS
 APP'D: RAS
 FILE NAME: S1396.3X1.DWG
 DATE: 4/3/88

TITLE: .093/(2.36) HOUSING, PLUG & RECEPTACLE
 3 CIRCUIT, 198/(5.03) C

PART NO.: L15LEJLL
 MFG. SH.: 60532
 U.S.A.

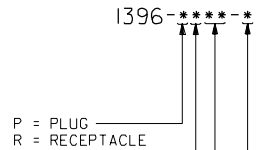
MOLEX INCORPORATED
 SHEET NO. 2 OF 2
 DATE 4/3/88

DRWG. NO.: SD-1396-•

THIS DRAWING CONTAINS INFORMATION THAT IS PROPRIETARY TO MOLEX INC. AND SHOULD NOT BE USED WITHOUT WRITTEN PERMISSION, CP

PLUG		RECEPTACLE	
ORDER NO.	ENG. NO.	ORDER NO.	ENG. NO.
03-09-2031	I396-P	03-09-1031	I396-R
03-09-2032	I396-P1	03-09-1032	I396-R1
03-09-7032	I396-P-IBK	03-09-1033	I396-R2
03-09-7031	I396-PBK	03-09-6033	I396-R2BK
PRELIMINARY	I396-P-B	03-09-6032	I396-R-IBK
		03-09-6031	I396-RBK
		PRELIMINARY	I396-R-B
		PRELIMINARY	I396-R1-B
		03-09-1081	I396-R4

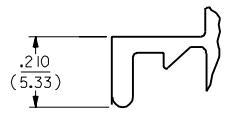
LEGEND:



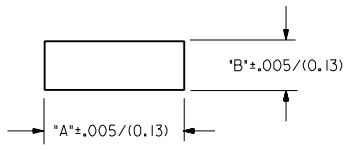
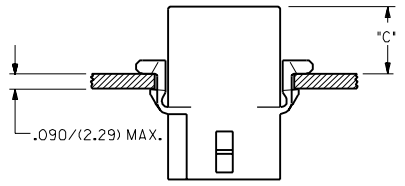
- BLANK = WITH STANDARD EARS
 1 = WITHOUT EARS
 2 = RECEPTACLE WITHOUT EARS, WITHOUT LOCK RAMP
 3 = PLUG ONLY, W/ SIDE MOUNT (SEE SD-I396-P3)
 4 = WITH PREBENT EARS

COLOR: BLANK=NATURAL COLOR
 AM=AMBER BK=BLACK BU=BLUE
 BN=BROWN GY=GRAY GN=GREEN
 OR=ORANGE RD=RED YW=YELLOW

BLANK = NYLON 6/6, 94V-2
 B = NYLON TYPE 6/6, 94V-2, UV STABILIZED



DETAIL A
 STANDARD MOUNTING EAR
 (SCALE 4:1)

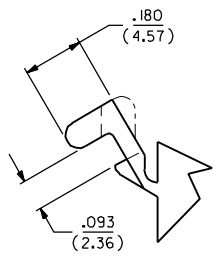
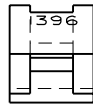


RECOMMENDED PANEL MOUNTING HOLE

HOUSING	DIM. *A*	DIM. *B*	*C* PREBENT EAR	*C* STANDARD EAR
PLUG	.933/(23.70)	.375/(9.53)	.40/(10.2)	.38/(9.7)
RECEPT.	.830/(21.08)	.312/(7.92)	.41/(10.4)	.39/(9.9)

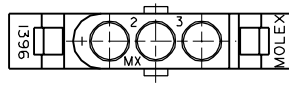
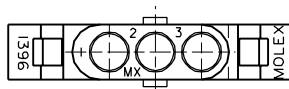
NOTES:

- 1. MOLEX PRODUCT SPEC Q2-09 APPLIES.
- 2. CIRCUIT I.D. NUMBERS ON SIDE OF HOUSING APPEAR ON PARTS FROM TOOLS BUILT AFTER 5/4/93.

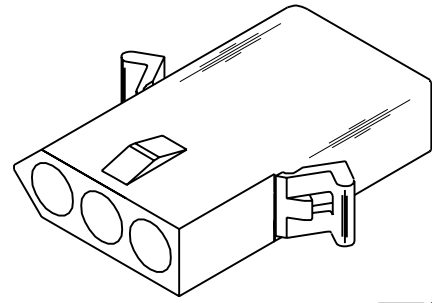


DETAIL B
 PREBENT MOUNTING EAR
 (SCALE 4:1)

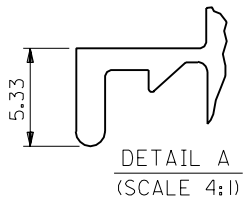
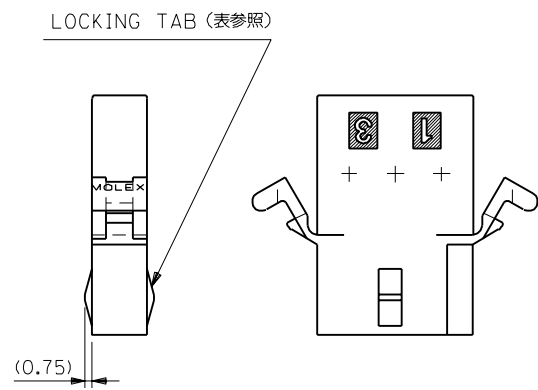
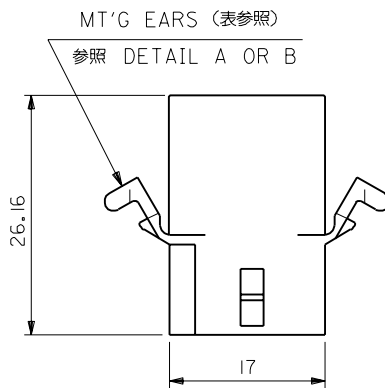
DIMENSIONS SHOWN METRIC (INCH)		UNLESS OTHERWISE SPECIFIED TOLERANCES: ANGULAR ± 1/2°		REVISIONS		REVISIONS		REVISIONS	
INCH	METRIC	3 PLACE	2 PLACE	1 PLACE	DATE	BY	CHKD. BY	APP'D. BY	SCALE
		± .010	± .014	± 0.25		JJS	RW	RAS	
		---	---	± 0.35					
DRAFT WHERE APPLICABLE MUST REMAIN WITHIN DIMENSIONS		FILE NAME		SHEET NO.		DATE		DIV.	
S-1396.3X2.DWG		SEE CHART		2		4/8/88		CP	
PART NO. I396		MOLEX INCORPORATED		L15LEJLL 60532 U.S.A.		DRWG. NO. SD-1396-*		SIZE	
TITLE		.093/(2.36) HOUSINGS PLUG & RECEPTACLE		3 CIRCUIT .198/(5.03)C				CP	



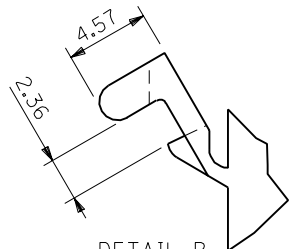
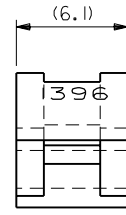
OPTIONAL END CONFIGURATION



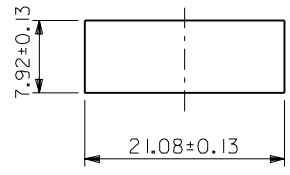
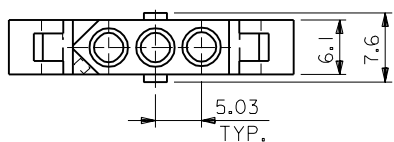
RECEPTACLE



DETAIL A (SCALE 4:1)



DETAIL B (SCALE 4:1)



パネル取付穴寸法
(パネル厚 2.29最大)

I396R4	03-09-1081	有	WITH	有	WITH DETAIL B
I396R2	03-09-1033	無	WITHOUT	無	WITHOUT
I396R1	03-09-1032	有	WITH	無	WITHOUT
I396R	03-09-1031	有	WITH	有	WITH DETAIL A
ENG. NO.	EDP NO.	LOCKING TABS	MT'G EARS		

DO NOT SCALE DRAWING

EC NO. DRWN: CHK: APPR:	EC NO. DRWN: CHK: APPR:	EC NO. DRWN: CHK: APPR:	EC NO. DRWN: CHK: APPR:	RELEASED EC NO. JC2001-0078 DRWN: K.KOHAMA '00/08/28 CHK: T.YAMAGUCHI APPR: M.FUKUSHIMA
----------------------------------	----------------------------------	----------------------------------	----------------------------------	---

MATERIAL 材料	NYLON66 94V-2
FINISH 仕上り	
WIRE RANGE 適用線径範囲	
INS. RANGE 被覆径	

GENERAL TOLERANCES: (UNLESS SPECIFIED) 一般公差	SCALE 2 : 1	DESIGN UNITS <input checked="" type="checkbox"/> mm <input type="checkbox"/> INCH
10 UNDER 未満	+0.25 ±0.2	DRAWN BY & DATE K.KOHAMA '00/08/28
10 OVER 以上	+0.3 ±0.25	CHECKED BY & DATE T.YAMAGUCHI '00/08/28
30 OVER 以上	+0.35 ±0.3	APPROVED BY & DATE M.FUKUSHIMA '00/08/28
ANGLE 角度	+3°	CAD FILENAME I396001.S01

MODEL NO.	03-09-1***	DIMENSIONS:	SHT	REV
		<input type="checkbox"/> mm <input type="checkbox"/> INCH <input checked="" type="checkbox"/> mm ONLY		
THIRD ANGLE PROJECTION		REVISE ON CAD ONLY		
TITLE: 3 CIRCUITS RCPT HSG (0.093 DIA TERMINAL)				
MOLEX INCORPORATED				
MATERIAL NO.	DRAWING NO.	SHEET NO.		SIZE
SEE NOTES	SD-1396-001	1 OF 1		B

THIS DRAWING CONTAINS INFORMATION THAT IS PROPRIETARY TO MOLEX INCORPORATED AND SHOULD NOT BE USED WITHOUT WRITTEN PERMISSION.