

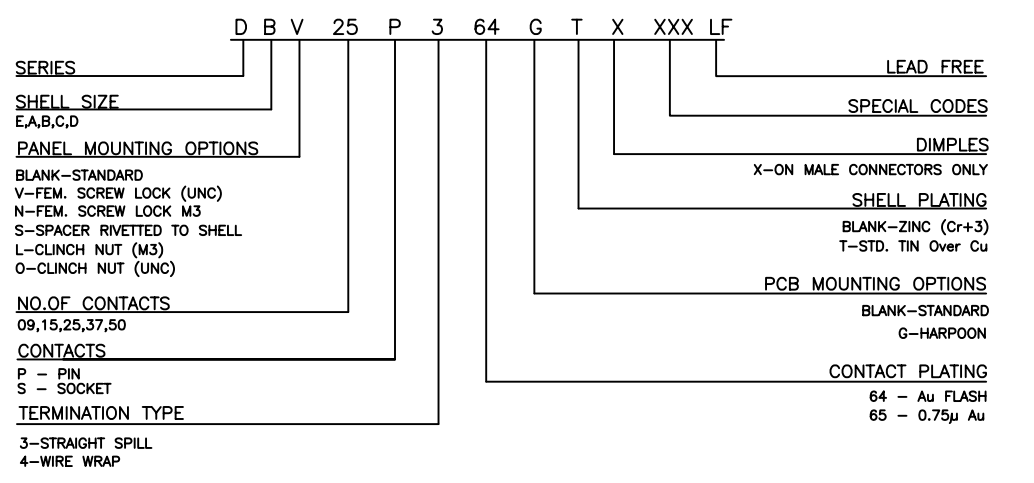
50	P	66.65	52.68	61.11	11.08	14.99	11.09	5.85	55.07	13.31	1.50	1.0
	S	66.65	52.30	61.11	10.62	14.99	11.21	6.05	55.07	13.31	1.10	0.8
37	P	68.94	55.30	63.50	8.23	12.17	11.09	5.85	57.45	10.46	1.50	1.0
	S	68.94	54.71	63.50	7.77	12.17	11.21	6.05	57.45	10.46	1.10	0.8
25	P	52.65	38.84	47.04	8.23	12.17	11.07	5.85	41.02	10.46	1.10	0.8
	S	52.65	38.25	47.04	7.77	12.17	11.21	6.05	41.02	10.46	1.10	0.8
15	P	38.76	25.12	33.32	8.23	12.17	10.99	5.85	27.25	10.46	1.10	0.8
	S	38.76	24.54	33.32	7.77	12.17	11.21	6.05	27.25	10.46	1.10	0.8
09	P	30.43	16.79	24.99	8.23	12.17	10.99	5.85	19.02	10.46	1.10	0.8
	S	30.43	16.21	24.99	7.77	12.17	11.21	6.05	19.02	10.46	1.10	0.8
SHELL SIZE		A <sup>+0.76</sup>	B <sup>+0.25</sup>	C <sup>+0.12</sup>	D <sup>+0.25</sup>	E <sup>+0.76</sup>	F <sup>MAX</sup>	G <sup>+0.15</sup>	H <sup>+0.51</sup>	J <sup>+0.51</sup>	K <sup>±0.2</sup>	L <sup>+0.22</sup>

NOTE: INSIDE DIMENSION OF MALE AND OUTSIDE DIMENSION OF THE FEMALE CONNETOR

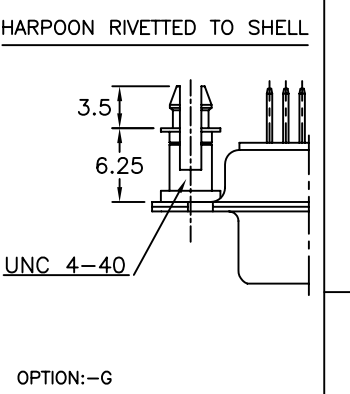
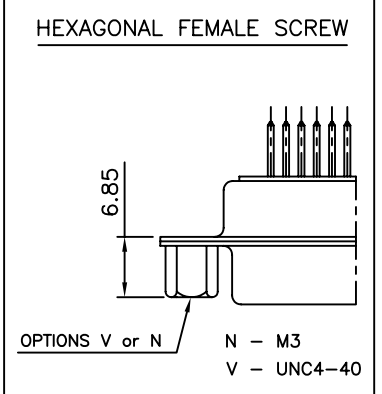
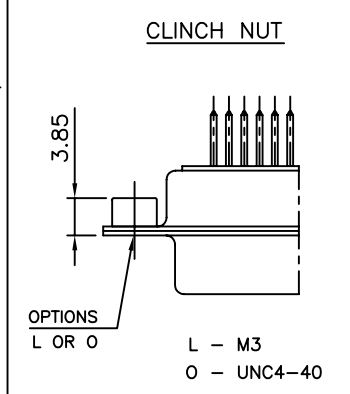
TECHNICAL SPECIFICATIONS

- SHELLS : TIN/ZINC PLATED STEEL
- CONTACTS DIA ON ACTIVE AREA : Ø1 MM.
- CONTACTS MATERIAL : COPPER ALLOY
- CONTACT PLATING : GOLD OVER NICKEL (ACTIVE ZONE)  
TIN OVER NICKEL (TERMINATION ZONE)
- FOR LEAD FREE PLATING : 2µ MIN. TIN TOP OVER  
1.27µ MIN.NICKEL UNDER PLATE(ON TERMINATION ZONE)
- INSULATOR MATERIAL : SELF EXTINGUISHING THERMOPLASTIC-  
TO UL CLASS 94 V0  
THE HOUSING WILL WITHSTAND EXPOSURE TO 260-265°C  
IF WE USE PROTECTIVE ADHESIVE (type Kapton or Teflon)  
OR PROTECTIVE METALLIC DEVICE
- OPERATING TEMPERATURE : -55°C +125°C
- OPERATING CURRENT : 5 A PER CONTACT
- CONTACT RESISTANCE : ≤10m Ω
- INSULATION RESISTANCE : >5000 M Ω
- MAXIMUM VOLTAGE : 1000 V.r.m.s
- MECHANICAL ENDURANCE : 500 MATINGS FOR ≥0.75µ GOLD PLATING  
200 MATINGS FOR ≤0.40µ GOLD PLATING
- DAMP HEAT : 56 DAYS FOR ≥0.75µ GOLD PLATING  
21 DAYS FOR ≤0.40µ GOLD PLATING

ORDERING INFORMATION



<b>SERIES</b>	D B V	<b>LEAD FREE</b>	LF
<b>SHELL SIZE</b> E,A,B,C,D	25	<b>SPECIAL CODES</b>	
<b>PANEL MOUNTING OPTIONS</b>	P	<b>DIMPLES</b>	X-ON MALE CONNECTORS ONLY
BLANK-STANDARD		<b>SHELL PLATING</b>	
V-FEM. SCREW LOCK (UNC)		BLANK-ZINC (Cr+3)	
N-FEM. SCREW LOCK M3		T-STD. TIN Over Cu	
S-SPACER RIVETTED TO SHELL		<b>PCB MOUNTING OPTIONS</b>	
L-CLINCH NUT (M3)		BLANK-STANDARD	
O-CLINCH NUT (UNC)		G-HARPOON	
<b>NO. OF CONTACTS</b>	09,15,25,37,50	<b>CONTACT PLATING</b>	
<b>CONTACTS</b>		64 - Au FLASH	
P - PIN		65 - 0.75µ Au	
S - SOCKET			
<b>TERMINATION TYPE</b>			
3-STRAIGHT SPILL			
4-WIRE WRAP			



mat'l. code SEE NOTE 4		surface ISO 1302		tolerance ISO 406 ISO 1101		projection MM		product family			
D 106-0074		GVJ		2006/06/08		tolerances unless otherwise specified		title D- SUB S/S W/W CONNECTOR ( WITH ASSEMBLY OPTIONS)			
E 109-0179		AMR		2009/09/04		angles		dwg no C-DSUB-0065			
F 109-0195		AMR		2009/09/04		linear		sheet 1 of 1 size A3			
dr		Mini K Vandanath		1999/03/20		scale -		type Product Customer Drawing			
enr		George V Joseph		1999/03/20							
chr		Abhilash M R		2009/09/04							
appd		Sudhir Varma		2009/09/04							
sheet index	revision	F									
	sheet	1									

"This LF product meets European Union Directives and other country regulations as described in GS-22-008"

The housing will withstand exposure to 260°C peak temperature for 3.5 seconds in a wave solder application with a 1.6mm minimum thick circuit board.

Packaging as per GS-14-920