

C120N 초소형 배선용 차단기 (B,C,D 트립 곡선)



IEC/EN 60898-1, CEI 60947-2

C120N circuit breakers are multistandard circuit breakers that combine the following functions:

- Circuit protection against short-circuit currents,
- Circuit protection against overload currents,
- Suitability for isolation in the industrial sector to IEC/EN 60947-2,
- Fault tripping and indication by adding auxiliaries.

Alternating current (AC) 50/60 Hz

Breaking capacity (Icu) to IEC/EN 60947-2					Service breaking capacity (Ics)
Type	Voltage (V)				
1P	130 V	220 to 240 V	380 to 415 V	440 V	75 % Icu
Rating (In) 63 to 125 A	20 kA	10 kA	3 kA ⁽¹⁾	-	
2P/3P/4P	130 V	220 to 240 V	380 to 415 V	440 V	75 % Icu
63 to 125 A	-	20 kA	10 kA	6 kA	

Breaking capacity (Icu) to CEI/EN 60898-1

Type	Voltage (V)		Service breaking capacity (Ics)
1P, 2P, 3P, 4P	230 to 400 V		
Rating (In) 63 to 125 A	10000 A		

(1) One-pole breaking capacity in IT isolated neutral system (double fault).

Direct current (DC)

Breaking capacity (Icu) to IEC/EN 60947-2				Service breaking capacity (Ics)
Type	Voltage (V)			
1P	24/48 V	125 V	250 V	100 % Icu
Rating (In) 63 to 125 A	10 kA	10 kA	-	
2P (in series)	24/48 V	125 V	250 V	100 % Icu
63 to 125 A	-	10 kA	10 kA	

Catalogue numbers

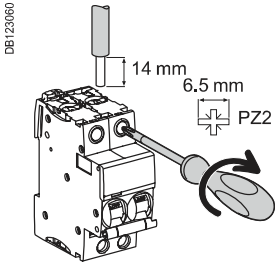
C120N circuit breaker

Type	1P			2P		
Auxiliaries	Remote indication and tripping			Remote indication and tripping		
Vigi C120	Vigi C120 add-on residual current device			Vigi C120 add-on residual current device,		
Rating (In)	Curve			Curve		
	B	C	D	B	C	D
63 A	A9N18340	A9N18356	A9N18378	A9N18344	A9N18360	A9N18382
80 A	A9N18341	A9N18357	A9N18379	A9N18345	A9N18361	A9N18383
100 A	A9N18342	A9N18358	A9N18380	A9N18346	A9N18362	A9N18384
125 A	A9N18343	A9N18359	A9N18381	A9N18347	A9N18363	A9N18385
Width in 9-mm modules	3			6		
Type	3P			4P		
Rating (In)	Curve			Curve		
	B	C	D	B	C	D
63 A	A9N18348	A9N18364	A9N18386	A9N18352	A9N18371	A9N18390
80 A	A9N18349	A9N18365	A9N18387	A9N18353	A9N18372	A9N18391
100 A	A9N18350	A9N18367	A9N18388	A9N18354	A9N18374	A9N18392
125 A	A9N18351	A9N18369	A9N18389	A9N18355	A9N18376	A9N18393
Width in 9-mm modules	9			12		

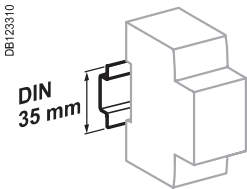
(*) NF B and C curves only.

C120N 초소형 배선용 차단기 (B,C,D 트립 곡선)

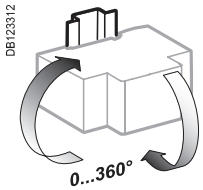
Connection



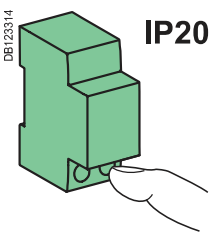
Rating	Tightening torque	Without accessory		With accessories			
		Copper cables		50 mm ² Al terminal	Screw-on connection for ring terminal	Multi-cables terminal	
		Rigid	Flexible or ferrule			Rigid cables	Flexible cables
63 to 125A	3.5 N.m	DB122945 1 to 50 mm ²	DB122946 1.5 to 35 mm ²	DB122935 16 to 50 mm ²	DB118789 Ø 5mm	DB118787 3 x 16 mm ²	3 x 10mm ²



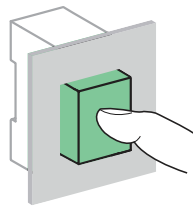
Clip on DIN rail 35 mm.



Indifferent position of installation.



IP20



IP40

기술 자료

주요 특성

IEC/EN 60947-2

정격절연전압(Ui)	500 V AC	
오염 등급	3	
정격임펄스전압 (Uimp)	6 kV	
열동형 트립	기준온도 주위 온도에 따른 보정 (168페이지 참조하세요.)	
전자식 트립	B 트립 곡선	4 In ± 20 %
	C 트립 곡선	8 In ± 20 %
	D 트립 곡선	12 In ± 20 %
사용범주	A	

기타 특성

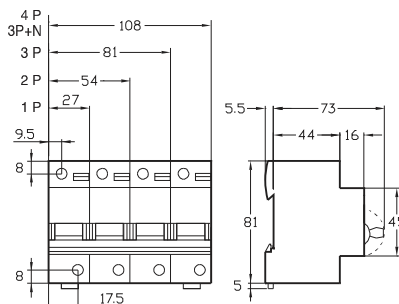
IP 보호등급 (IEC 60529)	Device only	IP20
	Device in modular enclosure	IP40 Insulation classe II
전기적 수명(O-C)	10,000 (63A)	5,000 (80~125A)
기계적 수명(O-C)	20,000 cycles	
동작보증온도	-35°C to +70°C	
보관온도	-40°C to +85°C	
극한의 기후에서 사용(IEC60068-1)	Treatment 2 (relative humidity 95 % to 55°C)	

무게 (g)

Circuit-breaker

Type	C120N
1P	205
2P	410
3P	615
4P	820

외형치수 (mm)



C120H 초소형 배선용 차단기 (B,C,D 트립 곡선)



IEC/EN 60898-1, CEI 60947-2

C120H circuit breakers are multistandard circuit breakers that combine the following functions:

- circuit protection against short-circuit currents
- circuit protection against overload currents
- suitability for isolation in the industrial sector to IEC/EN 60947-2
- fault tripping and indication by adding auxiliaries.



Alternating current (AC) 50/60 Hz

Breaking capacity (Icu) to IEC/EN 60947-2		Voltage (V)				Service breaking capacity (Ics)
Type		130 V	220 to 240 V	380 to 415 V	440 V	
1P		30 kA	15 kA	4,5 kA ⁽¹⁾	-	50 % Icu
Rating (In)	10 to 125 A					
2P, 3P, 4P		30 kA	15 kA	10 kA		50 % Icu
	10 to 125 A					

Breaking capacity (Icu) to CEI/EN 60898-1

Type	Voltage (V)		Service breaking capacity (Ics)
1P, 2P, 3P, 4P	230 to 400 V		
Rating (In)	10 to 125 A	15000 A	50 % Icu

⁽¹⁾ One-pole breaking capacity in IT isolated neutral system (double fault).

Direct current (DC)

Breaking capacity (Icu) to IEC/EN 60947-2		Voltage (V)			Service breaking capacity (Ics)
Type		24/48 V	125 V	250 V	
1P		15 kA	15 kA	-	100 % Icu
Rating (In)	10 to 125 A				
2P (in series)		15 kA	15 kA	15 kA	100 % Icu
	10 to 125 A				

Catalogue numbers

C120H circuit breaker

Type	1P	2P
Auxiliaries	Remote indication and tripping	Remote indication and tripping
Vigi C120	Vigi C120 add-on residual current device	Vigi C120 add-on residual current device
Rating (In)	Curve	Curve
	B C D	B C D
10 A	A9N18394	A9N18405
	A9N18438	A9N18449
	A9N18482	A9N18493
16 A	A9N18395	A9N18406
	A9N18439	A9N18450
	A9N18483	A9N18494
20 A	A9N18396	A9N18407
	A9N18440	A9N18451
	A9N18484	A9N18495
25 A	A9N18397	A9N18408
	A9N18441	A9N18452
	A9N18485	A9N18496
32 A	A9N18398	A9N18409
	A9N18442	A9N18453
	A9N18486	A9N18497
40 A	A9N18399	A9N18410
	A9N18443	A9N18454
	A9N18487	A9N18498
50 A	A9N18400	A9N18411
	A9N18444	A9N18455
	A9N18488	A9N18499
63 A	A9N18401	A9N18412
	A9N18445	A9N18456
	A9N18489	A9N18500
80 A	A9N18402	A9N18413
	A9N18446	A9N18457
	A9N18490	A9N18501
100 A	A9N18403	A9N18414
	A9N18447	A9N18458
	A9N18491	A9N18502
125 A	A9N18404	A9N18415
	A9N18448	A9N18459
	A9N18492	A9N18503
Width in 9 mm modules	3	6

^(*) NF B and C curves only.

C120H 초소형 배선용 차단기 (B,C,D 트립 곡선)

PE107916-40

■ Terminals insulated to IP20



■ Location for 4 clip-on terminal markers



Positive contact indication

- Suitability for isolation in the industrial sector to IEC/EN 60947-2.
- The presence of the green strip guarantees that the contacts open physically and allows work to be carried out safely on the downstream circuit.

- Longer product service life thanks to:
 - good overvoltage withstand capacity: products designed to provide a high industrial performance level (degree of pollution, rated impulse withstand voltage and insulation voltage).
 - high limitation performances (see limitation curves).
 - fast closure independent of toggle operating speed.
- Remote indication of the open/closed/tripped state by auxiliary contacts (optional).
- Power supply from above or below.

3P				4P			
Remote indication and tripping				Remote indication and tripping			
Vigi C120 add-on residual current device				Vigi C120 add-on residual current device			
Curve				Curve			
B	C	D	B	C	D		
A9N18416	A9N18460	A9N18504	A9N18427	A9N18471	A9N18515		
A9N18417	A9N18461	A9N18505	A9N18428	A9N18472	A9N18516		
A9N18418	A9N18462	A9N18506	A9N18429	A9N18473	A9N18517		
A9N18419	A9N18463	A9N18507	A9N18430	A9N18474	A9N18518		
A9N18420	A9N18464	A9N18508	A9N18431	A9N18475	A9N18519		
A9N18421	A9N18465	A9N18509	A9N18432	A9N18476	A9N18520		
A9N18422	A9N18466	A9N18510	A9N18433	A9N18477	A9N18521		
A9N18423	A9N18467	A9N18511	A9N18434	A9N18478	A9N18522		
A9N18424	A9N18468	A9N18512	A9N18435	A9N18479	A9N18523		
A9N18425	A9N18469	A9N18513	A9N18436	A9N18480	A9N18524		
A9N18426	A9N18470	A9N18514	A9N18437	A9N18481	A9N18525		
9				12			