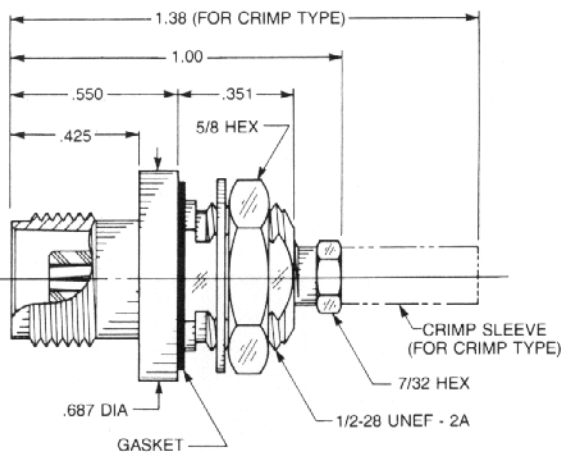


### **Straight Plug For Flexible Or Semi-Rigid Cable**

Clamp type for flexible cable:  
**6000-1051-0XX** (Gold plated)  
**6000-7051-0XX** (Nickel plated)

Crimp type for flexible cable:  
**6000-1071-0XX** (Gold plated)  
**6000-7071-0XX** (Nickel plated)

Solder-clamp for semi-rigid cable:  
**6000-1041-0XX** (Gold plated)  
**6000-7041-0XX** (Nickel plated)

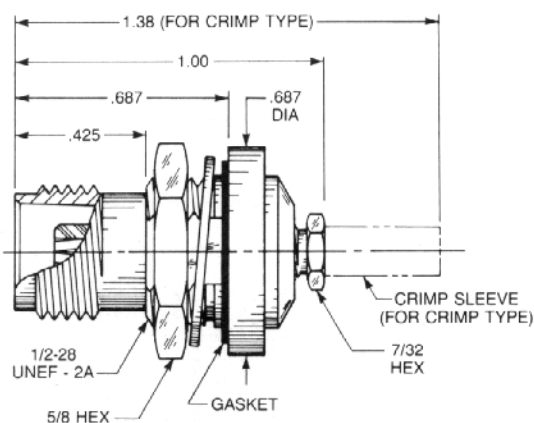


### **Bulkhead Jack Front Mount**

Clamp type for flexible cable:  
**6002-1051-0XX** (Gold plated)  
**6002-7051-0XX** (Nickel plated)

Crimp type for flexible cable:  
**6002-1071-0XX** (Gold plated)  
**6002-7071-0XX** (Nickel plated)

Solder-clamp for semi-rigid cable:  
**6002-1041-0XX** (Gold plated)  
**6002-7041-0XX** (Nickel plated)



### **Bulkhead Jack Rear Mount**

Clamp type for flexible cable:  
**6001-1051-0XX** (Gold plated)  
**6001-7051-0XX** (Nickel plated)

Crimp type for flexible cable:  
**6001-1071-0XX** (Gold plated)  
**6001-7071-0XX** (Nickel plated)

Solder-clamp for semi-rigid cable:  
**6001-1041-0XX** (Gold plated)  
**6001-7041-0XX** (Nickel plated)

Substitute the appropriate cable group for 'XX':

02	RG178, RG196, M17/93, M17/169	09	.141" semi-rigid, RG402, M17/130
03	RG174, RG179, RG316, M17/113, M17/119, M17/172, M17/173	10	.085" semi-rigid, RG405, M17/133
05	RG178DS, RG196DS	19	RG174DS, RG316DS, M17/152, Times RD316