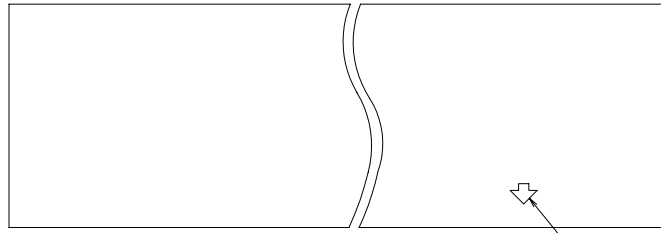
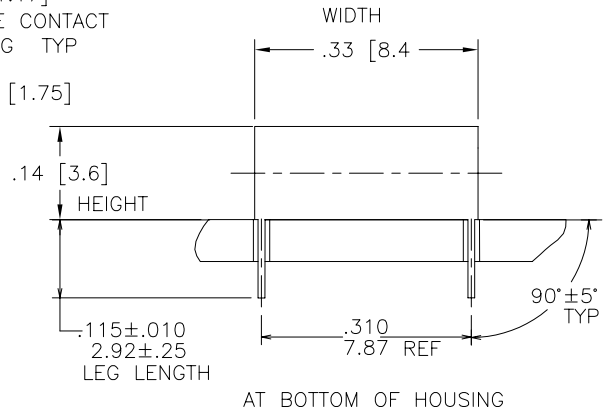
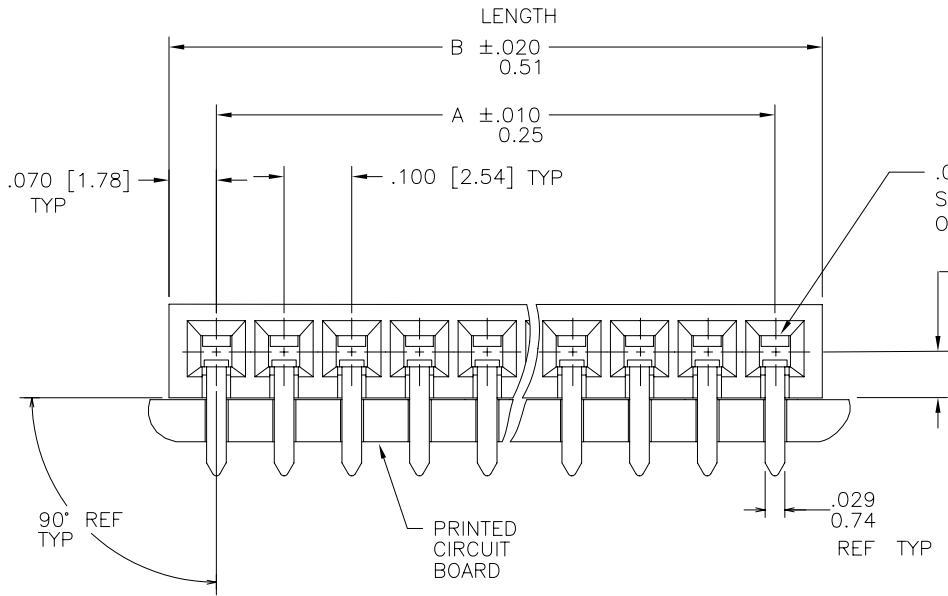


PRODUCT NO
SEE TABLE



ARROW INDICATES PIN INSERTION SIDE



mat'l. code				surface ISO 1302 ✓		tolerance ISO 406 ISO 1101		projection ⊕		product family CARD CONN			
ltr				ecn no		dr		date		tolerances unless otherwise specified			
F				V31419		MRC		11/5/93		.XX±.01/.X±.3			
G				V61642		LSS		11/26/96		linear .XXX±.0.005/.XX±.13			
H				V7098		EPK		9/25/97		0'±2' .XXXX±.0020/.XXX±.051			
J				V02518		MDF		10/30/00		dr		B. ASHREFI 10/21/81	
K				M05-0199		ERE		09/15/05		enr		D.NEIDICH 11/14/85	
L				M06-0210		MHT		6/03/06		chr		D.NEIDICH 11/14/85	
								appd		D.NEIDICH 11/20/85			
sheet		revision		L		L		L		L		L	
index		sheet		1		2		3		4			



title
1X.100/2.54
CARD CONNECTOR

dwg no
67207

sheet 1 of 4 size
A3

type Product Customer Drawing



Copyright FCI

PRODUCT NO
SEE TABLE

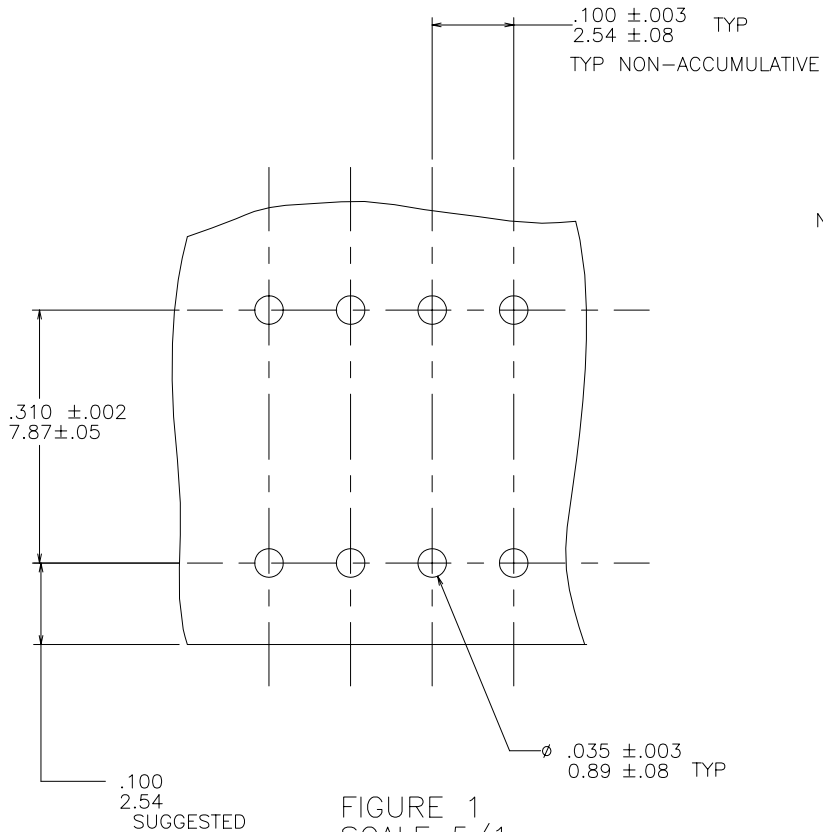


FIGURE 1
SCALE 5/1

NOTES.

- ① HOUSING MATERIAL.
FILLED HIGH TEMPERATURE NYLON
COLOR. BLACK
- ② TERMINAL MATERIAL.
BODY. BRASS .010/.25 THICK.
SPRING. BE-CU. HEAT TREATED
BODY PLATING:
15u"/.38u Au OVER 50u"/1.27u Ni
IN CONTACT AREA.
SPRING PLATING. GOLD FLASH
3. MARK FCI PART NUMBER AND DATE CODE LEGIBLE
ON TUBE LABEL.
4. APPLICATION INFORMATION.
A. RECOMMENDED MOUNTING HOLE PATTERN IS SHOWN IN
FIG. "1".
B. ALL MATING PINS TO BE .025/.64 SQUARE ON TRUE CENTER
OF GIVEN TERMINAL SPACINGS WITHIN .015/.38 DIA.
C. SUGGESTED MATING PIN LENGTH $.350 \pm .020 / 8.89 \pm .51$.
- ⑤ ADD "LF" SUFFIX AT THE END OF PART NUMBER FOR LEAD
FREE OPTION.
- ⑥ THESE PRODUCT MEET EUROPEAN UNION DIRECTIVES AND
OTHER COUNTRY REGULATIONS AS DESCRIBED IN GS-22-008.
7. THIS PART WILL WITHSTAND EXPOSURE TO 260°C PEAK
TEMPERATURE FOR 20 SECONDS IN WAVE SOLDER,
INFRA-RED OR VAPOR PHASE SOLDER PROCESS.



FCIconnect.com

Copyright FCI

mat'l. code		surface ISO 1302 <input checked="" type="checkbox"/>		tolerance ISO 406 ISO 1101		projection 		product family CARD CONN			
ltr		ecn no		dr		date		title			
L								1X.100/2.54 CARD CONNECTOR			
		angles		linear		.XX±.01/.X±.3		INCH/MM			
		0'±2'				.XXX±.0.005/.XX±.13		scale 4:1			
						.XXXX±.0020/.XXX±.051		dwg no 67207			
				dr		B. ASHREFI 10/21/81		sheet 2 of 4 size A3			
				enr		D.NEIDICH 11/14/85		type Product Customer Drawing			
				chr		D.NEIDICH 11/14/85					
				appd		D.NEIDICH 11/20/85					
sheet index		revision sheet									

form: A3

PRODUCT NO	NO. OF POS.	DIM. A ±. 010/0. 25	DIM. B ±. 020/0. 51	LEAD FREE OPTION
67207-001	1X1	.000/-00	.140/3.56	OBSOLETE
-002	1X2	.100/2.54	.240/6.10	NOTE 5
-003	1X3	.200/5.08	.340/8.64	
-004	1X4	.300/7.62	.440/11.18	
-005	1X5	.400/10.16	.540/13.72	
-006	1X6	.500/12.70	.640/16.26	
-007	1X7	.600/15.24	.740/18.80	
-008	1X8	.700/17.78	.840/21.34	
-009	1X9	.800/20.32	.940/23.88	
-010	1X10	.900/22.86	1.040/26.42	
-011	1X11	1.000/25.40	1.140/28.96	
-012	1X12	1.100/27.94	1.240/31.50	
-013	1X13	1.200/30.48	1.340/34.04	
-014	1X14	1.300/33.02	1.440/36.58	
-015	1X15	1.400/35.56	1.540/39.12	
-016	1X16	1.500/38.10	1.640/41.66	
-017	1X17	1.600/40.64	1.740/44.20	
-018	1X18	1.700/43.18	1.840/46.74	
-019	1X19	1.800/45.72	1.940/49.28	
-020	1X20	1.900/48.26	2.040/51.82	
-021	1X21	2.000/50.80	2.140/54.36	
-022	1X22	2.100/53.34	2.240/56.90	
-023	1X23	2.200/55.88	2.340/59.44	
-024	1X24	2.300/58.42	2.440/61.98	
-025	1X25	2.400/60.96	2.540/64.52	
-026	1X26	2.500/63.50	2.640/67.06	
-027	1X27	2.600/66.04	2.740/69.60	
-028	1X28	2.700/68.58	2.840/72.14	
-029	1X29	2.800/71.12	2.940/74.68	
-030	1X30	2.900/73.66	3.040/77.22	
-031	1X31	3.000/76.20	3.140/79.76	
-032	1X32	3.100/78.74	3.240/82.30	
-033	1X33	3.200/81.28	3.340/84.84	
-034	1X34	3.300/83.82	3.440/87.38	
-035	1X35	3.400/86.36	3.540/89.92	
-036	1X36	3.500/88.90	3.640/92.46	
-037	1X37	3.600/91.44	3.740/95.00	
-038	1X38	3.700/93.98	3.840/97.54	
-039	1X39	3.800/96.52	3.940/100.08	
67207-040	1X40	3.900/99.06	4.040/102.62	NOTE 5



Copyright FCI

mat'l. code		surface ISO 1302 <input checked="" type="checkbox"/>		tolerance ISO 406 ISO 1101		projection 		product family CARD CONN	
ltr		ecn no		date		tolerances unless otherwise specified		title	
L						.XX±.01/.X±.3 linear .XXX±.0.005/.XX±.13 XXXX±.0020/.XXX±.051		INCH/MM	
				0'±2'		scale 4:1		1X.100/2.54 CARD CONNECTOR	
				dr B. ASHREFI 10/21/81				dwg no sheet 3 of 4 size	
				enr D.NEIDICH 11/14/85				67207 A3	
				chr D.NEIDICH 11/14/85					
				appd D.NEIDICH 11/20/85				type Product Customer Drawing	
sheet index		revision sheet							

PRODUCT NO	NO. OF POS.	DIM. A ±. 010/0. 25	DIM. B ±. 020/0. 51	LEAD FREE OPTION
67207-041	1X41	4. 000/101. 60	4. 140/105. 16	NOTE 5
-042	1X42	4. 100/104. 14	4. 240/107. 70	
-043	1X43	4. 200/106. 68	4. 340/110. 24	
-044	1X44	4. 300/109. 22	4. 440/112. 78	
-045	1X45	4. 400/111. 76	4. 540/115. 32	
-046	1X46	4. 500/114. 30	4. 640/117. 86	
-047	1X47	4. 600/116. 84	4. 740/120. 40	
-048	1X48	4. 700/119. 38	4. 840/122. 94	
-049	1X49	4. 800/121. 92	4. 940/125. 48	
-050	1X50	4. 900/124. 46	5. 040/128. 02	
-051	1X51	5. 000/127. 00	5. 140/130. 56	
67207-052	1X52	5. 100/129. 54	5. 240/133. 10	NOTE 5



Copyright FCJ

mat'l. code		surface ISO 1302	tolerance ISO 406 ISO 1101	projection 	product family CARD CONN
ltr	ecn no	dr	date	tolerances unless otherwise specified	title
L				linear .XX±.01/.X±.3 .XXX±.0.005/.XX±.13 XXXX±.0020/.XXX±.051	1X.100/2.54 CARD CONNECTOR
				0'±2'	scale 4:1
		dr	B. ASHREFI	10/21/81	dwg no
		enr	D.NEIDICH	11/14/85	sheet 4 of 4 size
		chr	D.NEIDICH	11/14/85	67207
		appd	D.NEIDICH	11/20/85	A3
sheet index	revision sheet				type Product Customer Drawing