

Features

- ◆ **5000 Housing:**
 - Available in 2 through 16 circuits
 - Polarized with locking ramp
 - Nylon 6/6 UL94V-0
 - Accepts Leoco 3973,3978,3979 and 3983 crimp terminal
 - Mates with Leoco 5001,5002 plug and 5016 header
- ◆ **5001,5002 Header:**
 - Available in 2 through 16 circuits
 - Polarized with molded friction lock
 - Pin length and plating options are available
 - Pin omit options are available in any circuits
 - Nylon 6/6 UL94V-0
 - 1.14mm(.045") square pin
 - Mates with Leoco 5000 socket
- ◆ **5016 Header:**
 - Available in 2 through 20 circuits
 - Nylon 6/6 UL94V-0
 - Mates with Leoco 5000 socket
 - 1.14mm(.045") tin plated square or round pin options
 - Plating options are available
 - Pin omit options are available in any circuits

Specifications

- ◆ **Current rating:** 5A AC
- ◆ **Voltage rating:** 250V DC
- ◆ **Temperature rating:** -25°C ~ +105°C
- ◆ **Contact resistance:**
 - Initial: 20mΩ max.
 - After environmental test: 40mΩ max.
- ◆ **Insulation resistance:**
 - Initial: 1,000MΩ min.
 - After humidity and thermal shock test: 500MΩ min.
- ◆ **Withstanding voltage:** 1,500V AC /minute
- ◆ **Applicable wire:** AWG 18 to 26
- ◆ **Applicable PC board thickness:** 1.6mm

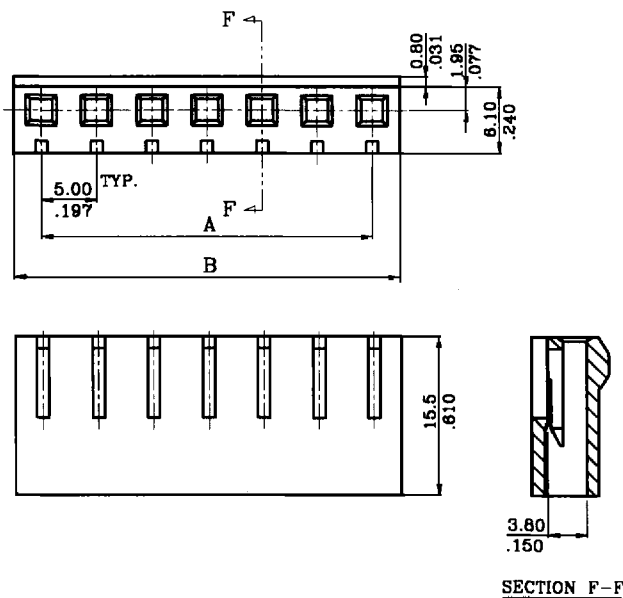
Standards

- Recognized No. E82349
- Certified No. LR65731 (5000,5001,5002)
- Licensed No. R9052140

5000 Series 5.00mm (.197") Crimp Type Socket



Unit : $\frac{\text{mm}}{\text{inch}}$



Dimensional & Ordering Information:

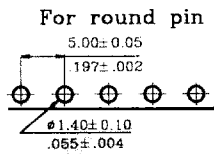
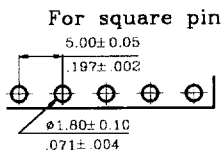
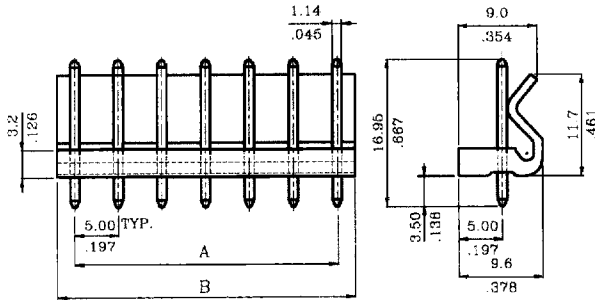
Circuits	Part No.	Dimension	
		A	B
2	5000S020013	5.00(.197)	10.00(.394)
3	5000S030013	10.00(.394)	15.00(.591)
4	5000S040013	15.00(.591)	20.00(.787)
5	5000S050013	20.00(.787)	25.00(.984)
6	5000S060013	25.00(.984)	30.00(1.181)
7	5000S070013	30.00(1.181)	35.00(1.378)
8	5000S080013	35.00(1.378)	40.00(1.575)
9	5000S090013	40.00(1.575)	45.00(1.772)
10	5000S100013	45.00(1.772)	50.00(1.969)
11	5000S110013	50.00(1.969)	55.00(2.165)
12	5000S120013	55.00(2.165)	60.00(2.362)
13	5000S130013	60.00(2.362)	65.00(2.559)
14	5000S140013	65.00(2.559)	70.00(2.756)
15	5000S150013	70.00(2.756)	75.00(2.953)
16	5000S160013	75.00(2.953)	80.00(3.150)

5001 Series 5.00mm (.197") Straight Header



Unit : mm
inch

A



RECOMMENDED HOLE PATTERN

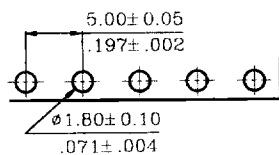
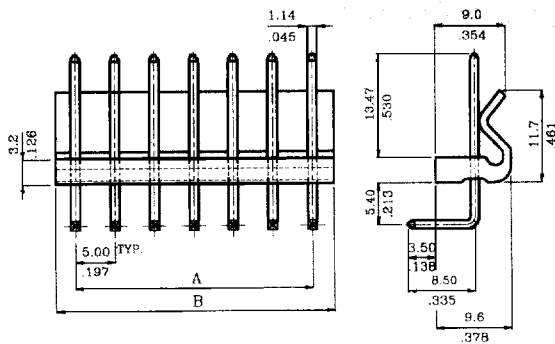
Dimensional & Ordering Information:

Circuits	Part No.		Dimension	
	Square Pin	Round Pin	A	B
2	5001P020013	5001P020R13	5.00(.197)	10.00(.394)
3	5001P030013	5001P030R13	10.00(.394)	15.00(.591)
4	5001P040013	5001P040R13	15.00(.591)	20.00(.787)
5	5001P050013	5001P050R13	20.00(.787)	25.00(.984)
6	5001P060013	5001P060R13	25.00(.984)	30.00(1.181)
7	5001P070013	5001P070R13	30.00(1.181)	35.00(1.378)
8	5001P080013	5001P080R13	35.00(1.378)	40.00(1.575)
9	5001P090013	5001P090R13	40.00(1.575)	45.00(1.772)
10	5001P100013	5001P100R13	45.00(1.772)	50.00(1.969)
11	5001P110013	5001P110R13	50.00(1.969)	55.00(2.165)
12	5001P120013	5001P120R13	55.00(2.165)	60.00(2.362)
13	5001P130013	5001P130R13	60.00(2.362)	65.00(2.559)
14	5001P140013	5001P140R13	65.00(2.559)	70.00(2.756)
15	5001P150013	5001P150R13	70.00(2.756)	75.00(2.953)
16	5001P160013	5001P160R13	75.00(2.953)	80.00(3.150)

5002 Series 5.00mm(.197") Right Angle Header



Unit : mm
inch



RECOMMENDED HOLE PATTERN

Dimensional & Ordering Information:

Circuits	Part No.	Dimension	
		A	B
2	5002P020013	5.00(.197)	10.00(.394)
3	5002P030013	10.00(.394)	15.00(.591)
4	5002P040013	15.00(.591)	20.00(.787)
5	5002P050013	20.00(.787)	25.00(.984)
6	5002P060013	25.00(.984)	30.00(1.181)
7	5002P070013	30.00(1.181)	35.00(1.378)
8	5002P080013	35.00(1.378)	40.00(1.575)
9	5002P090013	40.00(1.575)	45.00(1.772)
10	5002P100013	45.00(1.772)	50.00(1.969)
11	5002P110013	50.00(1.969)	55.00(2.165)
12	5002P120013	55.00(2.165)	60.00(2.362)
13	5002P130013	60.00(2.362)	65.00(2.559)
14	5002P140013	65.00(2.559)	70.00(2.756)
15	5002P150013	70.00(2.756)	75.00(2.953)
16	5002P160013	75.00(2.953)	80.00(3.150)

5016 Series 5.00mm (.197") Single Row Breakaway Header



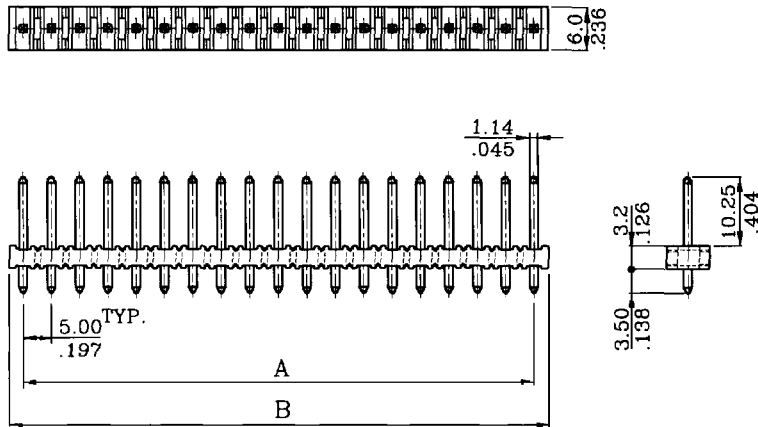
Unit : $\frac{\text{mm}}{\text{inch}}$

Ordering Information:

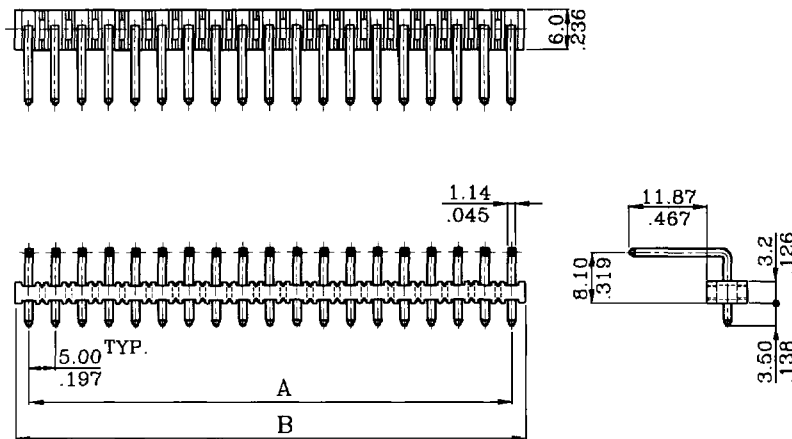
5016P 20 V 000
1 2 3 4

1. Series No.
2. No. of circuits
3. V = Straight (square pin)
H = Right Angle (square pin)
R = Straight (round pin)
4. Special options

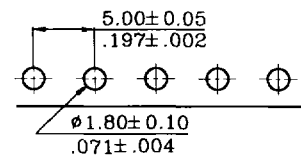
Straight (V version)



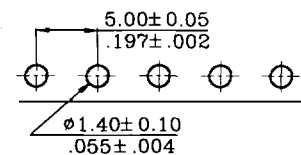
Right Angle (H version)



For square pin



For round pin



RECOMMENDED HOLE PATTERN

A = 5.00mm * No. of spaces

B = A + 5.00mm