

SPECIFICATIONS

Mechanical

Insertion Force: 40N max.
Withdrawal Force: 10N min.
Durability: 2500 Cycles.

Electrical

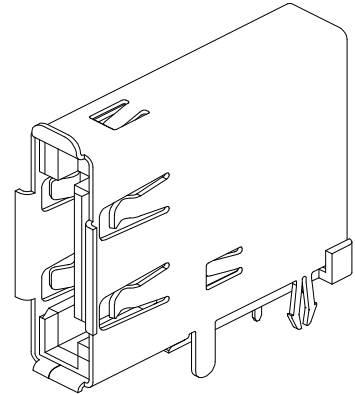
Voltage Rating: 250V.
Current Rating: 1.5A per pin min.
Contact Resistance: 30mΩ max.
Dielectric Withstanding Voltage: 500V AC.
Insulation Resistance: 1000MΩ min.

Physical

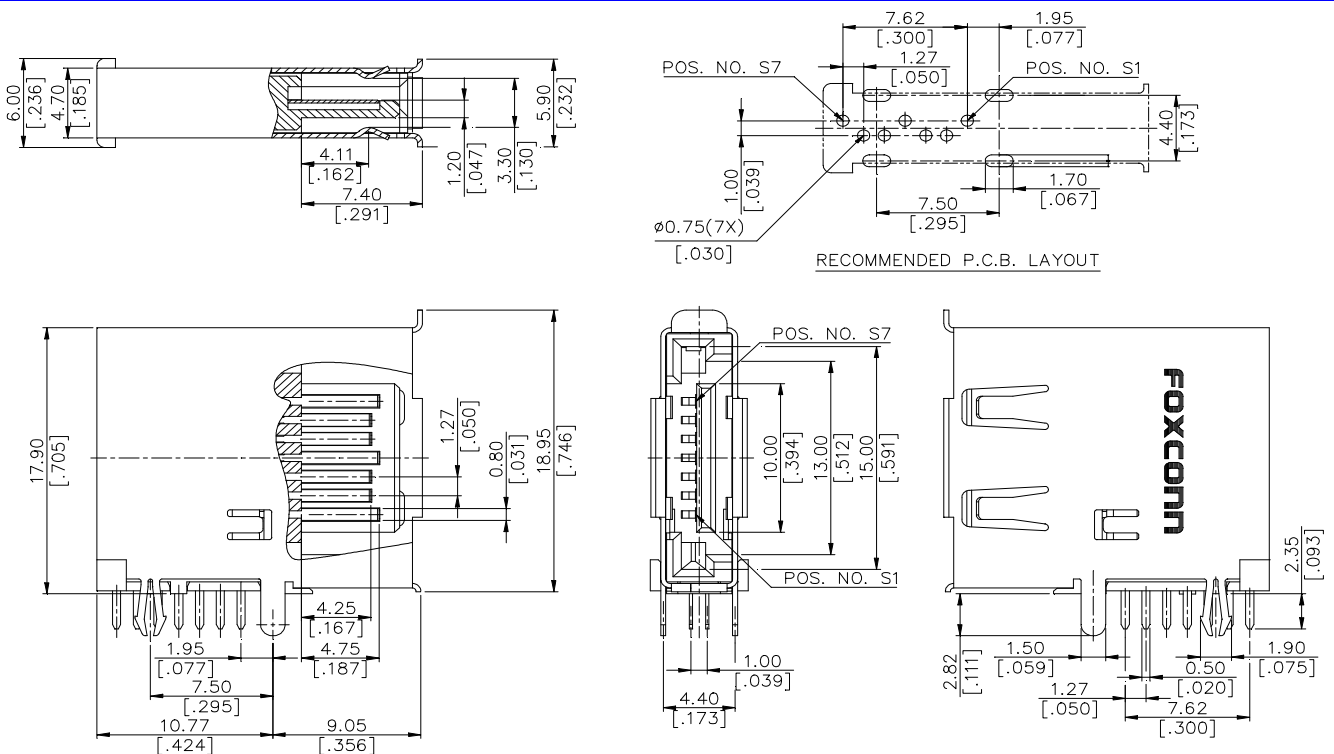
Housing: Thermoplastic, UL 94V-0 rated in Red Color
Housing Color: See "ORDERING INFORMATION"
Contact: Copper alloy
Plating: See "ORDERING INFORMATION"
Operating Temperature: -40°C to +85°C

E-SATA Connector

LD Series
T/H, Vertical Type, PLUG
1.27mm [.050"] Pitch
7 Pos.



DRAWING



ORDERING INFORMATION

PRODUCT NO. : LD 7 8 07 * - S 6 1 *

- S-ATA Series
- Mating End Type
7=External
- Mounting End Type
8 = T/H, V/T
- No. of Pos.
07 = 07 Pos.
- Material Specification
R=PA6T Color Red(1807C)
L=LCP Color Black
- Modification Code
- Outer Shape
6=Shield Type
- S-ATA Specification
S = S-ATA
- Contact Area Plating
F=Gold Flash With RoHS Compliance
H=30u" Gold With RoHS Compliance
V=15u" Gold With RoHS Compliance