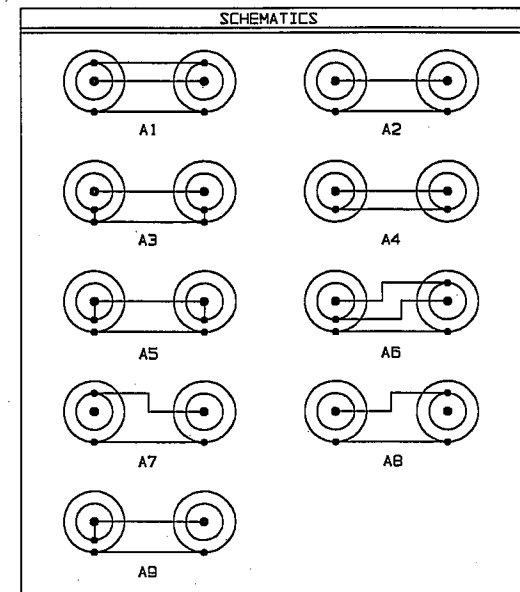
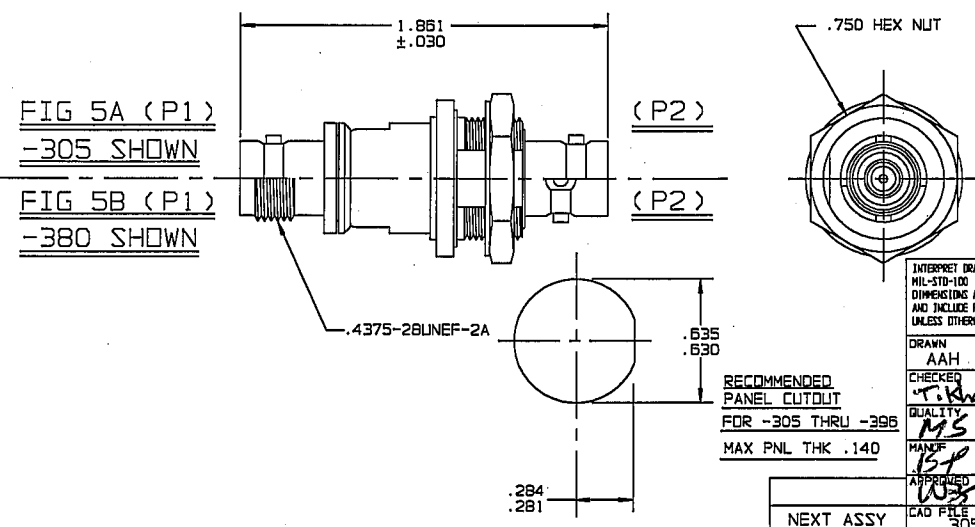
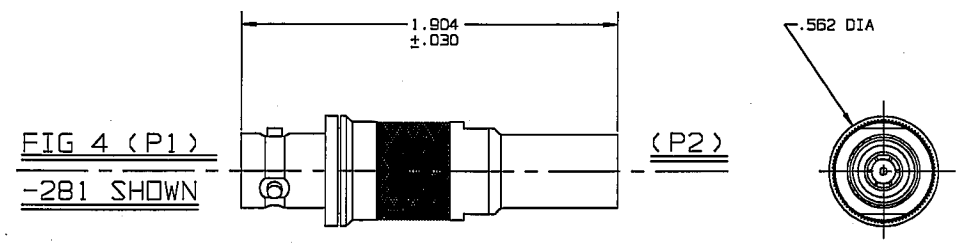
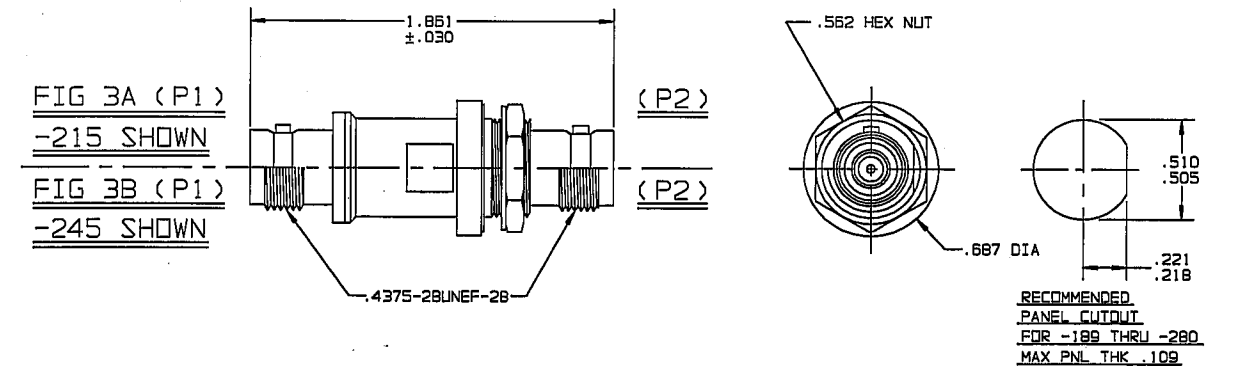
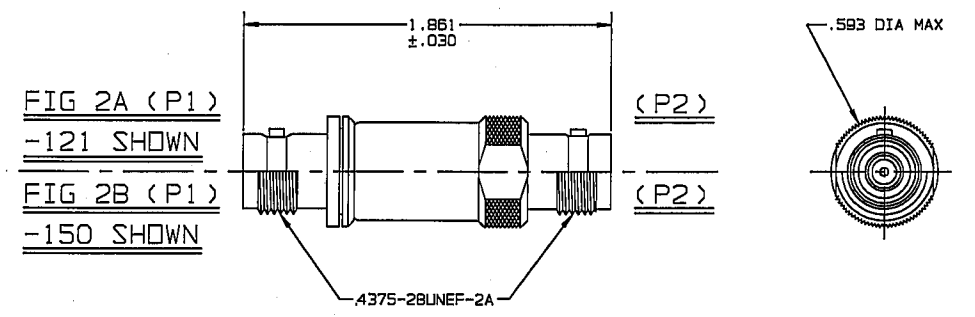
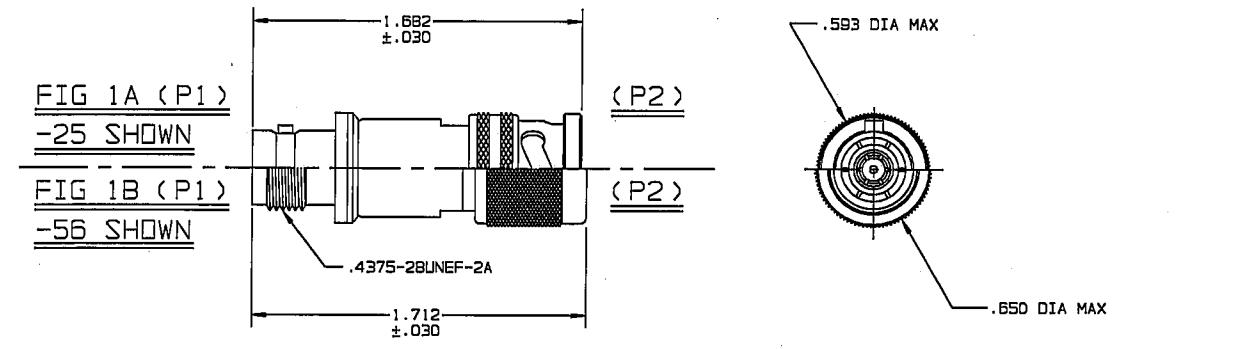


CONN P2	FIG NO	CONN P1 TYPE																																																																																																																																																																																																																																																																																																																																																																																																																																																																																																																																																																																																																																	
		BJ77							BJ377							BJ77TL							BJ77FL																																																																																																																																																																																																																																																																																																																																																																																																																																																																																																																																																																																																												
		A1	A2	A3	A4	A5	A6	A7	A8	A9	A10	A11	A12	A13	A14	A15	A16	A17	A18	A19	A20	A21	A22	A23	A24	A25	A26	A27	A28																																																																																																																																																																																																																																																																																																																																																																																																																																																																																																																																																																																																						
PL74	1A	-1	-2	-3	-4	-5	-6	-397	-398	-399	-400	-401	-402	-403	-404	-405	-406	-407	-408	-409	-410	-411	-412	-413	-414	-415	-416	-417	-418	-419	-420	-421	-422	-423	-424	-425	-426	-427	-428	-429	-430	-431	-432	-433	-434	-435	-436	-437	-438	-439	-440	-441	-442	-443	-444	-445	-446	-447	-448	-449	-450	-451	-452	-453	-454	-455	-456	-457	-458	-459	-460	-461	-462	-463	-464	-465	-466	-467	-468	-469	-470	-471	-472	-473	-474	-475	-476	-477	-478	-479	-480	-481	-482	-483	-484	-485	-486	-487	-488	-489	-490	-491	-492	-493	-494	-495	-496	-497	-498	-499	-500	-501	-502	-503	-504	-505	-506	-507	-508	-509	-510	-511	-512	-513	-514	-515	-516	-517	-518	-519	-520	-521	-522	-523	-524	-525	-526	-527	-528	-529	-530	-531	-532	-533	-534	-535	-536	-537	-538	-539	-540	-541	-542	-543	-544	-545	-546	-547	-548	-549	-550	-551	-552	-553	-554	-555	-556	-557	-558	-559	-560	-561	-562	-563	-564	-565	-566	-567	-568	-569	-570	-571	-572	-573	-574	-575	-576	-577	-578	-579	-580	-581	-582	-583	-584	-585	-586	-587	-588	-589	-590	-591	-592	-593	-594	-595	-596	-597	-598	-599	-600	-601	-602	-603	-604	-605	-606	-607	-608	-609	-610	-611	-612	-613	-614	-615	-616	-617	-618	-619	-620	-621	-622	-623	-624	-625	-626	-627	-628	-629	-630	-631	-632	-633	-634	-635	-636	-637	-638	-639	-640	-641	-642	-643	-644	-645	-646	-647	-648	-649	-650	-651	-652	-653	-654	-655	-656	-657	-658	-659	-660	-661	-662	-663	-664	-665	-666	-667	-668	-669	-670	-671	-672	-673	-674	-675	-676	-677	-678	-679	-680	-681	-682	-683	-684	-685	-686	-687	-688	-689	-690	-691	-692	-693	-694	-695	-696	-697	-698	-699	-700	-701	-702	-703	-704	-705	-706	-707	-708	-709	-710	-711	-712	-713	-714	-715	-716	-717	-718	-719	-720	-721	-722	-723	-724	-725	-726	-727	-728	-729	-730	-731	-732	-733	-734	-735	-736	-737	-738	-739	-740	-741	-742	-743	-744	-745	-746	-747	-748	-749	-750	-751	-752	-753	-754	-755	-756	-757	-758	-759	-760	-761	-762	-763	-764	-765	-766	-767	-768	-769	-770	-771	-772	-773	-774	-775	-776	-777	-778	-779	-780	-781	-782	-783	-784	-785	-786	-787	-788	-789	-790	-791	-792	-793	-794	-795	-796	-797	-798	-799	-800	-801	-802	-803	-804	-805	-806	-807	-808	-809	-810	-811	-812	-813	-814	-815	-816	-817	-818	-819	-820	-821	-822	-823	-824	-825	-826	-827	-828	-829	-830	-831	-832	-833	-834	-835	-836	-837	-838	-839	-840	-841	-842	-843	-844	-845	-846	-847	-848	-849	-850	-851	-852	-853	-854	-855	-856	-857	-858	-859	-860	-861	-862	-863	-864	-865	-866	-867	-868	-869	-870	-871	-872	-873	-874	-875	-876	-877	-878	-879	-880	-881	-882	-883	-884	-885	-886	-887	-888	-889	-890	-891	-892	-893	-894	-895	-896	-897	-898	-899	-900	-901	-902	-903	-904	-905	-906	-907	-908	-909	-910	-911	-912	-913	-914	-915	-916	-917	-918	-919	-920	-921	-922	-923	-924	-925	-926	-927	-928	-929	-930	-931	-932	-933	-934	-935	-936	-937	-938	-939	-940	-941	-942	-943	-944	-945	-946	-947	-948	-949	-950	-951	-952	-953	-954	-955	-956	-957	-958	-959	-960	-961	-962	-963	-964	-965	-966	-967	-968	-969	-970	-971	-972	-973	-974	-975	-976	-977	-978	-979	-980	-981	-982	-983	-984	-985	-986	-987	-988	-989	-990	-991	-992	-993	-994	-995	-996	-997	-998	-999	-1000

DATA CONTAINED IN THIS DOCUMENT IS PROPRIETARY TO TROMPETER ELECTRONICS, INC. AND SHALL NOT BE DISCLOSED, COPIED OR USED FOR PROCUREMENT OR MANUFACTURE WITHOUT EXPRESS WRITTEN PERMISSION OF TROMPETER ELECTRONICS, INC.

REVISIONS		305-1306	SH 1
REV	DESCRIPTION	DATE	APPROVED
C	REVISED PER ECO 15622	9-28-04	MS

RED INDICATES ORIGINAL



- △ FOR SCHEMATIC "A4", ADD .280 FOR OVERALL LENGTH DIM
 - △ FOR "A1" VERSION SEE 3-0236, BJ78FL
 - △ FOR "A1" VERSION SEE 3-0058, BJ378
 - △ FOR "A1" VERSION SEE 3-0002, BJ78
 - △ FOR "A1" VERSION SEE 305-0506, BJ78TL
 - △ FOR "A1" VERSION SEE 3-0224, BJ78FL
 - △ FOR "A1" VERSION SEE 3-0060, AD378
 - △ FOR "A1" VERSION SEE 3-0213, AD78TL
 - △ FOR "A1" VERSION SEE 305-0140, AD78
3. WITHIN SERIES ADAPTER 2-LUG, 3-LUG, 4-LUG & THREADED CONCENTRIC TWINAX/TRIAX RECEPTACLE TO 2-LUG, 3-LUG, 4-LUG & THREADED CONCENTRIC TWINAX/TRIAX PLUG/RECEPTACLE VACUUM READY.
2. FINISH: TFS-1A (NICKLE)
1. ALL DIM ARE IN INCHES
18. ALL MATERIALS MEET THE OUTGASSING REQUIREMENTS OF NASA SPECIFICATIONS SP-R-0022A AND TEI VACUUM READY SPECIFICATION TT-09
- △ FOR SCHEMATIC "A1" SEE 3-0221, BJ73FL
 - △ FOR SCHEMATIC "A1" SEE 3-0059, BJ373
 - △ FOR SCHEMATIC "A1" SEE 3-0057, BJ73
 - △ FOR SCHEMATIC "A1" SEE 3-0215, BJ73TL
13. EXAMPLE OF COMPLETE PART NO:
 305-1306-7
 BASIC NO [] DASH NO []

INTERPRET DRAWING PER MIL-STD-100 DIMENSIONS ARE IN INCHES AND INCLUDE FINISH THICKNESS UNLESS OTHERWISE SPECIFIED	TOL: UNLESS SPECIFIED .XX ± .01 .XXX ± .003 .XXXX ± .0005 ANGLES	TROMPETER ELECTRONICS, INC.	TITLE: ADAPTER: BJ77/TL/FL/377 TO CONCENTRIC TWINAX/TRIAX SERIES VACUUM READY
DRAWN: AAH DATE: 9-20-04	MATERIAL:		SIZE: B CAGE CODE: 14949 DRAWING NO: 305-1306 REV: C
CHECKED: [Signature] DATE: 9-22-04	FINISH:	SCALE: N/A	DATE: 2-1-99 SHEET: 1C
QUALITY: MS DATE: 9/22/04	DO NOT SCALE DWG		
APPROVED: [Signature] DATE: 9/21/04			
CAD FILE NO: 305-1306C			