

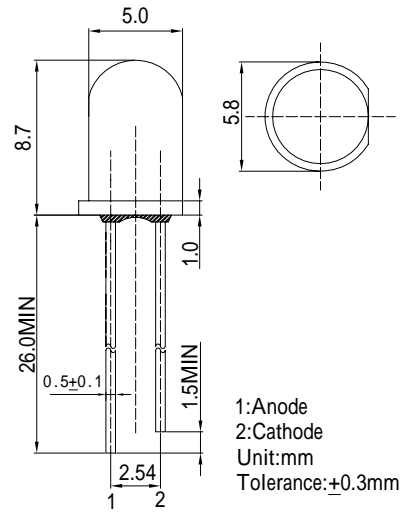
### Features

- High Luminous LEDs
- 5mm Round Standard Directivity
- Superior Weather-resistance
- Flashing Type
- White diffused Type

### Applications

- Toys
- Games
- Clock backlighting
- Other Lighting

### Outline Dimension

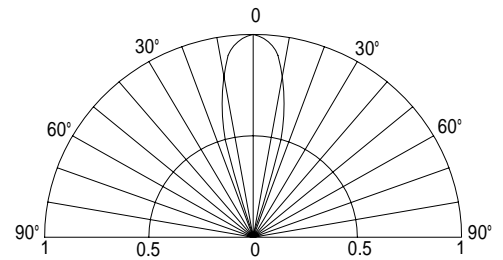


### ■Absolute Maximum Rating

(Ta=25 °C)

Item	Symbol	Value	Unit
Power Supply	Voltage	5	V
Operating Temperature	Topr	-30 ~ +85	
Storage Temperature	Tstg	-40 ~ +100	
Lead Soldering Temperature	Tsol	260 /5sec	-

### ■Directivity



### ■Electrical -Optical Characteristics

(Ta=25 °C)

Item	Symbol	Conditio	Min.	Typ.	Max.	Unit
DC Forward Voltage	V <sub>dd</sub>	I <sub>F</sub> =20mA	3.8	4.5	5.0	V
Oscillator Frequency*	F <sub>led</sub>	I <sub>F</sub> =20mA	-	60	-	S
Duty Cycle	Duty	I <sub>F</sub> =20mA	-	-	-	-
Domi. Wavelength*	λ <sub>D</sub> (Red)	I <sub>F</sub> =20mA	620	625	630	nm
	λ <sub>D</sub> (Blue)	I <sub>F</sub> =20mA	465	470	475	nm
	λ <sub>D</sub> (Green)	I <sub>F</sub> =20mA	520	525	530	nm
Luminous Intensity*	I <sub>v</sub> (Red)	I <sub>F</sub> =20mA	3000	4000	-	mcd
	I <sub>v</sub> (Blue)	I <sub>F</sub> =20mA	1560	2180	-	mcd
	I <sub>v</sub> (Green)	I <sub>F</sub> =20mA	5800	7000	-	mcd
50% Power Angle	2θ <sub>1/2</sub>	I <sub>F</sub> =20mA	-	30	-	deg

\*1 Tolerance of dominant wavelength is ±1nm

\*2 Tolerance of luminous intensity is ±15%

\*3 Tolerance of Frequency is ±20%