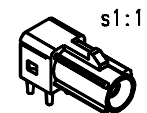


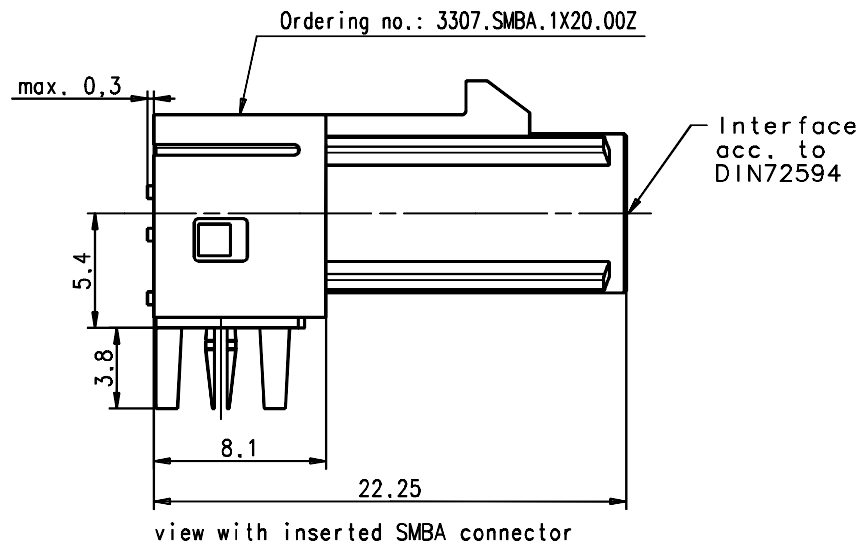
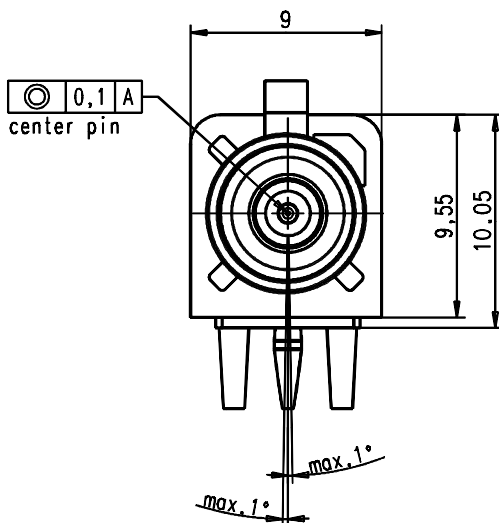
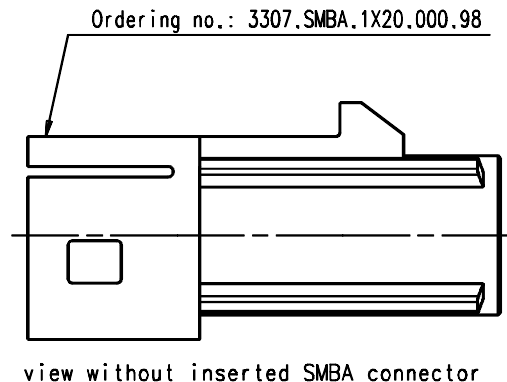
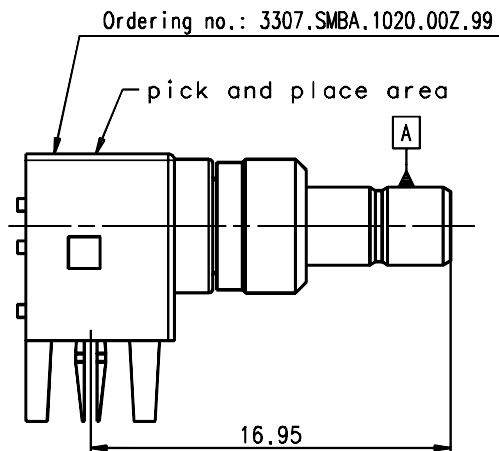
Variable X and Z have to be stated within the drawing number when an order is placed.



s1:1

Variable X= Coding

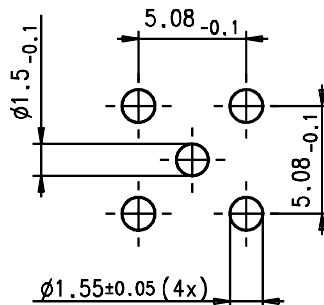
coding X=	A	B	C	D
front view				
colour	deep black	cream white	signal blue	bordeaux violet
coding X=	E	F	G	H
front view				
colour	leaf green	nut brown	blue grey	heather violet
coding X=	I	K	L	M
front view				
colour	beige	curry yellow	carmine red	pastel orange
coding X=	N			
front view				
colour	pastel green			



Variable Z= Plating

Part	Material	Variable Z =		
		1	5	9
Plastic Housing	PA 6.6			
Centre contact	brass	Au	Au	Au
Outer Contact	brass	Au	white bronze	Ni
Insulator	PE			
Housing	diecast	Sn	Sn	Sn
Rest	stain. steel			

PCB-Layout



IMS CONNECTOR SYSTEMS				general tolerance	scale:	
				ISO 2768	Assembly instruction:	
				mH	Stripping dimension:	
507/03	i	Struktur	08.01.04	Glatz	date	name
083/03	k	material table	04.03.03	Glatz	generate	18.07.01
083/03	i	cor. acc. DIN72594	04.03.03	RSc	checked	
444/02	i	DIN72594 angepaßt	17.06.02	Glatz	Norm	
199/02	h	Layout/Coding new	15.03.02	Glatz	36698	
112/02	g	center pin	20.02.02	Glatz		
design	f	center pin length	28.01.02	Glatz		
design	e	plating table	29.11.01	Glatz		
nr.	rev.	alteration	date	name		
					3307.SMBA.1X20.00Z	
						Rev. I