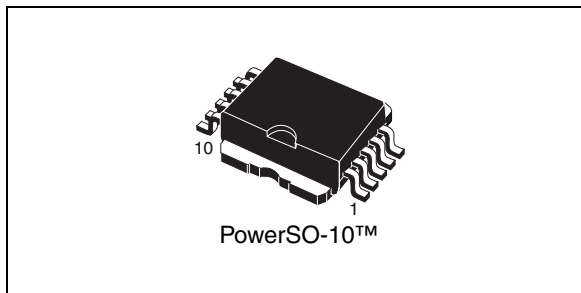


## Double channel high-side driver

### Features

Type	$R_{DS(on)}$	$I_{lim}$	$V_{CC}$
VND600SP-E	30 m $\Omega$	25 A	36 V

- ECOPACK<sup>®</sup>: lead free and RoHS compliant
- Automotive Grade: compliance with AEC Guidelines
- Very low standby current
- CMOS compatible input
- Proportional load current sense
- Current sense disable
- Thermal shutdown protection and diagnosis
- Undervoltage shutdown
- Overvoltage clamp
- Load current limitation



### Description

The VND600SP-E is a monolithic device made using STMicroelectronics<sup>™</sup> VIPower<sup>™</sup> M0-3 technology. It is intended for driving resistive or inductive loads with one side connected to ground. Active  $V_{CC}$  pin voltage clamp protects the device against low energy spikes (see ISO7637 transient compatibility table).

This device has two channels in high-side configuration; each channel has an analog sense output on which the sensing current is proportional (according to a known ratio) to the corresponding load current.

Built-in thermal shutdown and outputs current limitation protect the chip from overtemperature and short circuit. Device turns-off in case of ground pin disconnections.

**Table 1. Device summary**

Package	Order codes	
	Tube	Tape and reel
PowerSO-10 <sup>™</sup>	VND600SP-E	VND600SPTR-E

# Contents

<b>1</b>	<b>Block diagram and pin description</b>	<b>5</b>
<b>2</b>	<b>Electrical specifications</b>	<b>6</b>
2.1	Absolute maximum ratings	6
2.2	Thermal data	7
2.3	Electrical characteristics	8
2.4	Electrical characteristics curves	14
<b>3</b>	<b>Application information</b>	<b>16</b>
3.1	GND protection network against reverse battery	16
3.1.1	Solution 1: resistor in the ground line (RGND only)	16
3.1.2	Solution 2: diode (DGND) in the ground line	17
3.2	Load dump protection	17
3.3	MCU I/Os protection	17
3.4	PowerSO-10 maximum demagnetization energy ( $V_{CC} = 13.5\text{ V}$ )	18
<b>4</b>	<b>Package and PCB thermal data</b>	<b>19</b>
4.1	PowerSO-10 thermal data	19
<b>5</b>	<b>Package and packing information</b>	<b>22</b>
5.1	ECOPACK <sup>®</sup> packages	22
5.2	PowerSO-10 mechanical data	22
5.3	PowerSO-10 packing information	24
<b>6</b>	<b>Revision history</b>	<b>25</b>

## List of tables

Table 1.	Device summary . . . . .	1
Table 2.	Suggested connections for unused and not connected pins . . . . .	5
Table 3.	Absolute maximum ratings . . . . .	6
Table 4.	Thermal data. . . . .	7
Table 5.	Power . . . . .	8
Table 6.	Protection . . . . .	8
Table 7.	V <sub>CC</sub> - output diode. . . . .	9
Table 8.	Current sense $9\text{ V} \leq V_{CC} \leq 16\text{ V}$ . . . . .	9
Table 9.	Switching (V <sub>CC</sub> = 13 V). . . . .	10
Table 10.	Logic input (channel 1, 2) . . . . .	10
Table 11.	Truth table (per each channel) . . . . .	11
Table 12.	Electrical transient requirements on V <sub>CC</sub> pin (part 1) . . . . .	12
Table 13.	Electrical transient requirements on V <sub>CC</sub> pin (part 2) . . . . .	12
Table 14.	Electrical transient requirements on V <sub>CC</sub> pin (part 3) . . . . .	12
Table 15.	Thermal parameter . . . . .	21
Table 16.	PowerSO-10 mechanical data . . . . .	23
Table 17.	Document revision history . . . . .	25

## List of figures

Figure 1.	Block diagram . . . . .	5
Figure 2.	Configuration diagram (top view) . . . . .	5
Figure 3.	Current and voltage conventions . . . . .	6
Figure 4.	Switching characteristics (resistive load $R_L = 2.6 \Omega$ ) . . . . .	10
Figure 5.	$I_{OUT}/I_{SENSE}$ versus $I_{OUT}$ . . . . .	11
Figure 6.	Waveforms . . . . .	13
Figure 7.	Off-state output current . . . . .	14
Figure 8.	High level input current . . . . .	14
Figure 9.	Input low level . . . . .	14
Figure 10.	Input high level . . . . .	14
Figure 11.	Input clamp voltage . . . . .	14
Figure 12.	Input hysteresis voltage . . . . .	14
Figure 13.	Overshoot shutdown . . . . .	15
Figure 14.	$I_{LIM}$ vs $T_{case}$ . . . . .	15
Figure 15.	Turn-on voltage slope . . . . .	15
Figure 16.	Turn-off voltage slope . . . . .	15
Figure 17.	On-state resistance vs $T_{case}$ . . . . .	15
Figure 18.	On-state resistance vs $V_{CC}$ . . . . .	15
Figure 19.	Application schematic . . . . .	16
Figure 20.	Maximum turn- off current versus load inductance <sup>(1)</sup> . . . . .	18
Figure 21.	PowerSO-10 PC board <sup>(1)</sup> . . . . .	19
Figure 22.	$R_{thj-amb}$ vs PCB copper area in open box free air condition . . . . .	19
Figure 23.	PowerSO-10 thermal impedance junction ambient single pulse . . . . .	20
Figure 24.	Thermal fitting model of a double channel HSD in PowerSO-10 . . . . .	20
Figure 25.	PowerSO-10 package dimensions . . . . .	22
Figure 26.	PowerSO-10 suggested pad layout and tube shipment (no suffix) . . . . .	24
Figure 27.	Tape and reel shipment (suffix "TR") . . . . .	24

# 1 Block diagram and pin description

Figure 1. Block diagram

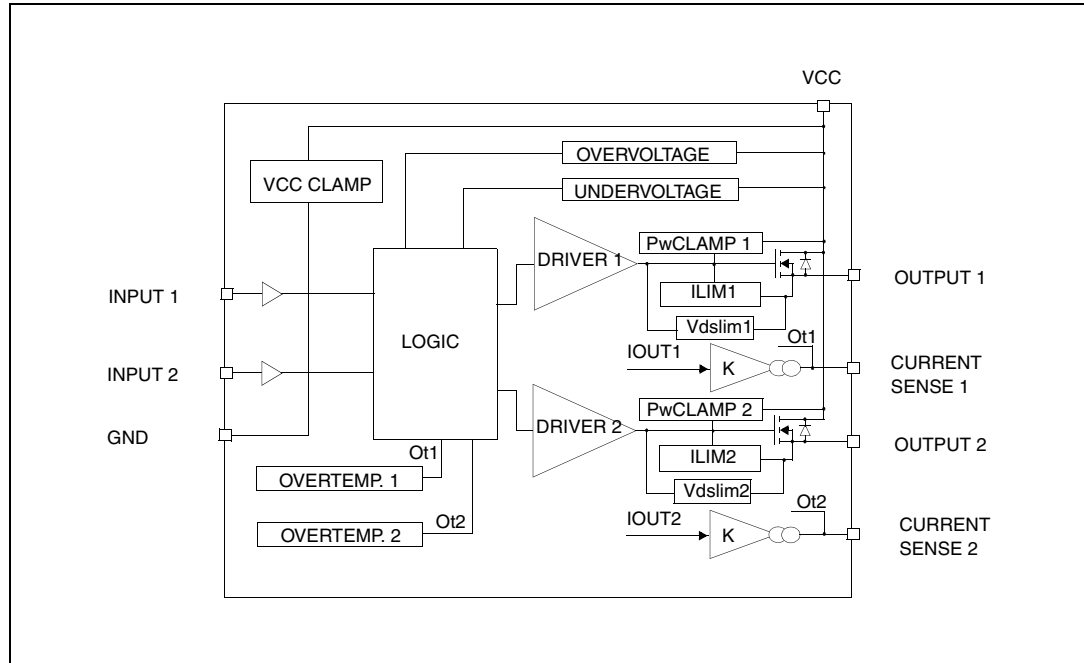


Figure 2. Configuration diagram (top view)

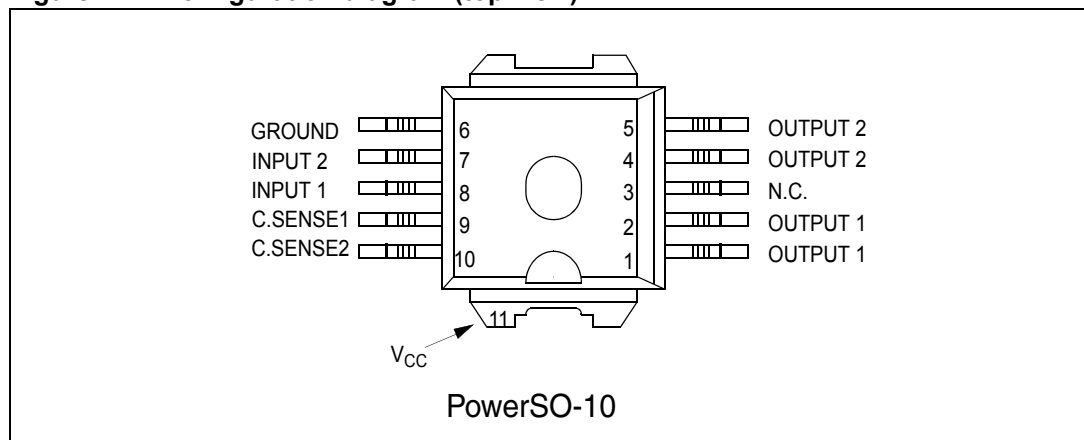
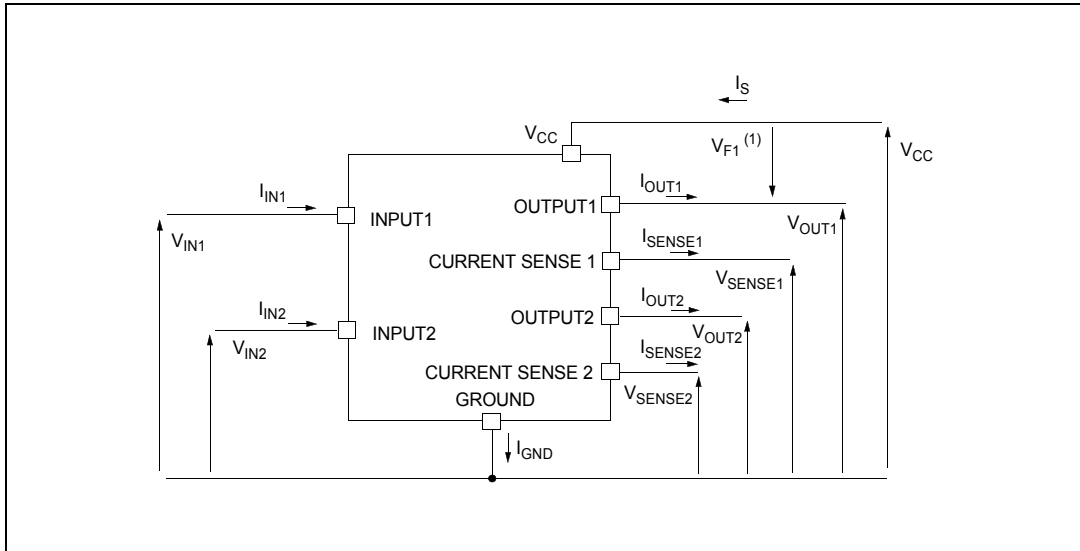


Table 2. Suggested connections for unused and not connected pins

Connection / pin	Current sense	N.C.	Output	Input
Floating		X	X	X
To ground	Through 1 KΩ resistor	X		Through 10 KΩ resistor

## 2 Electrical specifications

Figure 3. Current and voltage conventions



1)  $V_{Fn} = V_{CCn} - V_{OUTn}$  during reverse battery condition

### 2.1 Absolute maximum ratings

Stressing the device above the rating listed in [Table 3](#) may cause permanent damage to the device. These are stress ratings only and operation of the device at these or any other conditions above those indicated in the operating sections of this specification is not implied. Exposure to absolute maximum rating conditions for extended periods may affect device reliability. Refer also to the STMicroelectronics sure program and other relevant quality document.

Table 3. Absolute maximum ratings

Symbol	Parameter	Value	Unit
$V_{CC}$	DC supply voltage	41	V
$-V_{CC}$	Reverse supply voltage	-0.3	V
$-I_{GND}$	DC reverse ground pin current	-200	mA
$I_{OUT}$	Output current	Internally limited	A
$I_R$	Reverse output current	-21	A
$I_{IN}$	Input current	+/- 10	mA
$V_{CSENSE}$	Current sense maximum voltage	-3	V
		+15	V

**Table 3. Absolute maximum ratings (continued)**

Symbol	Parameter	Value	Unit
V <sub>ESD</sub>	Electrostatic discharge (Human Body Model: R = 1.5 KΩ; C = 100 pF)		
	– INPUT	4000	V
	– CURRENT SENSE	2000	V
	– OUTPUT	5000	V
	– V <sub>CC</sub>	5000	V
E <sub>MAX</sub>	Maximum switching energy (L = 0.13 mH; R <sub>L</sub> = 0 Ω; V <sub>bat</sub> = 13.5 V; T <sub>jstart</sub> = 150 °C; I <sub>L</sub> = 40 A)	145	mJ
P <sub>tot</sub>	Power dissipation at T <sub>c</sub> = 25 °C	96.1	W
T <sub>j</sub>	Junction operating temperature	Internally limited	°C
T <sub>c</sub>	Case operating temperature	-40 to 150	°C
T <sub>STG</sub>	Storage temperature	-55 to 150	°C

## 2.2 Thermal data

**Table 4. Thermal data**

Symbol	Parameter	Value		Unit
R <sub>thj-case</sub>	Thermal resistance junction-case (max)	1.3		°C/W
R <sub>thj-amb</sub>	Thermal resistance junction-ambient (max)	51.3 <sup>(1)</sup>	37 <sup>(2)</sup>	°C/W

- When mounted on a standard single sided FR-4 board with 0.5 cm<sup>2</sup> of Cu (at least 35 μm thick).
- When mounted on a standard single-sided FR-4 board with 6 cm<sup>2</sup> of Cu (at least 35 μm thick).

## 2.3 Electrical characteristics

Values specified in this section are for  $8\text{ V} < V_{CC} < 36\text{ V}$ ;  $-40\text{ °C} < T_j < 150\text{ °C}$ , unless otherwise stated. (Per each channel).

**Table 5. Power**

Symbol	Parameter	Test conditions	Min.	Typ.	Max.	Unit
$V_{CC}^{(1)}$	Operating supply voltage		5.5	13	36	V
$V_{USD}^{(1)}$	Undervoltage shutdown		3	4	5.5	V
$V_{OV}^{(1)(2)}$	Overvoltage shutdown		36			V
$R_{ON}$	On-state resistance	$I_{OUT} = 5\text{ A}$ ; $T_j = 25\text{ °C}$			30	mΩ
		$I_{OUT} = 5\text{ A}$ ; $T_j = 150\text{ °C}$			60	mΩ
		$I_{OUT} = 3\text{ A}$ ; $V_{CC} = 6\text{ V}$			100	mΩ
$V_{clamp}$	Clamp voltage	$I_{CC} = 20\text{ mA}^{(2)}$	41	48	55	V
$I_S^{(1)}$	Supply current	Off-state; $V_{CC} = 13\text{ V}$ ; $V_{IN} = V_{OUT} = 0\text{ V}$		12	40	μA
		Off-state; $V_{CC} = 13\text{ V}$ ; $V_{IN} = V_{OUT} = 0\text{ V}$ ; $T_j = 25\text{ °C}$		12	25	mA
		On-state; $V_{IN} = 5\text{ V}$ ; $V_{CC} = 13\text{ V}$ ; $I_{OUT} = 0\text{ A}$ ; $R_{SENSE} = 3.9\text{ k}\Omega$			6	mA
$I_{L(off1)}$	Off-state output current	$V_{IN} = V_{OUT} = 0\text{ V}$	0		50	μA
$I_{L(off2)}$	Off-state output current	$V_{IN} = 0\text{ V}$ ; $V_{OUT} = 3.5\text{ V}$	-75		0	μA
$I_{L(off3)}$	Off-state output current	$V_{IN} = V_{OUT} = 0\text{ V}$ ; $V_{CC} = 13\text{ V}$ ; $T_j = 125\text{ °C}$			5	μA
$I_{L(off4)}$	Off-state output current	$V_{IN} = V_{OUT} = 0\text{ V}$ ; $V_{CC} = 13\text{ V}$ ; $T_j = 25\text{ °C}$			3	μA

1. Per device.

2.  $V_{clamp}$  and  $V_{OV}$  are correlated. Typical difference is 5 V.

**Table 6. Protection<sup>(1)</sup>**

Symbol	Parameter	Test conditions	Min.	Typ.	Max.	Unit
$I_{lim}$	DC short circuit current	$V_{CC} = 13\text{ V}$	25	40	70	A
		$5.5\text{ V} < V_{CC} < 36\text{ V}$			70	A
$T_{TSD}$	Thermal shutdown temperature		150	175	200	°C
$T_R$	Thermal reset temperature		135			°C
$T_{HYST}$	Thermal hysteresis		7	15		°C



**Table 6. Protection<sup>(1)</sup> (continued)**

Symbol	Parameter	Test conditions	Min.	Typ.	Max.	Unit
$V_{\text{demag}}$	Turn-off output voltage clamp	$I_{\text{OUT}} = 2 \text{ A}$ ; $V_{\text{IN}} = 0 \text{ V}$ ; $L = 6 \text{ mH}$	$V_{\text{CC}}-41$	$V_{\text{CC}}-48$	$V_{\text{CC}}-55$	V
$V_{\text{ON}}$	Output voltage drop limitation	$I_{\text{OUT}} = 0.5 \text{ A}$ $T_j = -40 \text{ }^\circ\text{C} \dots +150 \text{ }^\circ\text{C}$		50		mV

1. To ensure long term reliability under heavy overload or short circuit conditions, protection and related diagnostic signals must be used together with a proper software strategy. If the device is subjected to abnormal conditions, this software must limit the duration and number of activation cycles

**Table 7.  $V_{\text{CC}}$  - output diode**

Symbol	Parameter	Test conditions	Min	Typ	Max	Unit
$V_{\text{F}}$	Forward on voltage	$-I_{\text{OUT}} = 2.6 \text{ A}$ ; $T_j = 150 \text{ }^\circ\text{C}$	-	-	0.6	V

**Table 8. Current sense  $9 \text{ V} \leq V_{\text{CC}} \leq 16 \text{ V}$** 

Symbol	Parameter	Test conditions	Min	Typ	Max	Unit
$K_1$	$I_{\text{OUT}}/I_{\text{SENSE}}$	$I_{\text{OUT1}}$ or $I_{\text{OUT2}} = 0.5 \text{ A}$ ; $V_{\text{SENSE}} = 0.5 \text{ V}$ ; other channels open; $T_j = -40 \text{ }^\circ\text{C} \dots 150 \text{ }^\circ\text{C}$	3300	4400	6000	
$dK_1/K_1$	Current sense ratio drift	$I_{\text{OUT1}}$ or $I_{\text{OUT2}} = 0.5 \text{ A}$ ; $V_{\text{SENSE}} = 0.5 \text{ V}$ ; other channels open; $T_j = -40 \text{ }^\circ\text{C} \dots 150 \text{ }^\circ\text{C}$	-10		+10	%
$K_2$	$I_{\text{OUT}}/I_{\text{SENSE}}$	$I_{\text{OUT1}}$ or $I_{\text{OUT2}} = 5 \text{ A}$ ; $V_{\text{SENSE}} = 4 \text{ V}$ ; other channels open; $T_j = -40 \text{ }^\circ\text{C}$ $T_j = 25 \text{ }^\circ\text{C} \dots 150 \text{ }^\circ\text{C}$	4200 4400	4900 4900	6000 5750	
$dK_2/K_2$	Current sense ratio drift	$I_{\text{OUT1}}$ or $I_{\text{OUT2}} = 5 \text{ A}$ ; $V_{\text{SENSE}} = 4 \text{ V}$ ; other channels open; $T_j = -40 \text{ }^\circ\text{C} \dots 150 \text{ }^\circ\text{C}$	-6		+6	%
$K_3$	$I_{\text{OUT}}/I_{\text{SENSE}}$	$I_{\text{OUT1}}$ or $I_{\text{OUT2}} = 15 \text{ A}$ ; $V_{\text{SENSE}} = 4 \text{ V}$ ; other channels open; $T_j = -40 \text{ }^\circ\text{C}$ $T_j = 25 \text{ }^\circ\text{C} \dots 150 \text{ }^\circ\text{C}$	4200 4400	4900 4900	5500 5250	
$dK_3/K_3$	Current sense ratio drift	$I_{\text{OUT1}}$ or $I_{\text{OUT2}} = 15 \text{ A}$ ; $V_{\text{SENSE}} = 4 \text{ V}$ ; other channels open; $T_j = -40 \text{ }^\circ\text{C} \dots 150 \text{ }^\circ\text{C}$	-6		+6	%
$V_{\text{SENSE1,2}}$	Max analog sense output voltage	$V_{\text{CC}} = 5.5 \text{ V}$ ; $I_{\text{OUT1,2}} = 2.5 \text{ A}$ ; $R_{\text{SENSE}} = 10 \text{ k}\Omega$	2			V
		$V_{\text{CC}} > 8 \text{ V}$ ; $I_{\text{OUT1,2}} = 5 \text{ A}$ ; $R_{\text{SENSE}} = 10 \text{ k}\Omega$	4			V
$V_{\text{SENSEH}}$	Analog sense output voltage in overtemperature condition	$V_{\text{CC}} = 13 \text{ V}$ ; $R_{\text{SENSE}} = 3.9 \text{ k}\Omega$		5.5		V

**Table 8. Current sense 9 V ≤ V<sub>CC</sub> ≤ 16 V (continued)**

Symbol	Parameter	Test conditions	Min	Typ	Max	Unit
R <sub>VSENSEH</sub>	Analog sense output impedance in overtemperature condition	V <sub>CC</sub> = 13 V; T <sub>j</sub> > T <sub>TSD</sub> ; All channels open		400		Ω
t <sub>DSENSE</sub>	Current sense delay response	to 90% I <sub>SENSE</sub> <sup>(1)</sup>			500	μs

1. Current sense signal delay after positive input slope.

**Table 9. Switching (V<sub>CC</sub> = 13 V)**

Symbol	Parameter	Test conditions	Min	Typ	Max	Unit
t <sub>d(on)</sub>	Turn-on delay time	R <sub>L</sub> = 2.6 Ω (see <a href="#">Figure 4</a> )	-	30	-	μs
t <sub>d(off)</sub>	Turn-on delay time	R <sub>L</sub> = 2.6 Ω (see <a href="#">Figure 4</a> )	-	30	-	μs
(dV <sub>OUT</sub> /dt) <sub>on</sub>	Turn-on voltage slope	R <sub>L</sub> = 2.6 Ω (see <a href="#">Figure 4</a> )	-	<a href="#">Figure 15</a>	-	V/μs
(dV <sub>OUT</sub> /dt) <sub>off</sub>	Turn-off voltage slope	R <sub>L</sub> = 2.6 Ω (see <a href="#">Figure 4</a> )	-	<a href="#">Figure 16</a>	-	V/μs

**Table 10. Logic input (channel 1, 2)**

Symbol	Parameter	Test conditions	Min	Typ	Max	Unit
V <sub>IL</sub>	Input low level voltage				1.25	V
I <sub>IL</sub>	Low level input current	V <sub>IN</sub> = 1.25 V	1			μA
V <sub>IH</sub>	Input high level voltage		3.25			V
I <sub>IH</sub>	High level input current	V <sub>IN</sub> = 3.25 V			10	μA
V <sub>I(hyst)</sub>	Input hysteresis voltage		0.5			V
V <sub>ICL</sub>	Input clamp voltage	I <sub>IN</sub> = 1 mA	6	6.8	8	V
		I <sub>IN</sub> = -1 mA		-0.7		V

Figure 4. Switching characteristics (resistive load  $R_L = 2.6 \Omega$ )

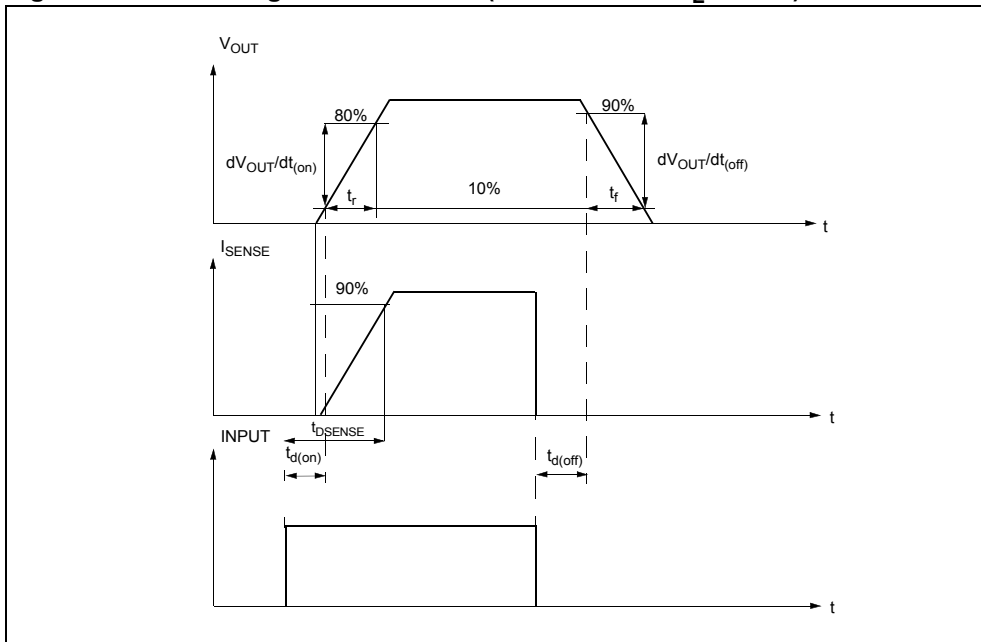


Figure 5.  $I_{OUT}/I_{SENSE}$  versus  $I_{OUT}$

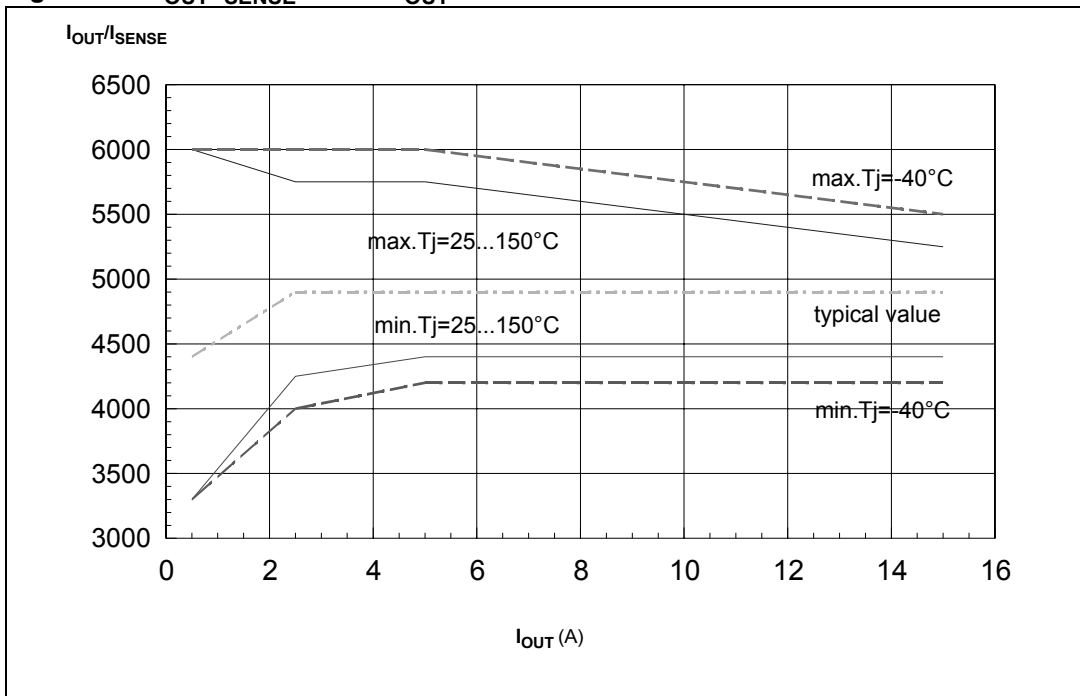


Table 11. Truth table (per each channel)

Conditions	Input	Output	Sense
Normal operation	L	L	0
	H	H	Nominal
Overtemperature	L	L	0
	H	L	$V_{SENSEH}$
Undervoltage	L	L	0
	H	L	0
Overvoltage	L	L	0
	H	L	0
Short circuit to GND	L	L	0
	H	L	$(T_j < T_{TSD})$ 0
	H	L	$(T_j > T_{TSD})$ $V_{SENSEH}$
Short circuit to $V_{CC}$	L	H	0
	H	H	< Nominal
Negative output voltage clamp	L	L	0

Table 12. Electrical transient requirements on V<sub>CC</sub> pin (part 1)

ISO T/R 7637/1 test pulse	Test levels				Delays and impedance
	I	II	III	IV	
1	-25 V	-50 V	-75 V	-100 V	2 ms, 10 Ω
2	+25 V	+50 V	+75 V	+100 V	0.2 ms, 10 Ω
3a	-25 V	-50 V	-100 V	-150 V	0.1 μs, 50 Ω
3b	+25 V	+50 V	+75 V	+100 V	0.1 μs, 50 Ω
4	-4 V	-5 V	-6 V	-7 V	100 ms, 0.01 Ω
5	+26.5 V	+46.5 V	+66.5 V	+86.5 V	400 ms, 2 Ω

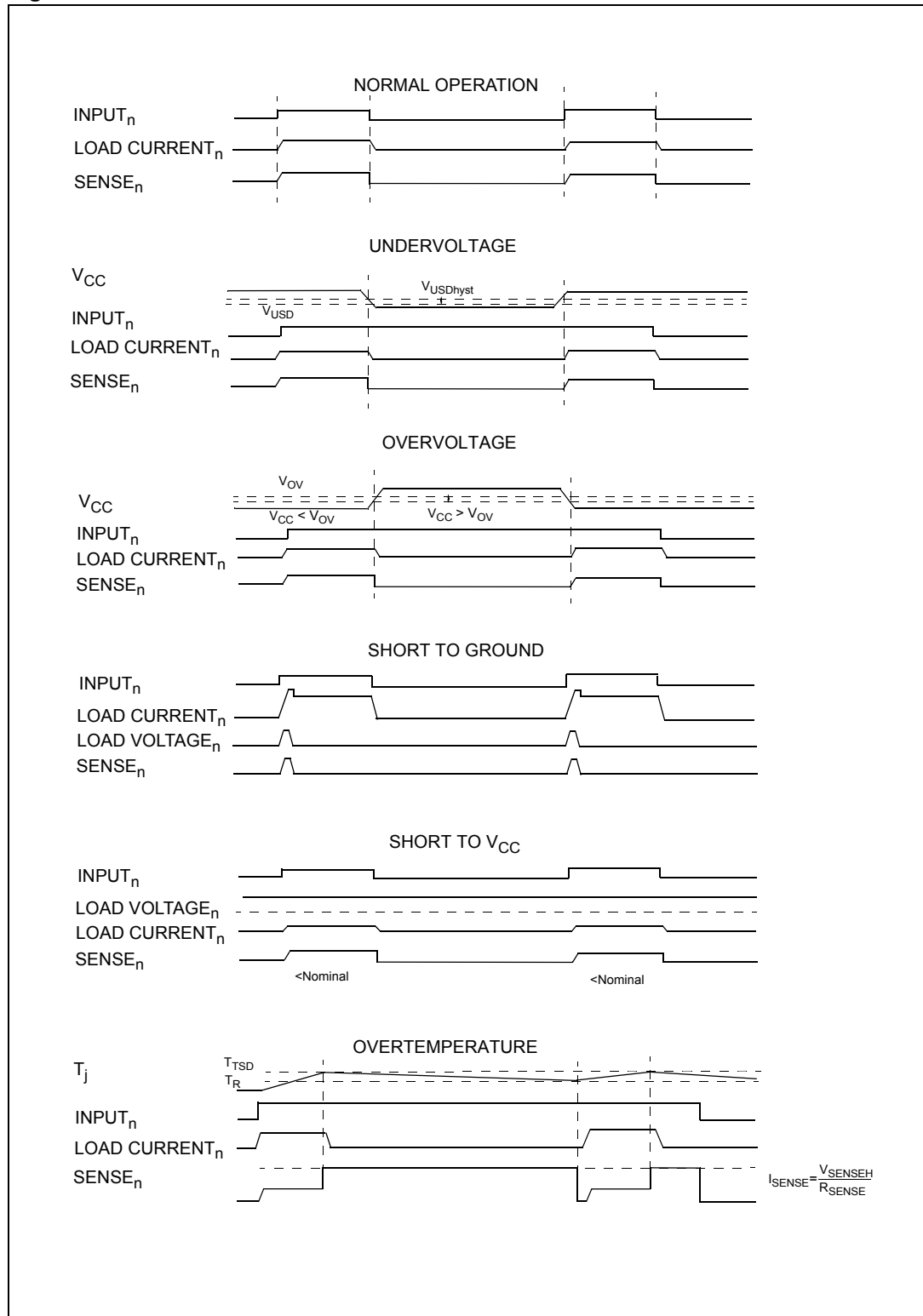
Table 13. Electrical transient requirements on V<sub>CC</sub> pin (part 2)

ISO T/R 7637/1 Test pulse	Test levels results			
	I	II	III	IV
1	C	C	C	C
2	C	C	C	C
3a	C	C	C	C
3b	C	C	C	C
4	C	C	C	C
5	C	E	E	E

Table 14. Electrical transient requirements on V<sub>CC</sub> pin (part 3)

Class	Contents
C	All functions of the device are performed as designed after exposure to disturbance.
E	One or more functions of the device is not performed as designed after exposure to disturbance and cannot be returned to proper operation without replacing the device.

Figure 6. Waveforms



## 2.4 Electrical characteristics curves

Figure 7. Off-state output current

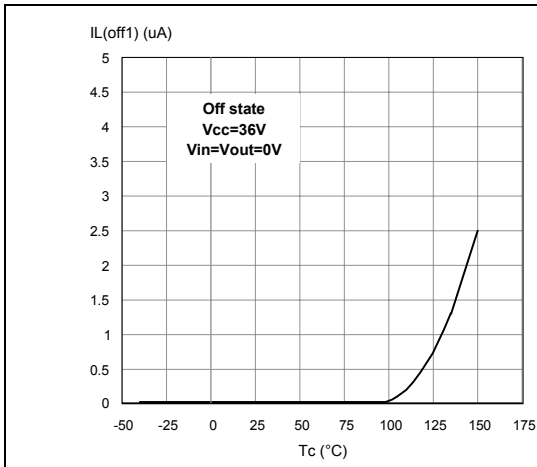


Figure 8. High level input current

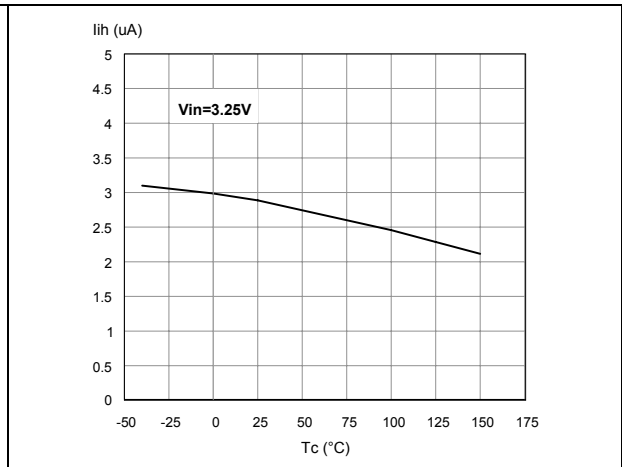


Figure 9. Input low level

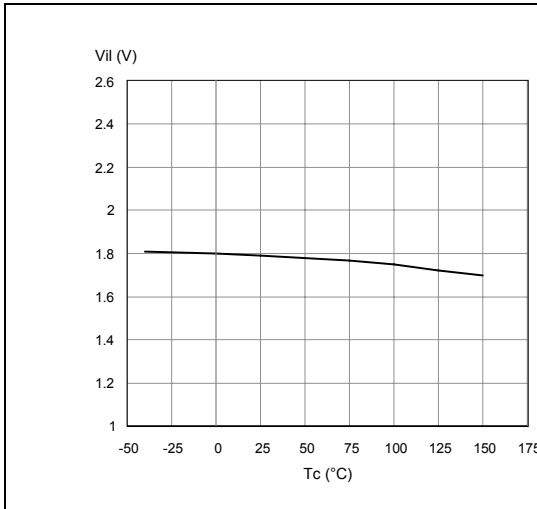


Figure 10. Input high level

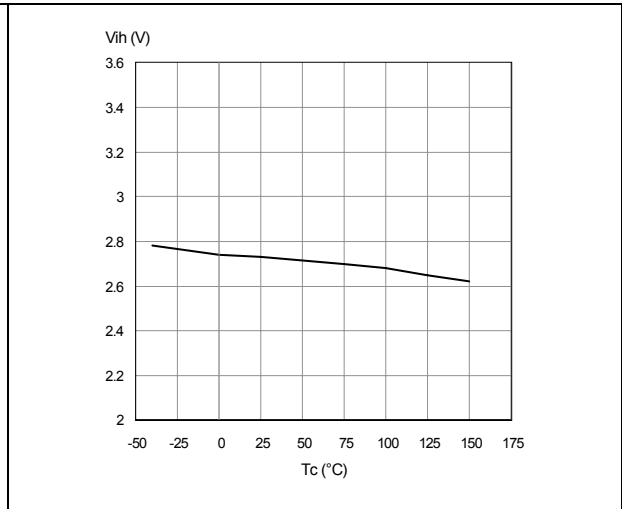


Figure 11. Input clamp voltage

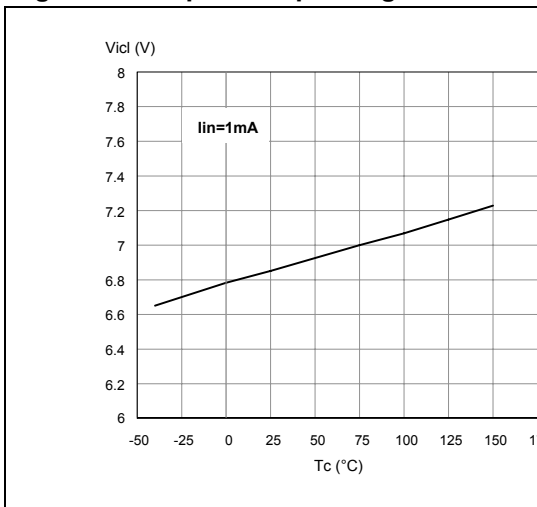


Figure 12. Input hysteresis voltage

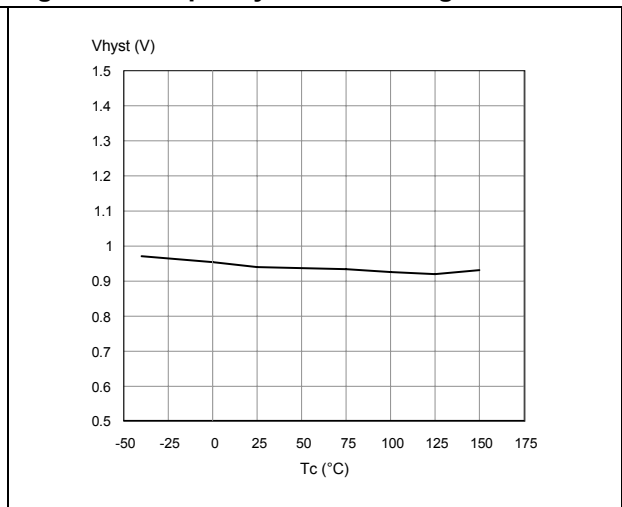


Figure 13. Overvoltage shutdown

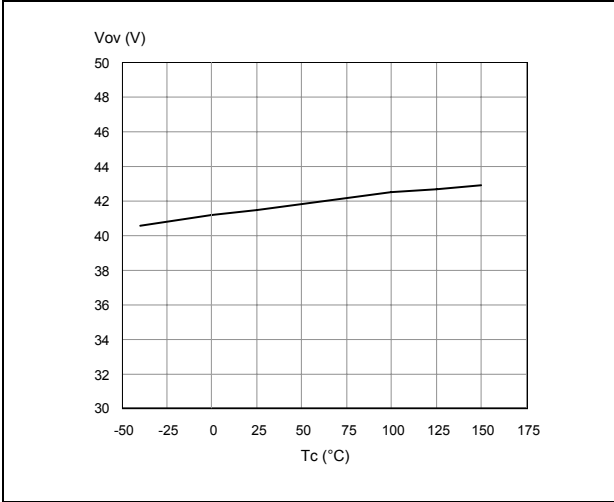


Figure 14. I<sub>LIM</sub> vs T<sub>case</sub>

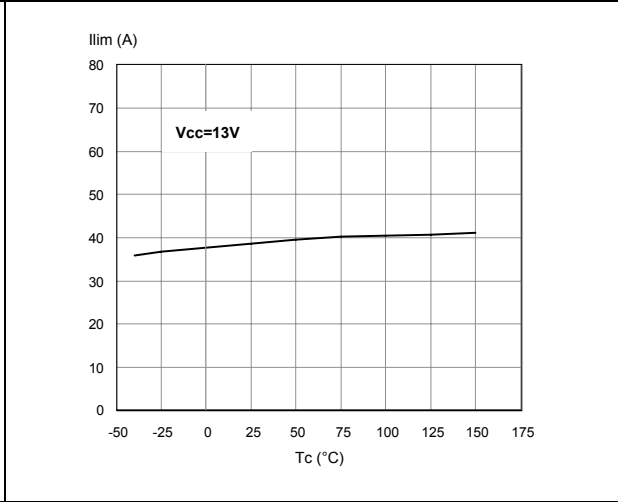


Figure 15. Turn-on voltage slope

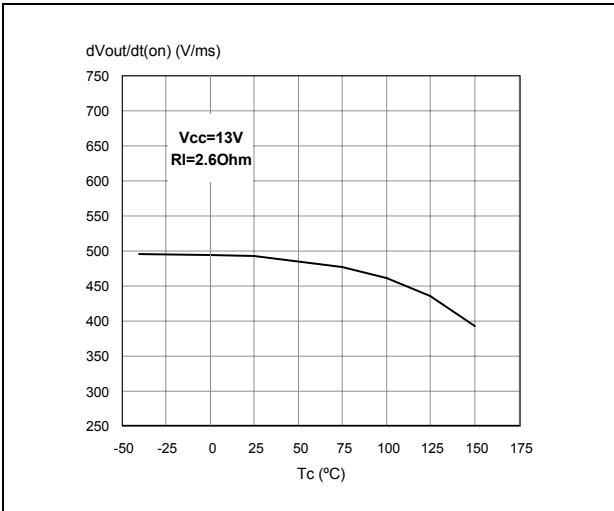


Figure 16. Turn-off voltage slope

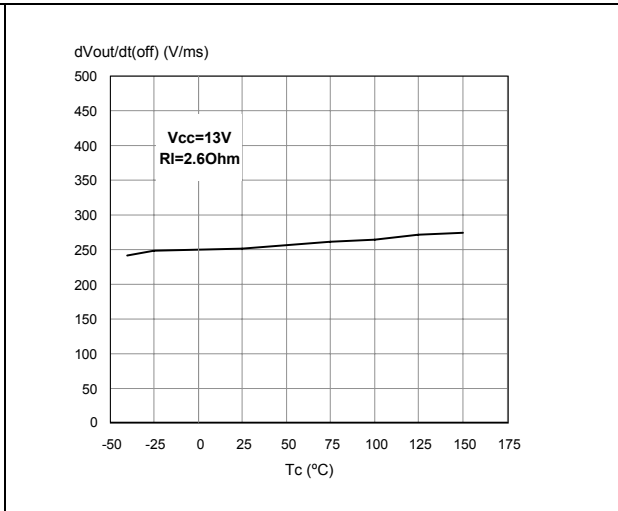


Figure 17. On-state resistance vs T<sub>case</sub>

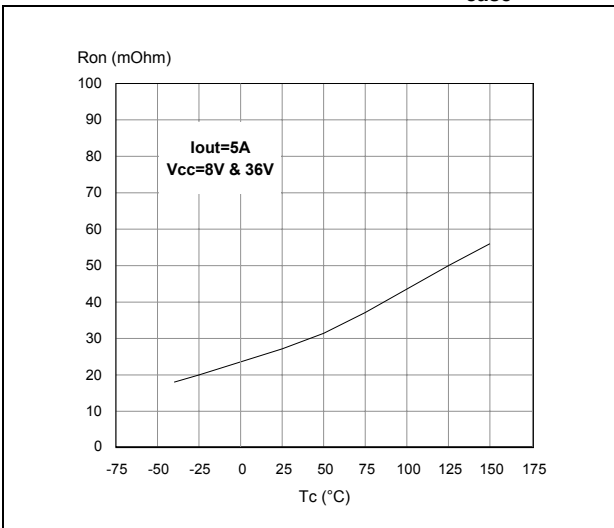
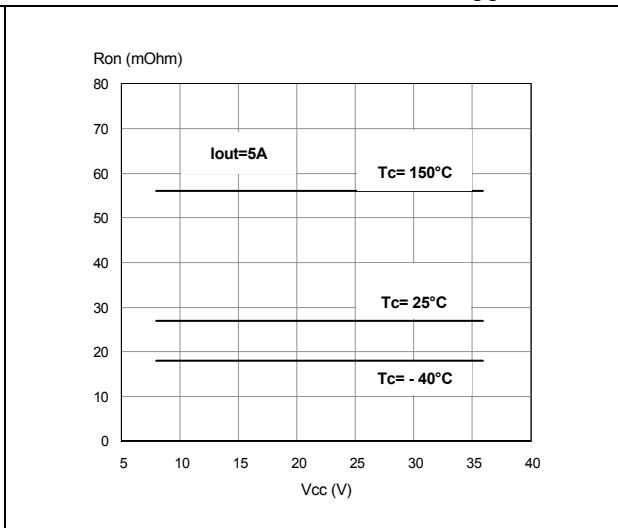


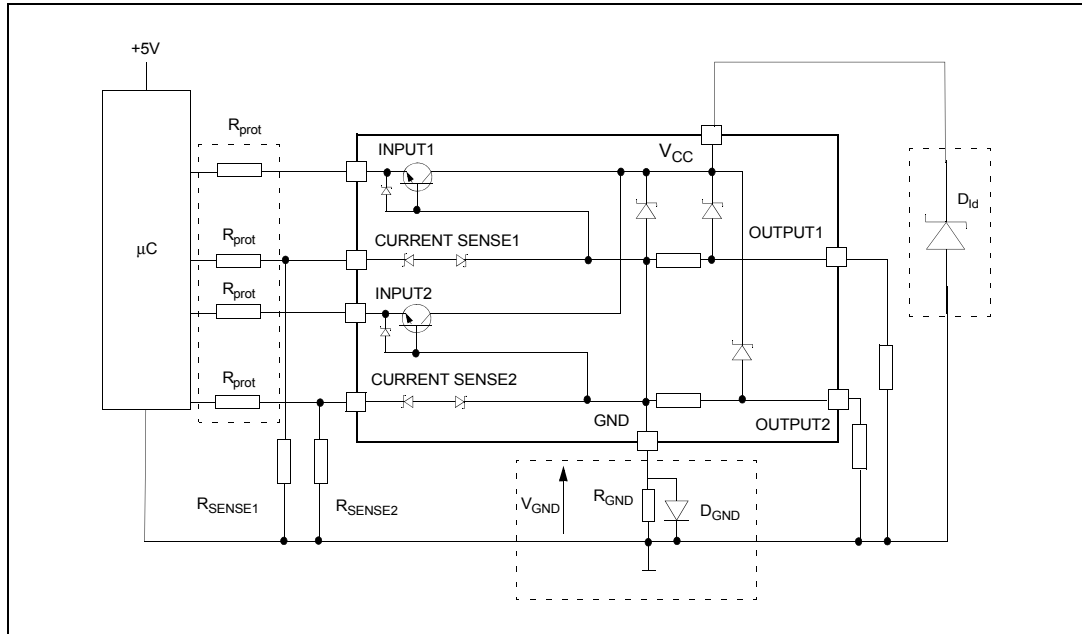
Figure 18. On-state resistance vs V<sub>CC</sub>





### 3 Application information

Figure 19. Application schematic



#### 3.1 GND protection network against reverse battery

##### 3.1.1 Solution 1: resistor in the ground line ( $R_{GND}$ only)

This can be used with any type of load.

The following is an indication on how to dimension the  $R_{GND}$  resistor.

1.  $R_{GND} \leq 600 \text{ mV} / I_{S(on)max}$
2.  $R_{GND} \geq (-V_{CC}) / (-I_{GND})$

where  $-I_{GND}$  is the DC reverse ground pin current and can be found in the absolute maximum rating section of the device's datasheet.

Power dissipation in  $R_{GND}$  (when  $V_{CC} < 0$ : during reverse battery situations) is:

$$P_D = (-V_{CC})^2 / R_{GND}$$

This resistor can be shared amongst several different HSDs. Please note that the value of this resistor should be calculated with formula (1) where  $I_{S(on)max}$  becomes the sum of the maximum on-state currents of the different devices.

Please note that if the microprocessor ground is not shared by the device ground then the  $R_{GND}$  produces a shift ( $I_{S(on)max} * R_{GND}$ ) in the input thresholds and the status output values. This shift varies depending on how many devices are ON in the case of several high-side drivers sharing the same  $R_{GND}$ .

If the calculated power dissipation leads to a large resistor or several devices have to share the same resistor then ST suggests to utilize solution 2 (see [Section 3.1.2](#)).

### 3.1.2 Solution 2: diode ( $D_{GND}$ ) in the ground line

A resistor ( $R_{GND} = 1 \text{ k}\Omega$ ) should be inserted in parallel to  $D_{GND}$  if the device drives an inductive load.

This small signal diode can be safely shared amongst several different HSDs. Also in this case, the presence of the ground network produces a shift ( $\sim 600 \text{ mV}$ ) in the input threshold and in the status output values if the microprocessor ground is not common to the device ground. This shift does not vary if more than one HSD shares the same diode/resistor network.

Series resistor in INPUT and STATUS lines are also required to prevent that, during battery voltage transient, the current exceeds the absolute maximum rating.

Safest configuration for unused INPUT and STATUS pin is to leave them unconnected, while unused SENSE pin has to be connected to ground pin.

## 3.2 Load dump protection

$D_{ld}$  is necessary (Voltage Transient Suppressor) if the load dump peak voltage exceeds the  $V_{CC}$  max DC rating. The same applies if the device is subject to transients on the  $V_{CC}$  line that are greater than the ones shown in [Table 12](#).

## 3.3 MCU I/Os protection

If a ground protection network is used and negative transient are present on the  $V_{CC}$  line, the control pins are pulled negative. ST suggests to insert a resistor ( $R_{prot}$ ) in line to prevent the microcontroller I/Os pins to latch-up.

The value of these resistors is a compromise between the leakage current of microcontroller and the current required by the HSD I/Os (Input levels compatibility) with the latch-up limit of microcontroller I/Os.

$$-V_{CCpeak}/I_{latchup} \leq R_{prot} \leq (V_{OH\mu C} - V_{IH} - V_{GND}) / I_{IHmax}$$

Calculation example:

For  $V_{CCpeak} = -100 \text{ V}$  and  $I_{latchup} \geq 20 \text{ mA}$ ;  $V_{OH\mu C} \geq 4.5 \text{ V}$

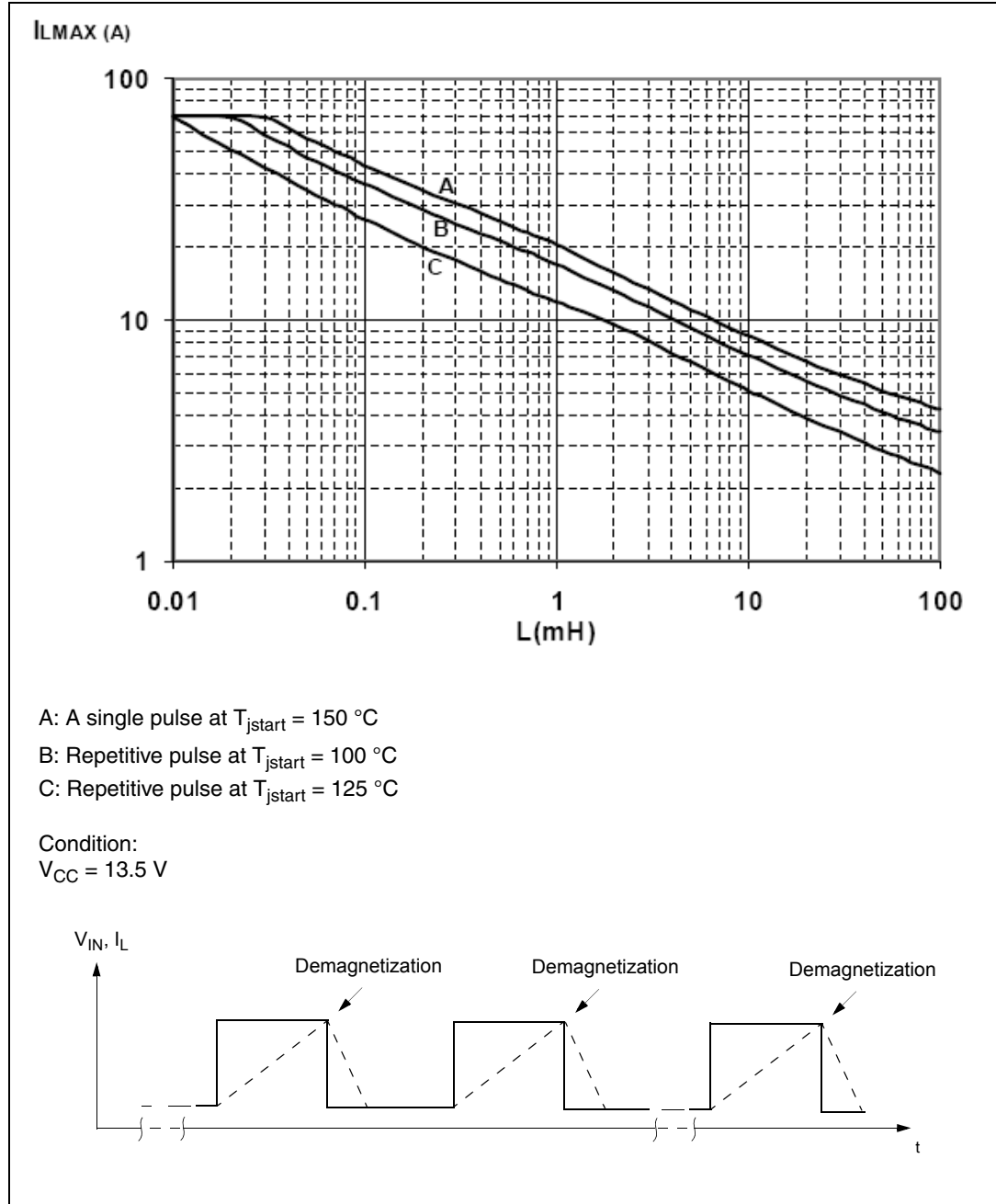
$$5 \text{ k}\Omega \leq R_{prot} \leq 65 \text{ k}\Omega$$

Recommended values:

$$R_{prot} = 10 \text{ k}\Omega$$

### 3.4 PowerSO-10 maximum demagnetization energy ( $V_{CC} = 13.5\text{ V}$ )

Figure 20. Maximum turn-off current versus load inductance<sup>(1)</sup>

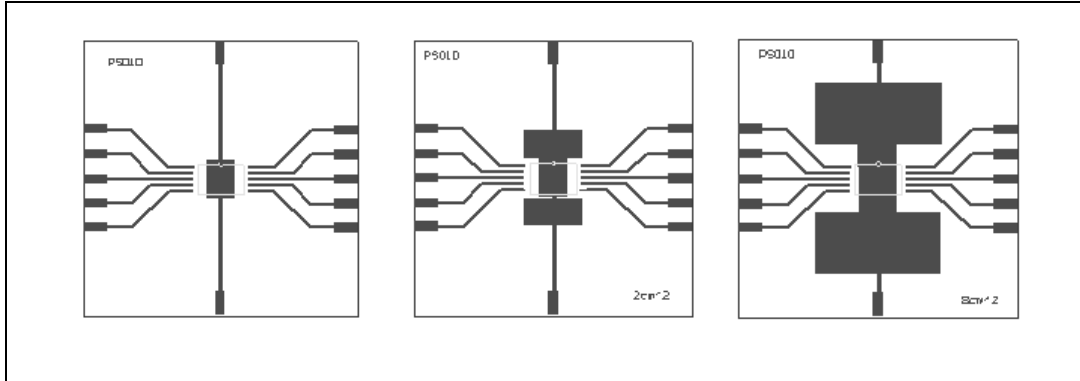


1. Values are generated with  $R_{\theta} = 0\text{ }\Omega$   
In case of repetitive pulses,  $T_{jstart}$  (at beginning of each demagnetization) of every pulse must not exceed the temperature specified above for curves B and C.

## 4 Package and PCB thermal data

### 4.1 PowerSO-10 thermal data

Figure 21. PowerSO-10 PC board<sup>(1)</sup>



1. Layout condition of  $R_{th}$  and  $Z_{th}$  measurements (PCB FR4 area= 58 mm x 58 mm, PCB thickness=2 mm, Cu thickness = 35  $\mu$ m, Copper areas: from minimum pad lay-out to 8 cm<sup>2</sup>).

Figure 22.  $R_{thj-amb}$  vs PCB copper area in open box free air condition

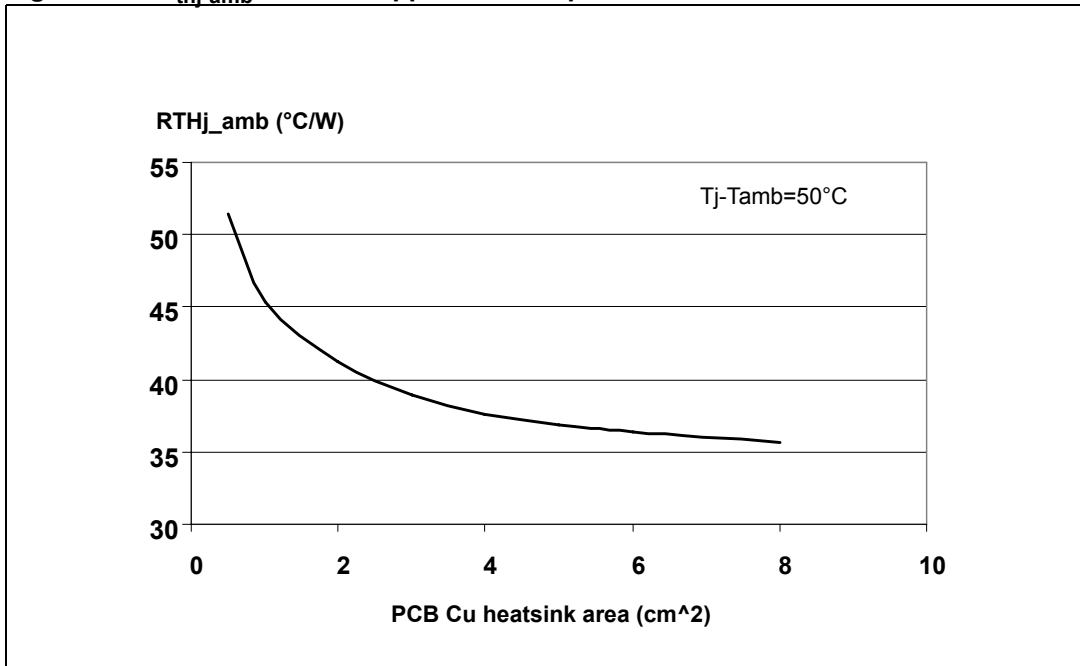
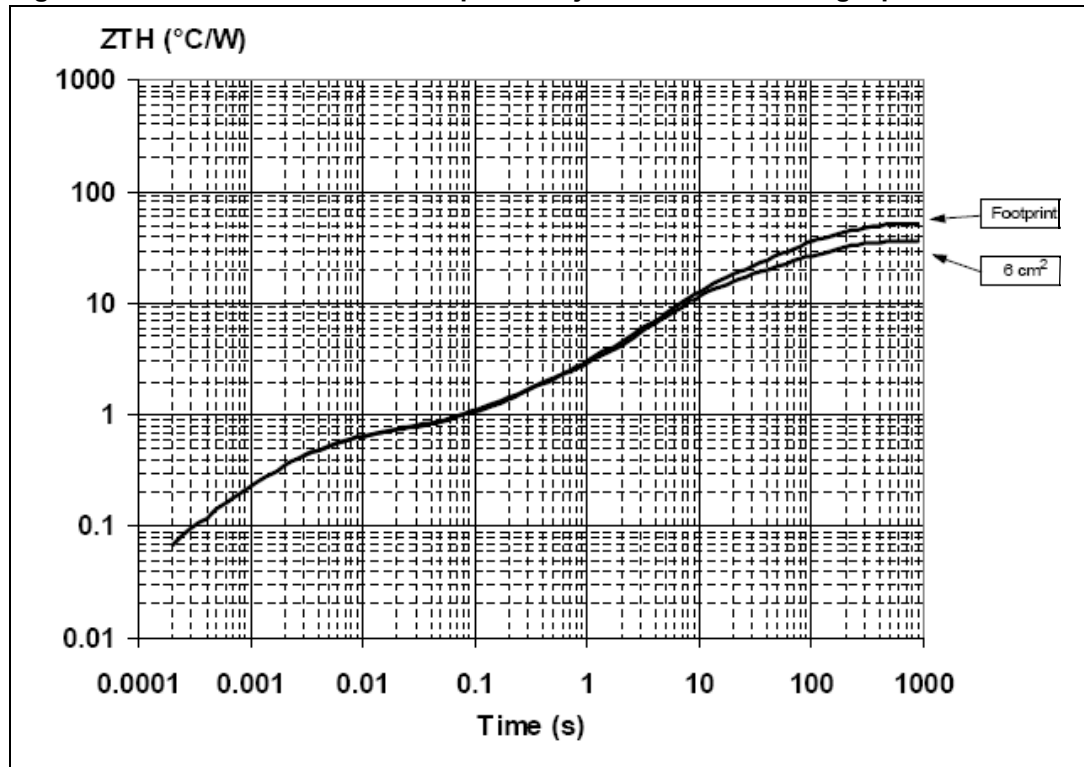


Figure 23. PowerSO-10 thermal impedance junction ambient single pulse



Equation 1: pulse calculation formula

$$Z_{TH\delta} = R_{TH} \cdot \delta + Z_{THtp}(1 - \delta)$$

where  $\delta = t_p/T$

Figure 24. Thermal fitting model of a double channel HSD in PowerSO-10

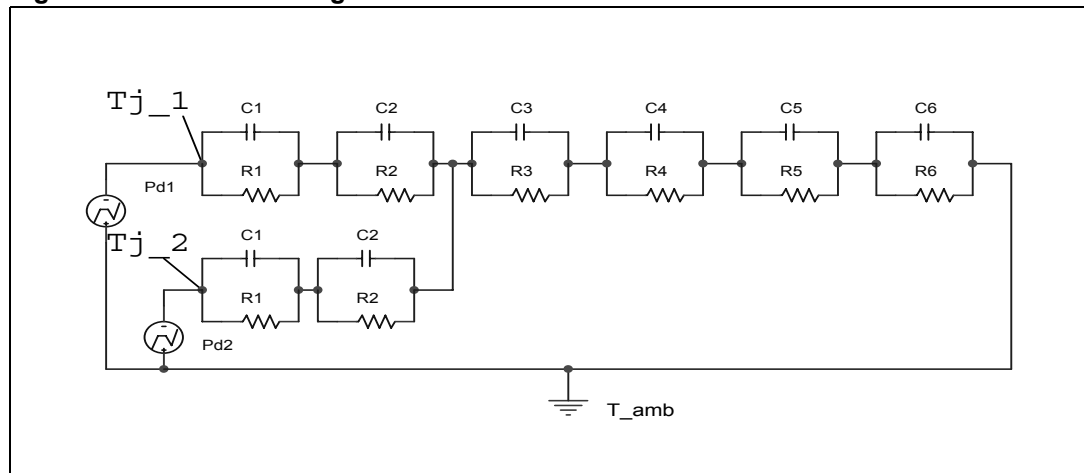


Table 15. Thermal parameter

Area/island (cm <sup>2</sup> )	Footprint	6
R1 (°C/ W)	0.05	
R2 (°C/ W)	0.3	
R3 (°C/ W)	0.3	
R4 (°C/ W)	0.8	
R5 (°C/ W)	12	
R6 (°C/ W)	37	22
C1 (W.s/ °C)	0.001	
C2 (W.s /°C)	5.00E-03	
C3 (W.s/ °C)	0.02	
C4 (W.s/ °C)	0.3	
C5 (W.s/ °C)	0.75	
C6 (W.s/ °C)	3	5

## 5 Package and packing information

### 5.1 ECOPACK® packages

In order to meet environmental requirements, ST offers these devices in different grades of ECOPACK® packages, depending on their level of environmental compliance. ECOPACK® specifications, grade definitions and product status are available at: [www.st.com](http://www.st.com). ECOPACK® is an ST trademark.

### 5.2 PowerSO-10 mechanical data

Figure 25. PowerSO-10 package dimensions

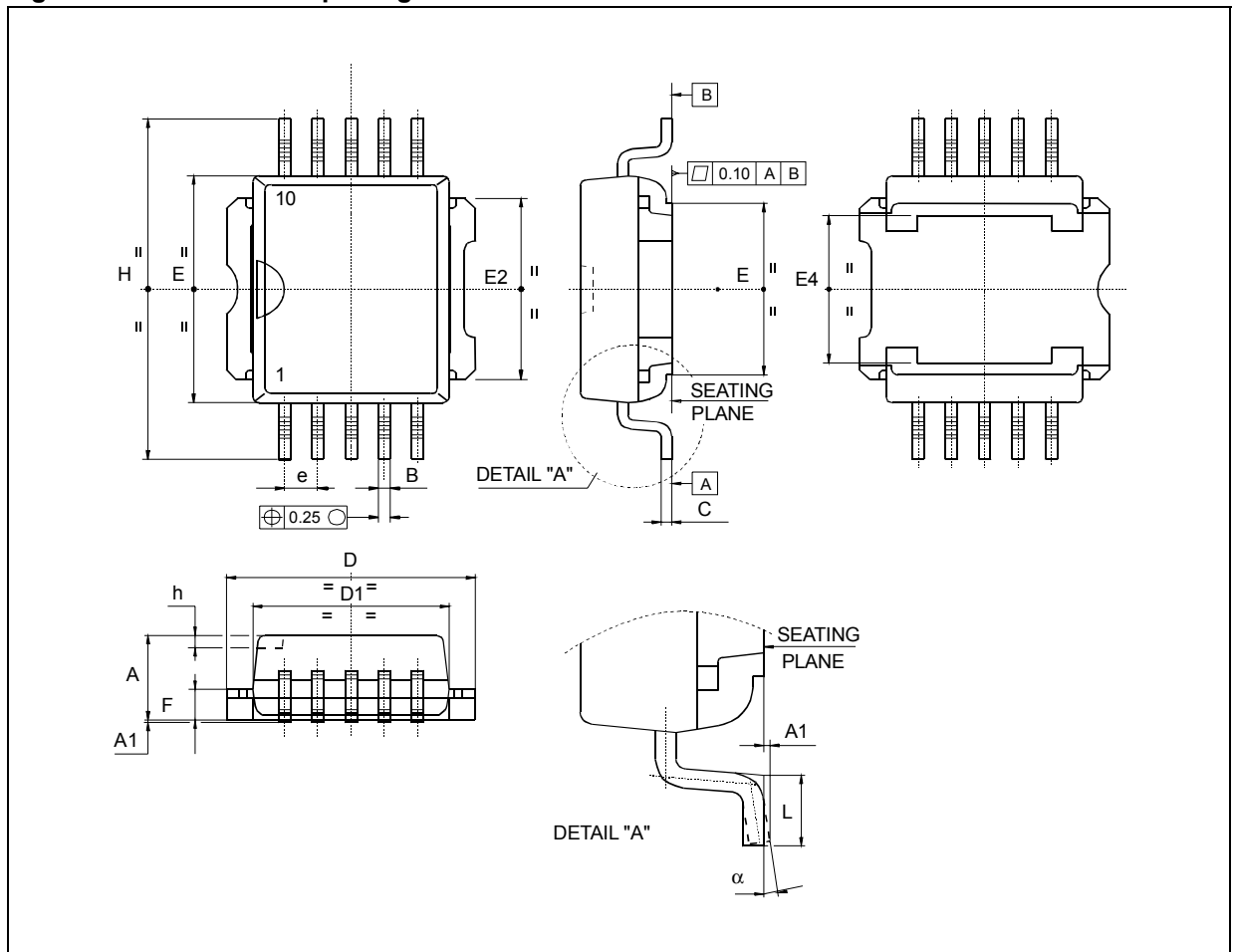


Table 16. PowerSO-10 mechanical data

Dim.	Millimeters		
	Min.	Typ.	Max.
A	3.35		3.65
A <sup>(1)</sup>	3.4		3.6
A1	0		0.10
B	0.40		0.60
B <sup>(1)</sup>	0.37		0.53
C	0.35		0.55
C <sup>(1)</sup>	0.23		0.32
D	9.40		9.60
D1	7.40		7.60
E	9.30		9.50
E2	7.20		7.60
E2 <sup>(1)</sup>	7.30		7.50
E4	5.90		6.10
E4 <sup>(1)</sup>	5.90		6.30
e		1.27	
F	1.25		1.35
F <sup>(1)</sup>	1.20		1.40
H	13.80		14.40
H <sup>(1)</sup>	13.85		14.35
h		0.50	
L	1.20		1.80
L <sup>(1)</sup>	0.80		1.10
a	0°		8°
α <sup>(1)</sup>	2°		8°

1. Muar only POA P013P.



### 5.3 PowerSO-10 packing information

Figure 26. PowerSO-10 suggested pad layout and tube shipment (no suffix)

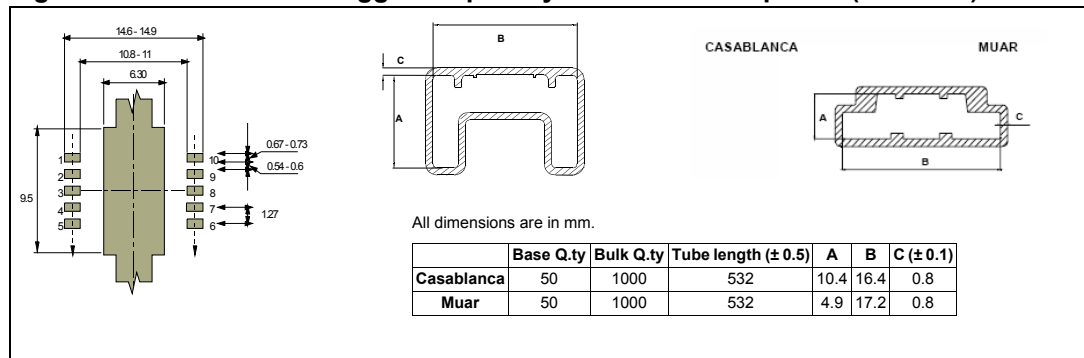
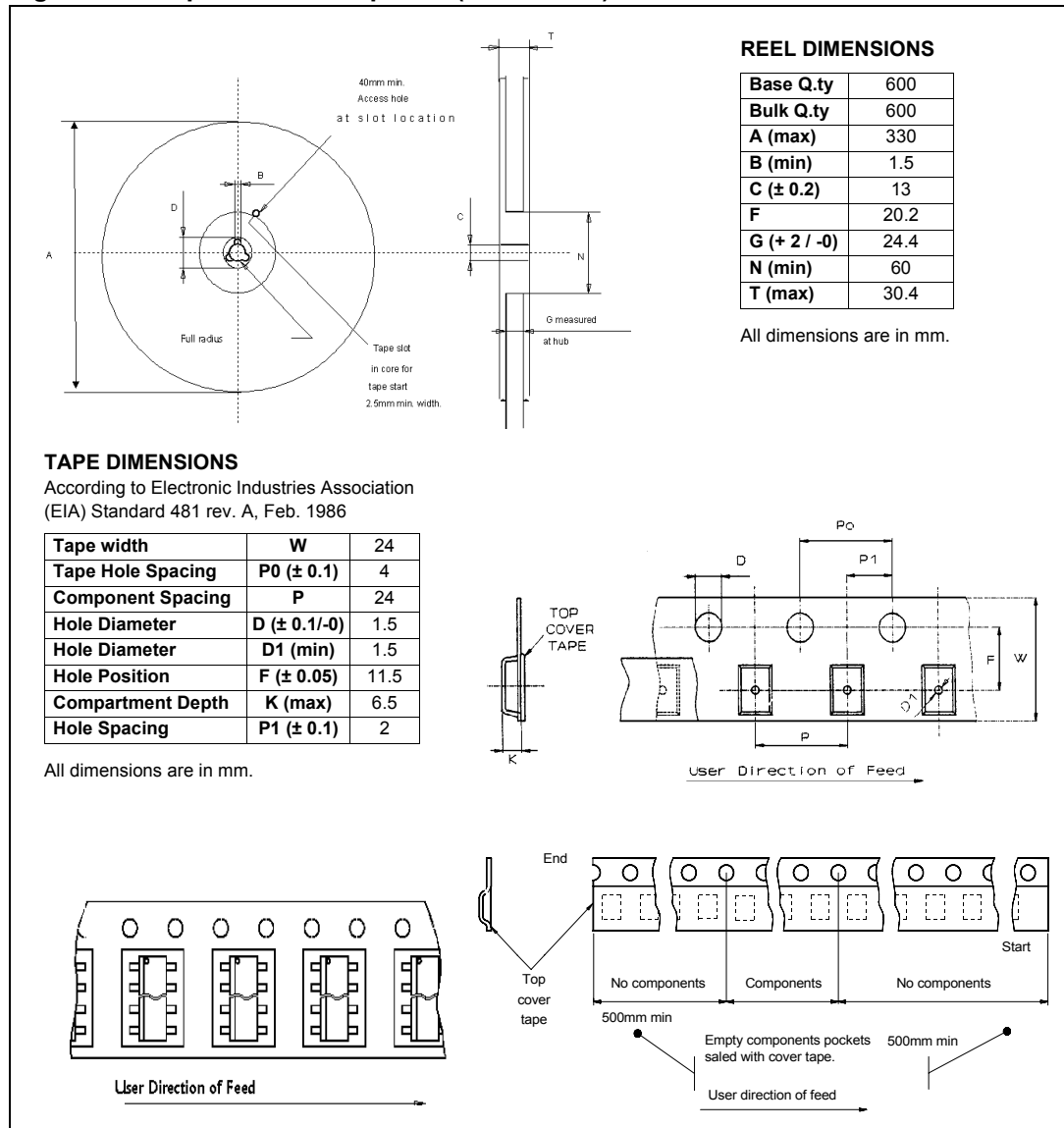


Figure 27. Tape and reel shipment (suffix “TR”)



## 6 Revision history

Table 17. Document revision history

Date	Revision	Changes
01-Oct-2004	1	Initial release.
28-Jun-2010	2	Changed <i>Features</i> list. Reformatted entire document. No content change.
11-Feb-2011	3	Updated <i>Features</i> list. Updated following tables: – <i>Table 5: Power</i> – <i>Table 8: Current sense <math>9\text{ V} \leq V_{CC} \leq 16\text{ V}</math></i>

**Please Read Carefully:**

Information in this document is provided solely in connection with ST products. STMicroelectronics NV and its subsidiaries ("ST") reserve the right to make changes, corrections, modifications or improvements, to this document, and the products and services described herein at any time, without notice.

All ST products are sold pursuant to ST's terms and conditions of sale.

Purchasers are solely responsible for the choice, selection and use of the ST products and services described herein, and ST assumes no liability whatsoever relating to the choice, selection or use of the ST products and services described herein.

No license, express or implied, by estoppel or otherwise, to any intellectual property rights is granted under this document. If any part of this document refers to any third party products or services it shall not be deemed a license grant by ST for the use of such third party products or services, or any intellectual property contained therein or considered as a warranty covering the use in any manner whatsoever of such third party products or services or any intellectual property contained therein.

**UNLESS OTHERWISE SET FORTH IN ST'S TERMS AND CONDITIONS OF SALE ST DISCLAIMS ANY EXPRESS OR IMPLIED WARRANTY WITH RESPECT TO THE USE AND/OR SALE OF ST PRODUCTS INCLUDING WITHOUT LIMITATION IMPLIED WARRANTIES OF MERCHANTABILITY, FITNESS FOR A PARTICULAR PURPOSE (AND THEIR EQUIVALENTS UNDER THE LAWS OF ANY JURISDICTION), OR INFRINGEMENT OF ANY PATENT, COPYRIGHT OR OTHER INTELLECTUAL PROPERTY RIGHT.**

**UNLESS EXPRESSLY APPROVED IN WRITING BY AN AUTHORIZED ST REPRESENTATIVE, ST PRODUCTS ARE NOT RECOMMENDED, AUTHORIZED OR WARRANTED FOR USE IN MILITARY, AIR CRAFT, SPACE, LIFE SAVING, OR LIFE SUSTAINING APPLICATIONS, NOR IN PRODUCTS OR SYSTEMS WHERE FAILURE OR MALFUNCTION MAY RESULT IN PERSONAL INJURY, DEATH, OR SEVERE PROPERTY OR ENVIRONMENTAL DAMAGE. ST PRODUCTS WHICH ARE NOT SPECIFIED AS "AUTOMOTIVE GRADE" MAY ONLY BE USED IN AUTOMOTIVE APPLICATIONS AT USER'S OWN RISK.**

Resale of ST products with provisions different from the statements and/or technical features set forth in this document shall immediately void any warranty granted by ST for the ST product or service described herein and shall not create or extend in any manner whatsoever, any liability of ST.

ST and the ST logo are trademarks or registered trademarks of ST in various countries.

Information in this document supersedes and replaces all information previously supplied.

The ST logo is a registered trademark of STMicroelectronics. All other names are the property of their respective owners.

© 2011 STMicroelectronics - All rights reserved

STMicroelectronics group of companies

Australia - Belgium - Brazil - Canada - China - Czech Republic - Finland - France - Germany - Hong Kong - India - Israel - Italy - Japan - Malaysia - Malta - Morocco - Philippines - Singapore - Spain - Sweden - Switzerland - United Kingdom - United States of America

[www.st.com](http://www.st.com)