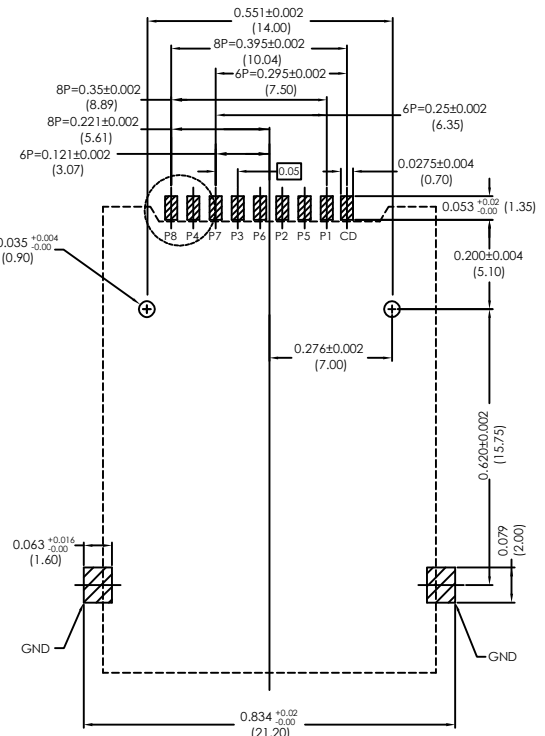
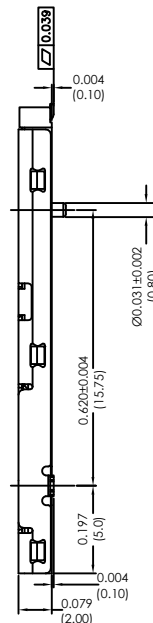
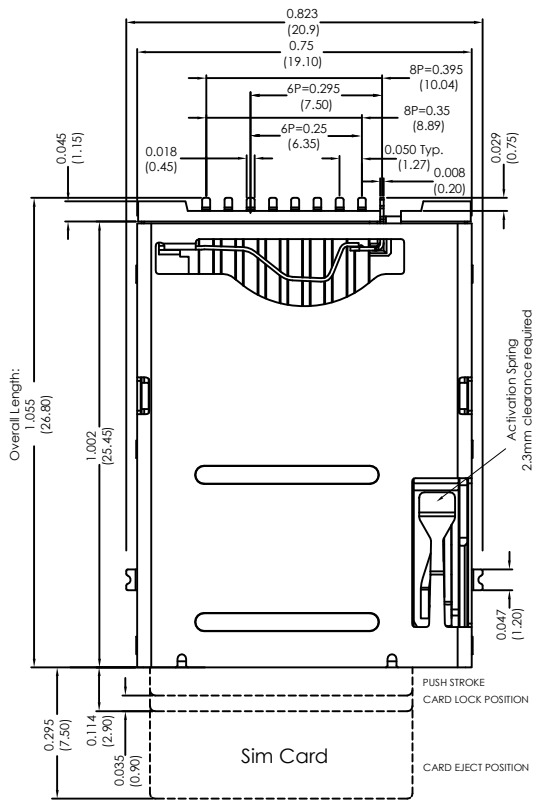
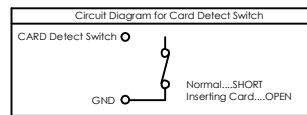
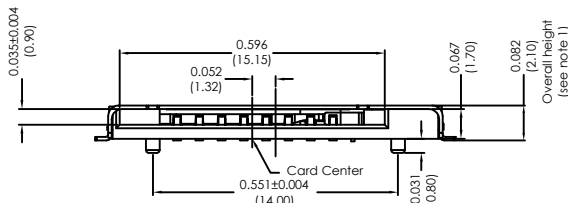


Major League Electronics 6 or 8 Pin Push/Push Type Surface Mount SIM Connector



RECOMMENDED PCB LAYOUTS
General Tolerance±0.002



Connector Terminal No.	Pin No.
Pin 1	VCC: PWR signal and GND
Pin 2	RST: Reset signal
Pin 3	CLK: Clacking signal
Pin 4	Reserved
Pin 5	GND: PWR signal and GND
Pin 6	VPP: programming Voltage
Pin 7	I/O: serial date input/output
Pin 8	Reserved

Ordering Information

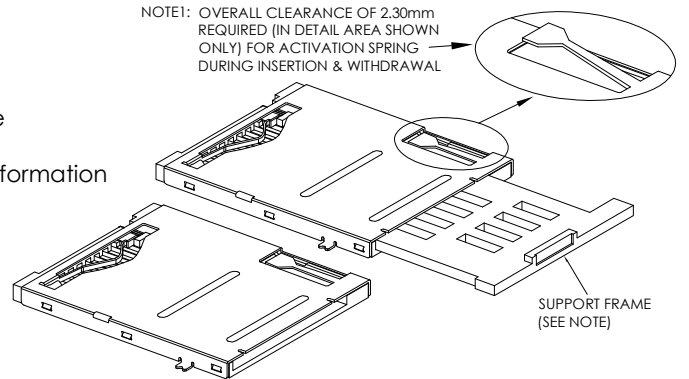
SIMS60 - 20 - F - LF

Number of Contacts 6 or 8

Lead Free

Packing Information F = Reel

NOTE1: OVERALL CLEARANCE OF 2.30mm REQUIRED (IN DETAIL AREA SHOWN ONLY) FOR ACTIVATION SPRING DURING INSERTION & WITHDRAWAL



Weight:	Approx. 2.50g	Insulation Resistance:	> 1000 MΩ / 500 VDC	Storage Temperature:	-40°C, ~ +60°C
Contact Principle:	Friction Technology	Wave:	Not applicable	Storage Humidity:	10% ~ 95% RH
Operating Position:	Shaft Up/Down/Horizontal	VaporPhase:	215°C, 30 sec. Max.	Thermal Shock:	-40°C, ~ +60°C, 5 cycles
Durability:	5,000 Cycles Min.	IR Reflow:	260°C, 15 sec. Max.	Damp Heat:	40°C, 90% RH, 500HR
Insulation Material:	Thermoplastic, UL94V-0	Manual Soldering:	360°C, 3 sec. Max.	Salt-Mist:	35°C, 5% NaCl, 48HR
Contact Material:	Gold plating with 3u" Min.	Operating Temperature:	-25°C, ~ +85°C		
Contact Resistance:	100 mΩ Max.	Operating Humidity:	10% ~ 95% RH		

SIMS60 SERIES

**SIM Card Connector
Push/Push Type 6 or 8 Pin**

19 APR 07

Scale
NTS

UNLESS OTHERWISE SPECIFIED
DIMENSIONS IN INCHES (MM)
TOLERANCES ARE:

ONE PLACE DECIMALS ±0.38
TWO PLACE DECIMALS ±0.25
THREE PLACE DECIMALS ±0.10

ANGLES
±3°



4235 Earnings Way, New Albany, Indiana, 47150, USA
1-800-782-3486 (USA/Canada/Mexico)

Tel: 812-944-7244

Fax: 812-944-7268

E-mail: mle@mlelectronics.com

Web: www.mlelectronics.com

Revision
B

Sheet
1/2

Revisions

Revision B - (26th Jul 2010)

Plating Information added to specification

SIMS60 SERIES

SIM Card Connector
Push/Push Type 6 or 8 Pin

19 APR 07

Scale
NTS

UNLESS OTHERWISE SPECIFIED
DIMENSIONS IN INCHES (MM)
TOLERANCES ARE:

ONE PLACE DECIMALS ± 0.38
TWO PLACE DECIMALS ± 0.25
THREE PLACE DECIMALS ± 0.10

ANGLES
 $\pm 3^\circ$



4235 Earnings Way, New Albany, Indiana, 47150, USA
1-800-782-3486 (USA/Canada/Mexico)

Tel: 812-944-7244

Fax: 812-944-7268

E-mail: mle@mlelectronics.com

Web: www.mlelectronics.com

Revision
B

Sheet
2/2