

HA16802PS, HA16804PS, HA16805PS/F Series

HITACHI/ (LINEAR DEVICES) 68E D

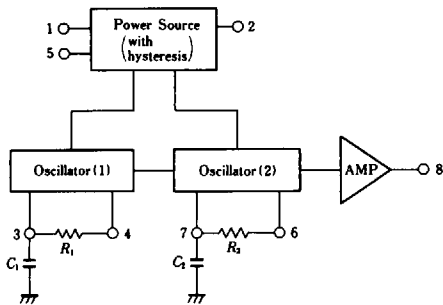
DESCRIPTION

The HA16802, HA16804 and HA16805 are tone ringer monolithic IC's for telephone. These IC's have a built-in regulator power supply and occur electronic sound by directly driving external magnetic speaker or piezo-electric buzzer when call signal is detected. The HA16802, HA16804 and HA16805 each have different additional functions and control the functions by control terminal. (Type number: HD16805F)

FEATURES

- Output frequency is variable.
- Low power dissipation.
- As it has a regulator power source with hysteresis, it can prevent a resonance which occurs in case of parallel connection (branch) of telephone.
- 2 levels of supply initiation voltage can be selected (HA16802PS).
- Supply initiation voltage is variable. (HA16804PS)
- Oscillation can be inhibited. (HA16804PS)
- Supply initiation current is variable. (HA16805PS/F)

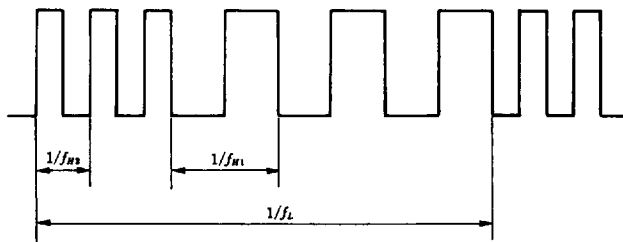
BLOCK DIAGRAM



Note: R₁, R₂, C₁, C₂ are external parts

- Oscillator (1) operated at about 10 Hz (f_L) and modulates the frequency of Oscillator (2) at this cycle.
- Oscillator (2) operated at a high frequency and has two oscillation frequency; f_{H1} , f_{H2} by Oscillator (1).

$$f_L = 1/1.25 R_1 C_1 \quad f_{H1} = 1/1.35 R_2 C_2 \quad f_{H2} = 1.24 f_{H1} \text{ [Hz]}$$



HA16802PS/HA16804PS/
HA16805PS



(DP-8)

HA16805F



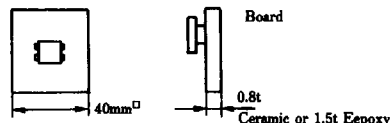
(FP-8D)

HA16802PS, HA16804PS, HA16805PS/F Series

ABSOLUTE MAXIMUM RATINGS (Ta=25°C)

Item	Symbol	Rating	Unit
Supply Voltage	Vs	40	V
Output Current	Io	12	mA
Power Dissipation	P _T	625 (390)	mW*
Operating Temperature Range	Topr	-20 to +70	°C
Storage Temperature Range	Tstg	-55 to +125	°C

*P_T for HA16805F is 390 mW, the other 625 mW.
 For HA16805F value at Ta ≤ 70°C, when Ta is more than 70°C, 7.14 mW/°C derating shall be performed. (Condition glass epoxy with 30% metallization density)



ELECTRICAL CHARACTERISTICS (Ta=25°C)

HA16802PS

Item	Symbol	Condition	min.	typ.	max.	Unit	Remarks
Supply Initiation Voltage	V _{si}	The contents within () are the value at the time of changing (Trigger in=GND)	17 (21)	19 (23)	21 (25)	V	Selectable
Supply Initiation Current	I _{si}		0.6	1.2	2.5	mA	
Sustaining Voltage	V _{sus}		9	11	—	V	
Sustaining Current	I _{sus}	V _S =15V	0.5	1.0	2.0	mA	
Output "H" Voltage	V _{OH}	V _S =24V, I _{OH} =-10mA	20	21.5	22.5	V	
Output "L" Voltage	V _{OL}	V _S =24V, I _{OL} =10mA	0	1.0	2.0	V	
Output Frequency	f _L	C ₁ =0.47μF, R ₁ =160kΩ	9.3	10.4	11.5	Hz	
	f _{H1}	C ₂ =6800pF	495	—	606	Hz	
	f _{H2}	R ₂ =200kΩ	610	—	752	Hz	

HA16804PS

Item	Symbol	Condition	min.	typ.	max.	Unit
Supply Initiation Voltage	V _{si}		17	19	21	V
Supply Initiation Current	I _{si}		1.5	3.1	6.2	mA
Sustaining Voltage	V _{sus}		9	11	—	V
Sustaining Current	I _{sus}	V _S =15V	0.5	1.0	2.0	mA
Output "H" Voltage	V _{OH}	V _S =24V, I _{OH} =-10mA	20	21.5	22.5	V
Output "L" Voltage	V _{OL}	V _S =24V, I _{OL} =10mA	0	1.0	2.0	V
Output Frequency	f _L	C ₁ =0.47μF, R ₁ =160kΩ	9.3	10.4	11.5	Hz
	f _{H1}	C ₂ =6800pF	495	—	606	Hz
	f _{H2}	R ₂ =200kΩ	610	—	752	Hz

HA16805PS/F

Item	Symbol	Condition	min.	typ.	max.	Unit
Supply Initiation Voltage	V _{si}	Connect with R _{SL} =20kΩ	26	28	30	V
Supply Initiation Current	I _{si}		0.7	1.5	3.0	mA
Sustaining Voltage	V _{sus}		9	11	—	V
Sustaining Current	I _{sus}	V _S =15V, Connect with R _{SL} =20kΩ	0.5	1.0	2.0	mA
Output "H" Voltage	V _{OH}	V _S =36V, I _{OH} =-10mA	32	—	36	V
Output "L" Voltage	V _{OL}	V _S =36V, I _{OL} =10mA	0	1.0	2.0	V
Output Frequency	f _L	C ₁ =0.47μF, R ₁ =160kΩ	9.3	10.4	11.5	Hz
	f _{H1}	C ₂ =6800pF	495	—	606	Hz
	f _{H2}	R ₂ =200kΩ	610	—	752	Hz

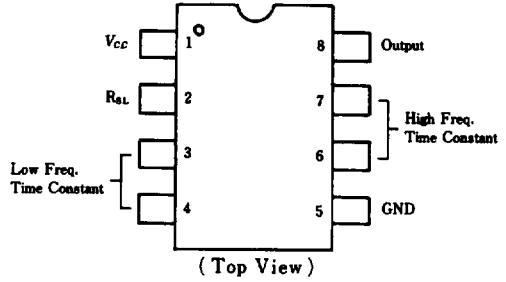
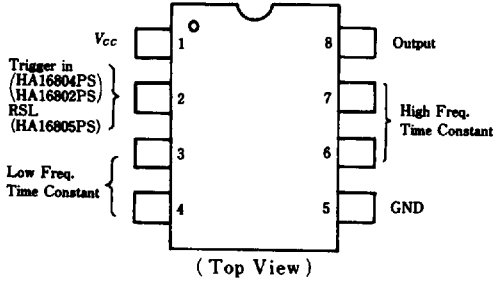
HA16802PS, HA16804PS, HA16805PS/F Series

HITACHI/ (LINEAR DEVICES) 68E D

PIN ARRANGEMENT

● HA16802PS, HA16804PS, HA16805PS

● HA16805F



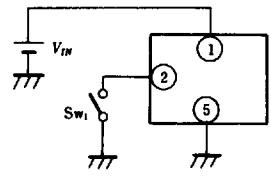
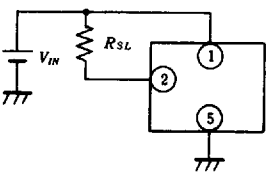
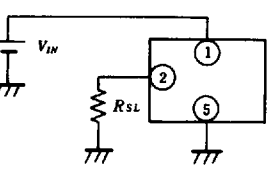
PIN FUNCTION

Pin No.	Pin Name	Function	
1	Vcc	Positive Power Supply	
2	TRIGGER IN	HA16802PS	Shown below
	RSL	HA16804PS	
3	LOW FREQ. TIME CONSTANT	Low Frequency Time Constant Setting	
4	CONSTANT		
5	GND	Negative Power Supply	
6	HIGH FREQ. TIME CONSTANT	High Frequency Time Constant Setting	
7	CONSTANT		
8	OUTPUT	Tone Output	

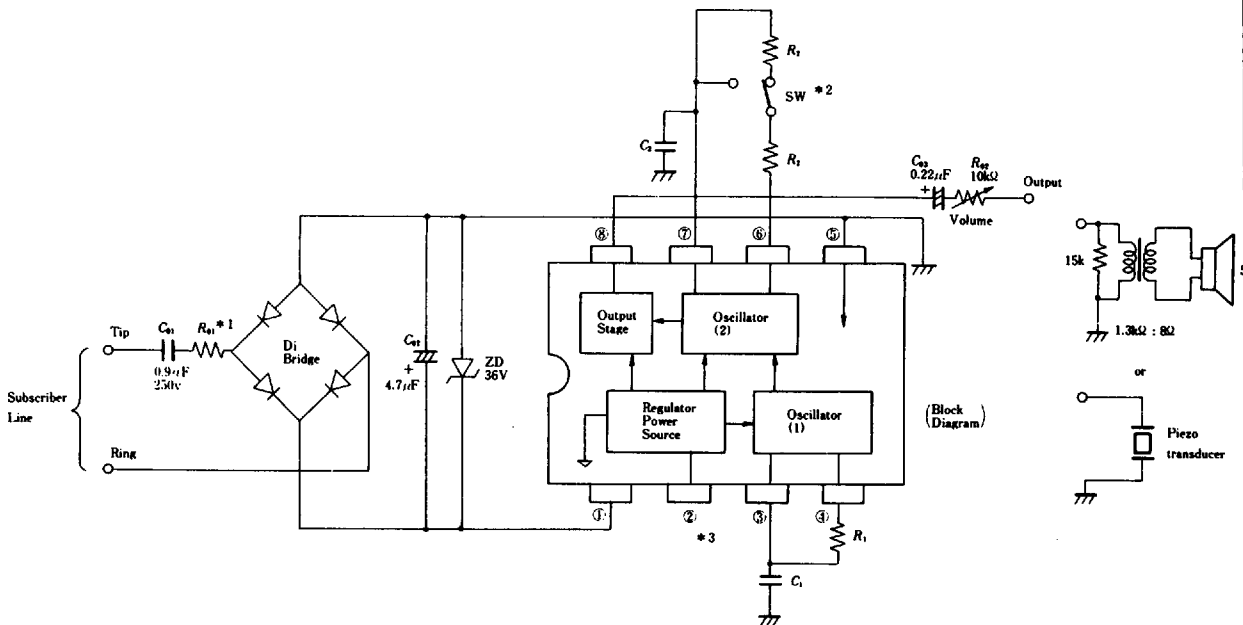
HA16802PS, HA16804PS, HA16805PS/F Series

HITACHI/ (LINEAR DEVICES) 68E D

TRIGGER IN TERMINAL } ② Pin Function Description R_{SL}

Type Name	Function	Description								
HA16802PS	Supply Initiation Voltage Variable (V _{si})	 <table border="1" data-bbox="887 294 1229 441"> <thead> <tr> <th>② Pin Condition</th> <th>V_{si}</th> </tr> </thead> <tbody> <tr> <td>Open (Sw1 : OFF)</td> <td>19V typ.</td> </tr> <tr> <td>GND (Sw1 : ON)</td> <td>23V typ.</td> </tr> </tbody> </table>	② Pin Condition	V _{si}	Open (Sw1 : OFF)	19V typ.	GND (Sw1 : ON)	23V typ.		
② Pin Condition	V _{si}									
Open (Sw1 : OFF)	19V typ.									
GND (Sw1 : ON)	23V typ.									
HA16804PS	Supply Initiation Voltage Variable	 <table border="1" data-bbox="887 519 1229 656"> <thead> <tr> <th>R_{SL}</th> <th>V_{si}</th> </tr> </thead> <tbody> <tr> <td>Open</td> <td>19V typ.</td> </tr> <tr> <td>1MΩ</td> <td>17V typ.</td> </tr> <tr> <td>500kΩ</td> <td>15V typ.</td> </tr> </tbody> </table>	R _{SL}	V _{si}	Open	19V typ.	1MΩ	17V typ.	500kΩ	15V typ.
R _{SL}	V _{si}									
Open	19V typ.									
1MΩ	17V typ.									
500kΩ	15V typ.									
HA16805PS/F	Supply Initiation Current Variable (I _{si})	 <table border="1" data-bbox="887 735 1229 872"> <thead> <tr> <th>R_{SL}</th> <th>I_{si}</th> </tr> </thead> <tbody> <tr> <td>6.3k</td> <td>3.2mA typ.</td> </tr> <tr> <td>13k</td> <td>2mA typ.</td> </tr> <tr> <td>20k</td> <td>1.2mA typ.</td> </tr> </tbody> </table>	R _{SL}	I _{si}	6.3k	3.2mA typ.	13k	2mA typ.	20k	1.2mA typ.
R _{SL}	I _{si}									
6.3k	3.2mA typ.									
13k	2mA typ.									
20k	1.2mA typ.									

APPLICATION

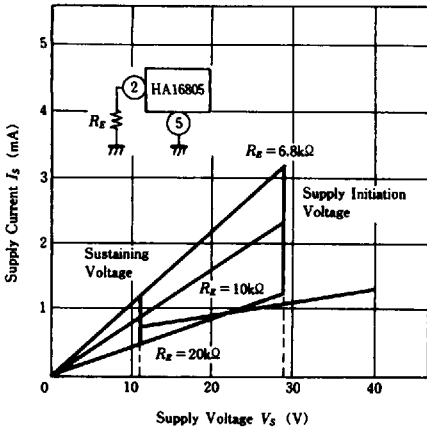


- Note
- * 1 HA16802PS, HA16805PS/F → 10kΩ
HA16804PS → 2kΩ
 - * 2 Possible timbre adjustment by changing the resistance value of R₂
 - * 3 Additional function control terminal

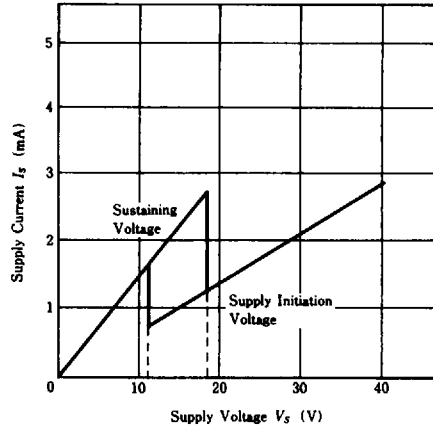
Tone Ringer Application Circuit Example

HA16802PS, HA16804PS, HA16805PS/F Series

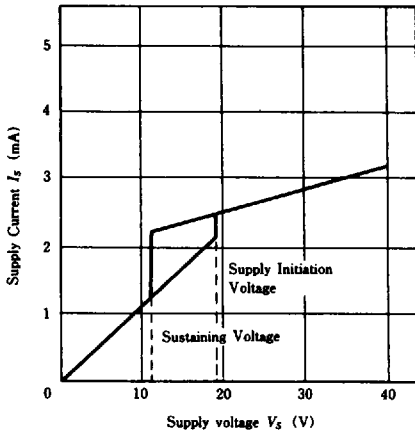
HA16805 Supply Voltage vs. Supply Current Characteristic.



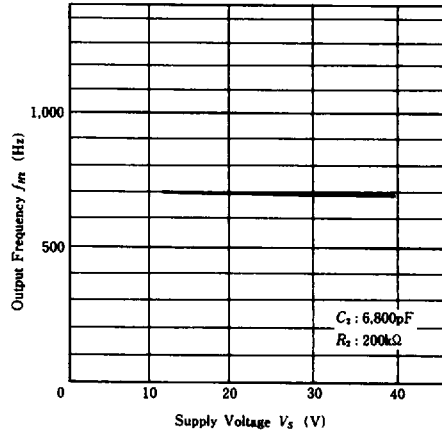
HA16804 (at Pin 2 Open) Supply Voltage vs. Supply Current Characteristic



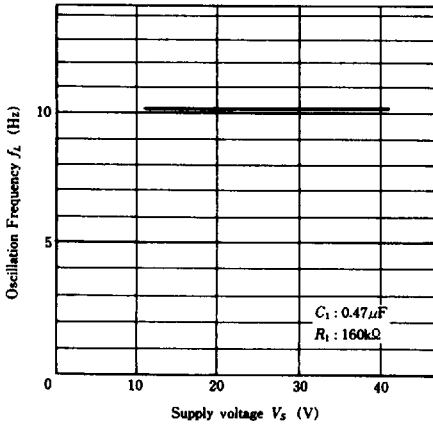
HA16802 (at Pin 2 Open) Supply Voltage vs. Supply Current Characteristic



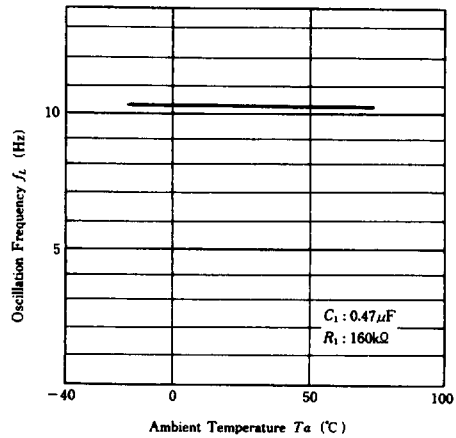
Output Frequency f_m vs. Supply Voltage Characteristic



Oscillation Frequency f_L vs. Supply Voltage Characteristic



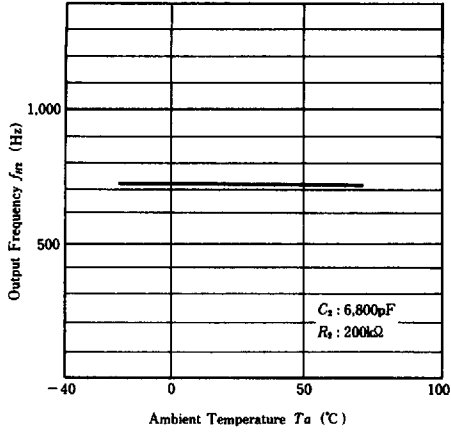
Oscillation Frequency f_L vs. Ambient Temperature Characteristic



HA16802PS, HA16804PS, HA16805PS/F Series

HITACHI/ (LINEAR DEVICES) 68E D

Output Frequency vs. Ambient Temperature Characteristic



Supply Initiation Voltage vs. Ambient Temperature Characteristic

