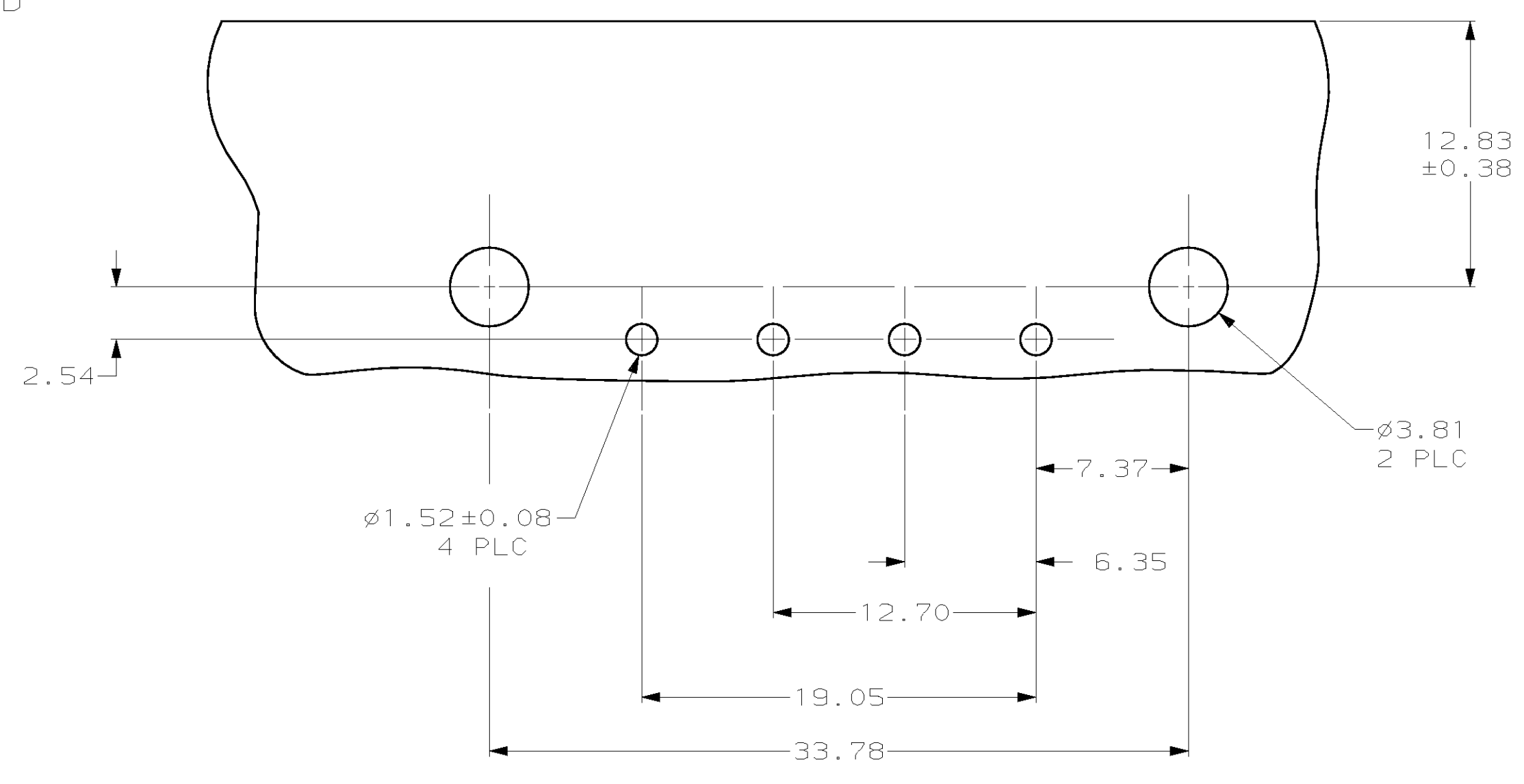
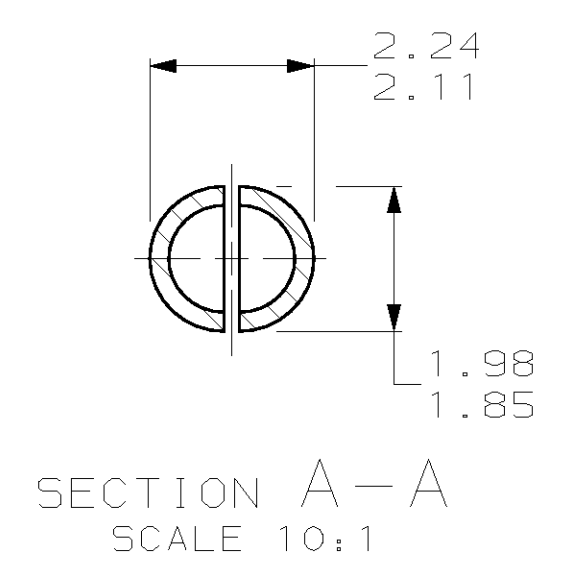
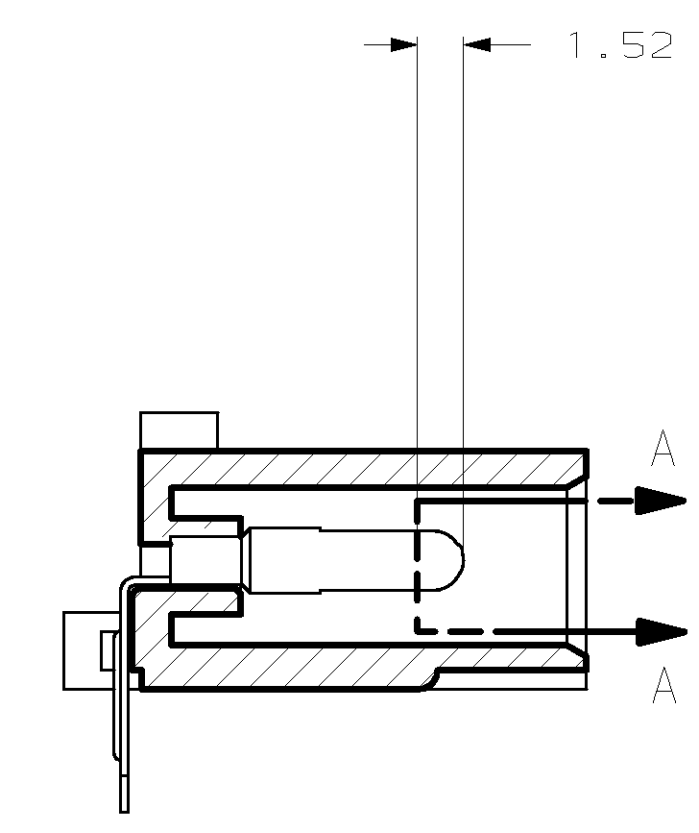
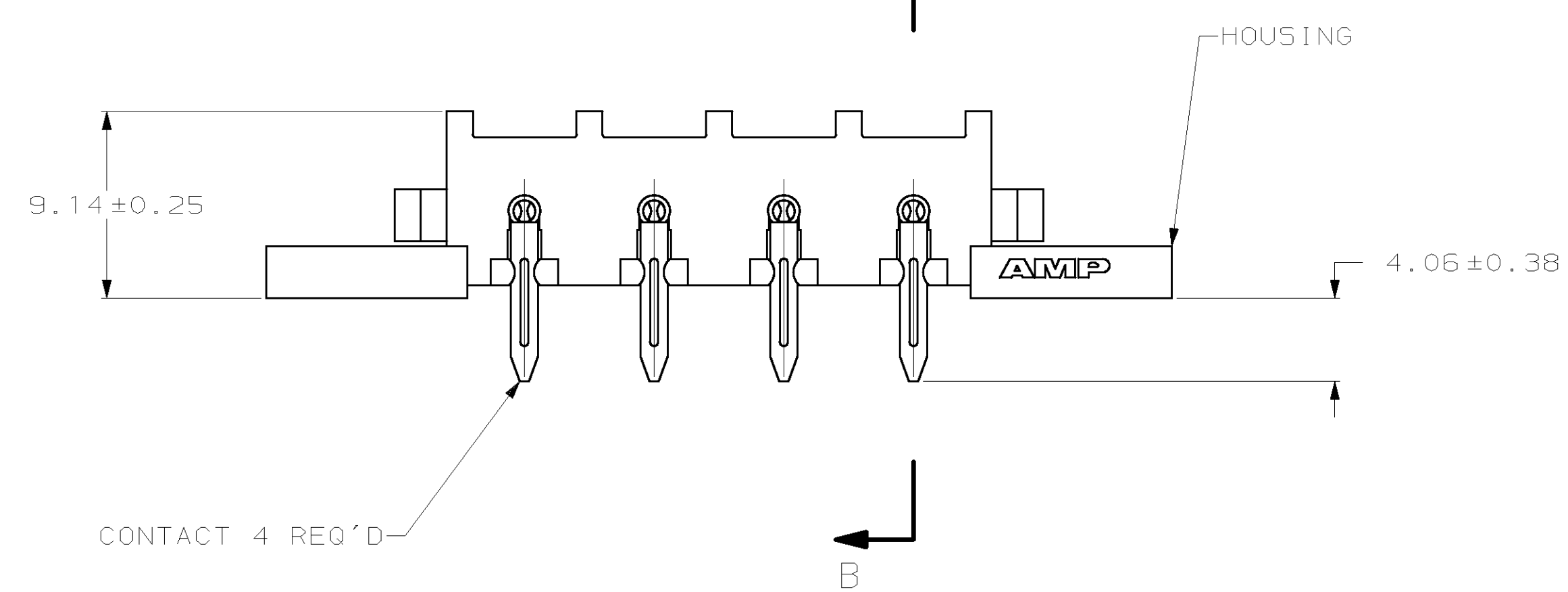
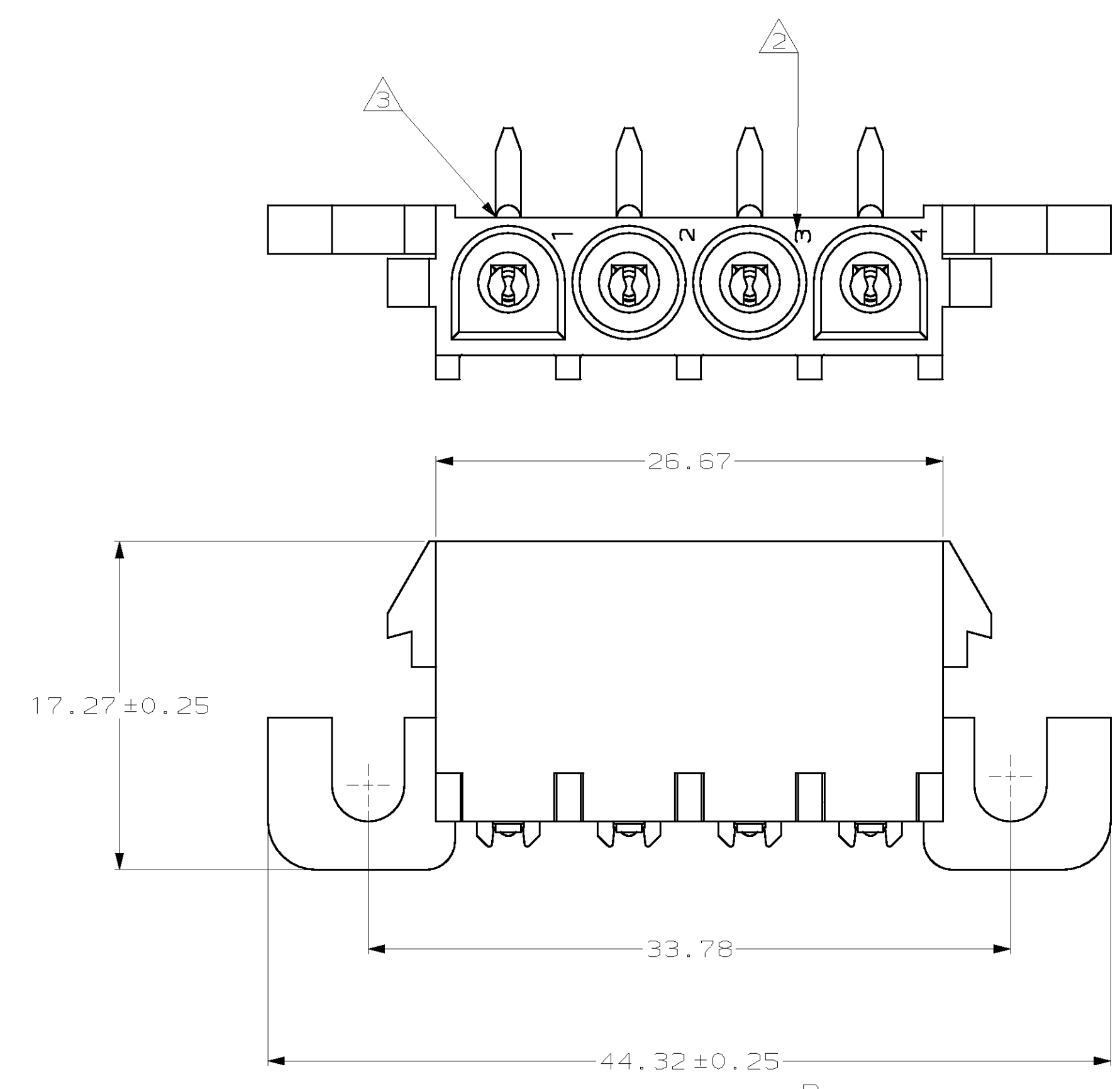
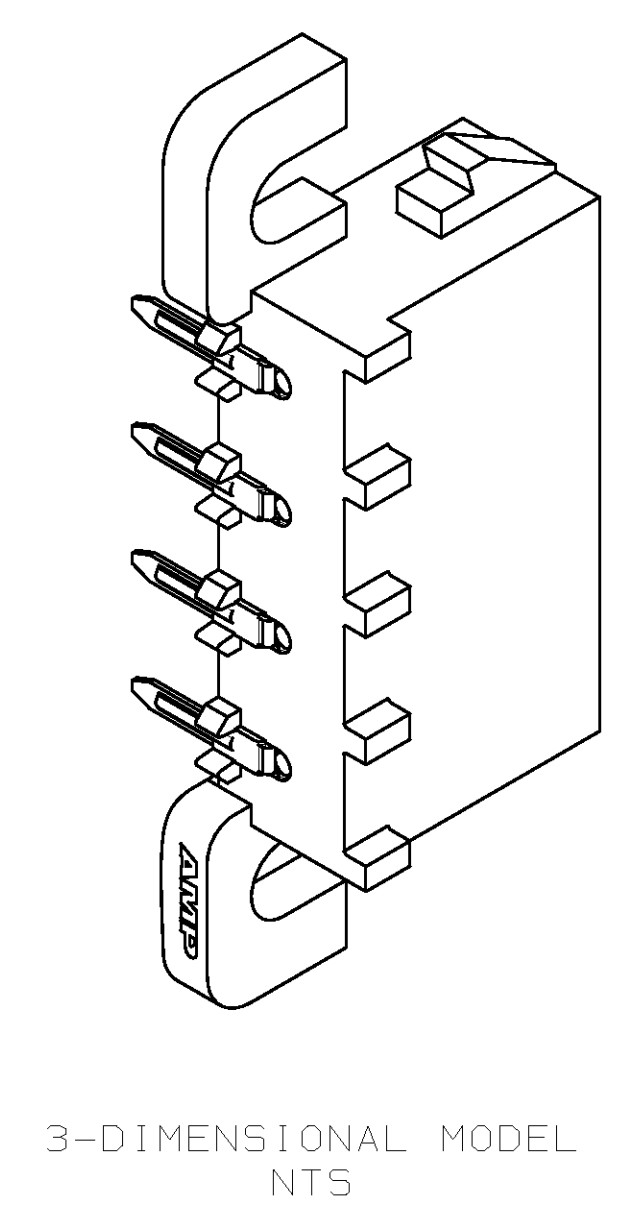


REV. LIST		REVISIONS				
NO.	DATE	BY	DESCRIPTION	DATE	OWN	APPROV
CM	53	M	REV & REDWN PER EC OG18-0126-98	4-30-98	BL	RS



MM	IN	MM	IN
3.81	.150	-	-
2.54	.100	44.32	1.745
2.24	.088	33.78	1.330
2.11	.083	26.67	1.050
1.98	.078	19.05	.750
1.85	.073	17.27	.680
1.57	.062	12.83	.505
1.52	.060	12.70	.500
0.38	.015	9.14	.360
0.25	.010	7.37	.290
0.13	.005	6.35	.250
0.08	.003	4.06	.160
MM	IN	MM	IN



RECOMMENDED MOUNTING HOLE PATTERN FOR 1.57 THICK P.C. BOARD



- PARTS COMPLY WITH AMP SOLDERABILITY SPECIFICATION 109-11-5.
- CIRCUIT IDENTIFICATION CHARACTERS ARE ADJACENT TO THE INDICATED CAVITIES, BUT LOCATION AND ORIENTATION MAY DIFFER FROM PRINT.
- OPTIONAL CONSTRUCTION MAY DELETE THIS RIB.

PH BRZ PRE-TIN	NYLON UL 94V-2	1-350948-0
CONTACT	HOUSING	PART NUMBER
DIMENSIONS: SEE TABLE TOLERANCES UNLESS OTHERWISE SPECIFIED: 0 PLC ± .01 1 PLC ± .013 2 PLC ± .015 3 PLC ± .02 4 PLC ± .025 ANGLES FINISH SEE TABLE		
DIMENSIONS: SEE TABLE TOLERANCES UNLESS OTHERWISE SPECIFIED: 0 PLC ± .01 1 PLC ± .013 2 PLC ± .015 3 PLC ± .02 4 PLC ± .025 ANGLES FINISH SEE TABLE		AMP INCORPORATED Harrisburg, PA 17105-3608 PIN HEADER ASSEMBLY, RIGHT ANGLE MOUNT, 4 POSITION, UNIVERSAL MATE-N-LOK™ SIZE: A1 CAGE CODE: 00779 DRAWING NO: C-350948 SCALE: 4:1 SHEET: 1 OF 1 REV: M