

10 9 8 7 6 5 4 3 2 1

F

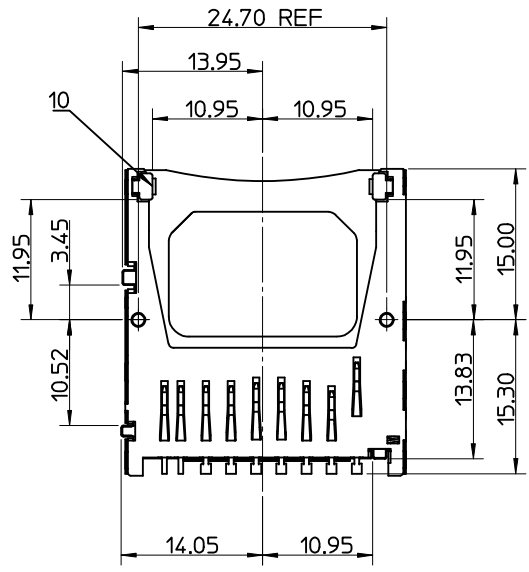
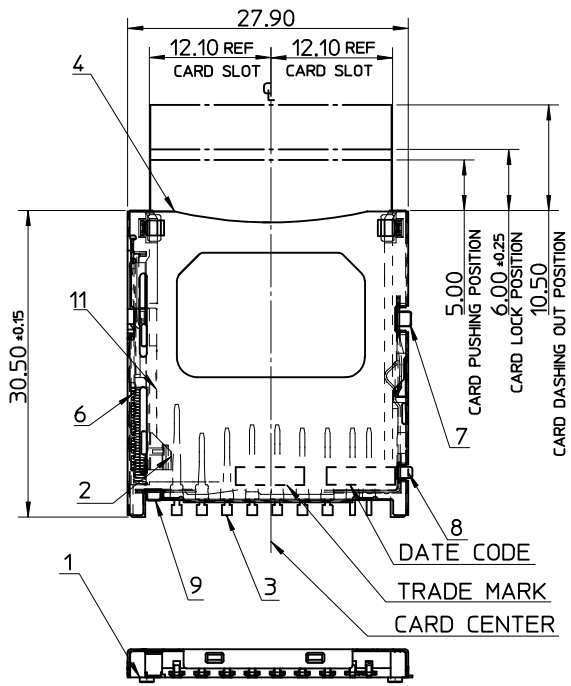
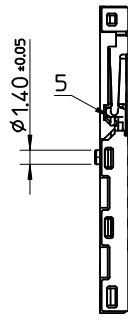
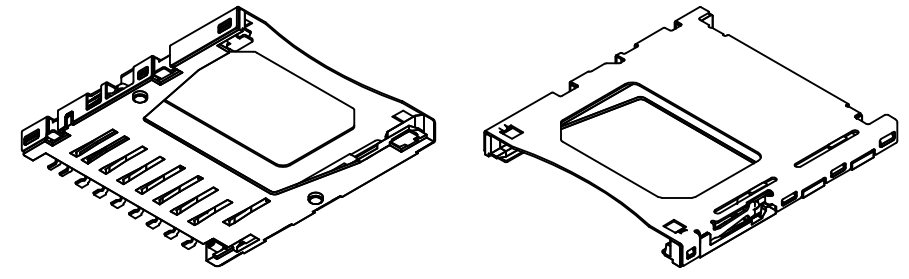
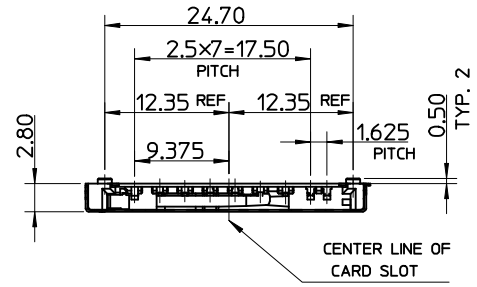
E

D

C

B

A



UPDATE DRAWING	2006/10/11	DR: WIMZHEN	2006/10/18	CHKD: JIAN	2006/10/19	APPR: JINCHEN
EC NO: SH2007-0231						
REV	DESCRIPTION					
B						

QUALITY SYMBOLS	▽=0	
	∇=0	
	GENERAL TOLERANCES (UNLESS SPECIFIED)	
	mm	INCH
	4 PLACES	± --- ± ---
3 PLACES	± --- ± ---	
2 PLACES	± 0.25 ± ---	
1 PLACE	± 0.25 ± ---	
ANGULAR ± 3 °		
DRAFT WHERE APPLICABLE MUST REMAIN WITHIN DIMENSIONS		

DIMENSION STYLE		SCALE	DESIGN UNITS	THIRD ANGLE PROJECTION
MM ONLY		1:1	METRIC	
DRAWN BY	DATE	TITLE		
MAX	2003/01/30	SD MEMORY CARD CONN. ASS'Y (TOP MOUNT) FOR LEAD FREE		
CHECKED BY	DATE			
WILSON	2003/01/30			
APPROVED BY	DATE			
ERICK	2003/01/30	MOLEX INCORPORATED		
MATERIAL NO.		DOCUMENT NO.		SHEET NO.
67600-0004		SD-67600-004		1 OF 2
SIZE	THIS DRAWING CONTAINS INFORMATION THAT IS PROPRIETARY TO MOLEX INCORPORATED AND SHOULD NOT BE USED WITHOUT WRITTEN PERMISSION			
A3				

9 8 7 6 5 4 3 2 1

