

10BASE-T NETWORK COMPONENTS

960050A

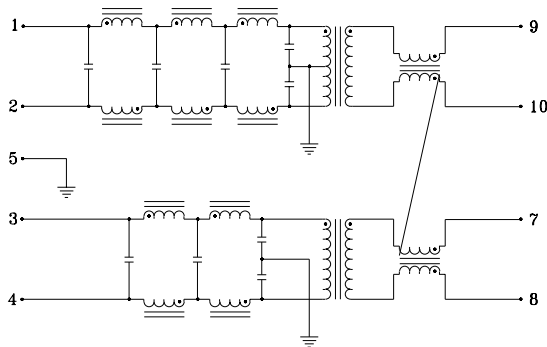
- Designs meet or exceed IEEE 802.3 10Base-T specifications
- Compatible with a variety of 10Base-T transceiver chipsets
- Multiple topologies and pinout variations for optimal performance and layout consideration
- 2000 Vrms isolation
- Through-hole and surface mount packaging

ELECTRICALS AT 25°C

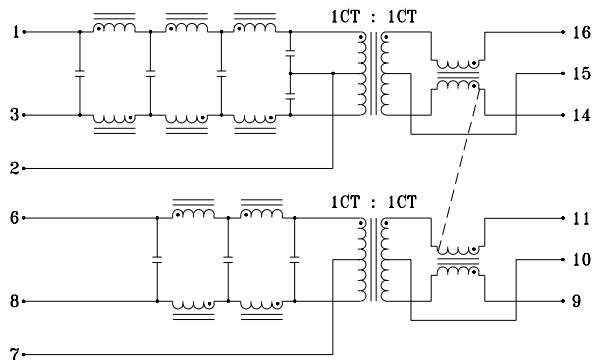
| Part No. | Insertion Loss (dB) Max 1-10MHz | Attenuation (dB) Min @30MHz | | Return Loss (dB) Min 500KHz-10MHz | Crosstalk (dB) Min | | CM-CM Rej (dB) Min | | | Schematic | Package Style |
|--------------|---------------------------------------|--------------------------------|-----|---|-----------------------|-------|-----------------------|-------|--------|-----------|------------------|
| | | TX | RX | | 1MHz-10MHz | 30MHz | 30MHz | 50MHz | 100MHz | | |
| 0556-2006-14 | -1.0 | -27 | -15 | -15 | -45 | -30 | -40 | -40 | -30 | A | 1 |
| 0556-3873-03 | -1.0 | -27 | -15 | -15 | -45 | -30 | -40 | -35 | -30 | B | 6 |
| 0556-5999-19 | -1.0 | -27 | -15 | -15 | -45 | -30 | -35 | -30 | -30 | C | 2 |
| A556-2006-00 | -1.0 | -27 | -15 | -15 | -45 | -30 | -35 | -30 | -25 | D | 3 |
| A556-2006-02 | -1.0 | -27 | -15 | -15 | -45 | -30 | -35 | -30 | -25 | E | 3 |
| A556-2006-03 | -1.0 | -27 | -15 | -15 | -45 | -30 | -35 | -30 | -25 | F | 3 |
| A556-2006-DE | -1.0 | -27 | -15 | -15 | -45 | -30 | -- | -- | -- | G | 3 |
| S556-5999-00 | -1.0 | -27 | -15 | -15 | -45 | -30 | -35 | -30 | -25 | D | 4 |
| S556-5999-02 | -1.0 | -27 | -15 | -15 | -45 | -30 | -35 | -30 | -25 | E | 4 |
| S556-5999-32 | -1.0 | -27 | -15 | -15 | -45 | -30 | -45 | -45 | -35 | H | 5 |
| S556-5999-DE | -1.0 | -27 | -15 | -15 | -45 | -30 | -- | -- | -- | G | 4 |

SCHEMATICS

A



B



Corporate Office

Bel Fuse Inc.
 198 Van Vorst Street, Jersey City, NJ 07302-4496
 Tel: 201-432-0463
 Fax: 201-432-9542
 E-Mail: BelFuse@belfuse.com
 Internet: <http://www.belfuse.com>

Far East Office

Bel Fuse Ltd.
 8F/8 Luk Hop Street
 San Po Kong
 Kowloon, Hong Kong
 Tel: 852-2328-5515
 Fax: 852-2352-3706

European Office

Bel Fuse Europe Ltd.
 Preston Technology Management Centre
 Marsh Lane, Preston PR1 8UD
 Lancashire, U.K.
 Tel: 44-1772-556601
 Fax: 44-1772-888366

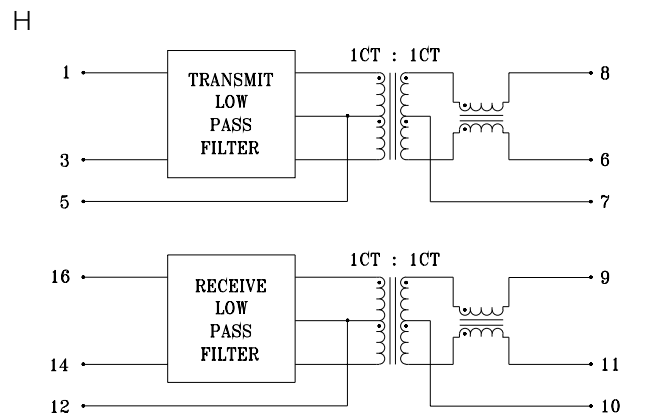
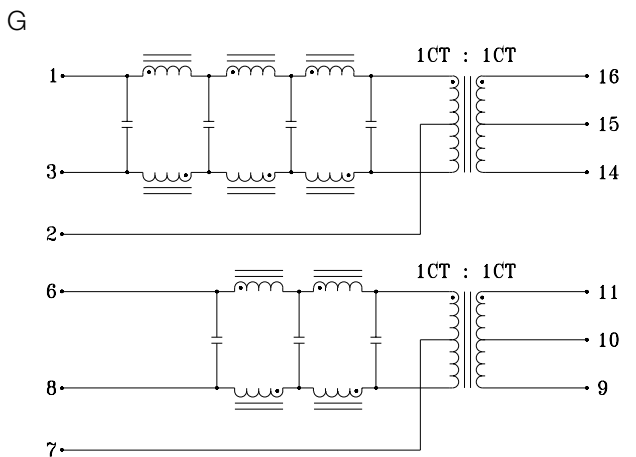
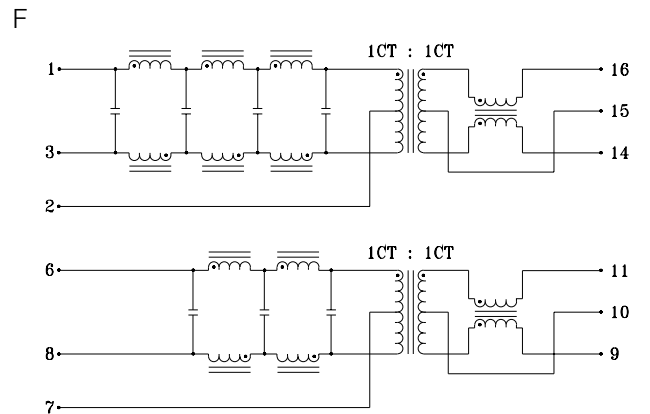
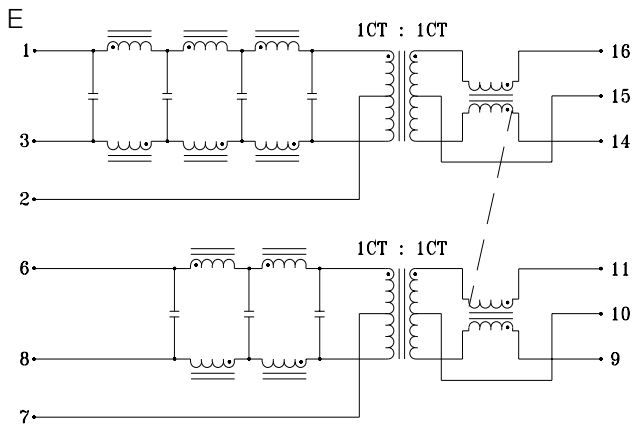
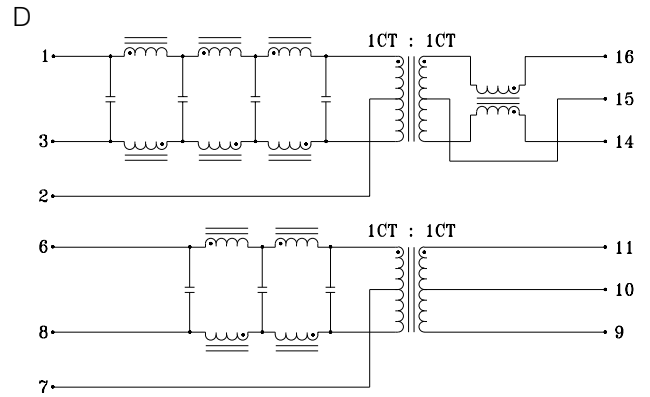
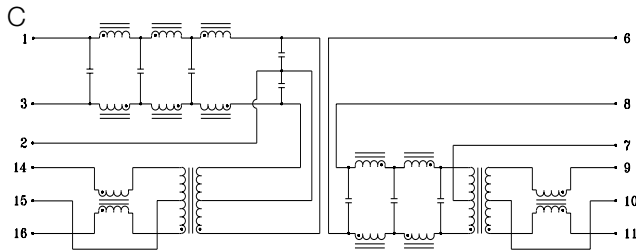


defining a degree of excellence

10BASE-T NETWORK COMPONENTS

960050A

SCHEMATICS (CONT'D)



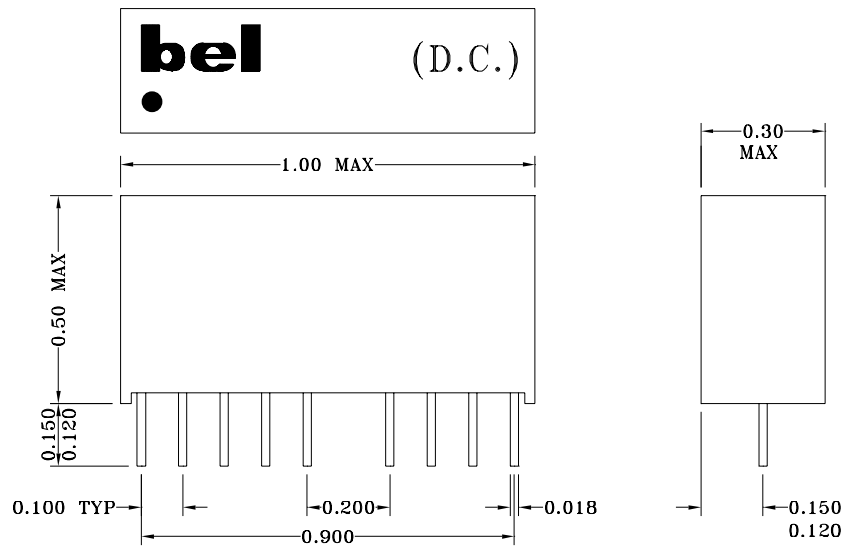
Specifications subject to change without notice.

10BASE-T NETWORK COMPONENTS

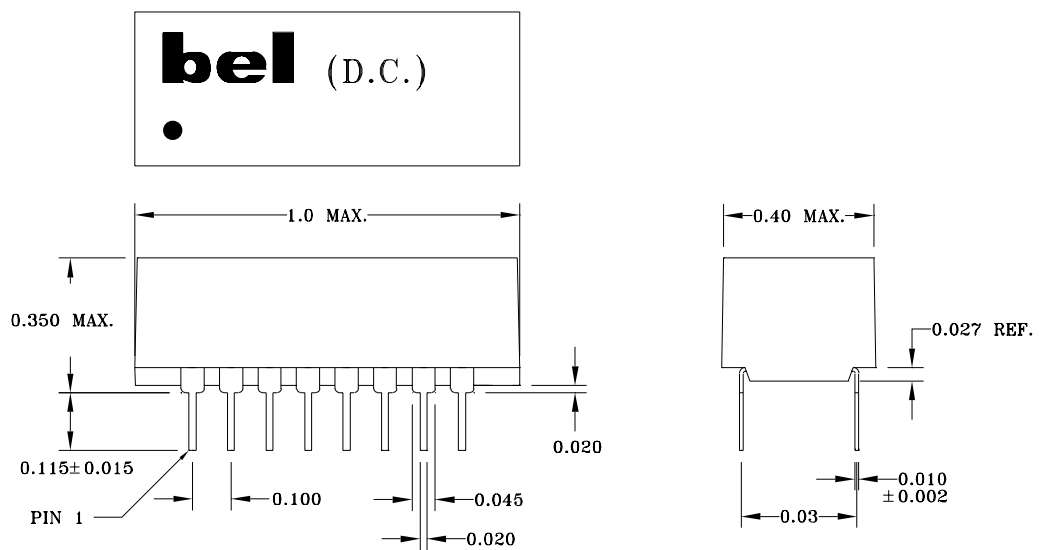
960050A

MECHANICALS

1



2



Specifications subject to change without notice.



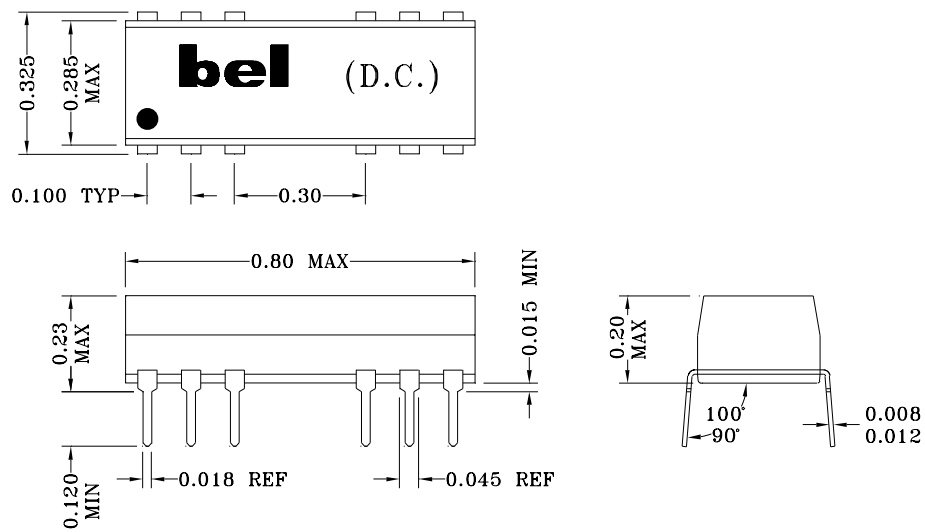
defining a degree of excellence

10BASE-T NETWORK COMPONENTS

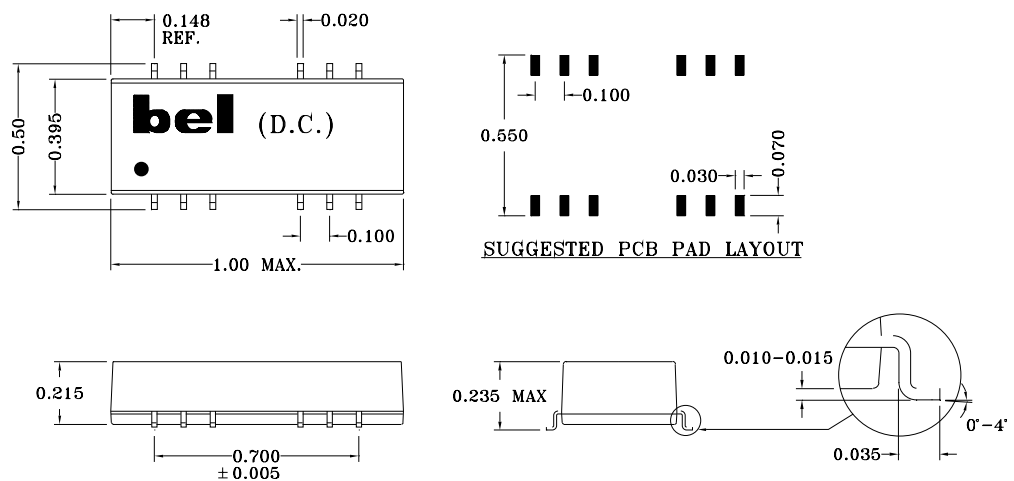
960050A

MECHANICALS (CONT'D)

3



4



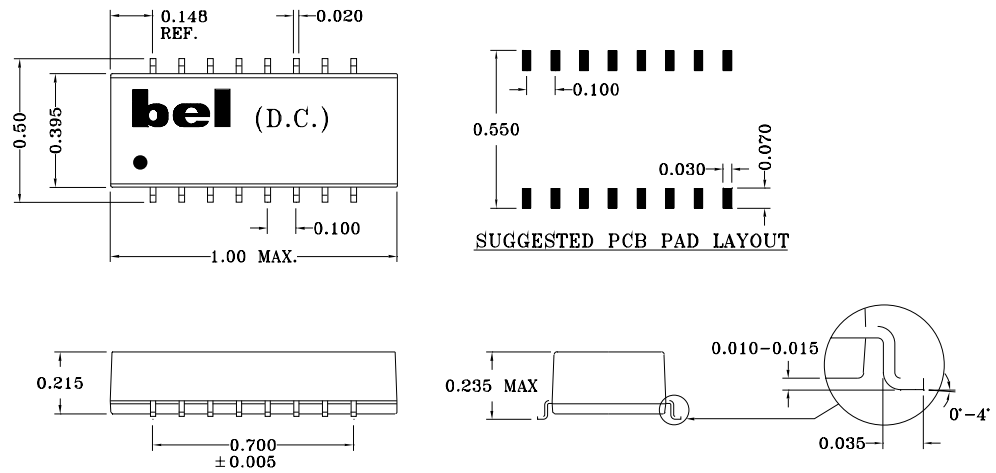
Specifications subject to change without notice.

10BASE-T NETWORK COMPONENTS

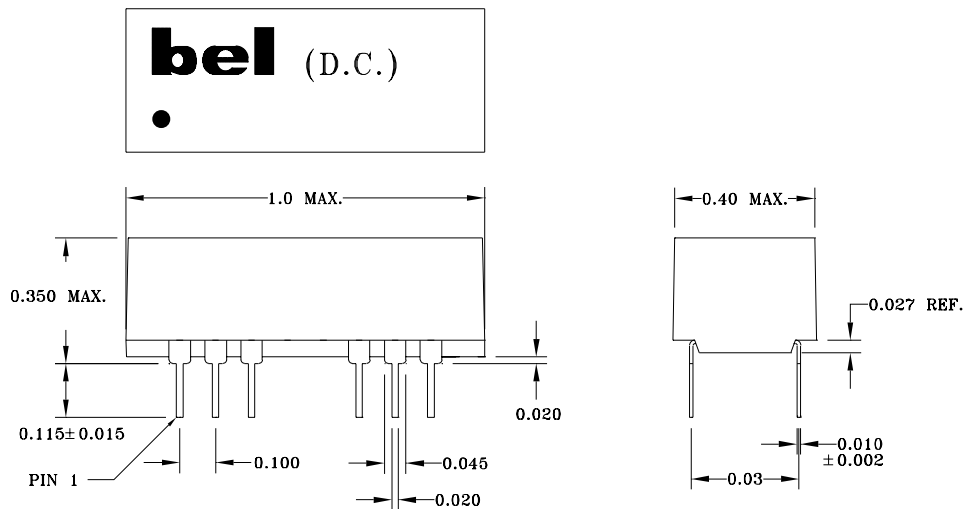
960050A

MECHANICALS (CONT'D)

5



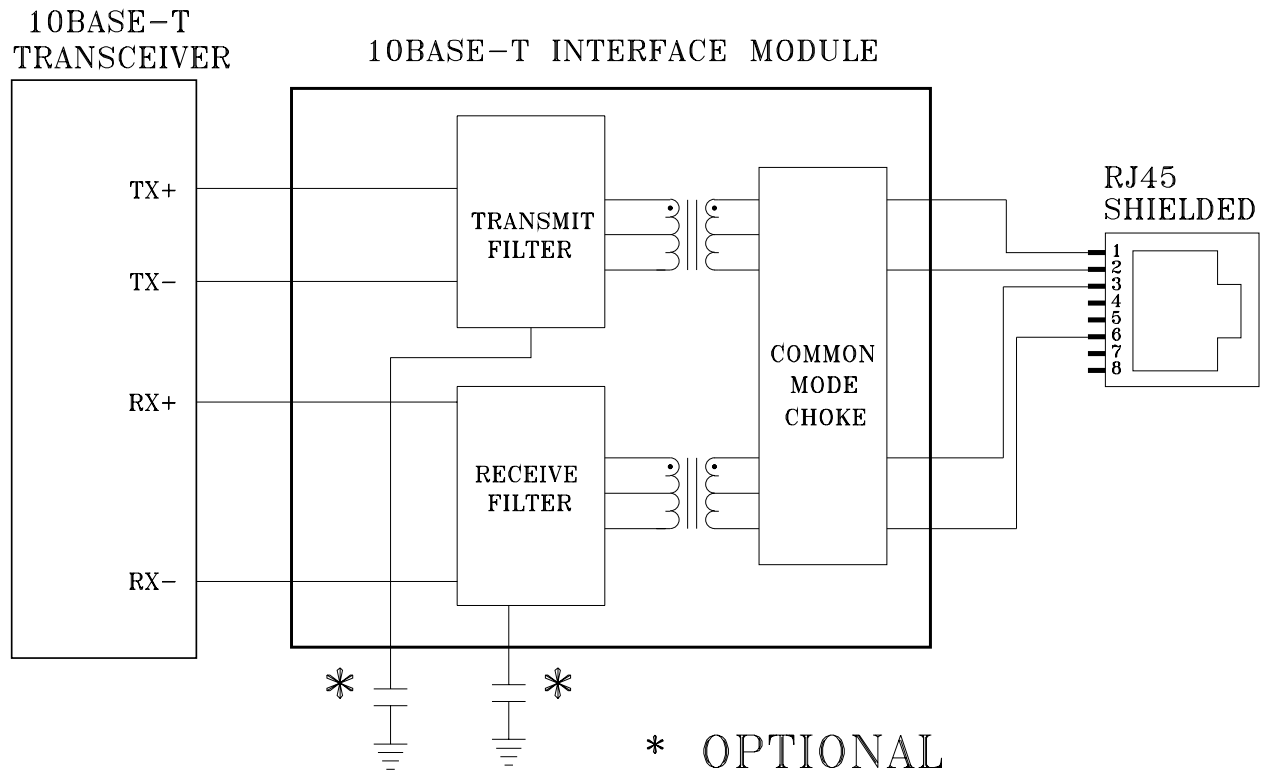
6



Specifications subject to change without notice.

10BASE-T NETWORK COMPONENTS

960050A

APPLICATION CIRCUIT**APPLICATION NOTES**

- Bel's surface mount 10Base-T network component filter modules provide the complete solution as the interface module between the IC transceiver chip and the media side connector. Designed within each module are transmit and receive filter networks, high voltage isolation transformers and high performance EMI suppression common mode chokes. Each module fully meets the IEEE 802.3 standards to 10 Mbps data rates over 100 meters of media cable.
- All of these part types have been designed to provide signal performance optimization, maximum noise reduction and minimum crosstalk interference. Careful board layout and grounding techniques are also critical to control jitter and signal reflections.
- Bel's low profile, surface mount packaging is ideal for high speed pick and place machinery. Parts can be shipped on tape and reel for high speed placement. Construction processes have been implemented for thermal compatibility with high temperature IR reflow assembly processing. Post dipping of leads assist with PC board solderability. Each part is optically inspected to meet rigid coplanarity requirements.

Corporate Office**Bel Fuse Inc.**

198 Van Vorst Street, Jersey City, NJ 07302-4496
Tel: 201-432-0463
Fax: 201-432-9542
E-Mail: BelFuse@belfuse.com
Internet: <http://www.belfuse.com>

Far East Office**Bel Fuse Ltd.**

8F/8 Luk Hop Street
San Po Kong
Kowloon, Hong Kong
Tel: 852-2328-5515
Fax: 852-2352-3706

European Office**Bel Fuse Europe Ltd.**

Preston Technology Management Centre
Marsh Lane, Preston PR1 8UD
Lancashire, U.K.
Tel: 44-1772-556601
Fax: 44-1772-888366