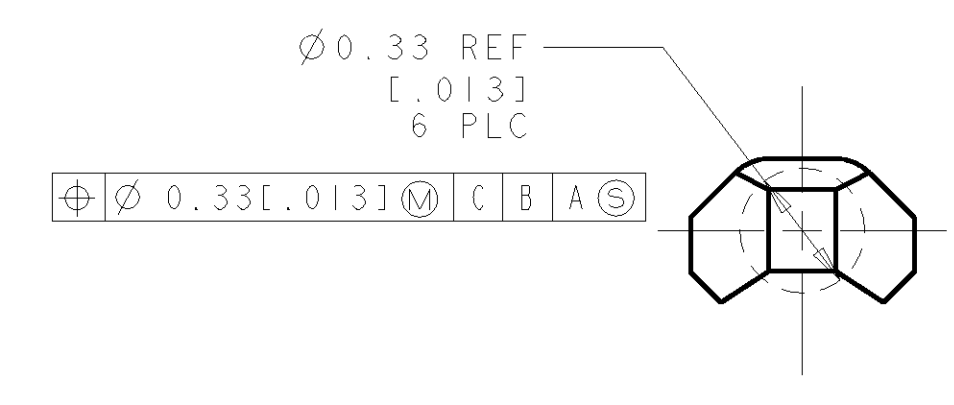
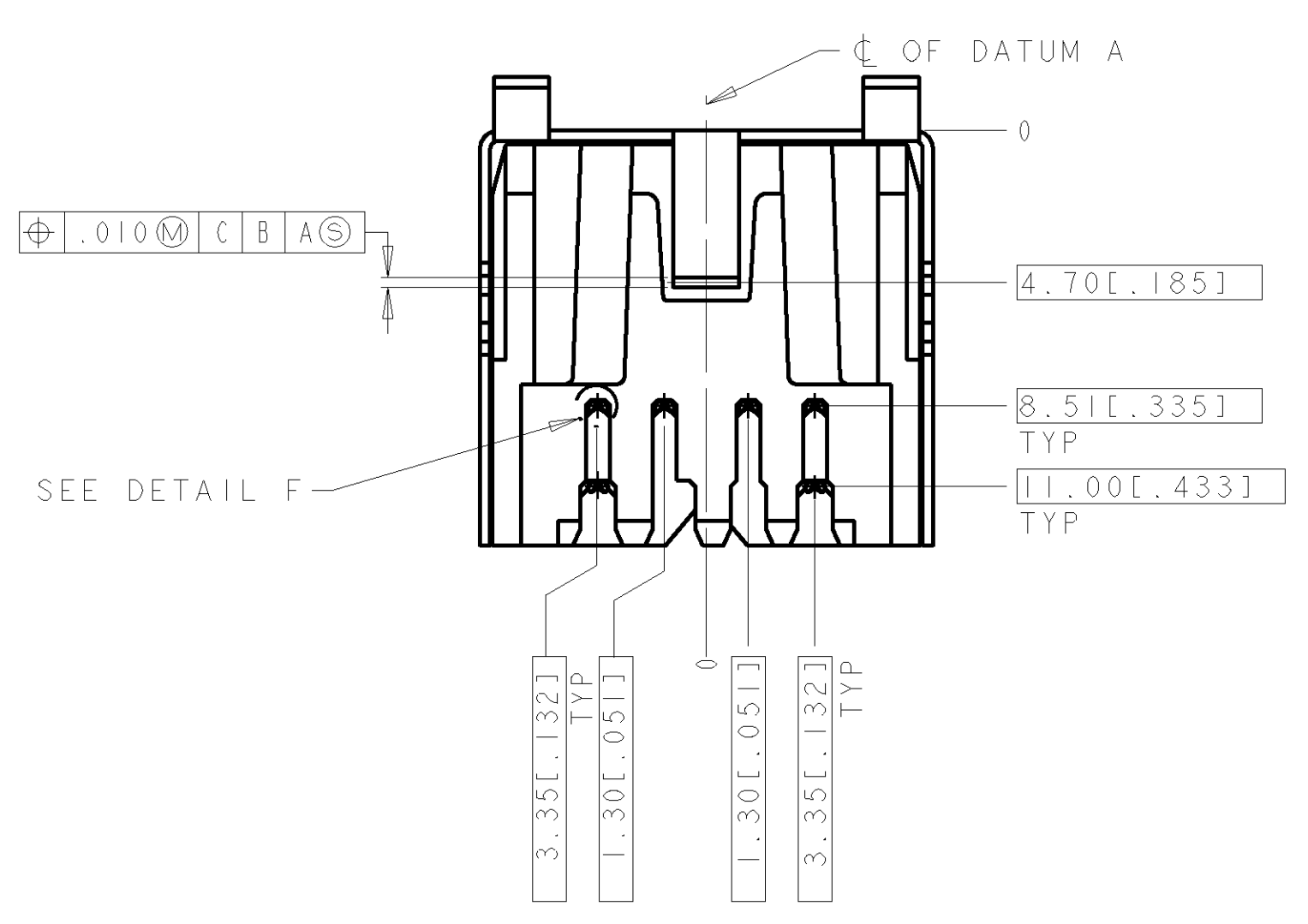
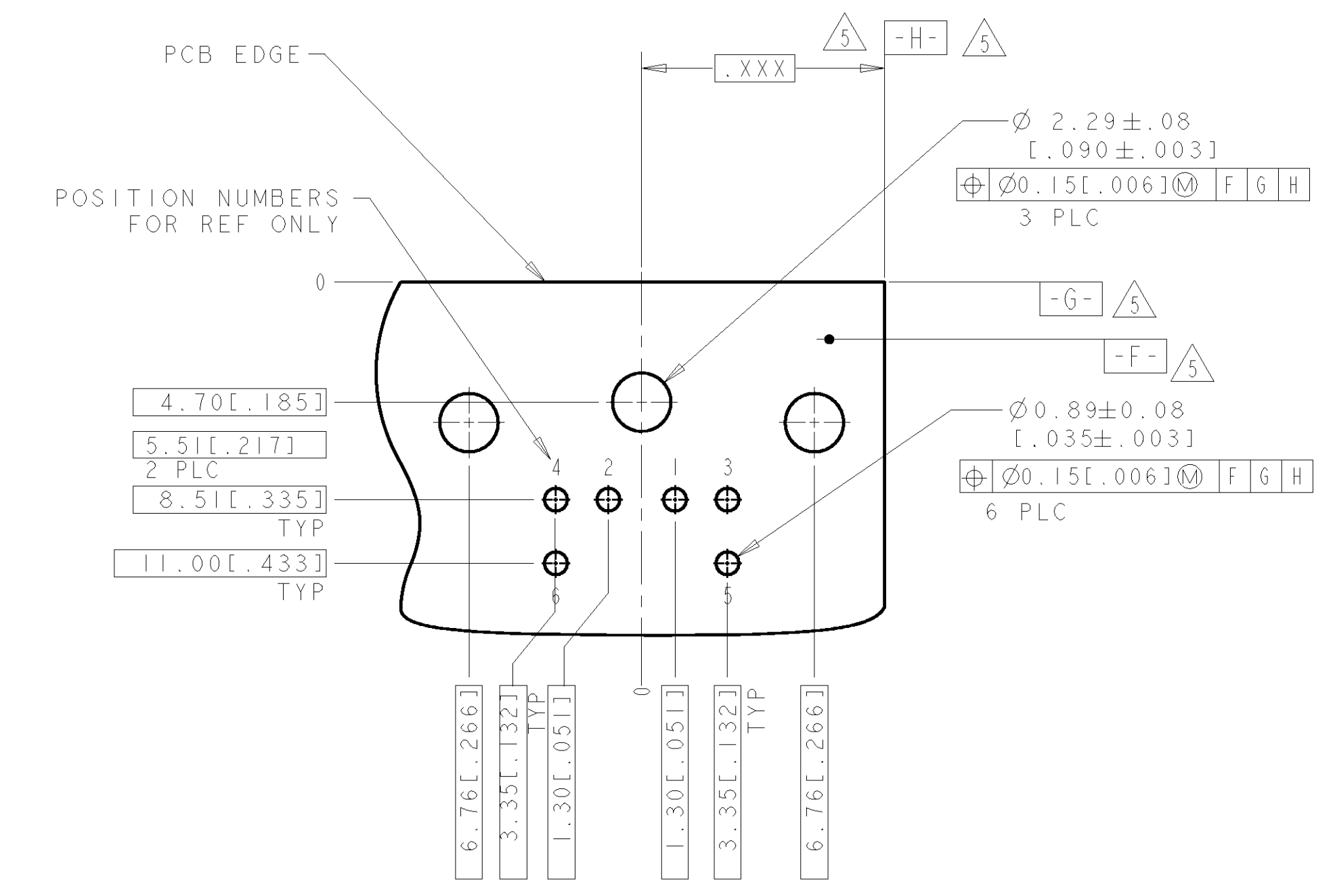
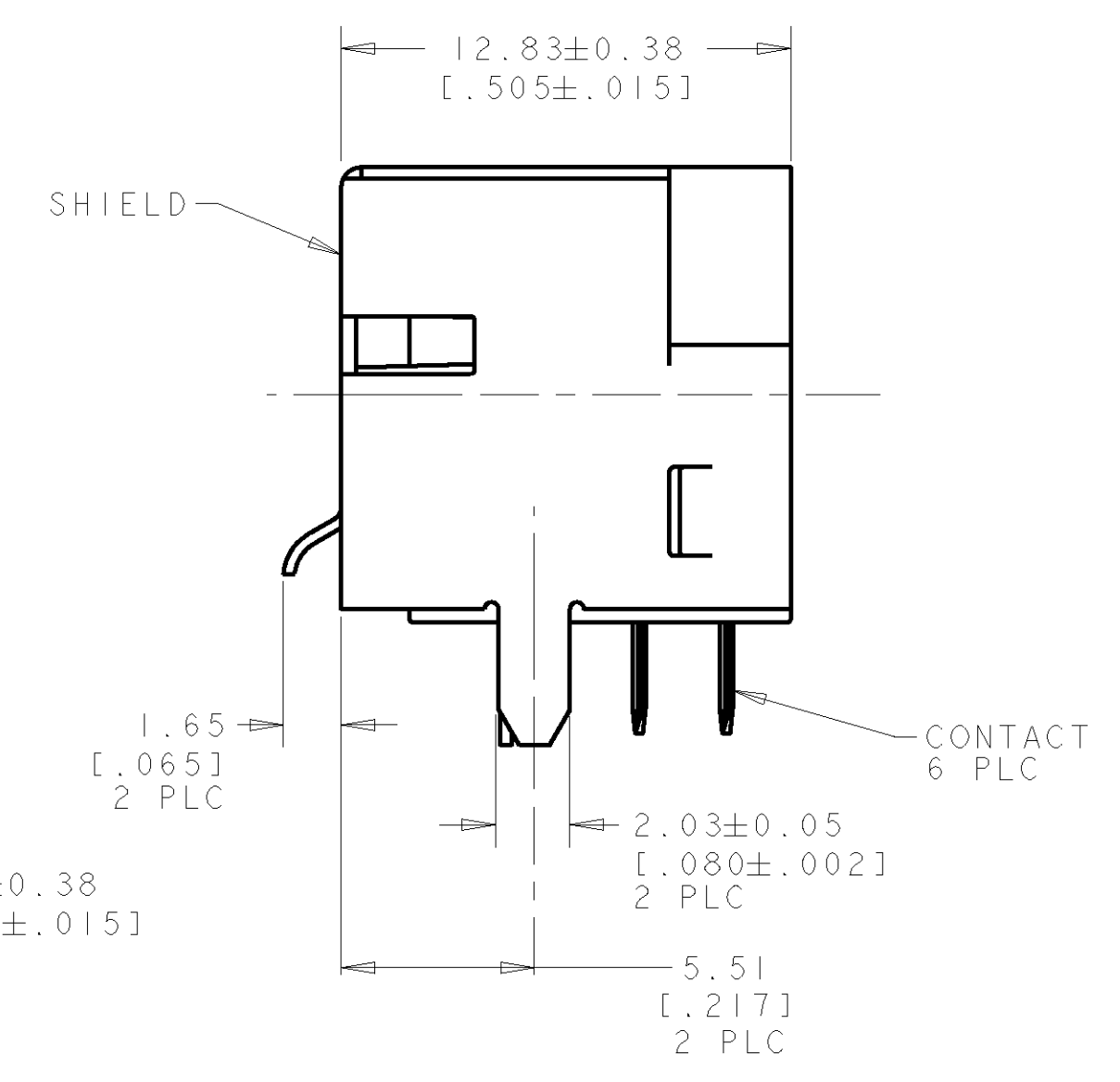
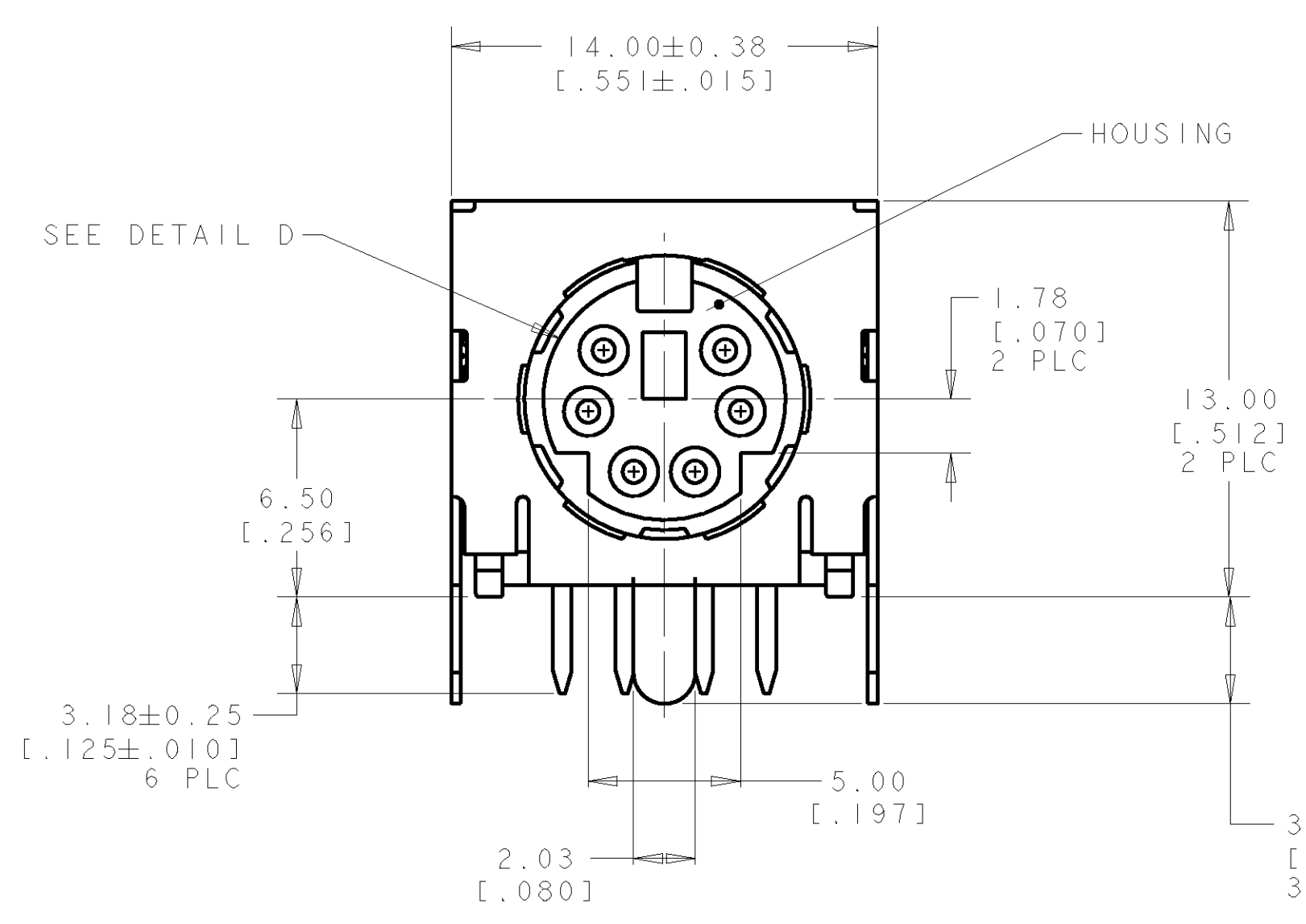


- 1 SHIELD & CONTACTS: COPPER ALLOY.
HOUSING: POLYESTER, UL 94V-0 RATED, BLACK.
- 2 0.76 μm [.000030] MIN GOLD FOR A LENGTH OF 1.27 [.050] MIN FROM MATING END, 3.05 μm [.000120] MIN MATTE-TIN ON OPPOSITE END, BOTH OVER 1.27 μm [.000050] MIN NICKEL.
- 3 1.50-4.00 μm [.000059-.000158] THICK BRIGHT TIN.
- 4 GOLD PLATING PER MIL-G-45204, TIN PLATING PER MIL-T-10727, NICKEL PLATING PER QQ-N-290.
- 5 DATUMS AND BASIC DIMENSION SUPPLIED BY CUSTOMER.



DETAIL F
SCALE 50:1

RECOMMENDED PC BOARD LAYOUT
BOTTOM VIEW

P/N: 5750071-1 AS SHOWN

DIMENSIONS: mm [INCHES]		TOLERANCES UNLESS OTHERWISE SPECIFIED:		DW: WYLEE 05JAN2005		CHK: SF LEONG		APD: SF LEONG		NAME: RECEPTACLE ASSY. FRONT PANEL GROUNDING, 6 POS. RIGHT ANGLE, MINIATURE CIRCULAR DIN	
0 PLC	±	1 PLC	±	2 PLC	±	3 PLC	±	4 PLC	±	5 PLC	±
6.76 [.266]		±0.13 [.005]		PRODUCT SPEC: 108-1225		APPLICATION SPEC:		SIZE: A1		CAGE CODE: 00779	
MATERIAL: 1		FINISH: 2, 3, 4		WEIGHT:		DRAWING NO: 5750071		SCALE: 5:1		SHEET 1 OF 1	
CUSTOMER DRAWING											