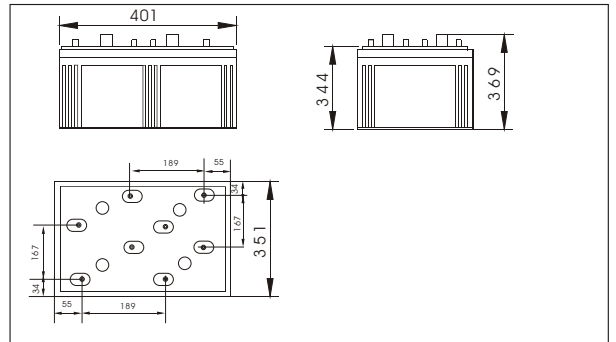




SW21750(2V1750AH)



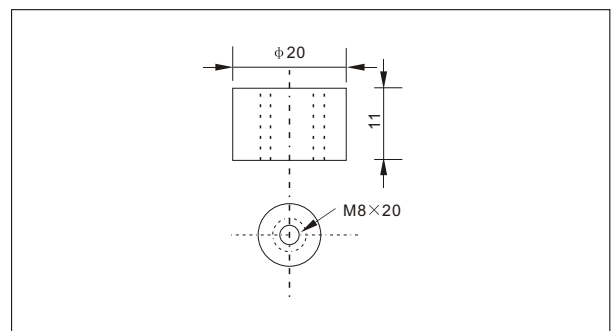
● Outer dimensions (mm)



● Specifications

Nominal Voltage		2 V
Rated capacity (10 hour rate)		1750 Ah
Dimensions	Total Height	369 mm (14.5 inches)
	Height	344 mm (13.5 inches)
	Length	401 mm (15.8 inches)
	Width	351 mm (13.8 inches)
Weight Approx		110 Kg(243lbs)

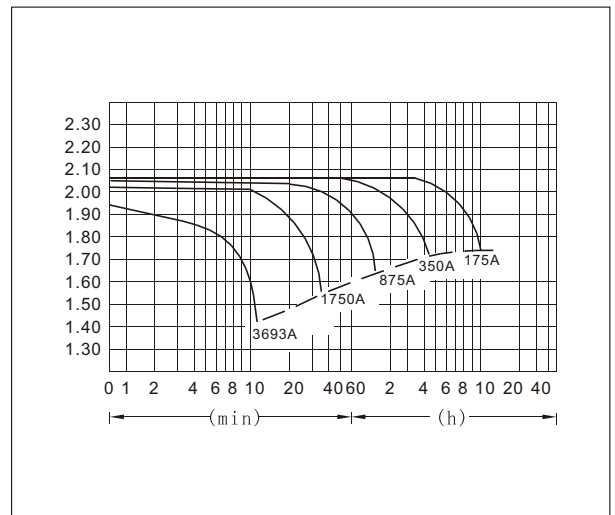
● Terminal Type (mm)



● Characteristics

Capacity 25°C(77°F)	10 hour rate(175 A)	1750 AH
	5 hour rate(280 A)	1400 AH
	1 hour rate(1050 A)	1050 AH
Internal Resistance	Full charged Battery at 25°C(77°F)	Approx 0.13 mΩ
Capacity affected by Temperature (10hour rate)	40°C(104°F)	102%
	25°C(77°F)	100%
	0°C(32°F)	85%
	-15°C(5°F)	65%
Self-Discharge at 25°C(77°F)	Capacity after 3 month storage	91%
	Capacity after 6 month storage	82%
	Capacity after 12 month storage	64%
Terminal		T20
Charge (constant Voltage)	Cycle	Initial Charging Current less than 700 A Voltage 2.35-2.40V
	Float	Voltage 2.25-2.30V

● Discharge Curves 25°C(77°F)



Constant Current(Amp) and Constant Power(Watt) Discharge Table at 25°C(77°F)

Time		5min	10min	15min	30min	1h	2h	3h	4h	5h	8h	10h	20h
1.60V	A	5605	3693	2977	1995	1050	612.5	449.8	350.0	288.8	204.8	183.8	99
	W	9641	6573	5319	3575	1890	1121	834.3	656.3	547.2	391.1	353.7	192
1.70V	A	5429	3332	2804	1908	987	584.5	437.5	341.3	283.5	199.5	180.3	96.3
	W	9663	6201	5229	3569	1860	1123	844.4	661.3	550.8	389.0	352.9	188.2
1.75V	A	5252	2980	2452	1785	956	570.5	427.0	336.0	280.0	197.8	176.8	96.3
	W	9558	5651	4663	3424	1844	1103	829.2	655.2	547.1	387.6	348.6	189.6
1.80V	A	5061	2809	2279	1645	924	556.5	416.5	330.8	273.0	192.5	175.0	94.5
	W	9464	5398	4375	3176	1793	1086	818.4	650.9	537.8	380.2	346.7	187.6
1.85V	A	4891	2632	2104	1470	893	542.5	402.5	322.0	266.0	187.3	166.3	89.3
	W	9244	5080	4081	2867	1749	1069	797.0	639.2	529.1	373.8	334.5	180.3