

# Customer Information Sheet

DRAWING No.: M80-754XXX

SHEET 2 OF 2

IF IN DOUBT - ASK



NOT TO SCALE

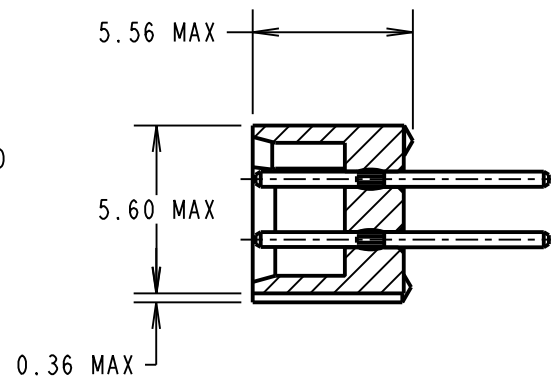
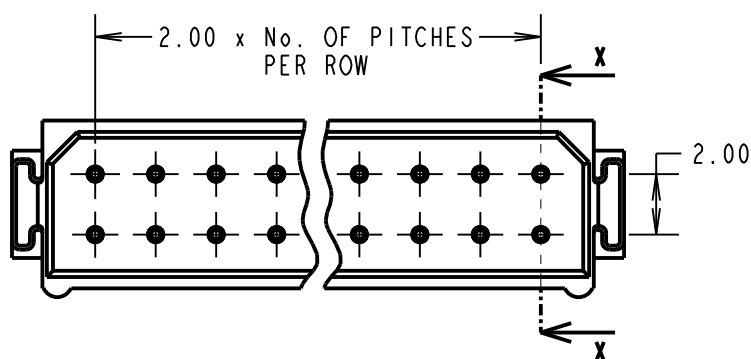
THIRD ANGLE PROJECTION

ALL DIMENSIONS IN mm

ORDER CODE:  
**M80-754XXX**

TOTAL No. OF WAYS \_\_\_\_\_  
04, 06, 08, 10, 12, 14,  
16, 18, 20, 26, 34, 44

FINISH: \_\_\_\_\_  
22 - GOLD ON CONTACT AREA  
TIN/LEAD ON TAILS  
42 - GOLD ON CONTACT AREA  
100% TIN ON TAILS  
45 - GOLD



SPECIFICATIONS:

MATERIAL:  
MOULDING = POLYAMIDE 46 UL94V-0, BLACK  
CONTACTS = PHOSPHOR BRONZE

FINISH:  
CONTACTS:  
22 = 0.75µ GOLD ON CONTACT AREA,  
3.0µ 90/10 TIN/LEAD ON TAILS  
42 = 0.75µ GOLD ON CONTACT AREA,  
3.0µ 100% OVER NICKEL TIN ON TAILS  
45 = 0.75µ GOLD

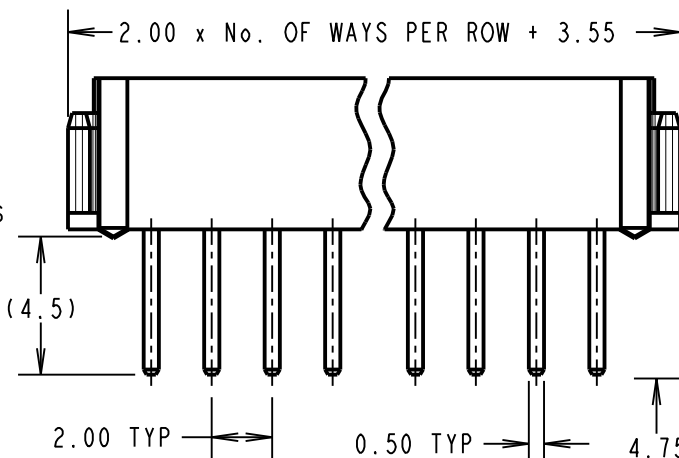
ELECTRICAL:  
CURRENT RATING (25°C) = 3.0A MAX.  
CURRENT RATING (85°C) = 2.2A MAX.  
WORKING VOLTAGE = 120V AC/DC  
VOLTAGE PROOF = 360V AC/DC  
CONTACT RESISTANCE:  
INITIAL = 20 mΩ MAX.  
AFTER CONDITIONING = 25 mΩ MAX.  
INSULATION RESISTANCE:  
INITIAL = 1000 MΩ MIN.  
AFTER CONDITIONING = 100 MΩ MIN.

MECHANICAL:  
DURABILITY = 500 OPERATIONS

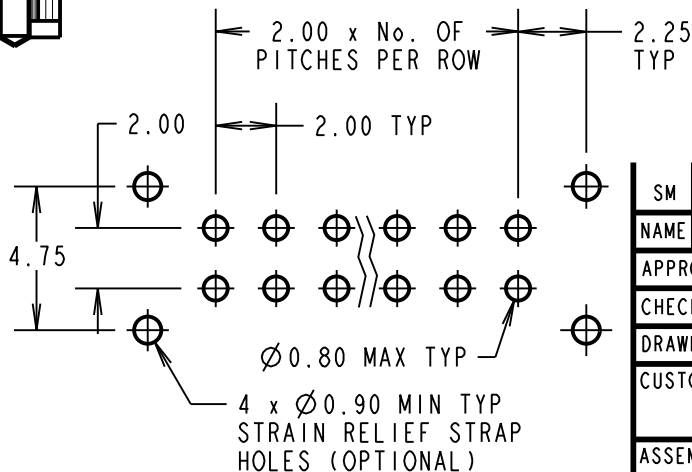
ENVIRONMENTAL:  
TEMPERATURE RANGE = -55°C TO +125°C

PACKING:  
TUBE

FOR COMPLETE SPECIFICATION, SEE COMPONENT SPECIFICATION C005XX (LATEST ISSUE)



RECOMMENDED PCB LAYOUT



NOTES:  
1. 2-OFF STRAIN RELIEF STRAPS  
M80-0030006 MAY BE USED  
WITH THIS CONNECTOR

SM	3	27.05.11	10832
NAME	ISS.	DATE	C/NOTE
APPROVED: S. MCCULLAGH			
CHECKED: M. G. PLESTED			
DRAWN: JM BROOKES		CUSTOMER REF.:	
ASSEMBLY DRG:			

**HARWIN**

HARWIN USA TEL: 603 893 5376 FAX: 603 893 5396 mis@harwin.com	HARWIN Europe (UK) TEL: 023 9231 4545 FAX: 023 9231 4590 mis@harwin.co.uk	HARWIN Asia TEL: +65 6 779 4909 FAX: +65 6 779 3868 mis@harwin.com.sg
------------------------------------------------------------------------	------------------------------------------------------------------------------------	--------------------------------------------------------------------------------

THIS DRAWING AND ANY INFORMATION OR DESCRIPTIVE MATTER SET OUT HEREON ARE CONFIDENTIAL AND COPYRIGHT PROPERTY OF THE HARWIN GROUP AND MUST NOT BE DISCLOSED, LOANED, COPIED OR USED FOR MANUFACTURING, TENDERING OR FOR ANY OTHER PURPOSE WITHOUT THEIR WRITTEN PERMISSION.

TOLERANCES  
X. = ±1mm  
X.X = ±0.25mm  
X.XX = ±0.10mm  
X.XXX = ±0.01mm  
ANGLES = ±5°  
UNLESS STATED

MATERIAL: SEE ABOVE  
FINISH: SEE ABOVE  
S/AREA: mm<sup>2</sup>

TITLE: DATAMATE DIL VERTICAL MALE PC TAIL ASSEMBLY - UNLATCHED  
DRAWING NUMBER: **M80-754XXX**  
SHT 2 OF 2