



**FEATURES:**

- Performs the PHY-Transmission Convergence (TC) and Physical Media Dependent (PMD) Sublayer functions for three 25.6 Mbps ATM channels
- Compliant to ATM Forum (af-phy-040.000) and ITU-T I.432.5 specifications for 25.6 Mbps physical interface
- Also operates at 51.2Mbps
- UTOPIA Level 1, UTOPIA Level 2, or DPI-4 Interface
- 3-Cell Transmit & Receive FIFOs
- LED Interface for status signalling
- Supports UTP Category 3 physical media
- Interfaces to standard magnetics
- Low-Power CMOS
- 3.3V supply with 5V tolerant inputs
- 144-pin PQFP Package (28 x 28 mm)

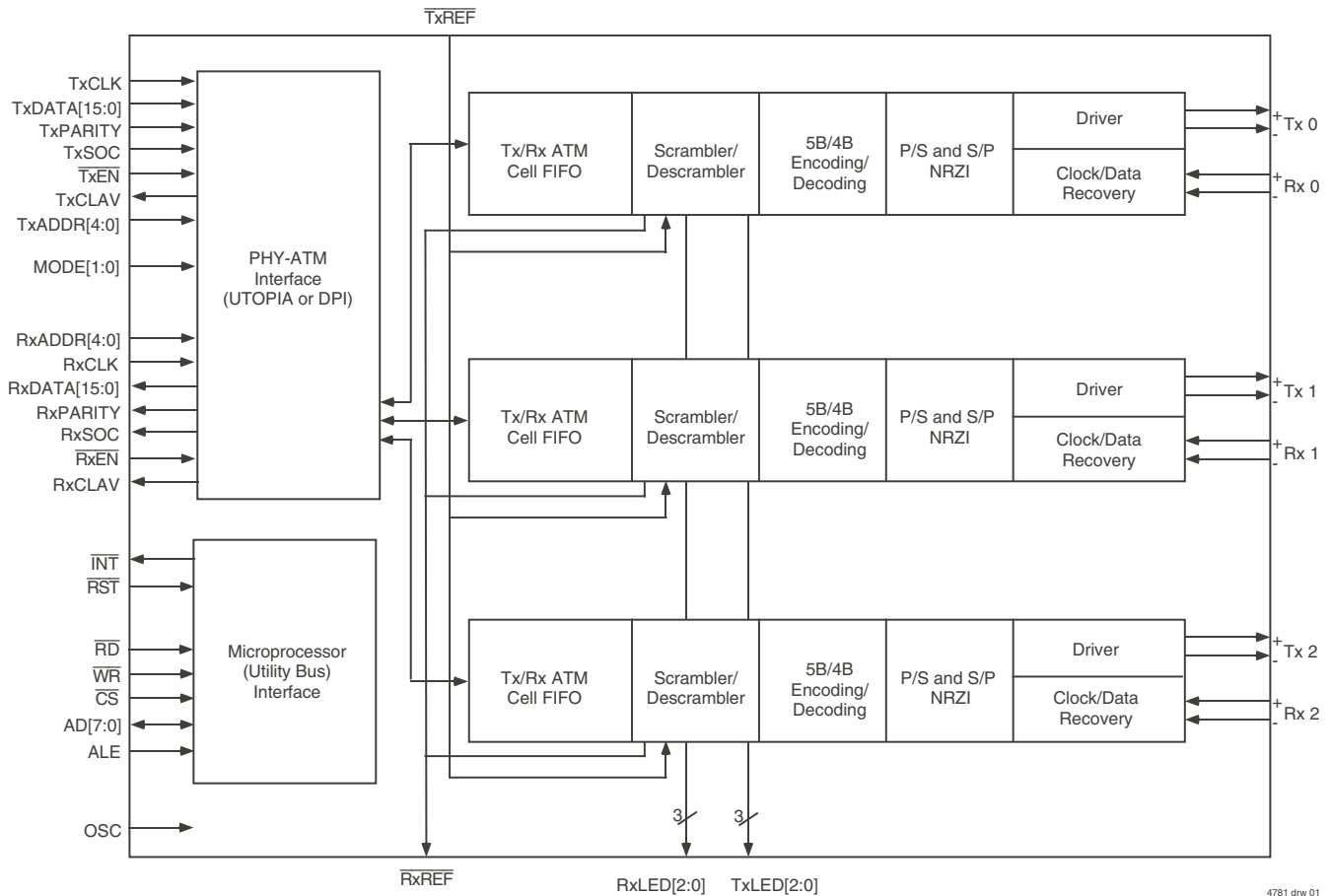
**DESCRIPTION:**

The IDT77V1253 is a member of IDT's family of products supporting Asynchronous Transfer Mode (ATM) data communications and networking. The IDT77V1253 implements the physical layer for 25.6Mbps ATM, connecting three serial copper links (UTP Category 3) to one ATM layer device such as a SAR or a switch ASIC. The IDT77V1253 also operates at 51.2Mbps, and is well suited to backplane driving applications.

The 77V1253-to-ATM layer interface is selectable as one of three options: 16-bit UTOPIA Level 2, 8-bit UTOPIA Level 1 Multi-PHY, or triple 4-bit DPI (Data Path Interface).

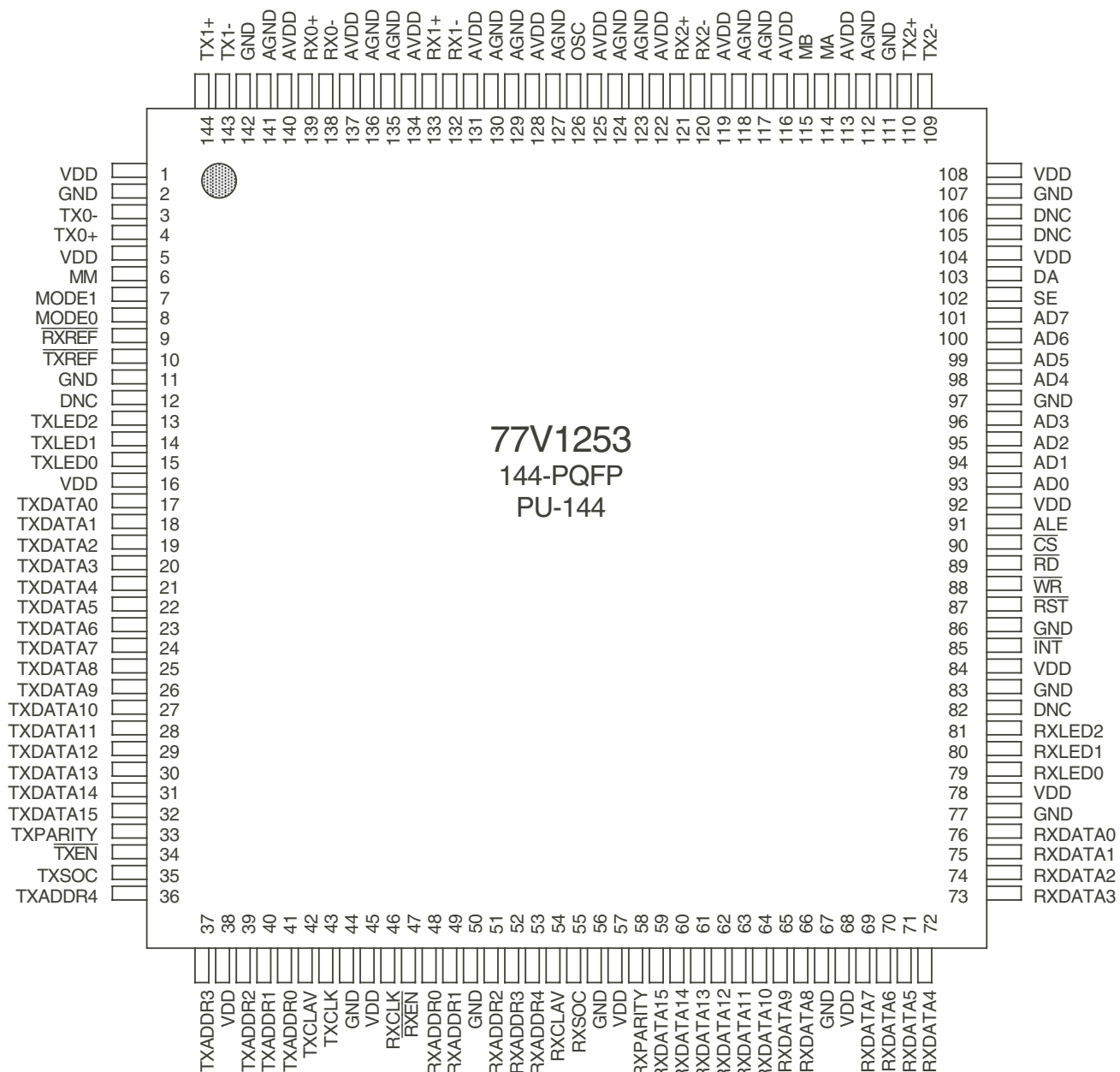
The IDT77V1253 is fabricated using IDT's state-of-the-art CMOS technology, providing the highest levels of integration, performance and reliability, with the low-power consumption characteristics of CMOS.

**FUNCTIONAL BLOCK DIAGRAM - UTOPIA LEVEL 2 MODE**



4781 drw 01

**PIN CONFIGURATION:**



4781 dnr 02

Figure 1. Pin Assignments

**TABLE 1 — SIGNAL DESCRIPTIONS**

LINE SIDE SIGNALS

| SIGNAL NAME | PIN NUMBER | I/O | SIGNAL DESCRIPTION  |
|-------------|------------|-----|---|
| RX0+,-      | 139, 138   | In  | Port 0 positive and negative receive differential input pair.   |
| RX1+,-      | 133, 132   | In  | Port 1 positive and negative receive differential input pair.   |
| RX2+,-      | 121, 120   | In  | Port 2 positive and negative receive differential input pair.   |
| TX0+,-      | 4, 3       | Out | Port 0 positive and negative transmit differential output pair. |
| TX1+,-      | 144, 143   | Out | Port 1 positive and negative transmit differential output pair. |
| TX2+,-      | 110, 109   | Out | Port 2 positive and negative transmit differential output pair. |

UTILITY BUS SIGNALS

| SIGNAL NAME     | PIN NUMBER                          | I/O    | SIGNAL DESCRIPTION   |
|-----------------|-------------------------------------|--------|--|
| AD[7:0]         | 101, 100, 99, 98,<br>96, 95, 94, 93 | In/Out | Utility bus address/data bus. The address input is sampled on the falling edge of ALE. Data is output on this bus when a read is performed. Input data is sampled at the completion of a write operation.                                  |
| ALE             | 91                                  | In     | Utility bus address latch enable. Asynchronous input. An address on the AD bus is sampled on the falling edge of ALE. ALE may be either high low when the AD bus is being used for data.   |
| $\overline{CS}$ | 90                                  | In     | Utility bus asynchronous chip select. $\overline{CS}$ must be asserted to read or write an internal register. It may remain asserted at all times if desired.  |
| $\overline{RD}$ | 89                                  | In     | Utility bus read enable. Active low asynchronous input. After latching an address, a read is performed by deasserting $\overline{WR}$ and asserting $\overline{RD}$ and $\overline{CS}$ .  |
| $\overline{WR}$ | 88                                  | In     | Utility bus write enable. Active low asynchronous input. After latching an address, a write is performed by deasserting $\overline{RD}$ , placing data on the AD bus, and asserting $\overline{WR}$ and $\overline{CS}$ . Data is sampled. |

MISCELLANEOUS SIGNALS

| SIGNAL NAME      | PIN NUMBER       | I/O | SIGNAL DESCRIPTION   |
|------------------|------------------|-----|--|
| DA               | 103              | In  | Reserved signal. This input must be connected to logic low.  |
| DNC              | 12, 82, 105, 106 | Out | Do Not Connect. Do not connect these pins to anything external to the chip. They must remain open.   |
| $\overline{INT}$ | 85               | Out | Interrupt. $\overline{INT}$ is an open-drain output, driven low to indicate an interrupt. Once low, $\overline{INT}$ remains low until the interrupt status in the appropriate interrupt Status Register is read. Interrupt sources are programmable via the interrupt Mask Registers. |
| MA               | 114              | In  | Reserved signal. This input must be connected to logic low.  |
| MB               | 115              | In  | Reserved signal. This input must be connected to logic low.  |
| MM               | 6                | In  | Reserved signal. This input must be connected to logic high.   |
| MODE[1:0]        | 7, 8             | In  | Mode Selects. They determine the configuration of the PHY/ATM interface. 00 = UTOPIA Level 2. 01 = UTOPIA Level 1. 10 = DPI. 11 is reserved.   |
| OSC              | 126              | In  | TTL line rate clock source, driven by a 100 ppm oscillator. 32 MHz for 25.6 Mbps; 64 MHz for 51.2 Mbps.  |
| $\overline{RST}$ | 87               | In  | Reset. Active low asynchronous input resets all control logic, counters and FIFOs. A reset must be performed after power up prior to normal operation of the part.   |
| RXLED[2:0]       | 81, 80, 79       | Out | Receive LED drivers. Driven low for $2^{23}$ RCLK or DPICLK cycles, beginning with RXSOC when that port receives a good (non-null and non-errored) cell. Drives 8 mA both high and low. One per port.  |

**TABLE 1 — SIGNAL DESCRIPTIONS (CONTINUED):**

| SIGNAL NAME               | PIN NUMBER | I/O | SIGNAL DESCRIPTION   |
|---------------------------|------------|-----|--|
| $\overline{\text{RXREF}}$ | 9          | Out | Receive Reference. Active low, synchronous to OSC. $\overline{\text{RXREF}}$ pulses low for a programmable number of clock cycles when an x_8 command byte is received. Register 0x40 is programmed to indicate which port is referenced.          |
| SE                        | 102        | In  | Reserved signal. This input must be connected to logic low.  |
| TXLED[2:0]                | 13, 14, 15 | Out | Ports 2 thru 0 Transmit LED driver. Goes low for $2^{23}$ TCLK or DPICLK cycles, beginning with TXSOC when this port receives a cell for transmission. 8 mA drive current both high and low. One per port.   |
| $\overline{\text{TXREF}}$ | 10         | In  | Transmit Reference. Synchronous to OSC. On the falling edge of $\overline{\text{TXREF}}$ , an X_8 command byte is inserted into the transmit data stream. Logic for this signal is programmed in register 0x40. Typical application is WAN timing. |

POWER SUPPLY SIGNALS

| SIGNAL NAME | PIN NUMBER  | I/O | SIGNAL DESCRIPTION  |
|-------------|---|-----|---|
| AGND        | 112, 117, 118, 123,<br>124, 127, 129, 130,<br>135, 136, 141 | —   | Analog ground. AGND supply a ground reference to the analog portion of the ship, which sources a more constant current than the digital portion.      |
| AVDD        | 113, 116, 119, 122,<br>125, 128, 131, 134,<br>137, 140      | —   | Analog power supply $3.3 \pm 0.3V$ AVDD supply power to the analog portion of the chip, which draws a more constant current than the digital portion. |
| GND         | 2, 11, 44, 50, 56,<br>67, 77, 83, 86, 97,<br>107, 111, 142  | —   | Digital Ground.   |
| VDD         | 1, 5, 16, 38, 45,<br>57, 68, 78, 84, 92,<br>104, 108        | —   | Digital power supply. $3.3 \pm 0.3V$ .  |

16-BIT UTOPIA 2 SIGNALS (MODE[1:0] = 00)

| SIGNAL NAME              | PIN NUMBER   | I/O | SIGNAL DESCRIPTION  |
|--------------------------|--|-----|---|
| RXADDR[4:0]              | 53, 52, 51, 49, 48   | In  | Utopia 2 Receive Address Bus. This bus is used in polling and selecting the receive port. The port addresses are defined in bits [4:0] of the Enhanced Control Registers.   |
| RXCLAV                   | 54   | Out | Utopia 2 Receive Cell Available. Indicates the cell available status of the addressed port. It is asserted when a full cell is available for retrieval from the receive FIFO. When non of the three ports is addressed, RXCLAV is high impedance. |
| RXCLK                    | 46   | In  | Utopia 2 Receive Clock. This is a free running clock input.   |
| RXDATA[15:0]             | 59, 60, 61, 62, 63, 64,<br>65, 66, 69, 70, 71, 72,<br>73, 74, 75, 76 | Out | Utopia 2 Receive Data. When one of the three ports is selected, the 77V1253 transfers received cells to an ATM device across this bus. Also see RXPARITY.   |
| $\overline{\text{RXEN}}$ | 47   | In  | Utopia 2 Receive Enable. Driven by an ATM device to indicate its ability to receive data across the RXDATA bus.   |
| RXPARITY                 | 58   | Out | Utopia 2 Receive Data Parity. Odd parity over RXDATA[15:0].   |
| RXSOC                    | 55   | Out | Utopia 2 Receive Start of Cell. Asserted coincident with the first word of data for each cell on RXDATA.  |
| TXADDR[4:0]              | 36, 37, 39, 40, 41   | In  | Utopia 2 Transmit Address Bus. This bus is used in polling and selecting the transmit port. The port addresses are defined in bits [4:0] of the Enhanced Control Registers.   |
| TXCLAV                   | 42   | Out | Utopia 2 Transmit Cell Available. Indicates the availability of room in the transmit FIFO of the addressed port for a full cell. When none of the three ports is addressed, TXCLAV is high impedance.   |

**TABLE 1 — SIGNAL DESCRIPTIONS (CONTINUED):**

| SIGNAL NAME              | PIN NUMBER   | I/O | SIGNAL DESCRIPTION   |
|--------------------------|--|-----|--|
| TXCLK                    | 43   | In  | Utopia Transmit Clock. This is a free running clock input.   |
| TXDATA[15:0]             | 32, 31, 30, 29, 28,<br>27, 26, 25, 24, 23, 22,<br>21, 20, 19, 18, 17 | In  | Utopia 2 Transmit Data. An ATM device transfers cells across this bus to the 77V1253 for transmission. Also see TXPARITY.  |
| $\overline{\text{TXEN}}$ | 34   | In  | Utopia 2 Transmit Enable. Driven by an ATM device to indicate it is transmitting data across the TXDATA bus.   |
| TXPARITY                 | 33   | In  | Utopia 2 Transmit Data Parity. Odd parity across TXDATA[15:0]. Parity is checked and errors are indicated in the Interrupt Status Registers, as enabled in the Master Control Registers. No other action is taken in the event of an error. Tie high or low if unused. |
| TXSOC                    | 35   | In  | Utopia 2 Transmit Start of Cell. Asserted coincident with the first word of data for each cell on TXDATA.  |

8-BIT UTOPIA LEVEL 1 SIGNALS (MODE[1:0] = 01)

| SIGNAL NAME                   | PIN NUMBER                        | I/O | SIGNAL DESCRIPTION   |
|-------------------------------|-----------------------------------|-----|--|
| RXCLAV[2:0]                   | 65, 66, 54                        | Out | Utopia 1 Receive Cell Available. Indicates the cell available status of the respective port. It is asserted when a full cell is available for retrieval from the receive FIFO.   |
| RXCLK                         | 46                                | In  | Utopia 1 Receive Clock. This is a free running clock input.  |
| RXDATA[7:0]                   | 69, 70, 71, 72,<br>73, 74, 75, 76 | Out | Utopia 1 Receive Data. When one of the three ports is selected, the 77V1253 transfers received cells to an ATM device across this bus. Bit 5 in the Diagnostic Control Registers determines whether RXDATA tri-states when $\overline{\text{RXEN}}[2:0]$ are high. Also see RXPARTY. |
| $\overline{\text{RXEN}}[2:0]$ | 49, 48, 47                        | In  | Utopia 1 Receive Enable. Driven by an ATM device to indicate its ability to receive data across the RXDATA bus. One for each port.   |
| RXPARTY                       | 58                                | Out | Utopia 1 Receive Data Parity. Odd parity over RXDATA[7:0].   |
| RXSOC                         | 55                                | Out | Utopia 1 Receive Start of Cell. Asserted coincident with the first word of data for each cell on RXDATA. Tri-statable as determined by bit 5 in the Diagnostic Control Registers.  |
| TXCLAV[2:0]                   | 40, 41, 42                        | Out | Utopia 1 Transmit cell Available. Indicates the availability of room in the transmit FIFO of the respective port for a full cell.  |
| TXCLK                         | 43                                | In  | Utopia 1 Transmit Clock. This is a free running clock input.   |
| TXDATA[7:0]                   | 24, 23, 22, 21,<br>20, 19, 18, 17 | In  | Utopia 1 Transmit Data. An ATM device transfers cells across the bus to the 77V1253 for transmission. Also see TXPARITY.   |
| $\overline{\text{TXEN}}[2:0]$ | 26, 25, 34                        | In  | Utopia 1 Transmit Enable. Driven by an ATM device to indicate it is transmitting data across the TXDATA bus. One for each port.  |
| TXPARITY                      | 33                                | In  | Utopia 1 Transmit Data Parity. Odd parity across TXDATA[7:0]. Parity is checked and errors are indicated in the Interrupt Status Registers, as enabled in the Master Control Registers. No other action is taken in the event of an error. Tie high or low if unused.                |
| TXSOC                         | 35                                | In  | Utopia 1 Transmit Start of Cell. Asserted coincident with the first word of data for each cell on TXDATA.  |

DPI MODE SIGNALS (MODE[1:0] = 10)

| SIGNAL NAME | PIN NUMBER   | I/O | SIGNAL DESCRIPTION  |
|-------------|--|-----|---|
| DPICLK      | 43   | In  | DPI Source Clock for Transmit. This is the free-running clock used as the source to generate Pn_TCLK.   |
| Pn_RCLK     | 51, 49, 48   | In  | DPI Port 'n' Receive Clock. Pn_RCLK is cycled to indicate that the interfacing device is ready to receive a nibble of data on Pn_RD[3:0] of port 'n'. |
| Pn_RD[3:0]  | 63, 64, 65, 66,<br>69, 70, 71, 72,<br>73, 74, 75, 76 | Out | DPI Port 'n' Receive Data. Cells received on port 'n' are passed to the interfacing device across this bus. Each port has its own dedicated bus.      |

**TABLE 1 — SIGNAL DESCRIPTIONS (CONTINUED):**

| SIGNAL NAME | PIN NUMBER   | I/O | SIGNAL DESCRIPTION  |
|-------------|--|-----|---|
| Pn_PFRM     | 58, 54, 55   | Out | DPI Port 'n' Receive Frame. Pn_RFRM is asserted for one cycle immediately preceding the transfer of each cell on Pn_RD[3:0].                                |
| Pn_TCLK     | 39, 40, 41   | Out | DPI Port 'n' Transmit Clock. Pn_TCLK is derived from DPICLK and is cycled when the respective port is ready to accept another 4 bits of data on Pn_TD[3:0]. |
| Pn_TD[3:0]  | 28, 27, 26, 25,<br>24, 23, 22, 21,<br>20, 19, 18, 17 | In  | DPI Port 'n' Transmit Data. Cells are passed across this bus to the PHY for transmission on port 'n'. Each port has its own dedicated bus.                  |
| Pn_TFRM     | 36, 33, 34, 35                                       | In  | DPI Port 'n' Transmit Frame. Start of cell signal which is asserted for one cycle immediately preceding the first 4 bits of each cell on Pn_TD[3:0].        |

4781 tbl 04

**TABLE 2 — SIGNAL ASSIGNMENT AS A FUNCTION OF PHY/ATM INTERFACE MODE:**

| SIGNAL NAME               | PIN NUMBER | 16-BIT UTOPIA 2<br>MODE[1,0] = 00 | 8-BIT UTOPIA 1<br>MODE[1,0] = 01 | DPI<br>MODE[1,0] = 10 |
|---------------------------|------------|-----------------------------------|----------------------------------|-----------------------|
| VDD                       | 1          |                                   |                                  |                       |
| GND                       | 2          |                                   |                                  |                       |
| TX0-                      | 3          |                                   |                                  |                       |
| TX0+                      | 4          |                                   |                                  |                       |
| VDD                       | 5          |                                   |                                  |                       |
| MM                        | 6          |                                   |                                  |                       |
| MODE1                     | 7          |                                   |                                  |                       |
| MODE0                     | 8          |                                   |                                  |                       |
| $\overline{\text{RXREF}}$ | 9          |                                   |                                  |                       |
| $\overline{\text{TXREF}}$ | 10         |                                   |                                  |                       |
| GND                       | 11         |                                   |                                  |                       |
| DNC                       | 12         |                                   |                                  |                       |
| TXLED2                    | 13         |                                   |                                  |                       |
| TXLED1                    | 14         |                                   |                                  |                       |
| TXLED0                    | 15         |                                   |                                  |                       |
| VDD                       | 16         |                                   |                                  |                       |
| TXDATA0                   | 17         | TXDATA0                           | TXDATA0                          | P0_TD[0]              |
| TXDATA1                   | 18         | TXDATA1                           | TXDATA1                          | P0_TD[1]              |
| TXDATA2                   | 19         | TXDATA2                           | TXDATA2                          | P0_TD[2]              |
| TXDATA3                   | 20         | TXDATA3                           | TXDATA3                          | P0_TD[3]              |
| TXDATA4                   | 21         | TXDATA4                           | TXDATA4                          | P1_TD[0]              |
| TXDATA5                   | 22         | TXDATA5                           | TXDATA5                          | P1_TD[1]              |
| TXDATA6                   | 23         | TXDATA6                           | TXDATA6                          | P1_TD[2]              |
| TXDATA7                   | 24         | TXDATA7                           | TXDATA7                          | P1_TD[3]              |
| TXDATA8                   | 25         | TXDATA8                           | $\overline{\text{TXEN}}[1]$      | P2_TD[0]              |
| TXDATA9                   | 26         | TXDATA9                           | $\overline{\text{TXEN}}[2]$      | P2_TD[1]              |
| TXDATA10                  | 27         | TXDATA10                          | see note 2                       | P2_TD[2]              |
| TXDATA11                  | 28         | TXDATA11                          | see note 2                       | P2_TD[3]              |
| TXDATA12                  | 29         | TXDATA12                          | see note 2                       | see note 2            |

4781 tbl 05

**TABLE 2 — SIGNAL ASSIGNMENT AS A FUNCTION OF PHY/ATM INTERFACE MODE (CONTINUED):**

| SIGNAL NAME              | PIN NUMBER | 16-BIT UTOPIA 2          | 8-BIT UTOPIA 1              | DPI        |
|--------------------------|------------|--------------------------|-----------------------------|------------|
| TXDATA13                 | 30         | TXDATA13                 | see note 2                  | see note 2 |
| TXDATA14                 | 31         | TXDATA14                 | see note 2                  | see note 2 |
| TXDATA15                 | 32         | TXDATA15                 | see note 2                  | see note 2 |
| TXPARITY                 | 33         | TXPARITY                 | TXPARITY                    | P2_TFRM    |
| $\overline{\text{TXEN}}$ | 34         | $\overline{\text{TXEN}}$ | $\overline{\text{TXEN}}[0]$ | P1_TFRM    |
| TXSOC                    | 35         | TXSOC                    | TXSOC                       | P0_TFRM    |
| TXADDR4                  | 36         | TXADDR4                  | see note 2                  | see note 2 |
| TXADDR3                  | 37         | TXADDR3                  | see note 2                  | see note 2 |
| VDD                      | 38         |                          |                             |            |
| TXADDR2                  | 39         | TXADDR2                  | see note 1                  | P2_TCLK    |
| TXADDR1                  | 40         | TXADDR1                  | TXCLAV[2]                   | P1_TCLK    |
| TXADDR0                  | 41         | TXADDR0                  | TXCLAV[1]                   | P0_TCLK    |
| TXCLAV                   | 42         | TXCLAV                   | TXCLAV[0]                   | see note 1 |
| TXCLK                    | 43         | TXCLK                    | TXCLK                       | DPICKL     |
| GND                      | 44         |                          |                             |            |
| VDD                      | 45         |                          |                             |            |
| RXCLK                    | 46         | RXCLK                    | RXCLK                       | see note 2 |
| $\overline{\text{RXEN}}$ | 47         | $\overline{\text{RXEN}}$ | $\overline{\text{RXEN}}[0]$ | see note 2 |
| RXADDR0                  | 48         | RXADDR0                  | $\overline{\text{RXEN}}[1]$ | P0_RCLK    |
| RXADDR1                  | 49         | RXADDR1                  | $\overline{\text{RXEN}}[2]$ | P1_RCLK    |
| GND                      | 50         |                          |                             |            |
| RXADDR2                  | 51         | RXADDR2                  | see note 2                  | P2_RCLK    |
| RXADDR3                  | 52         | RXADDR3                  | see note 2                  | see note 2 |
| RXADDR4                  | 53         | RXADDR4                  | see note 2                  | see note 2 |
| RXCLAV                   | 54         | RXCLAV                   | RXCLAV[0]                   | P1_RFRM    |
| RXSOC                    | 55         | RXSOC                    | RXSOC                       | P0_FRM     |
| GND                      | 56         |                          |                             |            |
| VDD                      | 57         |                          |                             |            |
| RXPARTY                  | 58         | RXPARTY                  | RXPARTY                     | P2_RFRM    |
| RXDATA15                 | 59         | RXDATA15                 | see note 1                  | see note 1 |
| RXDATA14                 | 60         | RXDATA14                 | see note 1                  | see note 1 |
| RXDATA13                 | 61         | RXDATA13                 | see note 1                  | see note 1 |
| RXDATA12                 | 62         | RXDATA12                 | see note 1                  | see note 1 |
| RXDATA11                 | 63         | RXDATA11                 | see note 1                  | P2_RD[3]   |
| RXDATA10                 | 64         | RXDATA10                 | RXCLAV[3]                   | P2_RD[2]   |
| RXDATA9                  | 65         | RXDATA9                  | RXCLAV[2]                   | P2_RD[1]   |
| RXDATA8                  | 66         | RXDATA8                  | RXCLAV[1]                   | P2_RD[0]   |
| GND                      | 67         |                          |                             |            |
| VDD                      | 68         |                          |                             |            |
| RXDATA7                  | 69         | RXDATA7                  | RXDATA7                     | P1_RD[3]   |
| RXDATA6                  | 70         | RXDATA6                  | RXDATA6                     | P1_RD[2]   |
| RXDATA5                  | 71         | RXDATA5                  | RXDATA5                     | P1_RD[1]   |
| RXDATA4                  | 72         | RXDATA4                  | RXDATA4                     | P1_RD[0]   |
| RXDATA3                  | 73         | RXDATA3                  | RXDATA3                     | P0_RD[3]   |
| RXDATA2                  | 74         | RXDATA2                  | RXDATA2                     | P0_RD[2]   |
| RXDATA1                  | 75         | RXDATA1                  | RXDATA1                     | P0_RD[1]   |

**TABLE 2 — SIGNAL ASSIGNMENT AS A FUNCTION OF PHY/ATM INTERFACE MODE (CONTINUED):**

| SIGNAL NAME             | PIN NUMBER | 16-BIT UTOPIA 2 | 8-BIT UTOPIA 1 | DPI      |
|-------------------------|------------|-----------------|----------------|----------|
| RXDATA0                 | 76         | RXDATA0         | RXDATA0        | P0_RD[0] |
| GND                     | 77         |                 |                |          |
| VDD                     | 78         |                 |                |          |
| RXLED0                  | 79         |                 |                |          |
| RXLED1                  | 80         |                 |                |          |
| RXLED2                  | 81         |                 |                |          |
| DNC                     | 82         |                 |                |          |
| GND                     | 83         |                 |                |          |
| VDD                     | 84         |                 |                |          |
| $\overline{\text{INT}}$ | 85         |                 |                |          |
| GND                     | 86         |                 |                |          |
| $\overline{\text{RST}}$ | 87         |                 |                |          |
| $\overline{\text{WR}}$  | 88         |                 |                |          |
| $\overline{\text{RD}}$  | 89         |                 |                |          |
| $\overline{\text{CS}}$  | 90         |                 |                |          |
| ALE                     | 91         |                 |                |          |
| VDD                     | 92         |                 |                |          |
| AD0                     | 93         |                 |                |          |
| AD0                     | 94         |                 |                |          |
| AD0                     | 95         |                 |                |          |
| AD0                     | 96         |                 |                |          |
| GND                     | 97         |                 |                |          |
| AD0                     | 98         |                 |                |          |
| AD0                     | 99         |                 |                |          |
| AD0                     | 100        |                 |                |          |
| AD0                     | 101        |                 |                |          |
| SE                      | 102        |                 |                |          |
| DA                      | 103        |                 |                |          |
| VDD                     | 104        |                 |                |          |
| DNC                     | 105        |                 |                |          |
| DNC                     | 106        |                 |                |          |
| GND                     | 107        |                 |                |          |
| VDD                     | 108        |                 |                |          |
| TX2-                    | 109        |                 |                |          |
| TX2+                    | 110        |                 |                |          |
| GND                     | 111        |                 |                |          |
| AGND                    | 112        |                 |                |          |
| AVDD                    | 113        |                 |                |          |
| MA                      | 114        |                 |                |          |
| MB                      | 115        |                 |                |          |
| AVDD                    | 116        |                 |                |          |
| AGND                    | 117        |                 |                |          |
| AGND                    | 118        |                 |                |          |
| AVDD                    | 119        |                 |                |          |
| RX2-                    | 120        |                 |                |          |
| RX2+                    | 121        |                 |                |          |

4781 tbl 07



**TABLE 2 — SIGNAL ASSIGNMENT AS A FUNCTION OF PHY/ATM INTERFACE MODE (CONTINUED):**

| SIGNAL NAME | PIN NUMBER | 16-BIT UTOPIA 2 | 8-BIT UTOPIA 1 | DPI |
|-------------|------------|-----------------|----------------|-----|
| AVDD        | 122        |                 |                |     |
| AGND        | 123        |                 |                |     |
| AGND        | 124        |                 |                |     |
| AVDD        | 125        |                 |                |     |
| OSC         | 126        |                 |                |     |
| AGND        | 127        |                 |                |     |
| AVDD        | 128        |                 |                |     |
| AGND        | 129        |                 |                |     |
| AGND        | 130        |                 |                |     |
| AVDD        | 131        |                 |                |     |
| RX1-        | 132        |                 |                |     |
| RX1+        | 133        |                 |                |     |
| AVDD        | 134        |                 |                |     |
| AGND        | 135        |                 |                |     |
| AGND        | 136        |                 |                |     |
| AVDD        | 137        |                 |                |     |
| RX0-        | 138        |                 |                |     |
| RX0+        | 139        |                 |                |     |
| AVDD        | 140        |                 |                |     |
| AGND        | 141        |                 |                |     |
| GND         | 142        |                 |                |     |
| TX1-        | 143        |                 |                |     |
| TX1+        | 144        |                 |                |     |

4781 tbl 08

**NOTES:**

1. This output signal is unused in this mode. It must be left unconnected.
2. This input signal is unused in this mode. It must be connected to either logic high or logic low.

## 77V1253 OVERVIEW:

The 77V1253 is a three-port implementation of the physical layer standard for 25.6Mbps ATM network communications as defined by ATM Forum document af-phy-040.000 and ITU-T I.432.5. The physical layer is divided into a Physical Media Dependent sub layer (PMD) and Transmission Convergence (TC) sub layer. The PMD sub layer includes the functions for the transmitter, receiver and clock recovery for operation across 100 meters of category 3 unshielded twisted pair (UTP) cable. This is referred to as the Line Side Interface. The TC sub layer defines the line coding, scrambling, data framing and synchronization.

On the other side, the 77V1253 interfaces to an ATM layer device (such as a switch core or SAR). This cell level interface is configurable as either 8-bit Utopia Level 1 Multi-PHY, 16-bit Utopia Level 2, or as three 4-bit DPI interfaces, as determined by two MODE pins. This is referred to as the PHY-ATM Interface. The pinout and front page block diagram are based on the Utopia 2 configuration. Table 2 shows the corresponding pin functions for the other two modes, and Figures 2 and 3 show functional block diagrams.

The 77V1253 is based on the 77105, and maintains significant register compatibility with it. The 77V1253, however, has additional register features, and also duplicates most of its registers to provide significant independence between the three ports.

Access to these status and control registers is through the utility bus. This is an 8-bit muxed address and data bus, controlled by a conventional asynchronous read/write handshake.

Additional pins permit insertion and extraction of an 8 kHz timing marker, and provide LED indication of receive and transmit status.

### OPERATION AT 51.2 Mbps

In addition to operation at the standard rate of 25.6 Mbps, the 77V1253 is also specified to operate at 51.2 Mbps. Except for the doubled bit rate, all other aspects of operation are identical to the 25.6 Mbps mode. The data rate is determined by the frequency of the clock applied to the OSC input. OSC is 32 MHz for the 25.6 Mbps line rate, and 64 MHz for the 51.2 Mbps line rate. All ports operate at the same frequency.

See page 30 for recommended line magnetics. Magnetics for 51.2 Mbps operation have a higher bandwidth than magnetics optimized for 25.6 Mbps.

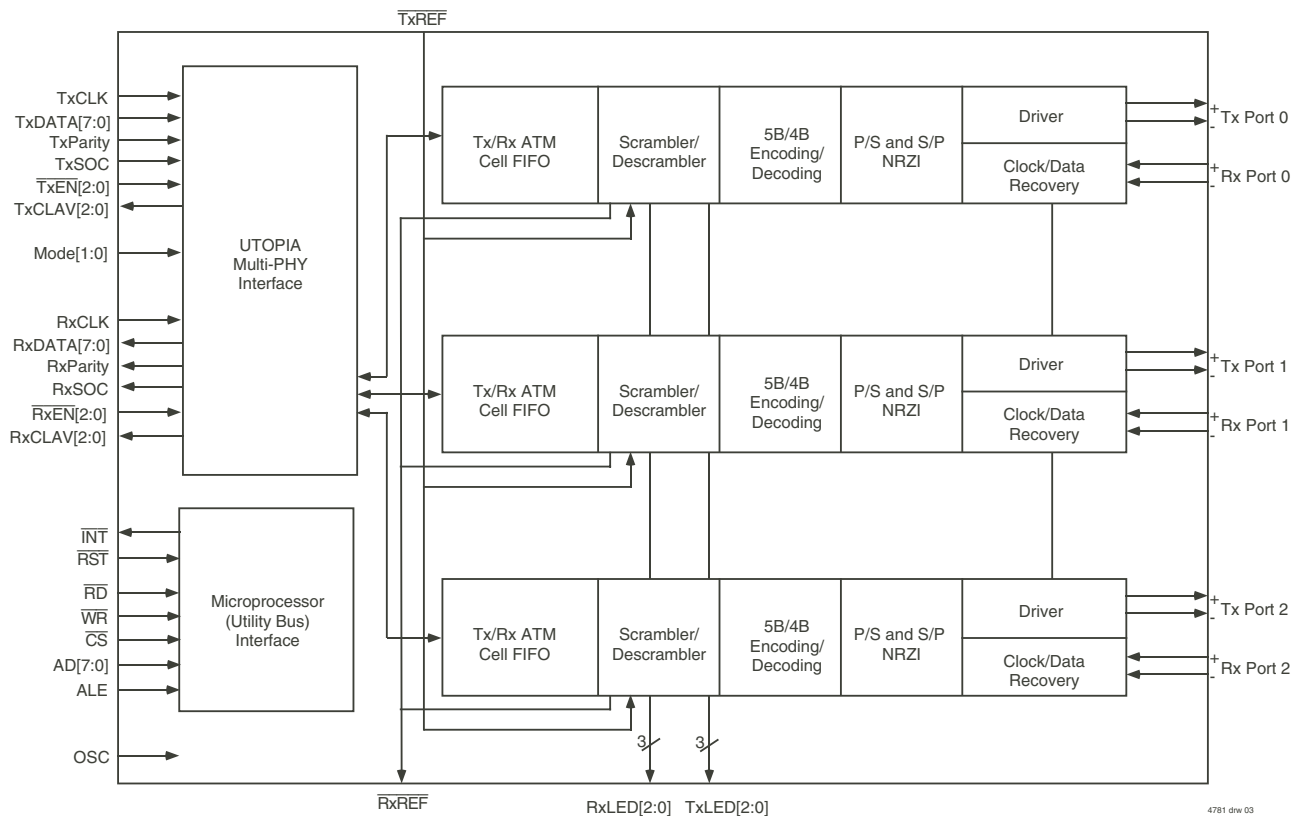


Figure 2. Block Diagram for Utopia Level 1 configuration (MODE[1:0] = 01)

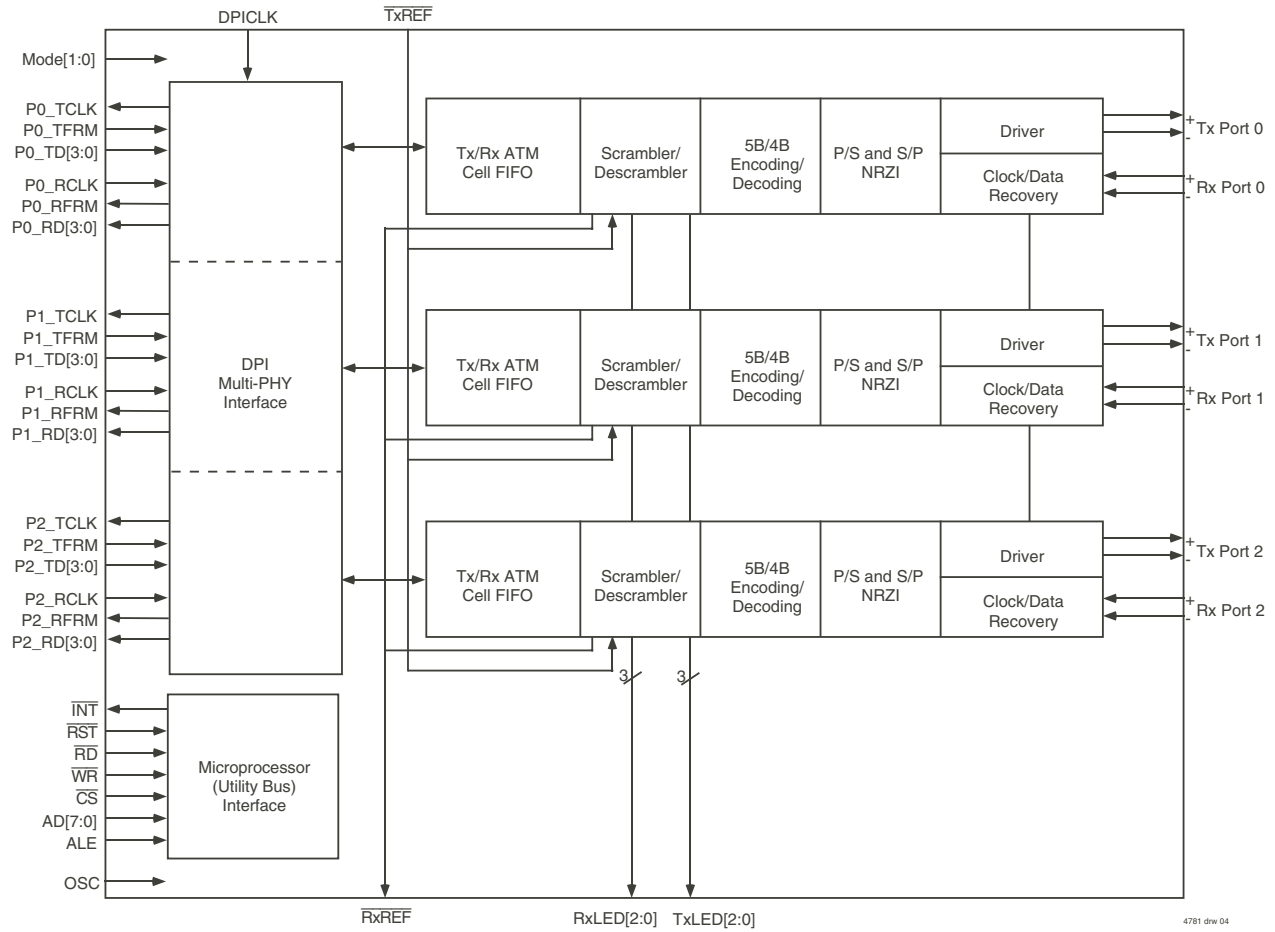


Figure 3. Block Diagram for DPI configuration (MODE[1:0] = 10)

## FUNCTIONAL DESCRIPTION

### TRANSMISSION CONVERGENCE (TC) SUB LAYER

#### Introduction

The TC sub layer defines the line coding, scrambling, data framing and synchronization. Under control of a switch interface or Segmentation and Reassembly (SAR) unit, the 25.6Mbps ATM PHY accepts a 53-byte ATM cell, scrambles the data, appends a command byte to the beginning of the cell, and encodes the entire 53 bytes before transmission. These data transformations ensure that the signal is evenly distributed across the frequency spectrum. In addition, the serialized bit stream is NRZI coded. An 8kHz timing sync pulse may be used for isochronous communications.

#### Data Structure and Framing

Each 53-byte ATM cell is preceded with a command byte. This byte is distinguished by an escape symbol followed by one of 17 encoded symbols. Together, this byte forms one of seventeen possible command bytes. Three command bytes are defined:

1. **X\_X** (read: 'escape' symbol followed by another 'escape'): Start-of-cell with scrambler/descrambler reset.

2. **X\_4** ('escape' followed by '4'): Start-of-cell without scrambler/descrambler reset.
3. **X\_8** ('escape' followed by '8'): 8kHz timing marker. This command byte is generated when the 8kHz sync pulse is detected, and has priority over all line activity (data or command bytes). It is transmitted immediately when the sync pulse is detected. When this occurs during a cell transmission, the data transfer is temporarily interrupted on an octet boundary, and the X\_8 command byte is inserted. This condition is the only allowed interrupt in an otherwise contiguous transfer.

Below is an illustration of the cell structure and command byte usage:

{X\_X} {53-byte ATM cell} {X\_4} {53-byte ATM} {X\_8} cell ...

In the above example, the first ATM cell is preceded by the X\_X start-of-cell command byte which resets both the transmitter-scrambler and receiver-descrambler pseudo-random nibble generators (PRNG) to their initial states. The following cell illustrates the insertion of a start-of-cell command without scrambler/descrambler reset. During this cell's transmission, an 8kHz timing sync pulse triggers insertion of the X\_8 8kHz timing marker command byte.

## FUNCTIONAL BLOCK DIAGRAM (CONTINUED):

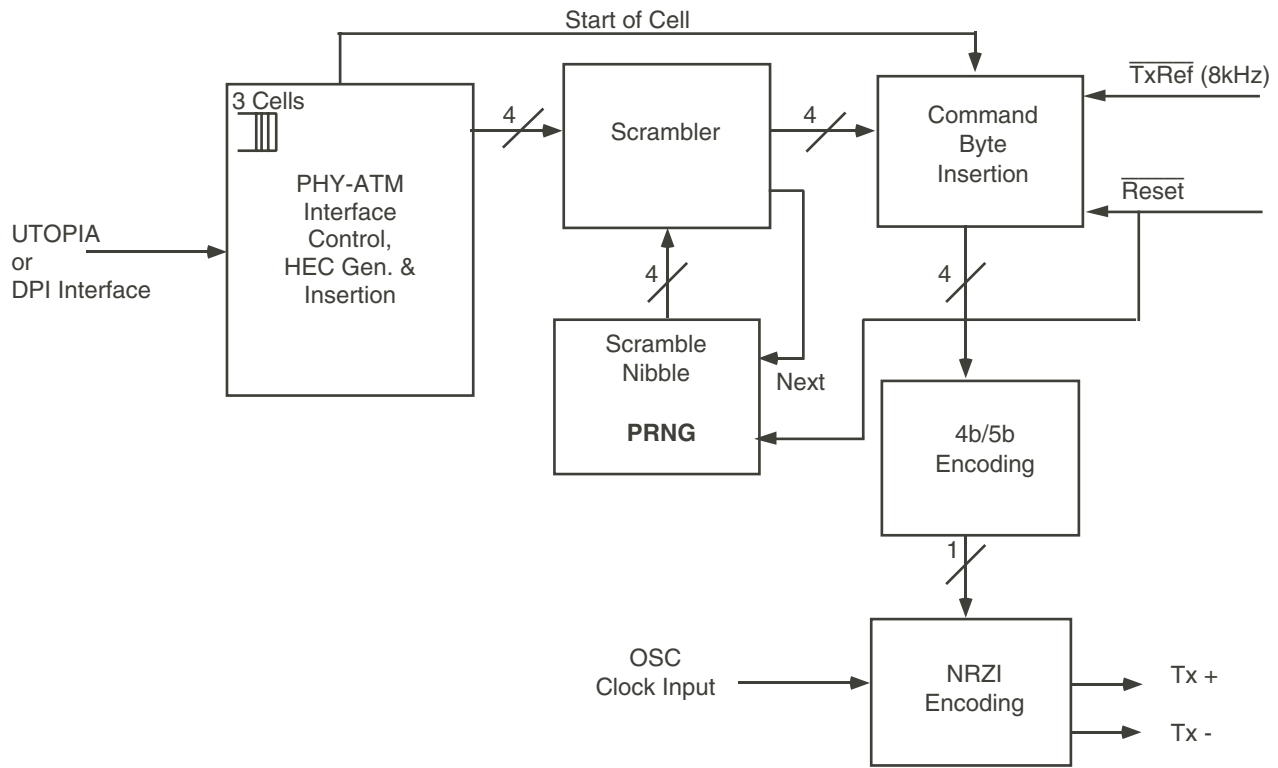


Figure 4. TC Transmit Block Diagram

**Transmission Description**

Refer to Figure 4 on the previous page. Cell transmission begins with the PHY-ATM Interface. An ATM layer device transfers a cell into the 77V1253 across the Utopia or DPI transmit bus. This cell enters a 3-cell deep transmit FIFO. Once a complete cell is in the FIFO, transmission begins by passing the cell, four bits (MSB first) at a time to the 'Scrambler'.

The 'Scrambler' takes each nibble of data and exclusive-ORs them against the 4 high order bits (X(t), X(t-1), X(t-2), X(t-3)) of a 10 bit pseudo-random nibble generator (PRNG). Its function is to provide the appropriate frequency distribution for the signal across the line.

The PRNG is clocked every time a nibble is processed, regardless of whether the processed nibble is part of a data or command byte. Note however that only data nibbles are scrambled. The entire command byte (X\_C) is NOT scrambled before it's encoded (see diagram for illustration). The PRNG is based upon the following polynomial:

$$X^{10} + X^7 + 1$$

With this polynomial, the four output data bits (D3, D2, D1, D0) will be generated from the following equations:

$$\begin{aligned} D3 &= d3 \text{ xor } X(t-3) \\ D2 &= d2 \text{ xor } X(t-2) \\ D1 &= d1 \text{ xor } X(t-1) \\ D0 &= d0 \text{ xor } X(t) \end{aligned}$$

The following nibble is scrambled with X(t+4), X(t+3), X(t+2), and X(t+1).

A scrambler lock between the transmitter and receiver occurs each time an X\_X command is sent. An X\_X command is initiated only at the beginning of a cell transfer after the PRNG has cycled through all of its states ( $2^{10} - 1 = 1023$  states). The first valid ATM data cell transmitted after power on will also be accompanied with an X\_X command byte. Each time an X\_X command byte is sent, the first nibble after the last escape (X) nibble is XOR'd with 1111b (PRNG = 3FFx).

Because a timing marker command (X\_8) may occur at any time, the possibility of a reset PRNG start-of-cell command and a timing marker command occurring consecutively does exist (e.g. X\_X\_X\_8). In this case, the detection of the last two consecutive escape (X) nibbles will cause the PRNG to reset to its initial 3FFx state. Therefore, the PRNG is clocked only after the first nibble of the second consecutive escape pair.

Once the data nibbles have been scrambled using the PRNG, the nibbles are further encoded using a 4b/5b process. The 4b/5b scheme ensures that an appropriate number of signal transitions occur on the line. A total of seventeen 5-bit symbols are used to represent the sixteen 4-bit data nibbles and the one escape (X) nibble. The table below lists the 4-bit data with their corresponding 5-bit symbols:

| Data | Symbol | Data | Symbol |
|------|--------|------|--------|
| 0000 | 10101  | 0001 | 01001  |
| 0100 | 00111  | 0101 | 01101  |
| 1000 | 10010  | 1001 | 11001  |
| 1100 | 10111  | 1101 | 11101  |
| 0010 | 01010  | 0011 | 01011  |
| 0110 | 01110  | 0111 | 01111  |
| 1010 | 11010  | 1011 | 11011  |
| 1110 | 11110  | 1111 | 11111  |

ESC(X) = 00010

4781 drw 05a

This encode/decode implementation has several very desirable properties. Among them is the fact that the output data bits can be represented by a set of relatively simple symbols;

- Run length is limited to  $\leq 5$ ;
- Disparity never exceeds  $\pm 1$ .

On the receiver, the decoder determines from the received symbols whether a timing marker command (X\_8) or a start-of-cell command was sent (X\_X or X\_4). If a start-of-cell command is detected, the next 53 bytes received are decoded and forwarded to the descrambler. (See TC Receive Block Diagram, Figure 4).

The output of the 4b/5b encoder provides serial data to the NRZI encoder. The NRZI code transitions the wire voltage each time a '1' bit is sent. This, together with the previous encoding schemes guarantees that long run lengths of either '0' or '1's are prevented. Each symbol is shifted out with its most significant bit sent first.

When no cells are available to transmit, the 77V1253 keeps the line active by continuing to transmit valid symbols. But it does not transmit another start-of-cell command until it has another cell for transmission. The 77V1253 never generates idle cells.

**Transmit HEC Byte Calculation/Insertion**

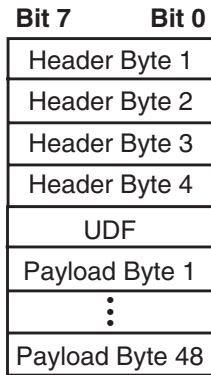
Byte #5 of each ATM cell, the HEC (Header Error Control) is calculated automatically across the first 4 bytes of the cell header, depending upon the setting of bit 5 of registers 0x03, 0x13 and 0x23. This byte is then either inserted as a replacement of the fifth byte transferred to the PHY by the external system, or the cell is transmitted as received. A third operating mode provides for insertion of "Bad" HEC codes which may aid in communication diagnostics. These modes are controlled by the LED Driver and HEC Status/Control Registers.

**Receiver Description**

The receiver side of the TC sublayer operates like the transmitter, but in reverse. The data is NRZI decoded before each symbol is reassembled. The symbols are then sent to the 5b/4b decoder, followed by the Command Byte Interpreter, De-Scrambler, and finally through a FIFO to the UTOPIA or DPI interface to an ATM Layer device.

Note that although the IDT77V1253 can detect symbol and HEC errors, it does not attempt to correct them.

**ATM CELL FORMAT**



4781 drw 52

UDF = User Defined Field (or HEC)

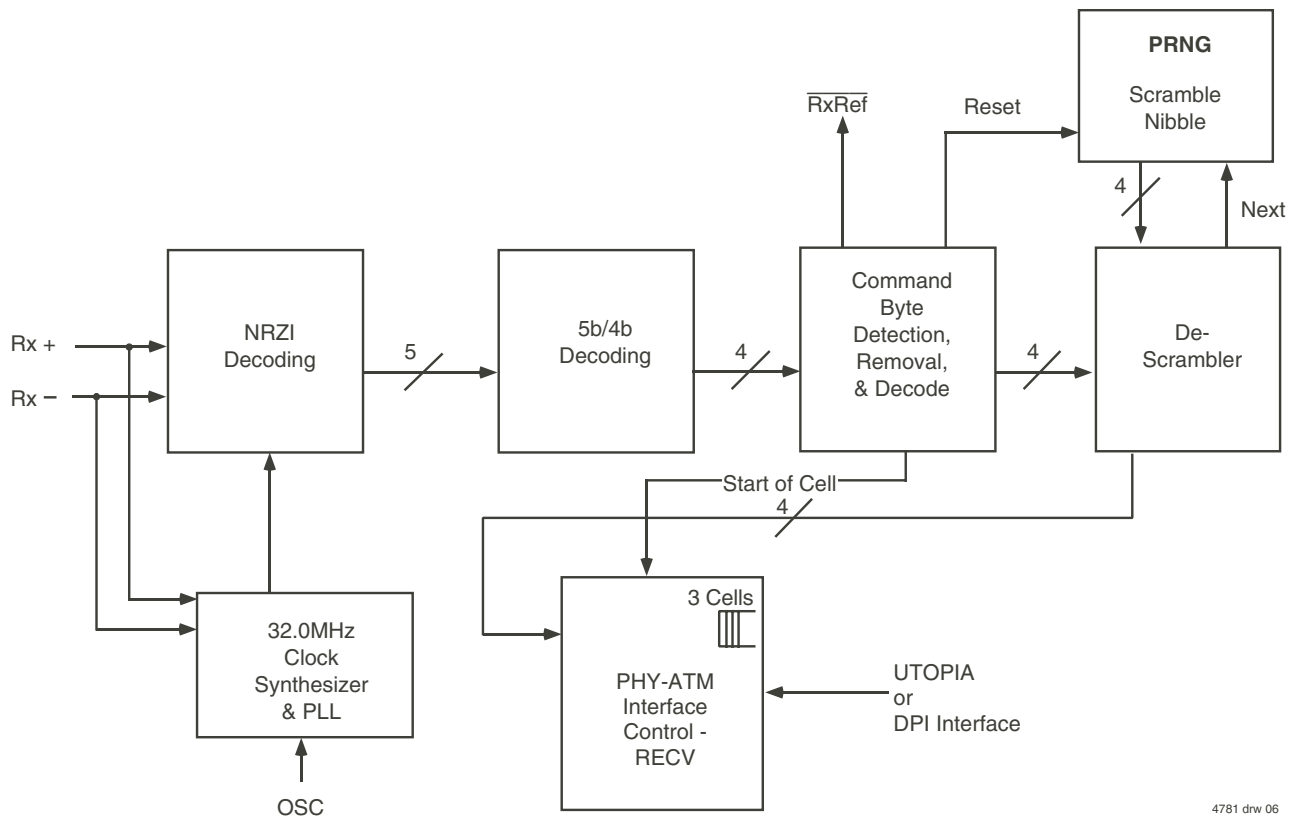
Upon reset or the re-connect, each port's receiver is typically not symbol-synchronized. When not symbol-synchronized, the receiver will indicate a significant number of bad symbols, and will deassert the Good Signal Bit as described below. Synchronization is established immediately once that port receives an Escape symbol, usually as part of the start-of-cell command byte preceding the first received cell.

The IDT77V1253 monitors line conditions and can provide an interrupt if the line is deemed 'bad'. The Interrupt Status Registers (registers 0x01, 0x11 and 0x21) contain a Good Signal Bit (bit 6, set to 0 = Bad signal initially) which shows the status of the line per the following algorithm:

**To declare 'Good Signal' (from "Bad" to "Good"):**

There is an up-down counter that counts from 7 to 0 and is initially set to 7. When the clock ticks for 1,024 cycles (32MHz clock, 1,024 cycles = 204.8 symbols) and no "bad symbol" has been received, the counter decreases by one. However, if at least one "bad symbol" is detected during these 1,024 clocks, the counter is increased by one, to a maximum of 7. The Good Signal Bit is set to 1 when this counter reaches 0. The Good Signal Bit could be set to 1 as quickly as 1,433 symbols (204.8 x 7) if no bad symbols have been received.

**FUNCTIONAL BLOCK DIAGRAM (CONTINUED):**



4781 drw 06

Figure 5. TC Receive Block Diagram

**To declare 'Bad Signal' (from "Good" to "Bad"):**

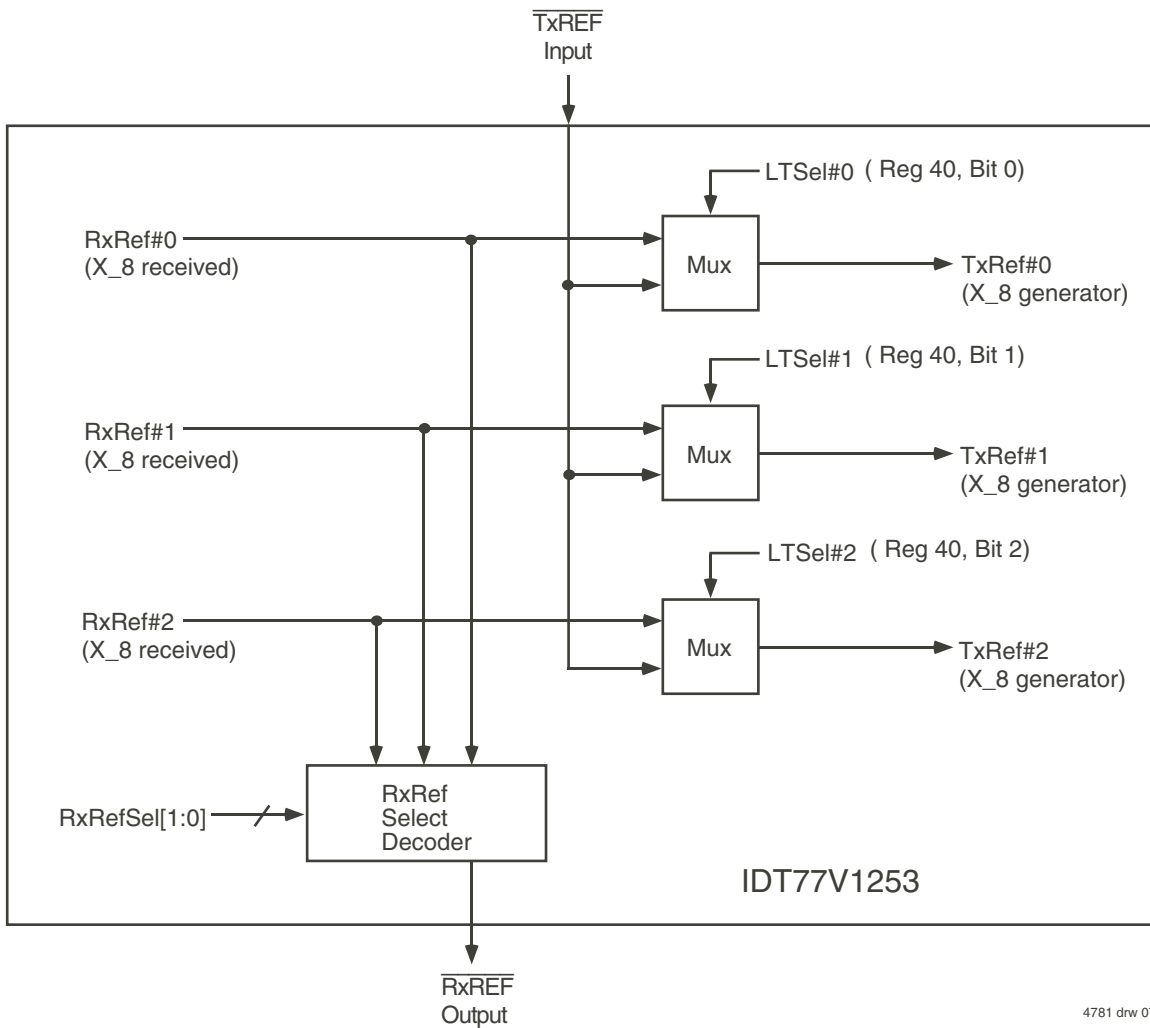
The same up-down counter counts from 0 to 7 (being at 0 to provide a "Good" status). When the clock ticks for 1,024 cycles (32MHz clock, 1,024 cycles = 204.8 symbols) and there is at least one "bad symbol", the counter increases by one. If it detects all "good symbols" and no "bad symbols" in the next time period, the counter decreases by one. The "Bad Signal" is declared when the counter reaches 7. The Good Signal Bit could be set to 0 as quickly as 1,433 symbols (204.8 x 7) if at least one "bad symbol" is detected in each of seven consecutive groups of 204.8 symbols.

**8kHz Timing Marker**

The 8kHz timing marker, described earlier, is a completely optional feature which is essential for some applications requiring synchronization for voice or video, and unnecessary for other applications. Figure 6 shows the options available for generating and receiving the 8kHz timing marker.

The source of the marker is programmable in the  $\overline{RXREF}$  and  $\overline{TXREF}$  Control Register (0x40). Each port is individually programmable to either a local source or a looped remote source. The local source is  $\overline{TXREF}$ , which is an 8kHz clock of virtually any duty cycle. When unused,  $\overline{TXREF}$  should be tied high. Also note that it is not limited to 8kHz, should a different frequency be desired. When looped, a received X\_8 command byte causes one to be generated on the transmit side.

A received X\_8 command byte causes the 77V1253 to issue a negative pulse on  $\overline{RXREF}$ . The source channel of the marker is programmable.



4781 drw 07

Figure 6.  $\overline{RXREF}$  and  $\overline{TXREF}$  Block Diagram

## PHY-ATM Interface

The 77V1253 PHY offers three choices in interfacing to ATM layer devices such as segmentation and reassembly (SAR) and switching chips. MODE[1:0] are used to select the configuration of this interface, as shown in the table below.

| MODE[1:0] | PHY-ATM Interface Configuration             |
|-----------|---|
| 00        | one 16-bit UTOPIA Level 2 port              |
| 01        | one 8-bit UTOPIA Level 1 (Multi-PHY) port   |
| 10        | three 4-bit Data Path Interface (DPI) ports |

4781 tbl 09

UTOPIA is a Physical Layer to ATM Layer interface standardized by the ATM Forum. It has separate transmit and receive channels and specific handshaking protocols. UTOPIA Level 2 has dedicated address signals for both the transmit and receive directions that allow the ATM layer device to specify with which of the four PHY channels it is communicating. UTOPIA Level 1 does not have address signals. Instead, key handshaking signals are duplicated so that each channel has its own signals. In both versions of UTOPIA, all channels share a single transmit data bus and a single receive data bus for data transfer.

DPI is a low-pin count Physical Layer to ATM Layer interface. The low-pin count characteristic allows the 77V1253 to incorporate three separate DPI 4-bit ports, one for each of the three serial ports. As with the UTOPIA interfaces, the transmit and receive directions have their own data paths and handshaking.

### UTOPIA LEVEL 2 INTERFACE OPTION

The 16-bit Utopia Level 2 interface operates as defined in ATM Forum document af-phy-0039. This PHY-ATM interface is selected by setting the MODE[1:0] pins both low.

This mode is configured as a single 16-bit data bus in the transmit (ATM-to-PHY) direction, and a single 16-bit data bus in the receive (PHY-to-ATM) direction. In addition to the data bus, each direction also includes a single optional parity bit, an address bus, and several handshaking signals. The UTOPIA address of each channel is determined by bits 4 to 0 in the Enhanced Control Registers. Please note that the transmit bus and the receive bus operate completely independently. The Utopia 2 signals are summarized below:

|                          |            |
|--------------------------|------------|
| TXDATA[15:0]             | ATM to PHY |
| TXPARITY                 | ATM to PHY |
| TXSOC                    | ATM to PHY |
| TXADDR[4:0]              | ATM to PHY |
| $\overline{\text{TXEN}}$ | ATM to PHY |
| TXCLAV                   | PHY to ATM |
| TXCLK                    | ATM to PHY |
|                          |            |
| RXDATA[15:0]             | PHY to ATM |
| RXPARITY                 | PHY to ATM |
| RXSOC                    | PHY to ATM |
| RXADDR[4:0]              | ATM to PHY |
| $\overline{\text{RXEN}}$ | ATM to PHY |
| RXCLAV                   | PHY to ATM |
| RXCLK                    | ATM to PHY |

The ATM device starts by polling the PHY ports on the Utopia 2 bus to determine if any of them has room to accept a cell for transmission (TXCLAV), or has a receive cell available to pass on to the ATM device (RXCLAV). To poll, the ATM device drives an address (TXADDR or RXADDR) then observes TXCLAV or RXCLAV on the next cycle of TXCLK or RXCLK. A port must tri-state TXCLAV and RXCLAV except when it is addressed.

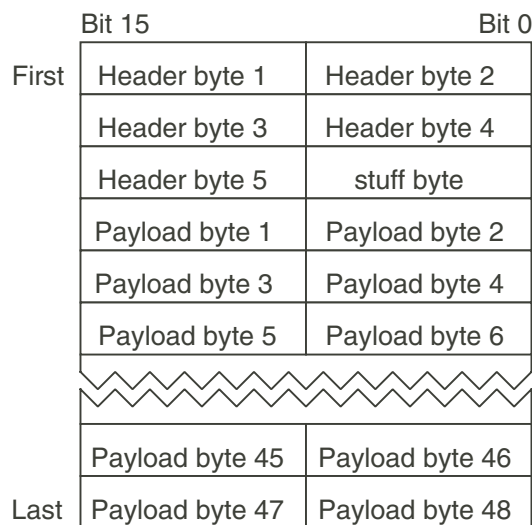
If TXCLAV or RXCLAV is asserted, the ATM device may select that port, then transfer a cell to or from it. Selection of a port is performed by driving the address of the desired port while  $\overline{\text{TXEN}}$  or  $\overline{\text{RXEN}}$  is high, then driving  $\overline{\text{TXEN}}$  or  $\overline{\text{RXEN}}$  low. When  $\overline{\text{TXEN}}$  is driven low, TXSOC (start of cell) is driven high to indicate that the first 16 bits of the cell are being driven on TXDATA. The ATM device may choose to temporarily suspend transfer of the cell by deasserting  $\overline{\text{TXEN}}$ . Otherwise,  $\overline{\text{TXEN}}$  remains asserted as the next 16 bits are driven onto TXDATA with each cycle of TXCLK.

In the receive direction, the ATM device selects a port if it wished to receive the cell that the port is holding. It does this by asserting  $\overline{\text{RXEN}}$ . The PHY then transfers the data 16 bits each clock cycle, as determined by  $\overline{\text{RXEN}}$ . As in the transmit direction, the ATM device may suspend transfer by deasserting  $\overline{\text{RXEN}}$  at any time. Note that the PHY asserts RXSOC coincident with the first 16 bits of each cell.

TXPARITY and RXPARITY are parity bits for the corresponding 16-bit data fields. Odd parity is used.

Figures 8 through 13 may be referenced for Utopia 2 bus examples.

Because this interface transfers an even number of bytes, rather than the ATM standard of 53 bytes, a filler byte is inserted between the 5-byte header and the 48-byte payload. This is shown in Figure 7.



4781 drw 08

Figure 7. Utopia Level 2 Data Format and Sequence



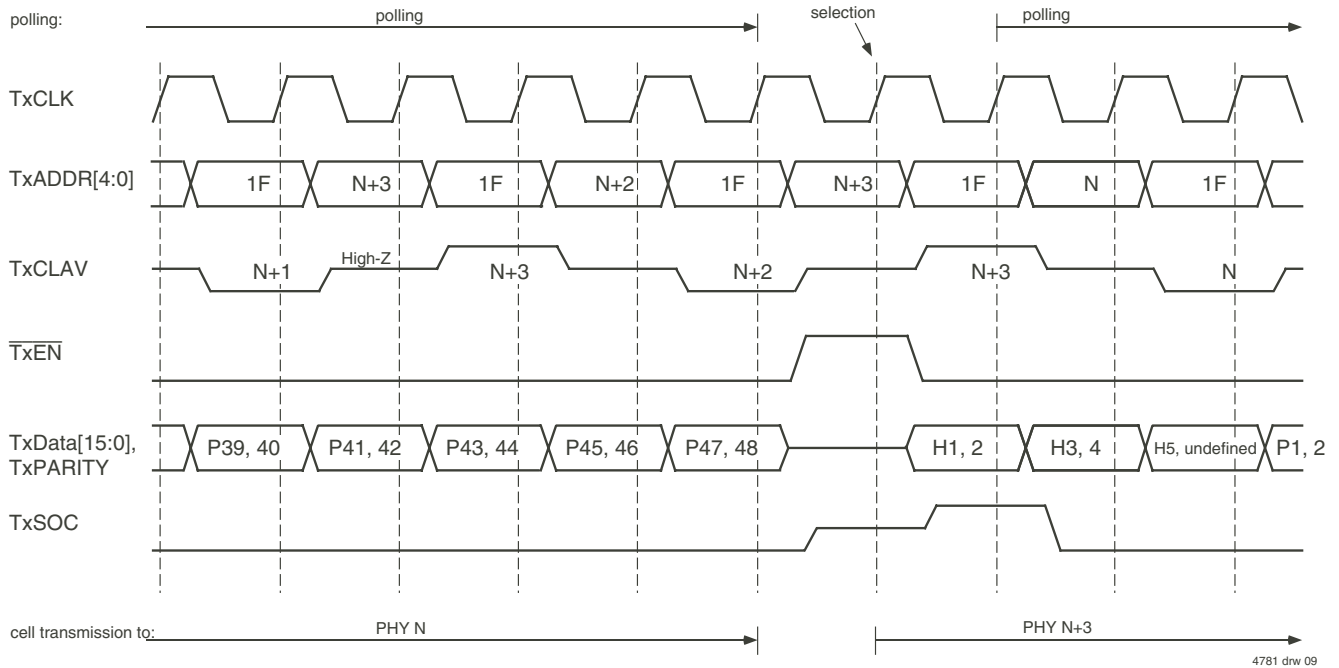


Figure 8. Utopia 2 Transmit Handshake - Back to Back Cells

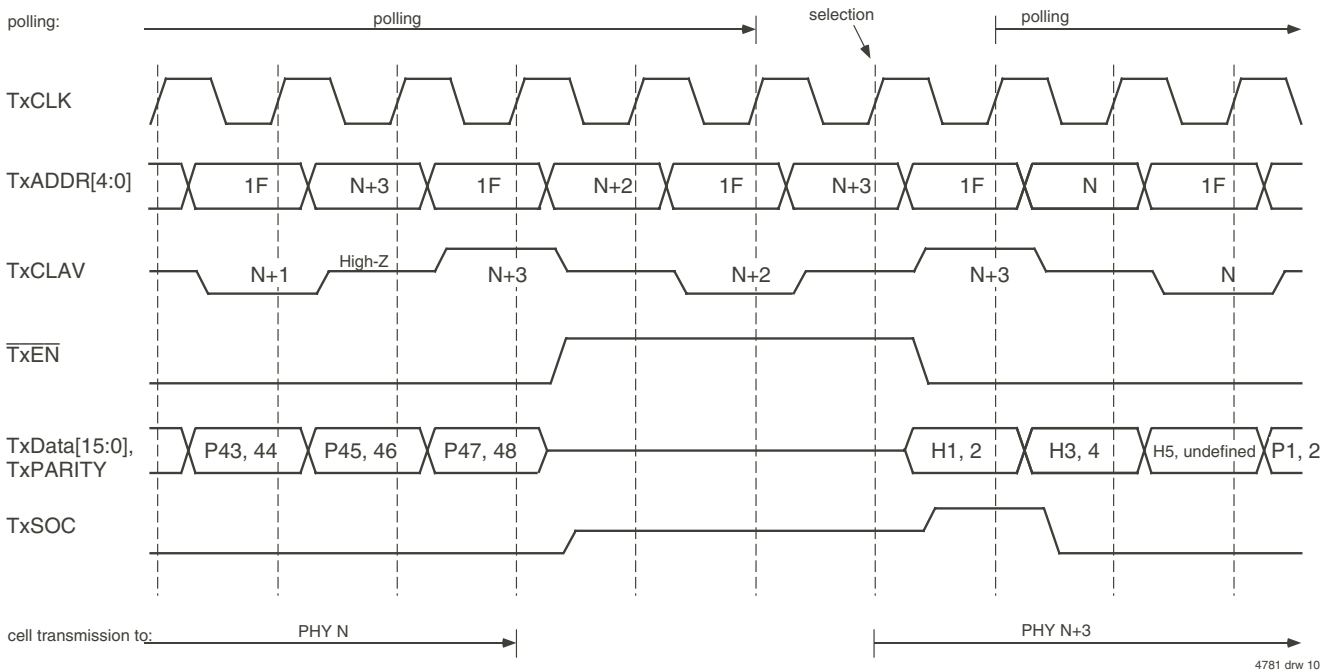


Figure 9. Utopia 2 Transmit Handshake - Delay Between Cells

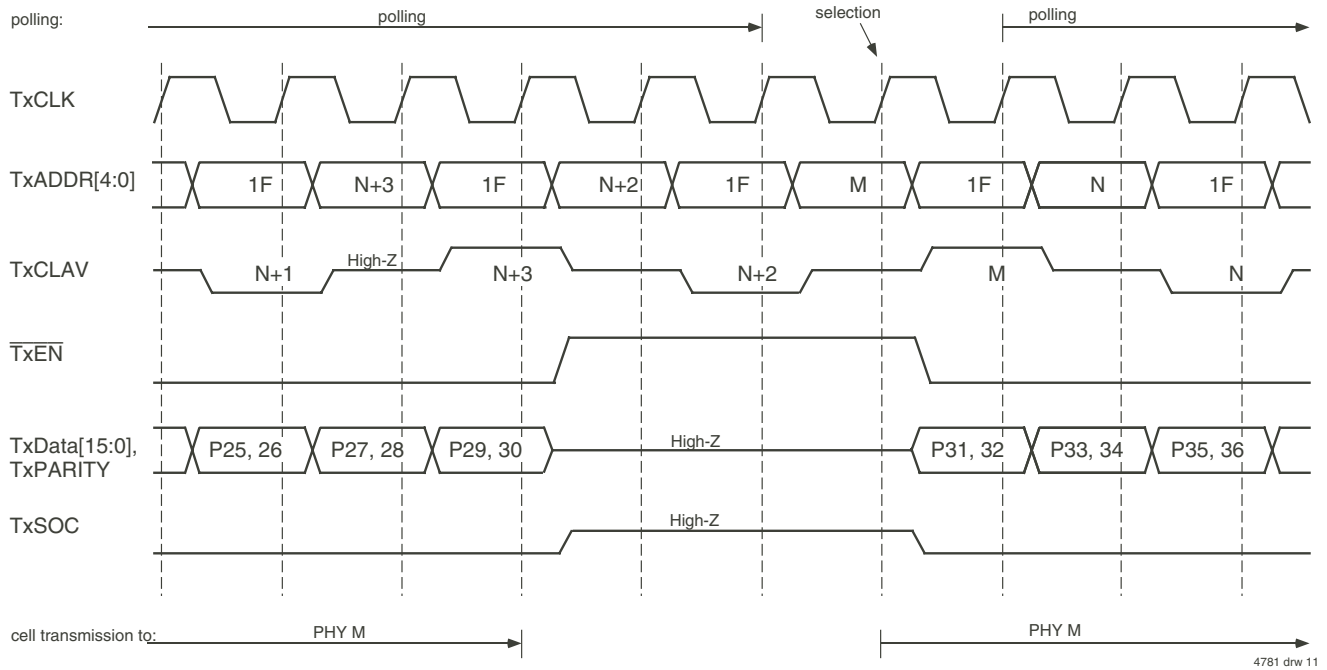


Figure 10. Utopia 2 Transmit Handshake - Transmission Suspended

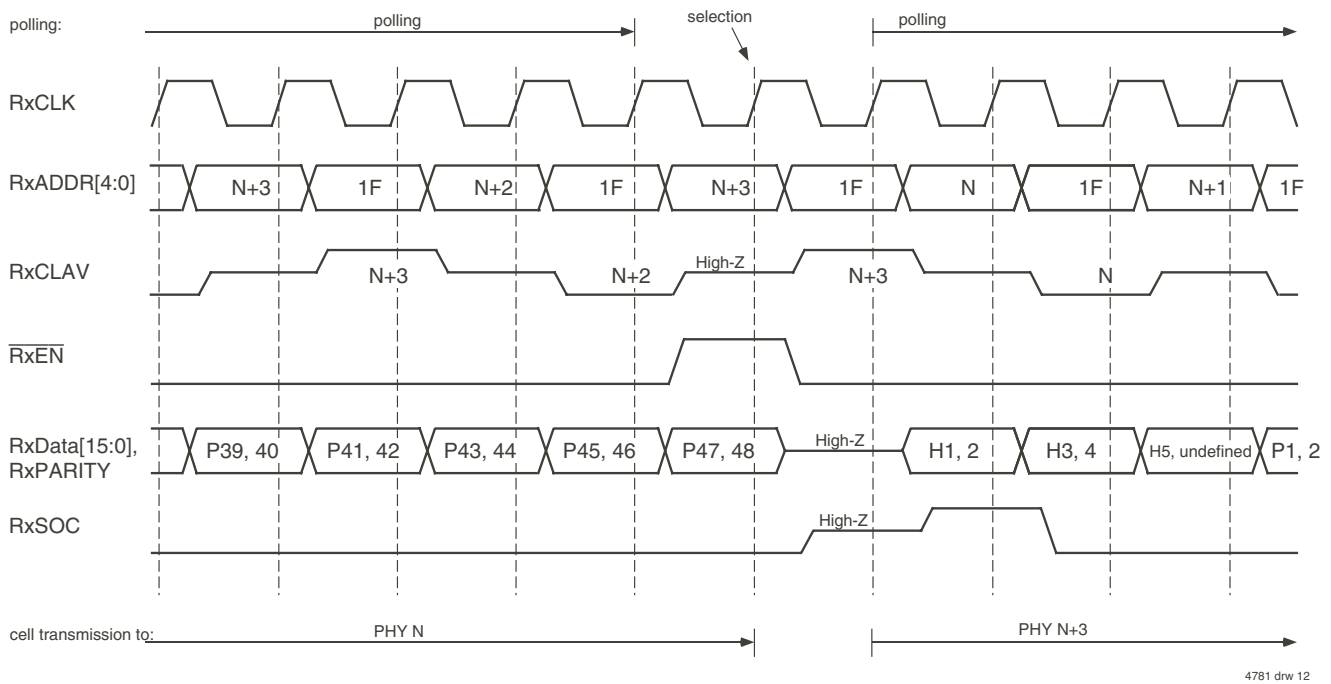


Figure 11. Utopia 2 Receive Handshake - Back to Back Cells

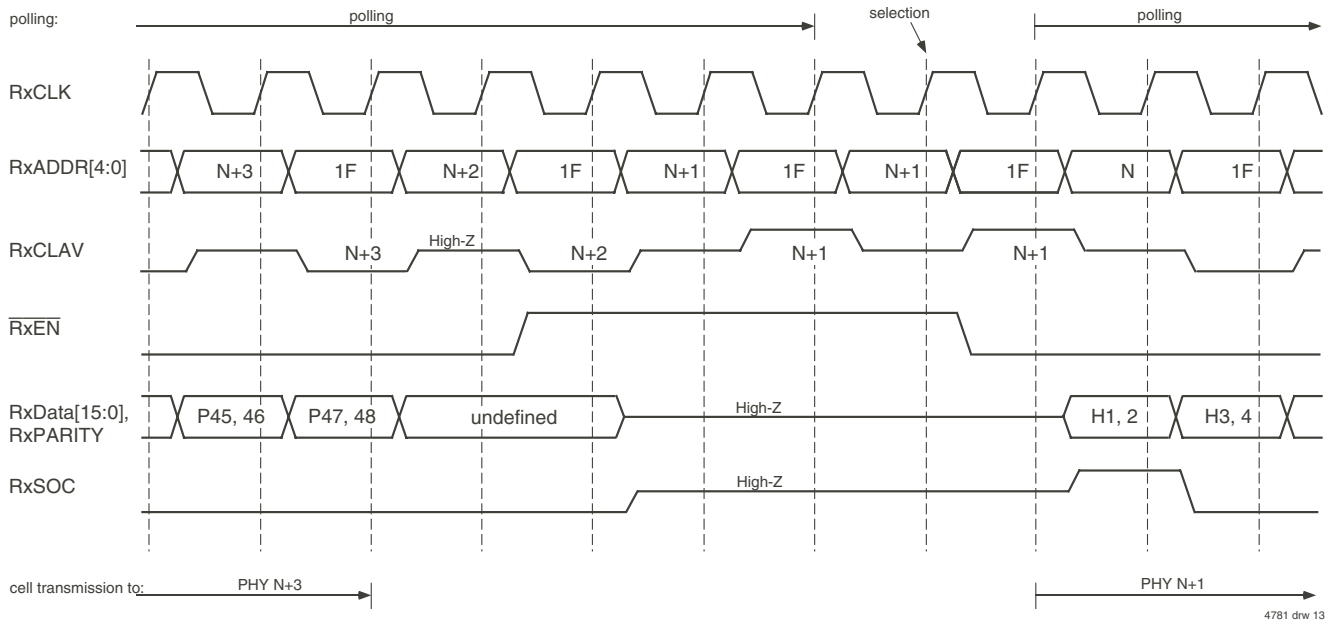


Figure 12. Utopia 2 Receive Handshake - Delay Between Cells

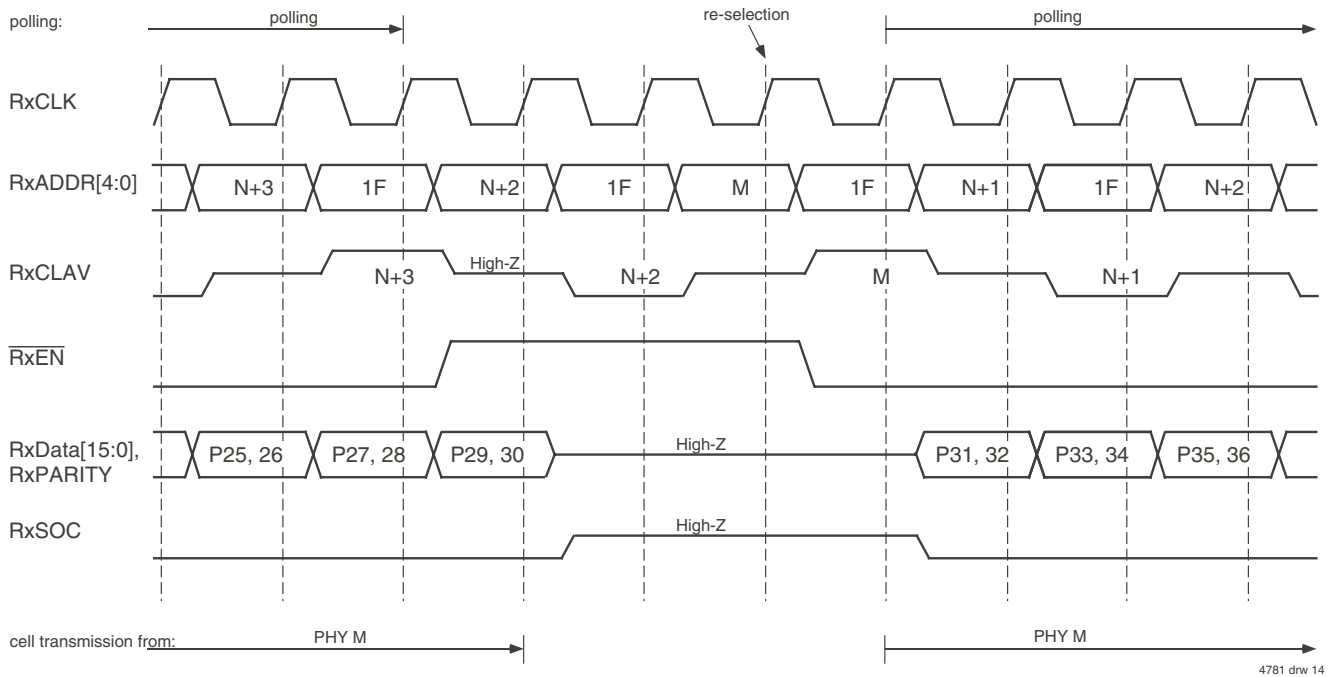


Figure 13. Utopia 2 Receive Handshake - Suspended Transfer of Data

**UTOPIA LEVEL 1 MULTI-PHY INTERFACE OPTION**

The UTOPIA Level 1 MULTI-PHY interface operates as defined in ATM Forum document af-phy-0017 and clarified in af-phy-0039. Utopia Level 1 is essentially the same as Utopia Level 2, but without the addressing, polling and selection features. Instead of addressing, it utilizes separate TxCLAV, TxEN, RxCLAV and RxEN signals for each channel of the 77V1254. There are just one each of the TxSOC and RxSOC signals, which are shared across all three channels.

In addition to Utopia Level 2's cell mode transfer protocol, Utopia Level 1 also offers the option of a byte mode protocol. Bit 1 of the Master Control Registers is used to program whether the UTOPIA Level 1 bus is in cell mode or byte mode. In byte mode, the PHY is allowed to control data transfer on a byte-by-byte basis via the TXCLAV and RXCLAV signals. In cell mode, TXCLAV and RXCLAV are ignored once the transfer of a cell has begun. In every other way the two modes are identical. Cell mode is the default configuration and is the one described later.

The Utopia 1 signals are summarized below:

|             |            |
|-------------|------------|
| TXDATA[7:0] | ATM to PHY |
| TXPARITY    | ATM to PHY |
| TXSOC       | ATM to PHY |
| TxEN[2:0]   | ATM to PHY |
| TXCLAV[2:0] | PHY to ATM |
| TXCLK       | ATM to PHY |
|             |            |
| RXDATA[7:0] | PHY to ATM |
| RXPARTY     | PHY to ATM |
| RXSOC       | PHY to ATM |
| RxEN[2:0]   | ATM to PHY |
| RXCLAV[2:0] | PHY to ATM |
| RXCLK       | ATM to PHY |

Transmit and receive both utilize free running clocks, which are inputs to the 77V1253. All Utopia signals are timed to these clocks.

In the transmit direction, the PHY first asserts TXCLAV (transmit cell available) to indicate that it has room in its transmit FIFO to accept at least one 53-byte ATM cell. When the ATM layer device is ready to begin passing the cell, it asserts TxEN (transmit enable) and TxSOC (start of cell), coincident with the first byte of the cell on TXDATA. TxEN remains asserted for the duration

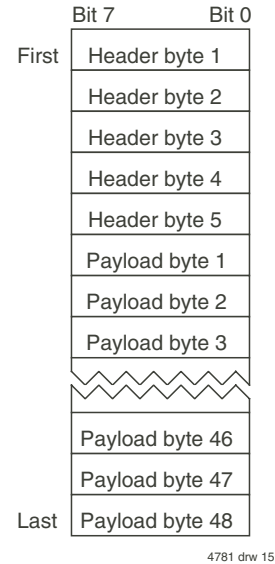


Figure 14. Utopia 1 Data Format and Sequence

of the cell transfer, but the ATM device may deassert TxEN at any time once the cell transfer has begun, but data is transferred only when TxEN is asserted.

In the receive direction, RxEN indicates when the ATM device is prepared to receive data. As with transmit, it may be asserted or deasserted at any time. The PHY asserts RXCLAV to indicate that it has an entire cell to transfer.

In both transmit and receive, TxSOC and RxSOC (start of cell) is asserted for one clock, coincident with the first byte of each cell. Odd parity is utilized across each 8-bit data field.

Figure 14 shows the data sequence for an ATM cell over Utopia Level 1, and Figures 15 to 21 are examples of the Utopia Level 1 handshake.

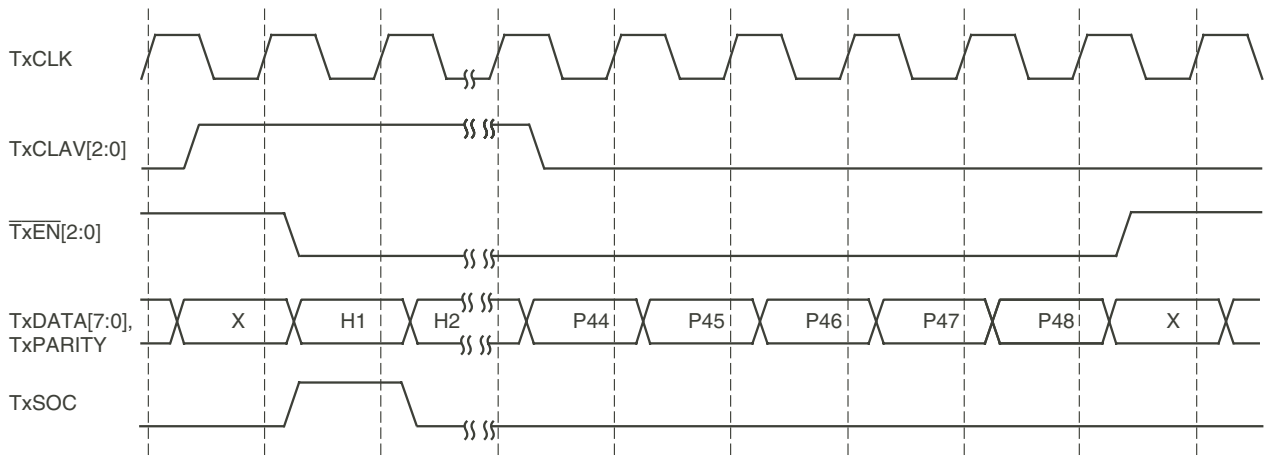
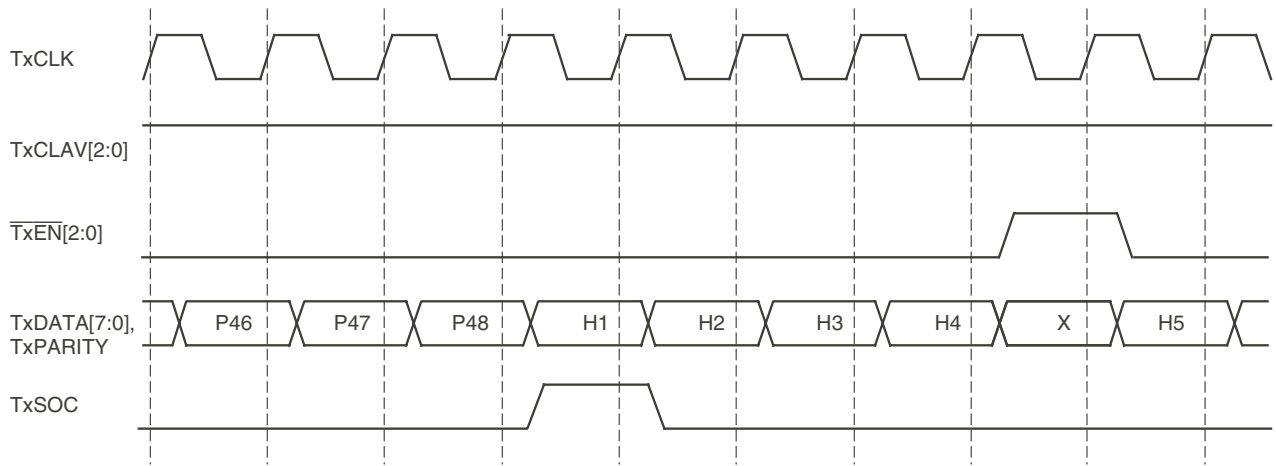
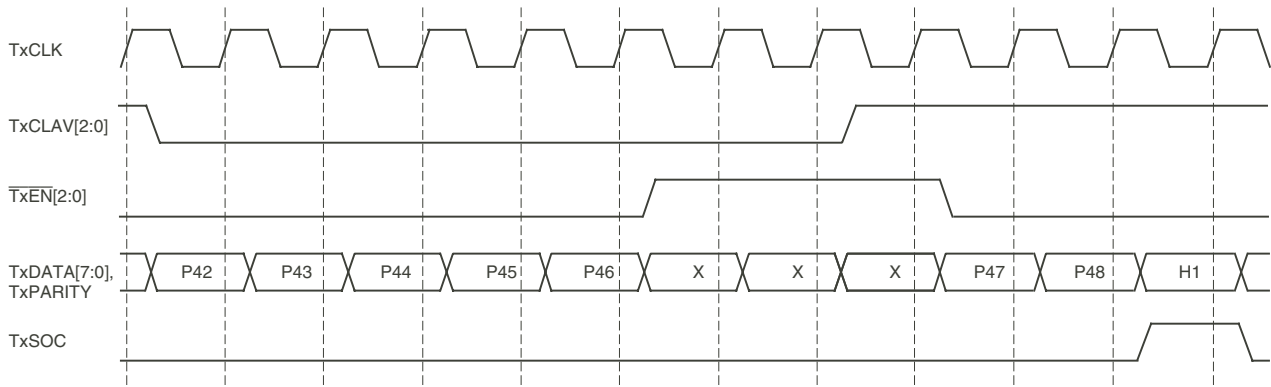


Figure 15. Utopia 1 Transmit Handshake - Single Cell



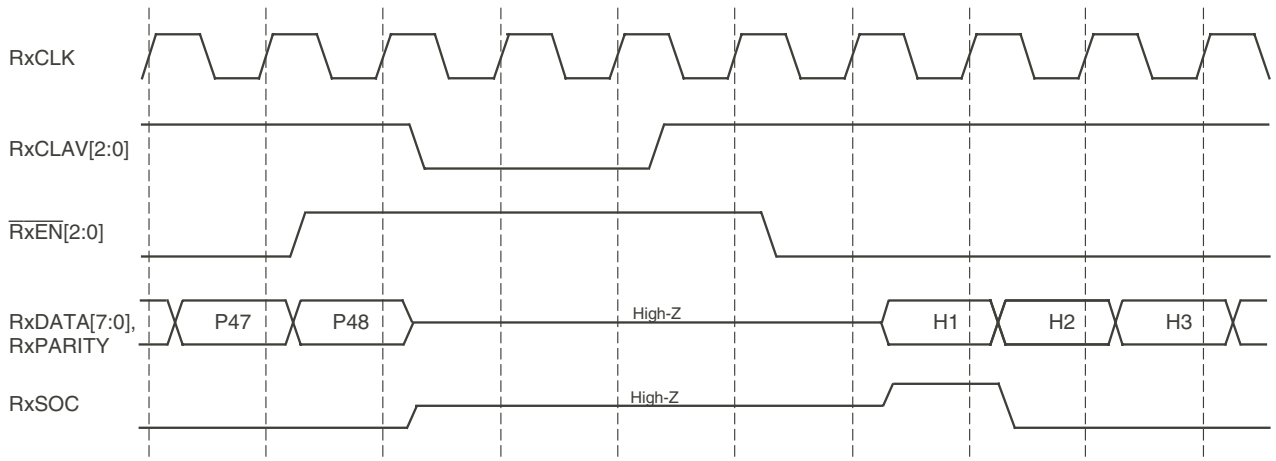
4781 drw 17

Figure 16. Utopia 1 Transmit Handshake - Back-to-Back Cells, and  $\overline{\text{TxEN}}$  Suspended Transmission



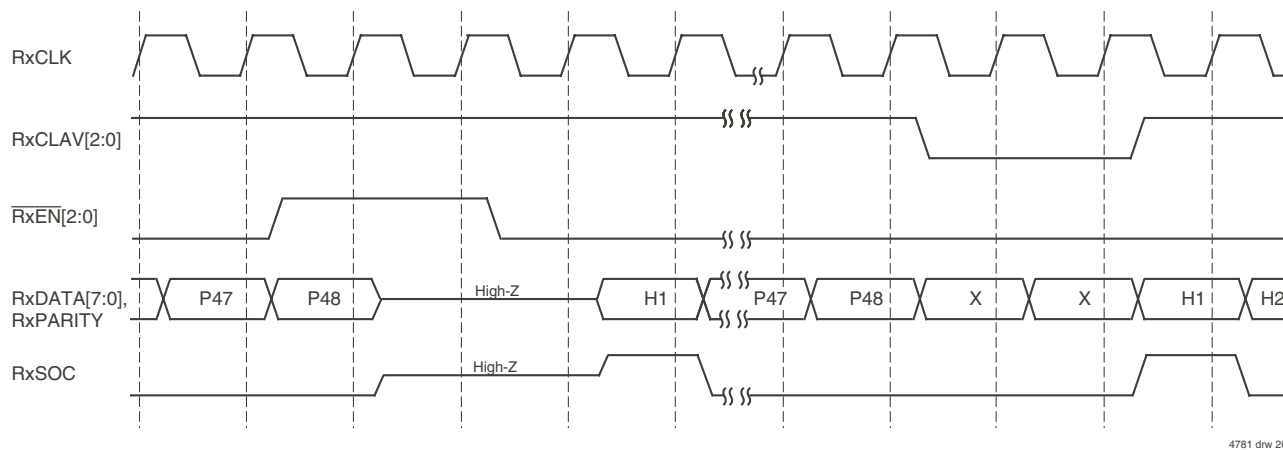
4781 drw 18

Figure 17. Utopia 1 Transmit Handshake -  $\overline{\text{TxEN}}$  Suspended Transmission and Back-to-Back Cells (Byte Mode Only)



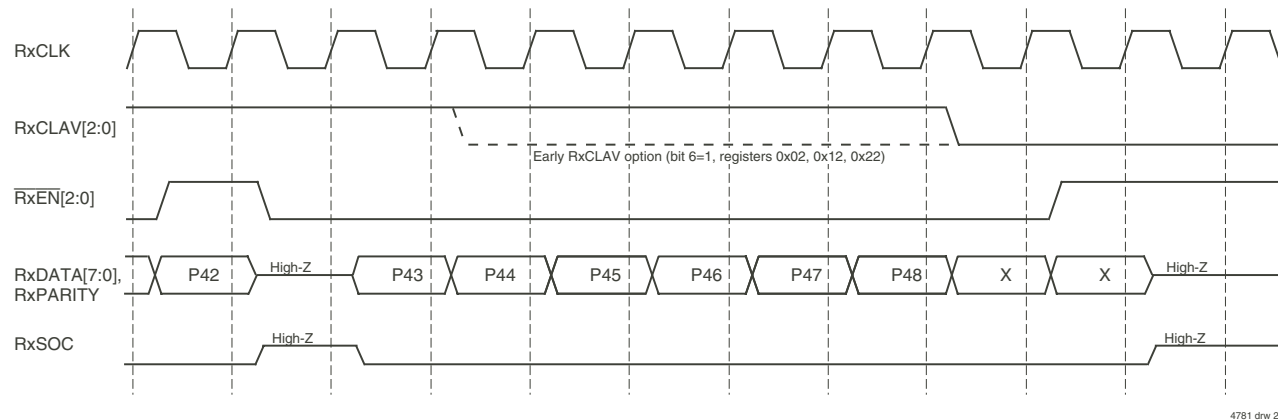
4781 drw 19

Figure 18. Utopia 1 Receive Handshake - Delay Between Cells



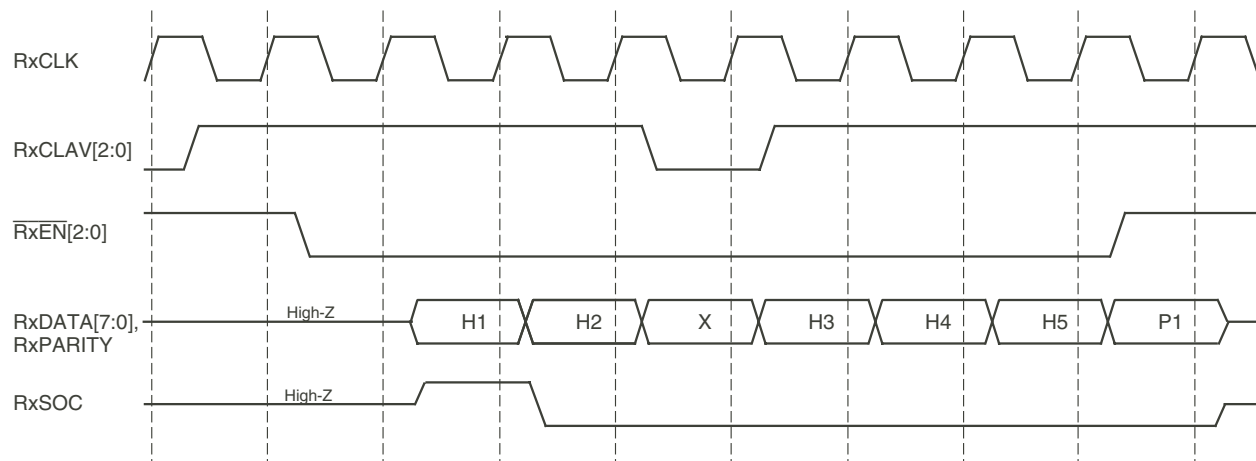
4781 drw 20

Figure 19. Utopia 1 Receive Handshake -  $\overline{RXEN}$  and  $RXCLAV$  Control



4781 drw 21

Figure 20. Utopia 1 Receive Handshake -  $RXCLAV$  Deassertion



4781 drw 22

Figure 21. Utopia 1 Receive Handshake -  $RXCLAV$  Suspended Transfer (Byte Mode Only)



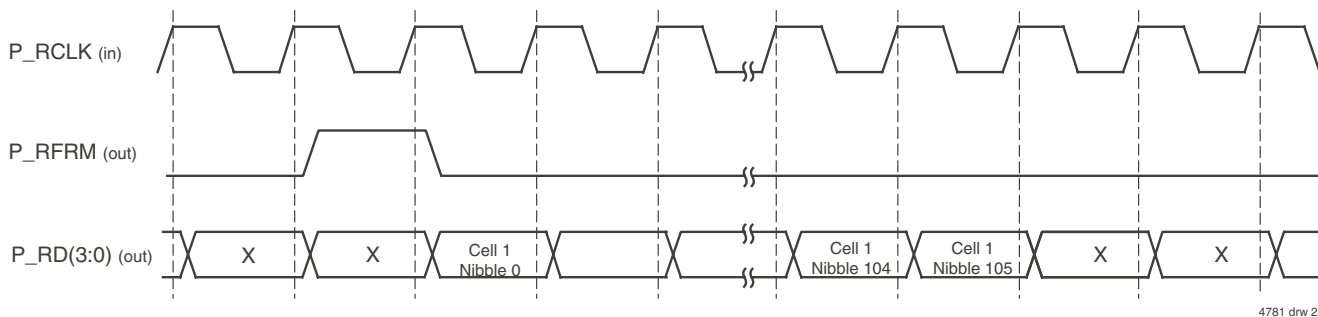


Figure 23. DPI Receive Handshake - One Cell Received

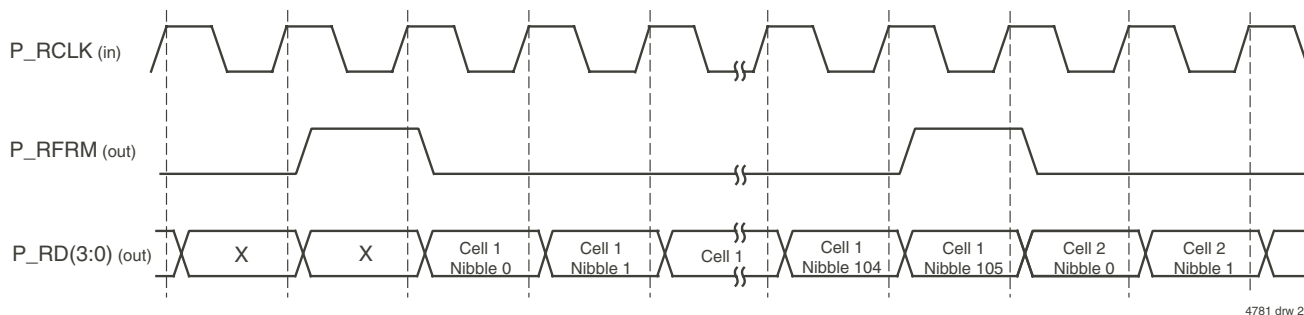


Figure 24. DPI Receive Handshake - Back-to-Back Cells

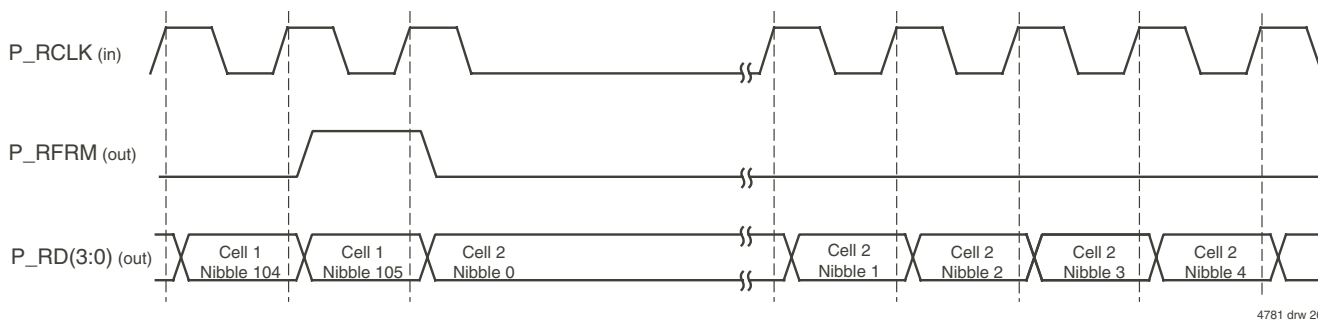


Figure 25. DPI Receive Handshake - ATM Layer Device Suspends Transfer



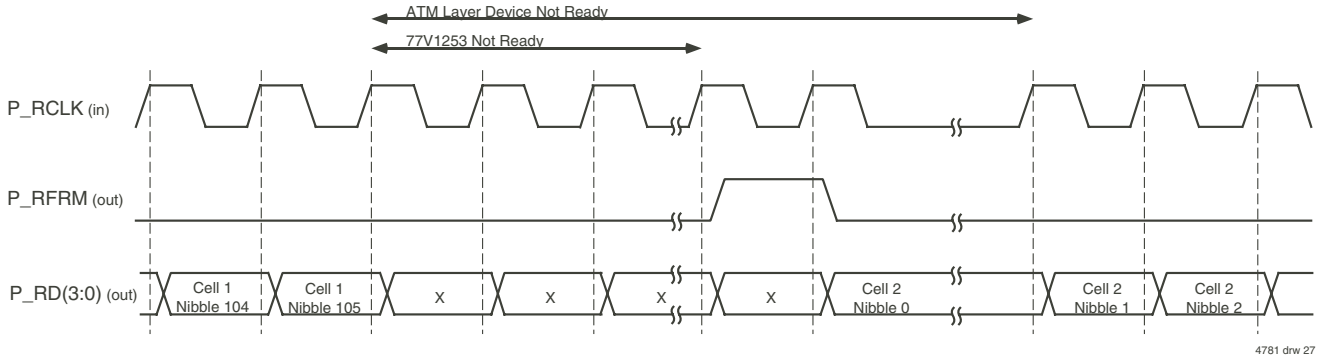


Figure 26. DPI Receive Handshake - Neither Device Ready

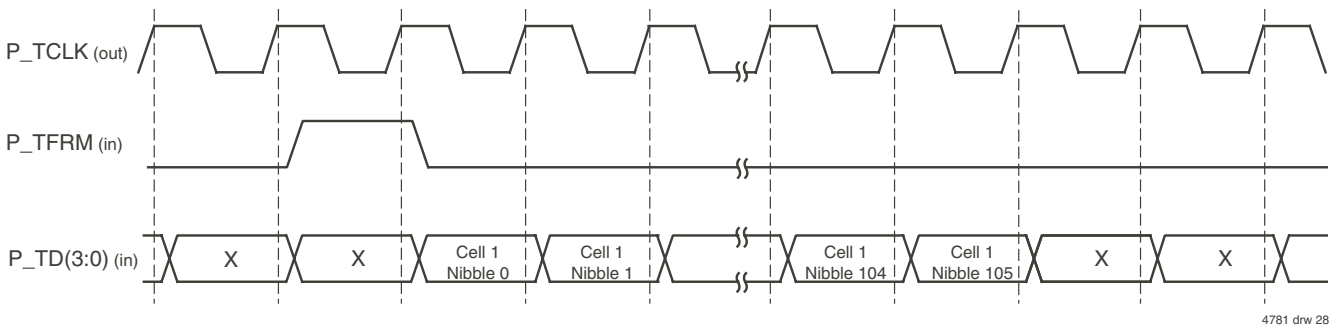


Figure 27. DPI Transmit Handshake - One Cell for Transmission

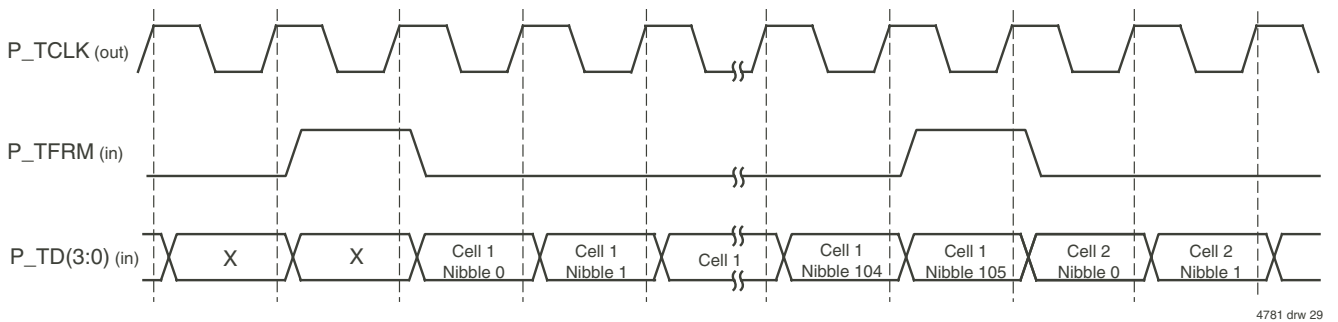
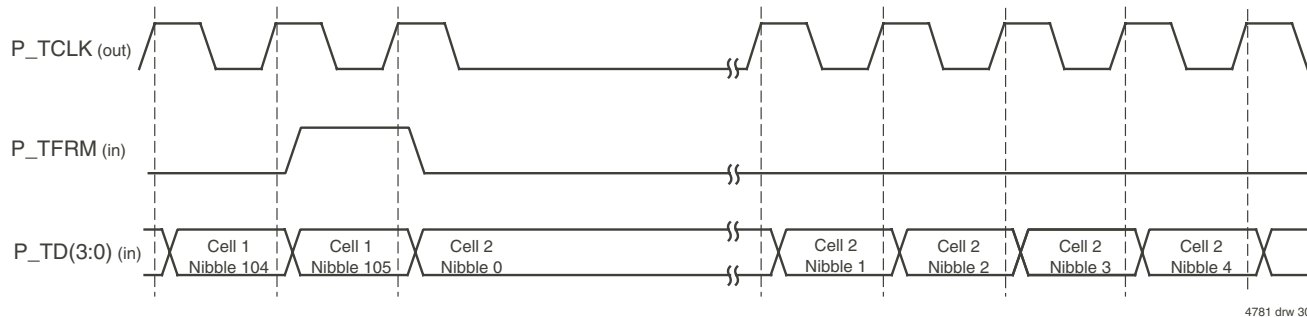
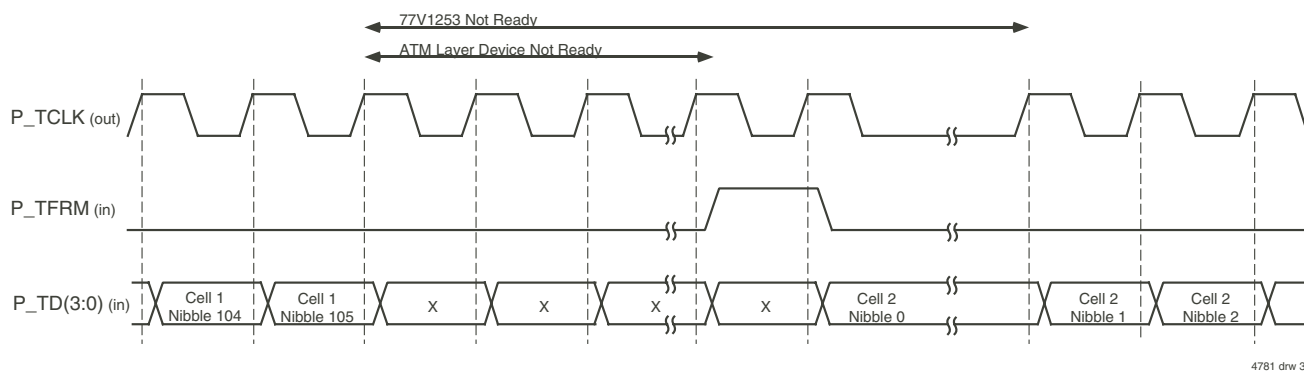


Figure 28. DPI Transmit Handshake - Back-to-Back Cells for Transmission



4781 drw 30

Figure 29. DPI Transmit Handshake - 77V1254 Transmit FIFO Full



4781 drw 31

Figure 30. DPI Transmit Handshake - Neither Device Ready

## CONTROL AND STATUS INTERFACE

### UTILITY BUS

The Utility Bus is a byte-wide interface that provides access to the registers within the IDT77V1253. These registers are used to select desired operating characteristics and functions, and to communicate status to external systems.

The Utility Bus is implemented using a multiplexed address and data bus (AD[7:0]) where the register address is latched via the Address Latch Enable (ALE) signal.

The Utility Bus interface is comprised of the following pins:  
AD[7:0], ALE,  $\overline{CS}$ ,  $\overline{RD}$ ,  $\overline{WR}$

### Read Operation

Refer to the Utility Bus timing waveforms in Figures 42 - 43. A register read is performed as follows:

- Initial condition:
  - $\overline{RD}$ ,  $\overline{WR}$ ,  $\overline{CS}$  not asserted (logic 1)
  - ALE not asserted (logic 0)
- Set up register address:
  - place desired register address on AD[7:0]
  - set ALE to logic 1;
  - latch this address by setting ALE to logic 0.
- Read register data:
  - Remove register address data from AD[7:0]
  - assert  $\overline{CS}$  by setting to logic 0;
  - assert  $\overline{RD}$  by setting to logic 0
  - wait minimum pulse width time (see AC specifications)

### Write Operation

A register write is performed as described below:

- Initial condition:
  - $\overline{RD}$ ,  $\overline{WR}$ ,  $\overline{CS}$  not asserted (logic 1)
  - ALE not asserted (logic 0)
- Set up register address:
  - place desired register address on AD[7:0]
  - set ALE to logic 1;
  - latch this address by setting ALE to logic 0.
- Write data:
  - place data on AD[7:0]
  - assert  $\overline{CS}$  by setting to logic 0;
  - assert  $\overline{WR}$  (logic 0) for minimum time (according to timing specification); reset  $\overline{WR}$  to logic 1 to complete register write cycle.

### INTERRUPT OPERATIONS

The IDT77V1253 provides a variety of selectable interrupt and signalling conditions which are useful both during 'normal' operation, and as diagnostic aids. Refer to the Status and Control Register List section.

Overall interrupt control is provided via bit 0 of the Master Control Registers. When this bit is cleared (set to 0), interrupt signalling is prevented on the respective port. The Interrupt Mask Registers allow individual masking of

different interrupt sources. Additional interrupt signal control is provided by bit 5 of the Master Control Registers. When this bit is set (=1), receive cell errors will be flagged via interrupt signalling and all other interrupt conditions are masked. These errors include:

- Bad receive HEC
- Short (fewer than 53 bytes) cells
- Received cell symbol error

Normal interrupt operations are performed by setting bit 0 and clearing bit 5 in the Master Control Registers.  $\overline{INT}$  (pin 85) will go to a low state when an interrupt condition is detected. The external system should then interrogate the 77V1253 to determine which one (or more) conditions caused this flag, and reset the interrupt for further occurrences. This is accomplished by reading the Interrupt Status Registers. Decoding the bits in these bytes will tell which error condition caused the interrupt. Reading these registers also:

- clears the (sticky) interrupt status bits in the registers that are read
- resets  $\overline{INT}$

This leaves the interrupt system ready to signal an alarm for further problems.

### LED CONTROL AND SIGNALLING

The LED outputs provide bi-directional LED drive capability of 8 mA. As an example, the RxLED outputs are described in the truth table:

| STATE                    | PIN VOLTAGE |
|--------------------------|-------------|
| Cells being received     | Low         |
| Cells not being received | High        |

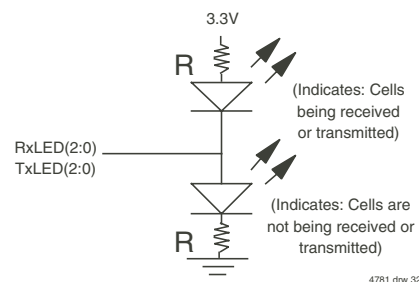
4781 tbl 10

As illustrated in the following drawing (Figure 31), this could be connected to provide for a two-LED condition indicator. These could also be different colors to provide simple status indication at a glance. (The minimum value for R should be 330Ω, but a value closer to 1 kΩ is recommended).

### TxLED Truth Table

| STATE                       | PIN VOLTAGE |
|-----------------------------|-------------|
| Cells being transmitted     | Low         |
| Cells not being transmitted | High        |

4781 tbl 11



4781 drw 32

Figure 31.

**DIAGNOSTIC FUNCTIONS**

**1. LOOPBACK**

There are two loopback modes supported by the 77V1253. The loopback mode is controlled via bits 1 and 0 of the Diagnostic Control Registers:

| Bit 1 | Bit 0 | MODE                  |
|-------|-------|-----------------------|
| 0     | 0     | Normal operating mode |
| 1     | 0     | PHY Loopback          |
| 1     | 1     | Line Loopback         |

4781 tbl 12

**Normal Mode**

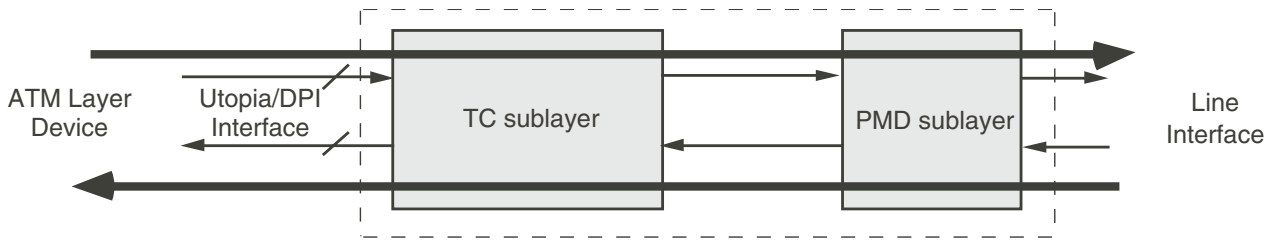
This mode, Figure 32, supports normal operating conditions: data to be transmitted is transferred to the TC, where it is queued and formatted for transmission by the PMD. Receive data from the PMD is decoded along with its clock for transfer to the receiving "upstream system".

**PHY Loopback**

As Figure 33 illustrates below, this loopback mode provides a connection within the PHY from the transmit PHY-ATM interface to the PHY-ATM receive interface. Note that while this mode is operating, no data is forwarded to or received from the line interface.

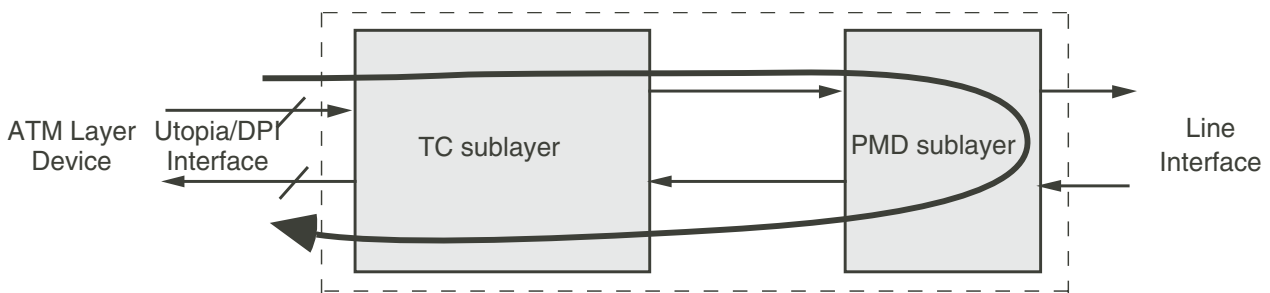
**Line Loopback**

Figure 34 might also be called "remote loopback" since it provides for a means to test the overall system, including the line. Since this mode will probably be entered under direction from another system (at a remote location), receive data is also decoded and transferred to the upstream system to allow it to listen for commands. A common example would be a command asking the upstream system to direct the TC to leave this loopback state, and resume normal operations.



4781 drw 33

Figure 32. Normal Mode



4781 drw 34

Figure 33. PHY Loopback

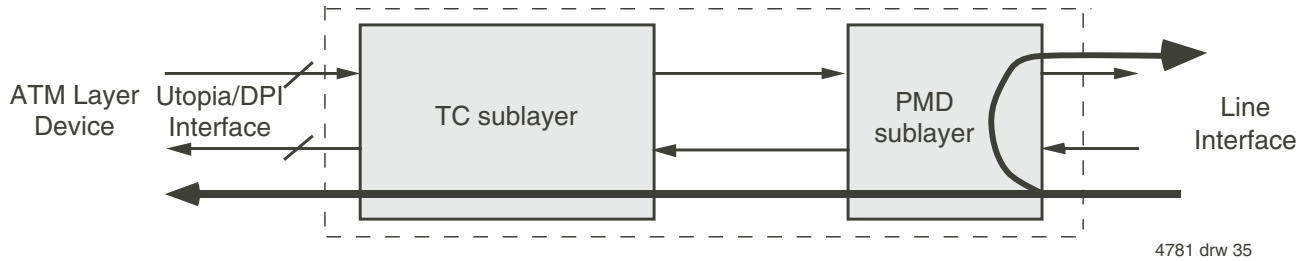


Figure 34. Line Loopback

2. COUNTERS

Several condition counters are provided to assist external systems (e.g. software drivers) in evaluating communications conditions. It is anticipated that these counters will be polled from time to time (user selectable) to evaluate performance. A separate set of registers exists for each channel of the PHY.

- Symbol Error Counters
  - 8 bits
  - counts all invalid 5-bit symbols received
- Transmit Cell Counters
  - 16 bits
  - counts all transmitted cells
- Receive Cell Counters
  - 16 bits
  - counts all received cells, excluding idle cells and HEC errored cells
- Receive HEC Error Counters
  - 5 bits
  - counts all HEC errors received

The TxCell and RxCell counters are sized (16 bits) to provide a full cell count (without roll over) if the counter is read once/second. The Symbol Error counter and HEC Error counter were given sufficient size to indicate exact counts for low error-rate conditions. If these counters overflow, a gross condition is occurring, where additional counter resolution does not provide additional diagnostic benefit.

Reading Counters

1. Decide which counter value is desired. Write to the Counter Select Register(s) (0x06, 0x16 and 0x26) to the bit location corresponding to the desired counter. This loads the High and Low Byte Counter Registers with the selected counter's value, and resets this counter to zero.

NOTE: Only one counter may be enabled at any time in each of the Counter Select Registers.

2. Read the Counter Registers (0x04, 0x14 or 0x24 (low byte)) and (0x05, 0x15 or 0x25 (high byte)) to get the value.

Further reads may be accomplished in the same manner by writing to the Counter Select Registers.

VPI/VCI Swapping

For compatibility with IDT's Switch Star products (77V400 and 77V500), the 77V1253 has the ability to swap parts of the VPI/VCI address space in the header of receive cells. This function is controlled by the VPI/VCI Swap bits, which are bit 5 of the Enhanced Control Registers (0x08, 0x18 and 0x28). The portions of the VPI/VCI that are swapped are shown below. Bits X(7:0) are swapped with Y(7:0) when the VPI/VCI Swap bit is set and the chip is in DPI mode.

|         |   |           |
|---------|---|-----------|
| 7       | 0 |           |
| GFC/VPI |   | VPI       |
| VPI     |   | VCI       |
| VCI     |   |           |
| VCI     |   | PTI   CLP |
| HEC     |   |           |
|         |   | Byte 0    |
|         |   | Byte 1    |
|         |   | Byte 2    |
|         |   | Byte 3    |
|         |   | Byte 4    |

|    |    |        |
|----|----|--------|
| 7  | 0  |        |
| X7 | X6 | X5     |
| X4 | X3 | X2     |
| X1 | X0 |        |
| Y7 |    | Y6     |
| Y5 |    | Y4     |
| Y3 |    | Y2     |
| Y1 |    | Y0     |
|    |    | Byte 0 |
|    |    | Byte 1 |
|    |    | Byte 2 |
|    |    | Byte 3 |
|    |    | Byte 4 |

4781 drw 51

## LINE SIDE (SERIAL) INTERFACE

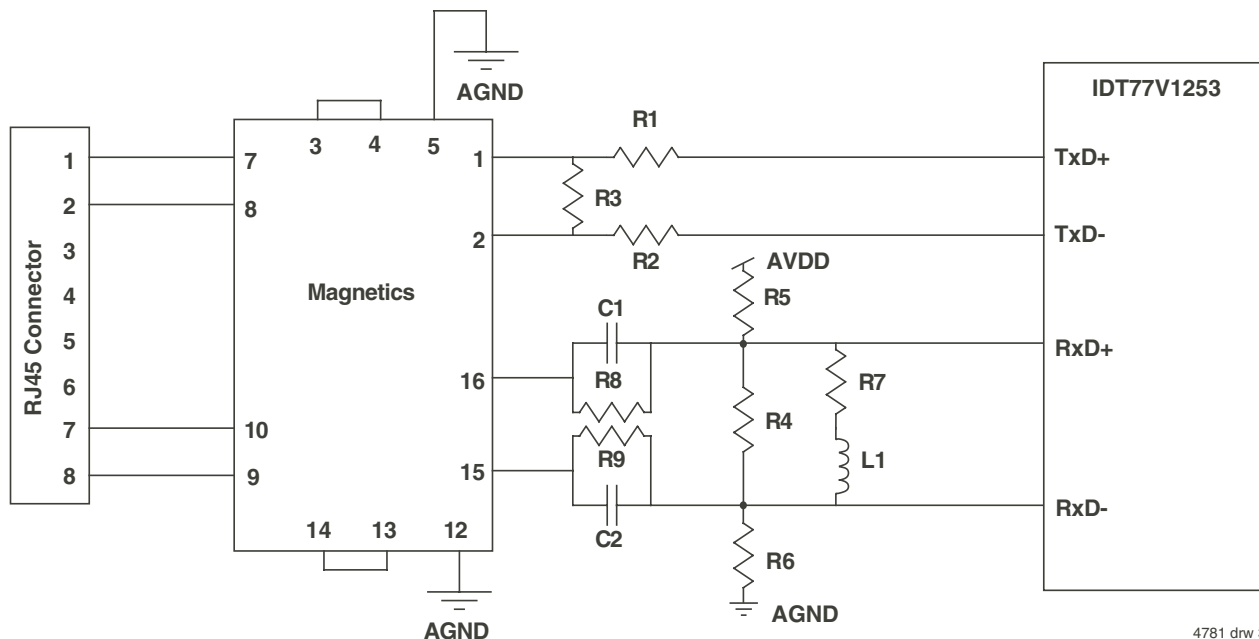
Each of the four ports has two pins for differential serial transmission, and two pins for differential serial receiving.

### PHY TO MAGNETICS INTERFACE

A standard connection to 100 $\Omega$  and 120 $\mu$  unshielded twisted pair cabling is shown in Figure 35. Note that the transmit signal is somewhat attenuated in order to meet the launch amplitude specified by the standards. The receive circuitry is designed to attenuate low frequencies in order to compensate for the high frequency attenuation of the cable.

Also, the receive circuitry biases the positive and negative RX inputs to slightly different voltages. This is done so that the receiver does not receive false signals in the absence of a real signal. This can be important because the 77V1253 does not disable error detection or interrupts when an input signal is not present.

When connecting to UTP at 51.2 Mbps, it is necessary to use magnetics with sufficient bandwidth. Such a device can also operate satisfactorily at 25.6 Mbps.



4781 drw 36

Figure 35. Recommended Connection to Magnetics

**TABLE 3 — ANALOG COMPONENT VALUES**

| Component | Value         | Tolerance  |
|-----------|---------------|------------|
| R1        | 47 $\Omega$   | $\pm 5\%$  |
| R2        | 47 $\Omega$   | $\pm 5\%$  |
| R3        | 620 $\Omega$  | $\pm 5\%$  |
| R4        | 110 $\Omega$  | $\pm 5\%$  |
| R5        | 2700 $\Omega$ | +5%        |
| R6        | 2700 $\Omega$ | $\pm 5\%$  |
| R7        | 82 $\Omega$   | $\pm 5\%$  |
| R8        | 33 $\Omega$   | $\pm 5\%$  |
| R9        | 33 $\Omega$   | $\pm 5\%$  |
| C1        | 470pF         | $\pm 20\%$ |
| C2        | 470pF         | $\pm 20\%$ |
| L1        | 3.3 $\mu$ H   | $\pm 20\%$ |

4781 tbl 13

### Magnetics Modules for 25.6 Mbps

Pulse PE-67583 or R4005 (619) 674-8100  
 TDK TLA-6M103 (847) 803-6100  
 Valor SF1153 (800) 318-2567

### Magnetics Modules for 51.2 Mbps

Pulse R4005 (619) 674-8100

## STATUS AND CONTROL REGISTER LIST

The 77V1253 has 28 registers that are accessible through the utility bus. Each of the three ports has 9 registers dedicated to that port. There is only one register (0x40) which is not port specific.

For those register bits which control operation of the Utopia interface, the operation of the Utopia interface is determined by the registers corresponding to the port which is selected at that particular time. For consistent operation, the Utopia control bits should be programmed the same for all three ports, except for the Utopia 2 port addresses in the Enhanced Control Registers.

| Register Name                     | Register Address |        |        |           |
|-----------------------------------|------------------|--------|--------|-----------|
|                                   | Port 0           | Port 1 | Port 2 | All Ports |
| Master Control Registers          | 0x00             | 0x10   | 0x20   |           |
| Interrupt Status Registers        | 0x01             | 0x11   | 0x21   |           |
| Diagnostic Control Registers      | 0x02             | 0x12   | 0x22   |           |
| LED Driver and HEC Status/control | 0x03             | 0x13   | 0x23   |           |
| Low Byte Counter Register [7:0]   | 0x04             | 0x14   | 0x24   |           |
| High Byte Counter Register [15:8] | 0x05             | 0x15   | 0x25   |           |
| Counter Registers Read Select     | 0x06             | 0x16   | 0x26   |           |
| Interrupt Mask Registers          | 0x07             | 0x17   | 0x27   |           |
| Enhanced Control Registers        | 0x08             | 0x18   | 0x28   |           |
| RxREF and TxREF Control Register  |                  |        |        | 0x40      |

4781 tbl 14

### Nomenclature

"Reserved" register bits, if written, should always be written "0"

R/W = register may be read and written via the utility bus

R-only or W-only = register is read-only or write-only

sticky = register bit is cleared after the register containing it is read; all sticky bits are read-only

"0" = 'cleared' or 'not set'

"1" = 'set'

## MASTER CONTROL REGISTERS

Addresses: 0x00, 0x10, 0x20

| Bit | Type | Initial State             | Function  |
|-----|------|---------------------------|---|
| 7   | R    | 0                         | <b>Reserved</b>   |
| 6   | R/W  | 1 = discard errored cells | <b>Discard Receive Error Cells</b><br>On receipt of any cell with an error (e.g. short cell, invalid command mnemonic, receive HEC error (if enabled)), this cell will be discarded and will not enter the receive FIFO.      |
| 5   | R/W  | 0 = all interrupts        | <b>Enable Cell Error Interrupts Only</b><br>If Bit 0 in this register is set (Interrupts Enabled), setting of this bit enables only "Received Cell Error" (as defined in bit 6) to trigger interrupt line.                    |
| 4   | R/W  | 0 = disabled              | <b>Transmit Data Parity Check</b><br>Directs TC to check parity of TxDATA against parity bit located in TXPARITY.   |
| 3   | R/W  | 1 = discard idle cells    | <b>Discard Received Idle Cells</b><br>Directs TC to discard received idle (GFC & VPI/VCI = 0) cells from PMD without signalling external systems.   |
| 2   | R/W  | 0 = not halted            | <b>Halt Tx</b><br>Halts transmission of data from TC to PMD and forces both TxD signals low.  |
| 1   | R/W  | 0 = cell mode             | <b>UTOPIA Level 1 mode select:</b><br>0 = cell mode, 1 = byte mode. Not applicable for Utopia 2 for DPI modes.  |
| 0   | R/W  | 1 = enable interrupts     | <b>Enable Interrupt Pin (Interrupt Mask Bit)</b><br>Enables interrupt output pin (pin 85). If cleared, pin is always high and interrupt is masked. If set, an interrupt will be signaled by setting the interrupt pin to "0". |

4781 tbl 15

## INTERRUPT STATUS REGISTERS

Addresses: 0x01, 0x11, 0x21

| Bit | Type   | Initial State  | Function   |
|-----|--------|----------------|--|
| 7   | R      | 0              | Reserved   |
| 6   | R      | 0 = Bad Signal | <b>Good Signal Bit</b> See definitions on pages 14 and 15<br>1 - Good Signal<br>0 - Bad Signal   |
| 5   | sticky | 0              | <b>HEC error cell received</b> Set when a HEC error is detected on received cell.  |
| 4   | sticky | 0              | <b>"Short Cell" Received</b><br>Interrupt signal which flags received cells with fewer than 53 bytes. This condition is detected when receiving Start-of-Cell command bytes with fewer than 53 bytes between them. |
| 3   | sticky | 0              | <b>Transmit Parity Error</b><br>If Bit 4 of Register 0x00 / 0x10 / 0x20 is set (Transmit Data Parity Check), this interrupt flags a transmit data parity error condition. Odd parity is used.                      |
| 2   | sticky | 0              | <b>Receive Signal Condition change</b> This interrupt is set when the received 'signal' changes either from 'bad to good' or from 'good to bad'.   |
| 1   | sticky | 0              | <b>Received Symbol Error</b> Set when an undefined 5-bit symbol is received.   |
| 0   | sticky | 0              | <b>Receive FIFO Overflow</b> Interrupt which indicates when the receive FIFO has filled and cannot accept additional data.   |

4781 tbl 16

## DIAGNOSTIC CONTROL REGISTERS

Addresses: 0x02, 0x12, 0x22

| Bit | Type | Initial State | Function  |
|-----|------|---------------|---|
| 7   | R/W  | 0 = normal    | <b>Force TxCLAV deassert</b> (applicable only in Utopia 1 and 2 modes)<br>Used during line loopback mode to prevent upstream system from continuing to send data to the 77V1253. Not applicable in DPI mode.  |
| 6   | R/W  | 0 = UTOPIA    | <b>RxCLAV Operation Select</b> (for Utopia 1 mode)<br>The UTOPIA standard dictates that during cell mode operation, if the receive FIFO no longer has a complete cell available for transfer from PHY, RxCLAV is deasserted following transfer of the last byte out of the PHY to the upstream system. With this bit set, early deassertion of this signal will occur coincident with the end of Payload byte 44 (as in octet mode for TxCLAV). This provides early indication to the upstream system of this impending condition.<br>0 = "Standard UTOPIA RxCLAV"<br>1 = "Cell mode = Byte mode" |
| 5   | R/W  | 1 = tri-state | <b>Single/Multi-PHY configuration select</b> (applicable and writable only in Utopia 1 mode)<br>0 = single: Never tri-state RxDATA, RxPARITY and RxSOC<br>1 = Multi-PHY mode: Tri-state RxDATA, RxPARITY and RxSOC when RxEN = 1  |
| 4   | R/W  | 0 = normal    | <b>RFLUSH = Clear Receive FIFO</b><br>This signal is used to tell the TC to flush (clear) all data in the receive FIFO. The TC signals this completion by clearing this bit.  |
| 3   | R/W  | 0 = normal    | <b>Insert Transmit Payload Error</b><br>Tells TC to insert cell payload errors in transmitted cells. This can be used to test error detection and recovery systems at destination station, or, under loopback control, at the local receiving station. This payload error is accomplished by flipping bit 0 of the last cell payload byte.  |
| 2   | R/W  | 0 = normal    | <b>Insert Transmit HEC Error</b><br>Tells TC to insert HEC error in Byte 5 of cell. This can be used to test error detection and recovery systems in downstream switches, or, under loopback control, the local receiving station. The HEC error is accomplished by flipping bit 0 of the HEC byte.   |
| 1,0 | R/W  | 00 = normal   | <b>Loopback Control</b><br>bit # 1 0<br>0 0 Normal mode (receive from network)<br>1 0 PHY Loopback<br>1 1 Line Loopback   |

4781 tbl 17



## LED DRIVER AND HEC STATUS/CONTROL REGISTERS

Addresses: 0x03, 0x13, 0x23

| Bit   | Type | Initial State                  | Function  |       |   |   |  |   |   |   |                              |   |   |   |                               |   |   |   |                               |   |   |   |                               |
|-------|------|--------------------------------|---|-------|---|---|--|---|---|---|------------------------------|---|---|---|-------------------------------|---|---|---|-------------------------------|---|---|---|-------------------------------|
| 7     |      | 0                              | Reserved  |       |   |   |  |   |   |   |                              |   |   |   |                               |   |   |   |                               |   |   |   |                               |
| 6     | R/W  | 0 = enable checking            | <b>Disable Receive HEC Checking (HEC Enable)</b><br>When not set, the HEC is calculated on first 4 bytes of received cell, and compared against the 5th byte. When set (= 1), the HEC byte is not checked.  |       |   |   |  |   |   |   |                              |   |   |   |                               |   |   |   |                               |   |   |   |                               |
| 5     | R/W  | 0 = enable calculate & replace | <b>Disable Xmit HEC Calculate &amp; Replace</b><br>When set, the 5th header byte of cells queued for transmit is not replaced with the HEC calculated across the first four bytes of that cell.   |       |   |   |  |   |   |   |                              |   |   |   |                               |   |   |   |                               |   |   |   |                               |
| 4,3   | R/W  | 00 = 1 cycle                   | <b>RxREF Pulse Width Select</b><br><table border="0"> <tr> <td>bit #</td> <td>4</td> <td>3</td> <td></td> </tr> <tr> <td>0</td> <td>0</td> <td>0</td> <td>RxREF active for 1 OSC cycle</td> </tr> <tr> <td>0</td> <td>0</td> <td>1</td> <td>RxREF active for 2 OSC cycles</td> </tr> <tr> <td>1</td> <td>0</td> <td>1</td> <td>RxREF active for 4 OSC cycles</td> </tr> <tr> <td>1</td> <td>1</td> <td>1</td> <td>RxREF active for 8 OSC cycles</td> </tr> </table> | bit # | 4 | 3 |  | 0 | 0 | 0 | RxREF active for 1 OSC cycle | 0 | 0 | 1 | RxREF active for 2 OSC cycles | 1 | 0 | 1 | RxREF active for 4 OSC cycles | 1 | 1 | 1 | RxREF active for 8 OSC cycles |
| bit # | 4    | 3                              |   |       |   |   |  |   |   |   |                              |   |   |   |                               |   |   |   |                               |   |   |   |                               |
| 0     | 0    | 0                              | RxREF active for 1 OSC cycle  |       |   |   |  |   |   |   |                              |   |   |   |                               |   |   |   |                               |   |   |   |                               |
| 0     | 0    | 1                              | RxREF active for 2 OSC cycles   |       |   |   |  |   |   |   |                              |   |   |   |                               |   |   |   |                               |   |   |   |                               |
| 1     | 0    | 1                              | RxREF active for 4 OSC cycles   |       |   |   |  |   |   |   |                              |   |   |   |                               |   |   |   |                               |   |   |   |                               |
| 1     | 1    | 1                              | RxREF active for 8 OSC cycles   |       |   |   |  |   |   |   |                              |   |   |   |                               |   |   |   |                               |   |   |   |                               |
| 2     | R    | 1 = empty                      | <b>FIFO Status</b> 1 = TxFIFO empty    0 = TxFIFO not empty   |       |   |   |  |   |   |   |                              |   |   |   |                               |   |   |   |                               |   |   |   |                               |
| 1     | R    | 1                              | <b>TxLED Status</b> 0 = Cell Transmitted    1 = Cell not Transmitted  |       |   |   |  |   |   |   |                              |   |   |   |                               |   |   |   |                               |   |   |   |                               |
| 0     | R    | 1                              | <b>RxLED Status</b> 0 = Cell Received    1 = Cell not Received  |       |   |   |  |   |   |   |                              |   |   |   |                               |   |   |   |                               |   |   |   |                               |

4781 tbl 18

## LOW BYTE COUNTER REGISTERS [7:0]

Addresses: 0x04, 0x14, 0x24

| Bit   | Type | Initial State | Function   |
|-------|------|---------------|--|
| [7:0] | R    | 0x00          | Provides low-byte of counter value selected via registers 0x06, 0x16 and 0x26. |

4781 tbl 19

## HIGH BYTE COUNTER REGISTERS [15:8]

Addresses: 0x05, 0x15, 0x25

| Bit   | Type | Initial State | Function  |
|-------|------|---------------|---|
| [7:0] | R    | 0x00          | Provides high-byte of counter value selected via registers 0x06, 0x16 and 0x26. |

4781 tbl 20

## COUNTER SELECT REGISTERS

Addresses: 0x06, 0x16, 0x26

| Bit | Type | Initial State | Function                   |
|-----|------|---------------|----------------------------|
| 7   | —    | 0             | Reserved.                  |
| 6   | —    | 0             | Reserved.                  |
| 5   | —    | 0             | Reserved.                  |
| 4   | —    | 0             | Reserved.                  |
| 3   | W    | 0             | Symbol Error Counter.      |
| 2   | W    | 0             | TxCell Counter.            |
| 1   | W    | 0             | RxCell Counter.            |
| 0   | W    | 0             | Receive HEC Error Counter. |

4781 tbl 21

NOTE: Only one bit may set at any time for proper operation

## INTERRUPT MASK REGISTERS

Addresses: 0x07, 0x17, 0x27

| Bit | Type | Initial State         | Function                         |
|-----|------|-----------------------|----------------------------------|
| 7   |      | 0                     | Reserved.                        |
| 6   |      | 0                     | Reserved.                        |
| 5   | R/W  | 0 = interrupt enabled | HEC Error Cell.                  |
| 4   | R/W  | 0 = interrupt enabled | Short Cell Error.                |
| 3   | R/W  | 0 = interrupt enabled | Transmit Parity Error.           |
| 2   | R/W  | 0 = interrupt enabled | Receive Signal Condition Change. |
| 1   | R/W  | 0 = interrupt enabled | Received Cell Symbol Error.      |
| 0   | R/W  | 0 = interrupt enabled | Receive FIFO Overflow.           |

NOTE: When set to "1", these bits mask the corresponding interrupts going to the interrupt pin ( $\overline{INT}$ ). When set to "0", the interrupts are unmasked. These interrupts correspond to the interrupt status bits in the Interrupt Status Registers. 4781 tbl 22

## ENHANCED CONTROL REGISTERS

Addresses: 0x08, 0x18, 0x28

| Bit | Type | Initial State  | Function  |
|-----|------|--|---|
| 7   | W    | 0 = not reset  | <b>Individual Port Software Reset</b><br>1 = Reset. This bit is self clearing; It is not necessary to write "0" to exit reset.  |
| 6   | R/W  | 0 = OSC  | <b>Transmit Line Clock (or Loop Timing Mode)</b><br>When set to 0, the OSC input is used as the transmit line clock. When set to 1, the recovered receive clock is used as the transmit line clock. |
| 5   | R/W  | 0 = no swap  | <b>VPI/VCI Swap</b><br>DPI mode only. Receive direction only. See description on page 29.   |
| 4-0 | R/W  | Port 0 (Reg 0x08): 00000<br>Port 1 (Reg 0x18): 00001<br>Port 2 (Reg 0x28): 00010 | <b>Utopia 2 Port Address</b><br>When operating in Utopia 2 Mode, these register bits determine the Utopia 2 port address. These bits are not affected by an Individual Port Software Reset.         |

4781 tbl 23

## RXREF AND TXREF CONTROL REGISTER

Addresses: 0x40

| Bit | Type | Initial State                     | Function  |
|-----|------|-----------------------------------|---|
| 7,6 | R/W  | 00 = $\overline{RxREF0}$ (Port 0) | <b>RxREF Source Select</b><br>Selects which of the three ports (0 to 2) is the source of $\overline{RxREF}$ .   |
| 5   | W    | 0 = not reset                     | <b>Master Software Reset</b><br>1 - Reset. This bit is self clearing; it is not necessary write "0" to exit reset.  |
| 4-3 | R/W  | 00                                | Reserved.   |
| 2-0 | R/W  | 0000 = not looped                 | <b><math>\overline{RxREF}</math> to <math>\overline{TxREF}</math> Loop Select</b><br>When set to 0, $\overline{TxREF}$ is used to generate X_8 timing marker commands.<br>When set to 1, $\overline{TxREF}$ input is ignored, and received X_8 timing commands are looped back and added to the transmit stream of that same port. See Figure 6.<br>bit 2: port 2<br>bit 1: port 1<br>bit 0: port 0 |

4781 tbl 24

### ABSOLUTE MAXIMUM RATINGS<sup>(1)</sup>

| Symbol            | Rating                               | Value        | Unit |
|-------------------|--------------------------------------|--------------|------|
| V <sub>TERM</sub> | Terminal Voltage with Respect to GND | -0.5 to +5.5 | V    |
| T <sub>BIAS</sub> | Temperature Under Bias               | -55 to +125  | °C   |
| T <sub>STG</sub>  | Storage Temperature                  | -55 to +120  | °C   |
| I <sub>OUT</sub>  | DC Output Current                    | 50           | mA   |

4781 tbl 25

**NOTE:**

- Stresses greater than those listed under ABSOLUTE MAXIMUM RATINGS may cause permanent damage to the device. This is a stress rating only and functional operation of the device at these or any other conditions above those indicated in the operational sections of this specification is not implied. Exposure to absolute maximum rating conditions for extended periods may affect reliability.

### RECOMMENDED OPERATING TEMPERATURE AND SUPPLY VOLTAGE

| Grade      | Ambient Temperature | GND, AGND | VDD, AVDD   |
|------------|---------------------|-----------|-------------|
| Commercial | 0°C to +70°C        | 0V        | 3.3V ± 0.3V |
| Industrial | -40°C to +85°C      | 0V        | 3.3V ± 0.3V |

4781 tbl 27

### RECOMMENDED DC OPERATIONS CONDITIONS

| Symbol          | Parameter              | Min. | Typ. | Max. | Unit |
|-----------------|------------------------|------|------|------|------|
| VDD             | Digital Supply Voltage | 3.0  | 3.3  | 3.6  | V    |
| GND             | Digital Ground Voltage | 0    | 0    | 0    | V    |
| V <sub>IH</sub> | Input High Voltage     | 2.0  | —    | 5.25 | V    |
| V <sub>IL</sub> | Input Low Voltage      | -0.3 | —    | 0.8  | V    |
| AVDD            | Analog Supply Voltage  | 3.0  | 3.3  | 3.6  | V    |
| AGND            | Analog Ground Voltage  | 0    | 0    | 0    | V    |
| VDIF            | VDD - AVDD             | -0.5 | 0    | 0.5  | V    |

4781 tbl 26

### CAPACITANCE (T<sub>A</sub> = +25°C, f = 1MHz)

| Symbol                         | Parameter         | Conditions            | Max. | Unit |
|--------------------------------|-------------------|-----------------------|------|------|
| C <sub>IN</sub> <sup>(1)</sup> | Input Capacitance | V <sub>IN</sub> = 0V  | 10   | pF   |
| C <sub>IO</sub> <sup>(1)</sup> | I/O Capacitance   | V <sub>OUT</sub> = 0V | 10   | pF   |

4781 tbl 28

**NOTES:**

- Characterized values, not currently tested.

### DC ELECTRICAL CHARACTERISTICS (ALL PINS EXCEPT TX+/- AND RX+/-)

| Symbol                            | Parameter                          | Test Conditions                    | Min. | Max. | Unit |
|-----------------------------------|------------------------------------|------------------------------------|------|------|------|
| I <sub>LI</sub>                   | Input Leakage Current              | Gnd ≤ V <sub>IN</sub> ≤ VDD        | -5   | 5    | μA   |
| I <sub>LO</sub>                   | I/O (as input) Leakage Current     | Gnd ≤ V <sub>IN</sub> ≤ VDD        | -10  | 10   | μA   |
| V <sub>OH1</sub> <sup>(1)</sup>   | Output Logic "1" Voltage           | I <sub>OH</sub> = -2mA, VDD = min. | 2.4  | —    | V    |
| V <sub>OH2</sub> <sup>(2)</sup>   | Output Logic "1" Voltage           | I <sub>OH</sub> = -8mA, VDD = min. | 2.4  | —    | V    |
| V <sub>OL</sub> <sup>(3)</sup>    | Output Logic "0" Voltage           | I <sub>OL</sub> = 8mA, VDD = min.  | —    | 0.4  | V    |
| I <sub>DD1</sub> <sup>(4,5)</sup> | Digital Power Supply Current - VDD | OSC = 32 MHz, all outputs unloaded | —    | 140  | mA   |
| I <sub>DD2</sub> <sup>(5)</sup>   | Analog Power Supply Current - AVDD | OSC = 32 MHz, all outputs unloaded | —    | 140  | mA   |

4781 tbl 29

**NOTES:**

- For AD[7:0] pins only.
- For all output pins except AD[7:0],  $\overline{INT}$  and TX+/-.
- For all output pins except TX+/-.
- Add 15mA for each TX+/- pair that is driving a load
- Total supply current is the sum of IDD1 and IDD2.

### DC ELECTRICAL CHARACTERISTICS (TX+/- OUTPUT PINS ONLY)

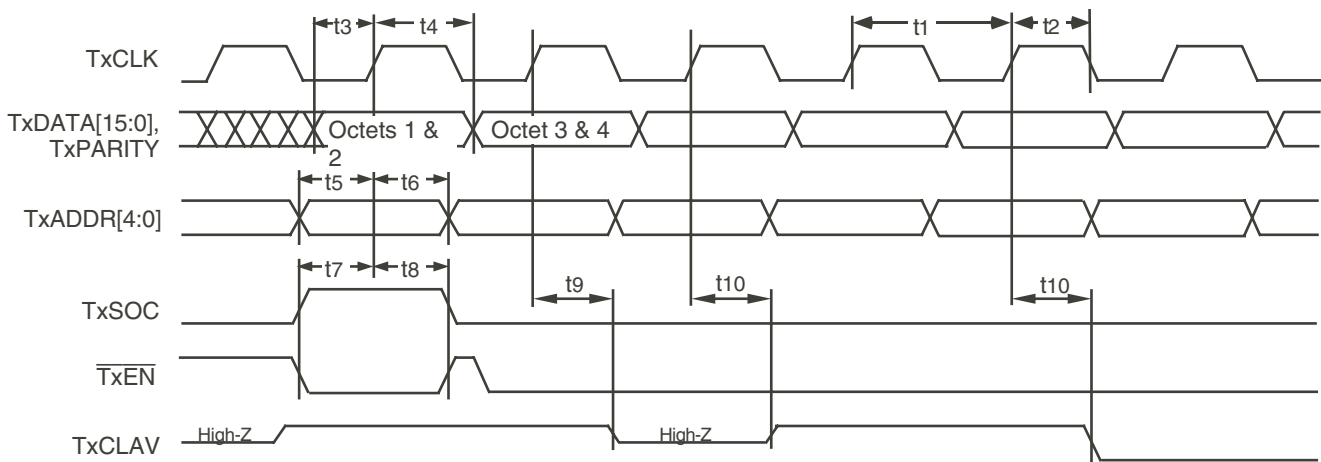
| Symbol          | Parameter           | Test Conditions         | Min.       | Max. | Unit |
|-----------------|---------------------|-------------------------|------------|------|------|
| V <sub>OH</sub> | Output High Voltage | I <sub>OH</sub> = -20mA | VDD - 0.5V | —    | V    |
| V <sub>OL</sub> | Output Low Voltage  | I <sub>OL</sub> = 20mA  | —          | 0.5  | V    |

4781 tbl 30

## UTOPIA LEVEL 2 BUS TIMING PARAMETERS

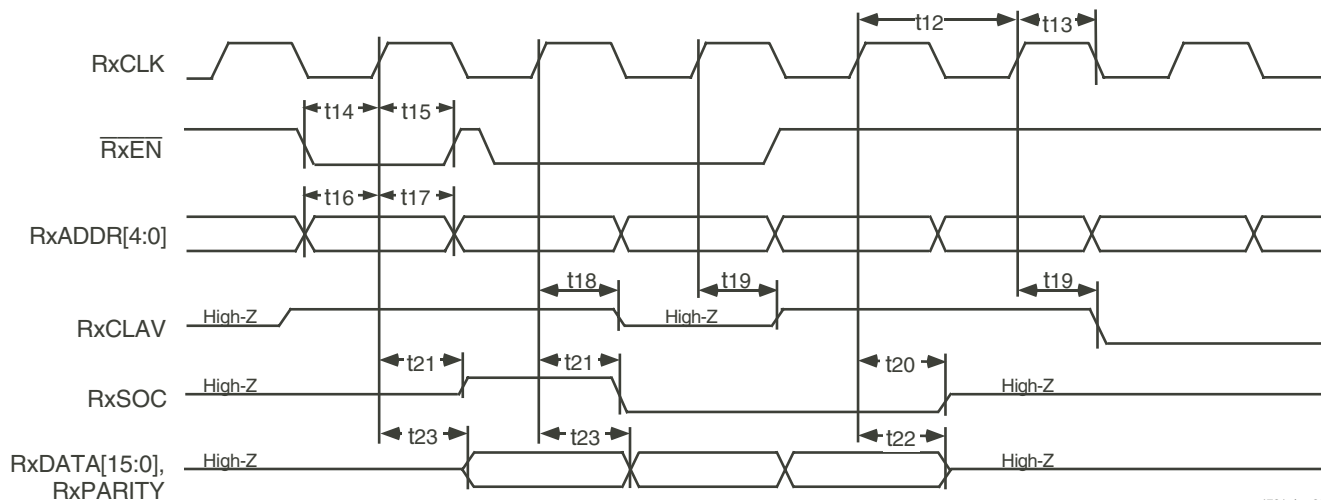
| Symbol | Parameter   | Min. | Max. | Unit |
|--------|---|------|------|------|
| t1     | TxCLK Frequency                                       | 0.2  | 50   | MHz  |
| t2     | TxCLK Duty Cycle (% of t1)                            | 40   | 60   | %    |
| t3     | TxDATA[15:0], TxPARITY Setup Time to TxCLK            | 7    | —    | ns   |
| t4     | TxDATA[15:0], TxPARITY Hold Time to TxCLK             | 2    | —    | ns   |
| t5     | TxADDR[4:0], Setup Time to TxCLK                      | 7    | —    | ns   |
| t6     | TxADDR[4:0], Hold Time to TxCLK                       | 2    | —    | ns   |
| t7     | TxSOC, $\overline{\text{TxEN}}$ Setup Time to TxCLK   | 7    | —    | ns   |
| t8     | TxSOC, $\overline{\text{TxEN}}$ Hold Time to TxCLK    | 2    | —    | ns   |
| t9     | TxCLK to TxCLAV High-Z                                | 2    | 10   | ns   |
| t10    | TxCLK to TxCLAV Low-Z (min) and Valid (max)           | 2    | 14   | ns   |
| t12    | RxCLK Frequency                                       | 0.2  | 50   | MHz  |
| t13    | RxCLK Duty Cycle (% of t12)                           | 40   | 60   | %    |
| t14    | $\overline{\text{RxEN}}$ Setup Time to RxCLK          | 7    | —    | ns   |
| t15    | $\overline{\text{RxEN}}$ Hold Time to RxCLK           | 2    | —    | ns   |
| t16    | RxADDR[4:0] Setup Time to RxCLK                       | 7    | —    | ns   |
| t17    | RxADDR[4:0] Hold Time to RxCLK                        | 2    | —    | ns   |
| t18    | RxCLK to RxCLAV High-Z                                | 2    | 10   | ns   |
| t19    | RxCLK to RxCLAV Low-Z (min) and Valid (max)           | 2    | 14   | ns   |
| t20    | RxCLK to RxSOC High-Z                                 | 2    | 10   | ns   |
| t21    | RxCLK to RxSOC Low-Z (min) and Valid (max)            | 2    | 14   | ns   |
| t22    | RxCLK to RxDATA, RxPARITY High-Z                      | 2    | 10   | ns   |
| t23    | RxCLK to RxDATA, RxPARITY Low-Z (min) and Valid (max) | 2    | 14   | ns   |

4781 tbl 31



4781 dnr 37

Figure 36. UTOPIA Level 2 Transmit



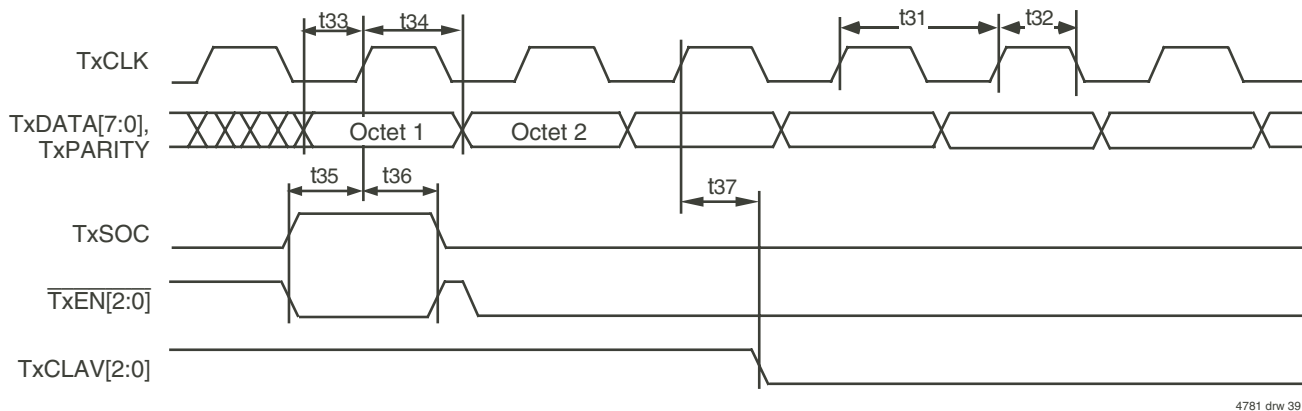
4781 drw 38

Figure 37. UTOPIA Level 2 Receive

## UTOPIA LEVEL 1 BUS TIMING PARAMETERS

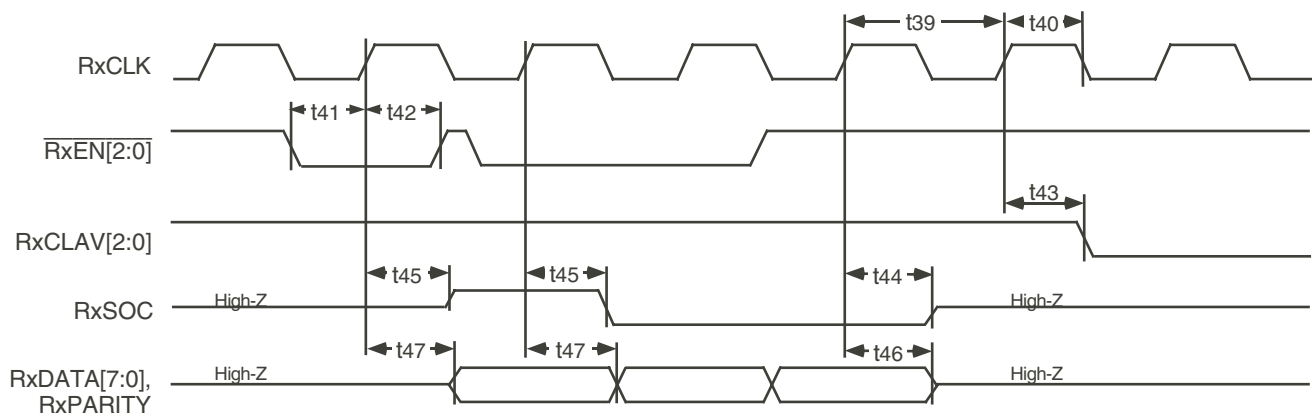
| Symbol | Parameter  | Min. | Max. | Unit |
|--------|--|------|------|------|
| t31    | TxCLK Frequency  | 0.2  | 50   | MHz  |
| t32    | TxCLK Duty Cycle (% of t31)                              | 40   | 60   | %    |
| t33    | TxDATA[7:0], TxPARITY Setup Time to TxCLK                | 7    | —    | ns   |
| t34    | TxDATA[7:0], TxPARITY Hold Time to TxCLK                 | 2    | —    | ns   |
| t35    | TxSOC, $\overline{\text{TxEN}}[2:0]$ Setup Time to TxCLK | 7    | —    | ns   |
| t36    | TxSOC, $\overline{\text{TxEN}}[2:0]$ Hold Time to TxCLK  | 2    | —    | ns   |
| t37    | TxCLK to TxCLAV[2:0] Invalid (min) and Valid (max)       | 2    | 14   | ns   |
| t39    | RxCLK Frequency  | 0.2  | 50   | MHz  |
| t40    | RxCLK Duty Cycle (% of t39)                              | 40   | 60   | %    |
| t41    | $\overline{\text{RxEN}}[2:0]$ Setup Time to RxCLK        | 7    | —    | ns   |
| t42    | $\overline{\text{RxEN}}[2:0]$ Hold Time to RxCLK         | 2    | —    | ns   |
| t43    | RxCLK to RxCLAV[2:0] Invalid (min) and Valid (max)       | 2    | 14   | ns   |
| t44    | RxCLK to RxSOC High-Z                                    | 2    | 10   | ns   |
| t45    | RxCLK to RxSOC Low-Z (min) and Valid (max)               | 2    | 14   | ns   |
| t46    | RxCLK to RxDATA, RxPARITY High-Z                         | 2    | 10   | ns   |
| t47    | RxCLK to RxDATA, RxPARITY Low-Z (min) and Valid (max)    | 2    | 14   | ns   |

4781 tbl 32



4781 drw 39

Figure 38. UTOPIA Level 1 Transmit



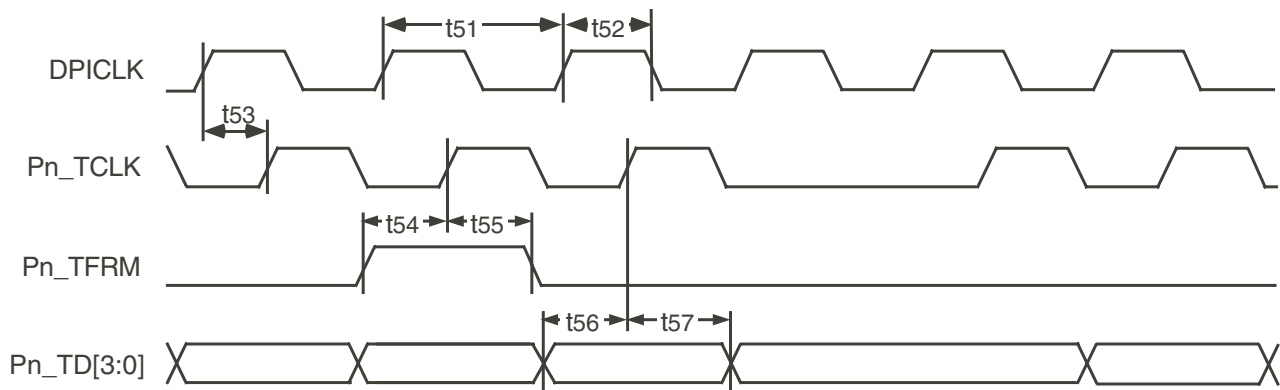
4781 drw 40

Figure 39. UTOPIA Level 1 Receive

## DPI BUS TIMING PARAMETERS

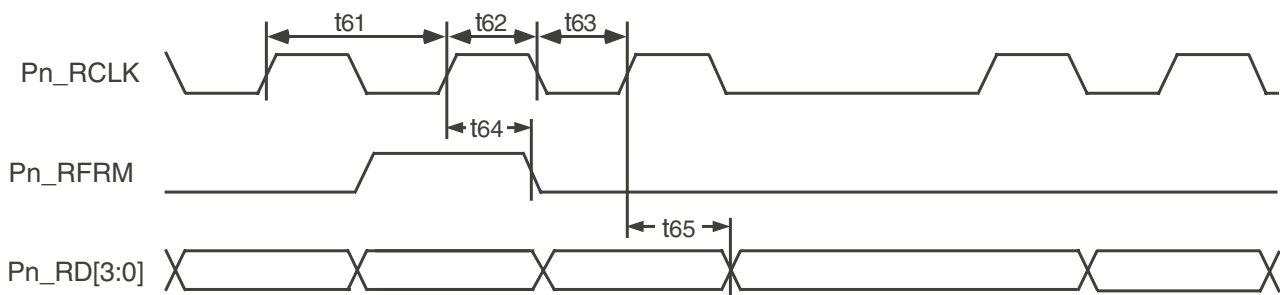
| Symbol | Parameter  | Min. | Max. | Unit |
|--------|--|------|------|------|
| t51    | DPICLK Frequency                                 | 0.2  | 50   | MHz  |
| t52    | DPICLK Duty Cycle (% of t31)                     | 40   | 60   | %    |
| t53    | DPICLK to Pn_TCLK Propagation Delay              | 2    | 14   | ns   |
| t54    | Pn_TFRM Setup Time to Pn_TCLK                    | 11   | —    | ns   |
| t55    | Pn_TFRM Hold Time to Pn_TCLK                     | 1    | —    | ns   |
| t56    | Pn_TD[3:0] Setup Time to Pn_TCLK                 | 11   | —    | ns   |
| t57    | Pn_TD[3:0] Hold Time to Pn_TCLK                  | 1    | —    | ns   |
| t61    | Pn_RCLK Period                                   | 25   | —    | ns   |
| t62    | Pn_RCLK High Time                                | 10   | —    | ns   |
| t63    | Pn_RCLK Low Time                                 | 10   | —    | ns   |
| t64    | Pn_RCLK to Pn_RFRM Invalid (min) and Valid (max) | 2    | 12   | ns   |
| t65    | Pn_RCLK to Pn_RD Invalid (min) and Valid (max)   | 2    | 12   | ns   |

4781 tbl 33



4781 drw 41

Figure 40. DPI Transmit



4781 drw 42

Figure 41. DPI Receive

**UTILITY BUS READ CYCLE**

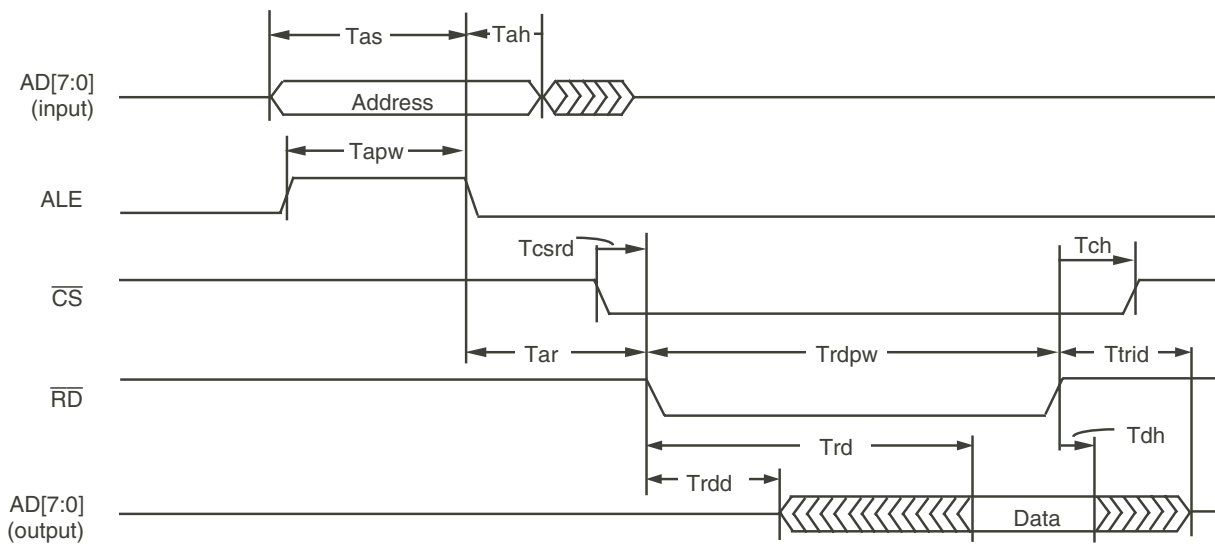
| Name  | Min | Max | Unit | Description  |
|-------|-----|-----|------|--|
| Tas   | 10  | —   | ns   | Address setup to ALE                                 |
| Tcsrd | 0   | —   | ns   | Chip select to read enable                           |
| Tah   | 5   | —   | ns   | Address hold to ALE                                  |
| Tapw  | 10  | —   | ns   | ALE min pulse width                                  |
| Ttria | —   | 0   | ns   | Address tri-state to $\overline{RD}$ assert          |
| Trdpw | 20  | —   | ns   | Min. $\overline{RD}$ pulse width                     |
| Tdh   | 0   | —   | ns   | Data Valid hold time                                 |
| Tch   | 0   | —   | ns   | $\overline{RD}$ deassert to $\overline{CS}$ deassert |
| Ttrid | —   | 10  | ns   | $\overline{RD}$ deassert to data tri-state           |
| Trd   | 5   | 18  | ns   | Read Data access                                     |
| Tar   | 5   | —   | ns   | ALE low to start of read                             |
| Trdd  | 0   | —   | ns   | Start of read to Data low-Z                          |

4781 tbl 34

**UTILITY BUS WRITE CYCLE**

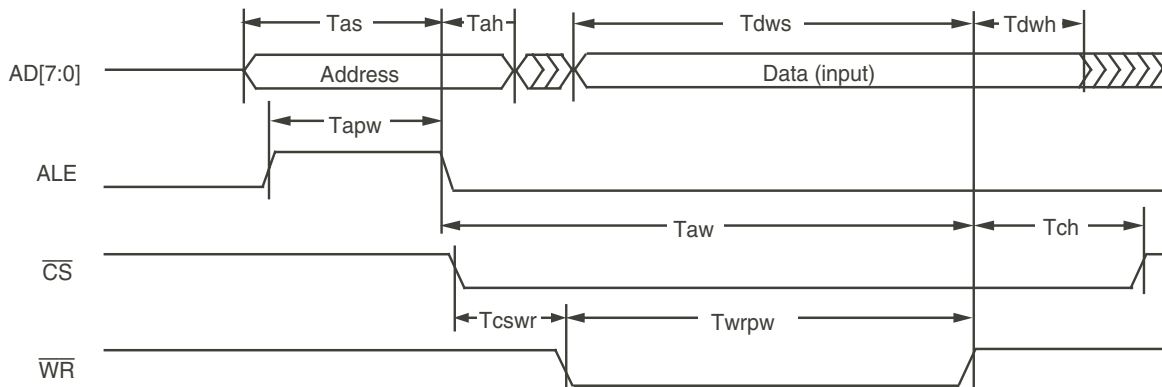
| Name   | Min | Max | Unit | Description  |
|--------|-----|-----|------|--|
| Tapw   | 10  | —   | ns   | ALE min pulse width                                  |
| Tas    | 10  | —   | ns   | Address set up to ALE                                |
| Tah    | 5   | —   | ns   | Address hold time to ALE                             |
| Tacswr | 0   | —   | ns   | $\overline{CS}$ Assert to $\overline{WR}$            |
| Twrpw  | 20  | —   | ns   | Min. $\overline{WR}$ pulse width                     |
| Tdws   | 20  | —   | ns   | Write Data set up                                    |
| Tdwh   | 10  | —   | ns   | Write Data hold time                                 |
| Tch    | 0   | —   | ns   | $\overline{WR}$ deassert to $\overline{CS}$ deassert |
| Taw    | 20  | —   | ns   | ALE low to end of write                              |

4781 tbl 35



4781 drw 43

Figure 42. Utility Bus Read Cycle



4781 drw 44

Figure 43. Utility Bus Write Cycle



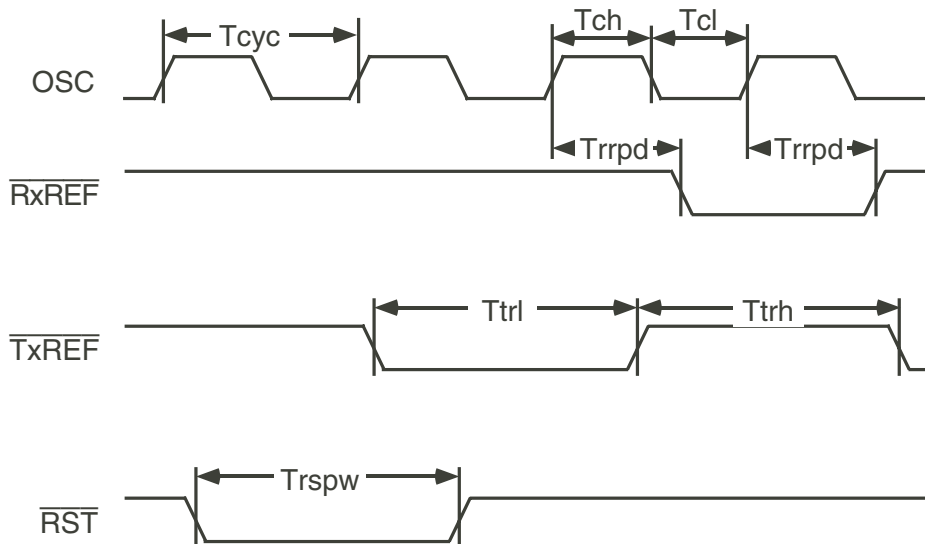
## OSC, $\overline{\text{RXREF}}$ , $\overline{\text{TXREF}}$ AND RESET TIMING

| Symbol               | Parameter  | Min.           | Typ.            | Max.       | Unit |
|----------------------|--|----------------|-----------------|------------|------|
| Tcyc                 | OSC cycle period (25.6 Mbps)<br>(51.2 Mbps)        | 30<br>15       | 31.25<br>15.625 | 33<br>16.5 | ns   |
| Tch                  | OSC high time                                      | 40             | —               | 60         | %    |
| Tcl                  | OSC low time                                       | 40             | —               | 60         | %    |
| Tcc                  | OSC cycle to cycle period variation                | —              | —               | 1          | %    |
| Trrpd <sup>(1)</sup> | OSC to $\overline{\text{RXREF}}$ Propagation Delay | 1              | —               | 30         | ns   |
| Ttrh                 | $\overline{\text{TXREF}}$ High Time                | 35             | —               | —          | ns   |
| Ttrl                 | $\overline{\text{TXREF}}$ Low Time                 | 35             | —               | —          | ns   |
| Trspw                | Minimum $\overline{\text{RST}}$ Pulse Width        | two OSC cycles | —               | —          | —    |

4781 tbl 36

### NOTES:

1. The width of the  $\overline{\text{RXREF}}$  pulse is programmable in the LED Driver and HEC Status/Control Registers.
2. The minimum  $\overline{\text{RESET}}$  Pulse Width is either two RxCLK cycles, two TxCLK cycles, two DPICLK cycles or two OSC cycles, whichever is greater (and applicable).



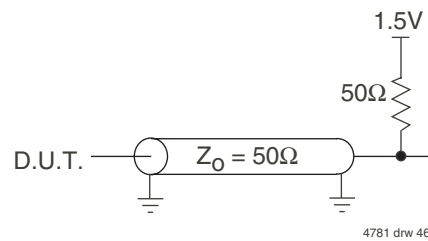
4781 drw 45

Figure 44. OSC,  $\overline{\text{RXREF}}$ ,  $\overline{\text{TXREF}}$  and Reset Timing

## AC TEST CONDITIONS

|                               |               |
|-------------------------------|---------------|
| Input Pulse Levels            | GND to 3.0V   |
| Input Rise/Fall Times         | 3ns           |
| Input Timing Reference Levels | 1.5V          |
| Output Reference Levels       | 1.5V          |
| Output Load                   | See Figure 45 |

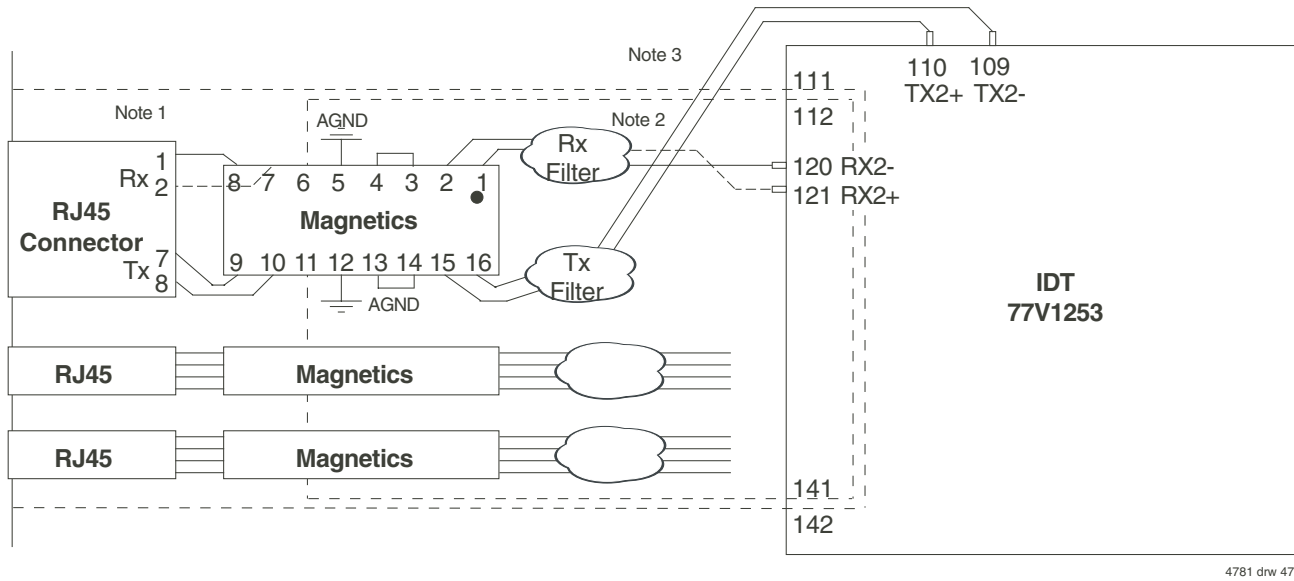
4781 tbl 37



4781 drw 46

Figure 45. Output Load  
\* Includes jig and scope capacitances.

A note about Figures 46 and 47: The ATM Forum and ITU-T standards for 25 Mbps ATM define "Network" and "User" interfaces. They are identical except that transmit and receive are switched between the two. A Network device can be connected directly to a User device with a straight-through cable. User-to-User or Network-to-Network connections require a cable with 1-to-7 and 2-to-8 crossovers.

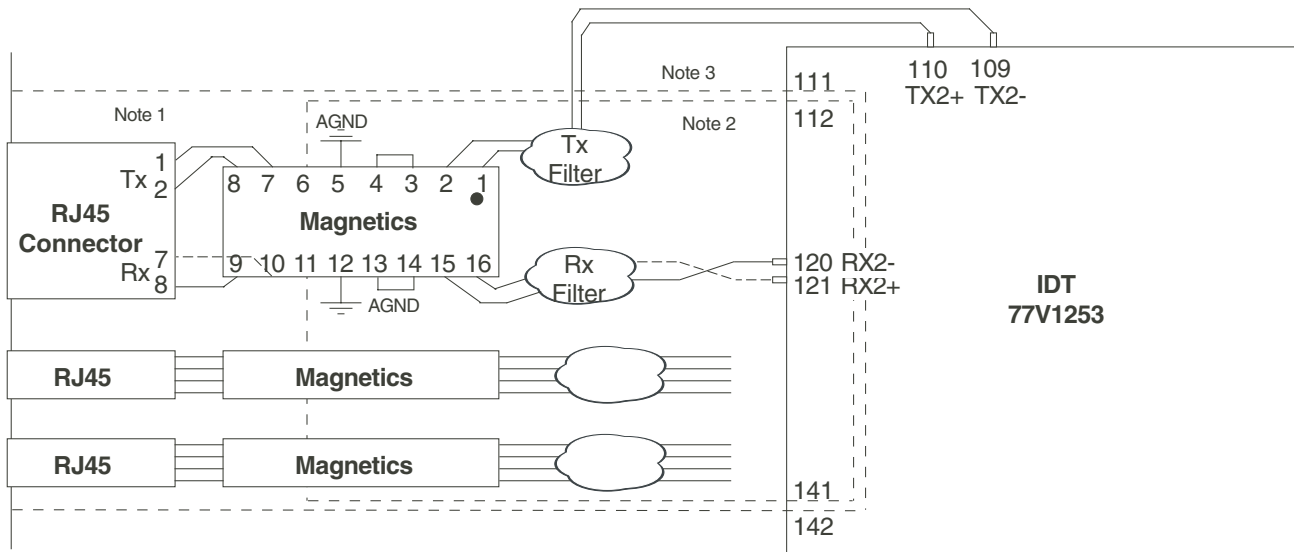


4781 drw 47

Figure 46. PC Board Layout for ATM Network

NOTES:

1. No power or ground plane inside this area.
2. Analog power plane inside this area.
3. Digital power plane inside this area.
4. A single ground plane should extend over the area covered by the analog and digital power planes, without breaks.
5. All analog signal traces should avoid 90° corners.



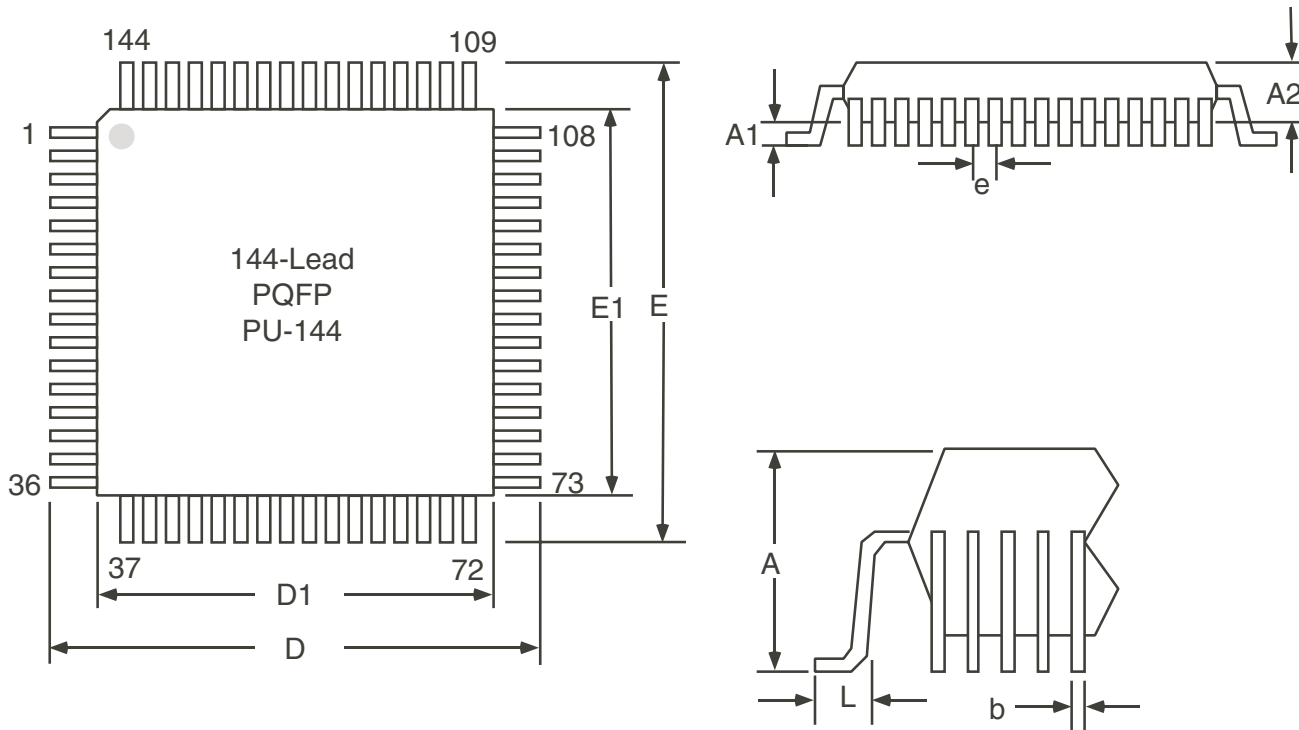
4781 drw 48

Figure 47. PC Board Layout for ATM User

NOTES:

1. No power or ground plane inside this area.
2. Analog power plane inside this area.
3. Digital power plane inside this area.
4. A single ground plane should extend over the area covered by the analog and digital power planes, without breaks.
5. All analog signal traces should avoid 90° corners.

## Package Dimensions



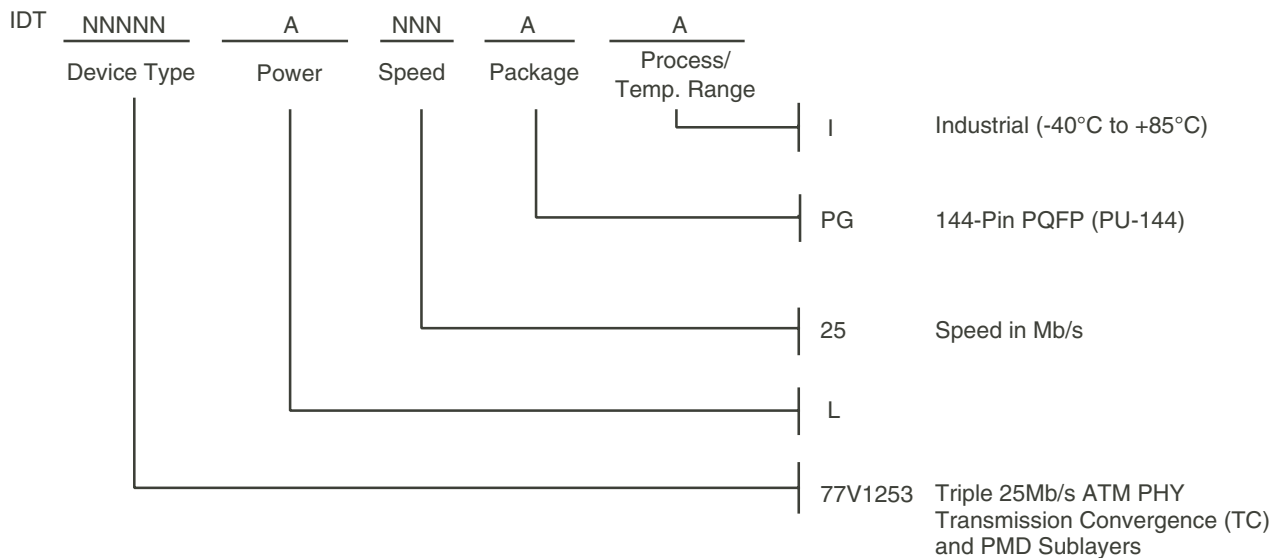
| SYMBOL | MIN. | NOM.  | MAX. |
|--------|------|-------|------|
| A      | -    | 3.70  | 4.07 |
| A1     | 0.25 | 0.33  | -    |
| A2     | 3.20 | 3.37  | 3.60 |
| D      | -    | 31.20 | -    |
| D1     | -    | 28.00 | -    |
| E      | -    | 31.20 | -    |
| E1     | -    | 28.00 | -    |
| L      | 0.73 | 0.88  | 1.03 |
| e      | -    | 0.65  | -    |
| b      | 0.22 | -     | 0.38 |

Dimensions are in millimeters

4781 drw 49

PSC-4053 is a more comprehensive package outline drawing which is available from the packaging section of the IDT web site.

## Ordering Information



4781 drw 50

## Preliminary Datasheet: Definition

"PRELIMINARY" datasheets contain descriptions for products soon to be, or recently released to production, including features, pinouts and block diagrams. Timing data are based on simulation or initial characterization and are subject to change upon full characterization.

## Datasheet Document History

- 11/30/98: PRELIMINARY. Numerous minor edits. Corrections to Figures 25 and 29. Elimination of Line Rate Selection bit in the Master Control Registers. IDD1 and IDD2 values updated. Addition of VPI/VCI Swap feature. Improvements to Utopia bus timing parameters.
- 3/25/99: Update to new format
- 12/08/2004: Removed Preliminary from datasheet and also removed Commercial Temperature range throughout Datasheet and in Ordering Information drawing (pg 44) and updated datasheet to current template.



**CORPORATE HEADQUARTERS**  
2975 Stender Way  
Santa Clara, CA 95054

**for SALES:**  
800-345-7015 or 408-727-6116  
fax: 408-492-8694

**for Tech Support:**  
408-330-1552  
email: TELECOMhelp@idt.com