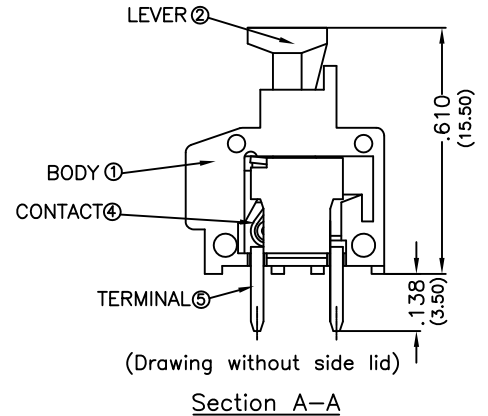
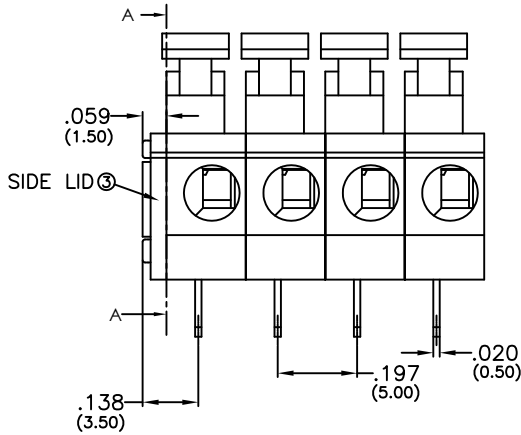
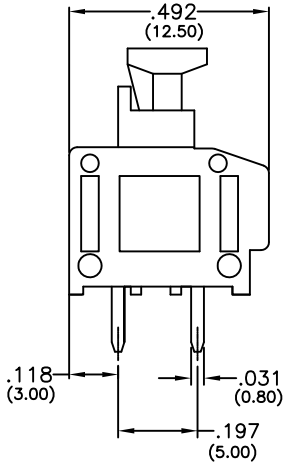
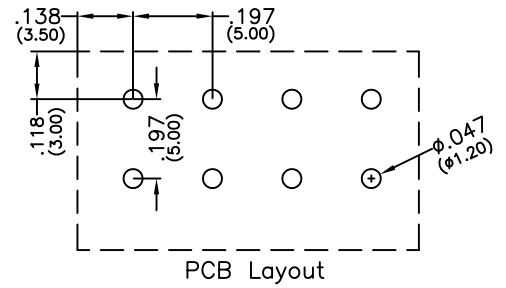
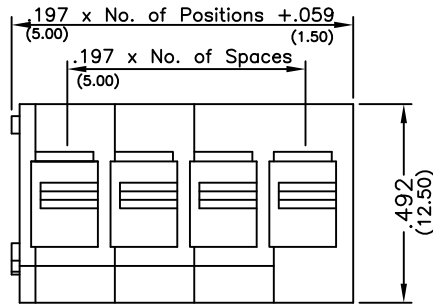


Major League Electronics .197 cl Screwless Terminal Blocks



Ordering Information

TBS-00-197-XX-XX-LF

Pitch
197 = .197 (5.00) cl

No. of Positions
02 - 24

Color
GR = Green (Standard)
BK = Black
BL = Blue
WH = White
GY = Grey
OR = Orange
YW = Yellow
RD = Red
BR = Brown

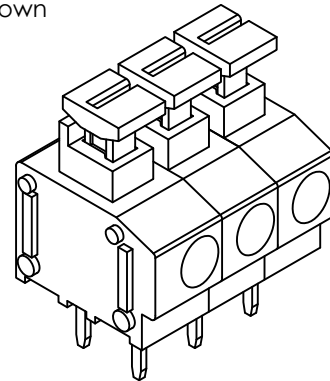
Lead Free

Specifications

Current Rating: 10 Ampere
Voltage Rating: AC 250V
Wire Range: 16-22 AWG
Dielectric Withstanding Voltage: AC 2500V/1 minute
Insulation Resistance: DC 500V 1000MΩ
Operating Temperature: -33°C to + 105°C
Strip Length: .236-.276 (6-7mm)

Materials

1. Body: PA66 (Nylon), UL94 V-0
2. Lever: PA66 (Nylon), UL94 V-0
3. Side Lid: PA66 (Nylon), UL94 V-0
4. Contact: SUS301, Stainless Steel
5. Terminal: H65, Brass, Tin Plated



Parts are subject to change without notice

TBS-00-197-XX-XX-LF

.197cl Screwless Terminal Block
Interlock

05 DEC 08

Scale
NTS

UNLESS OTHERWISE SPECIFIED
DIMENSIONS IN INCHES (MM)
TOLERANCES IN INCHES:

ONE DECIMAL PLACE ±0.30
TWO DECIMAL PLACE ±0.20
THREE DECIMAL PLACE ±0.15
FOUR DECIMAL PLACE ±0.10



4235 Earnings Way, New Albany, Indiana, 47150, USA
1-800-782-3486 (USA/Canada/Mexico)
Tel: 812-944-7244
Fax: 812-944-7268
E-mail: mle@mlelectronics.com
Web: www.mlelectronics.com

Revision
B


Sheet
1/2

Revisions

Revision B - (23rd Mar 2010)

Side view added

PCB layout amended - dimension amended from .118 (3.00) to .138 (3.50)

<p>UNLESS OTHERWISE SPECIFIED DIMENSIONS IN INCHES (MM) TOLERANCES IN INCHES:</p> <p>ONE DECIMAL PLACE ±0.30 TWO DECIMAL PLACE ±0.20 THREE DECIMAL PLACE ±0.15 FOUR DECIMAL PLACE ±0.10</p>	<p>TBS-00-197-XX-XX-LF</p> 	<p>.197cl Screwless Terminal Block Interlock</p> <p>4235 Earnings Way, New Albany, Indiana, 47150, USA 1-800-782-3486 (USA/Canada/Mexico) Tel: 812-944-7244 Fax: 812-944-7268 E-mail: mle@mlelectronics.com Web: www.mlelectronics.com</p>	<p>05 DEC 08</p> <p>Scale NTS</p> <p>Revision B</p> <p>Sheet 2/2</p>
---	--	--	--