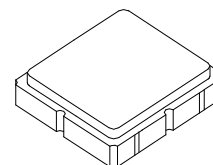


Preliminary



SF2081D

1220 MHz
SAW Filter



SM3838-8

- SAW Filter for Cable System
- Complies with Directive 2002/95/EC (RoHS)

Characteristics :

Balance to Balanced operation

Terminating source impedance : $Z_S = 200 \Omega$

Terminating load impedance : $Z_L = 200 \Omega$

Maximum Rating

Rating	Value	Units
Input Power Level	0	dB _m
DC Voltage	3	V
Operating Temperature	-30 ~ +85	°C
Storage Temperature	-40 ~ +85	°C

Electrical Characteristics

Characteristic	Sym	Notes	Min	Typ	Max	Units
Center Frequency	f_C			1220		MHz
Insertion Loss (1195~1245 MHz)	IL			4.0		dB
Amplitude Ripple (1195~1245 MHz)				2.0		dB
Attenuation: (Reference level from 0 dB)						
1) TBD			TBD			dB
2) TBD			TBD			
3) TBD			TBD			
Group delay Ripple (p-p)						ns

Case Style	SM3030-8 3.0 x 3.0 mm Nominal Footprint
Lid Symbolization (Y=year, WW=week, S=shift) dot=pin 1 indicator	TBD, YWWS
Standard Reel Quantity	1000 Pieces/Reel
Reel Size 7 Inch	
Reel Size 13 Inch	3000 Pieces/Reel

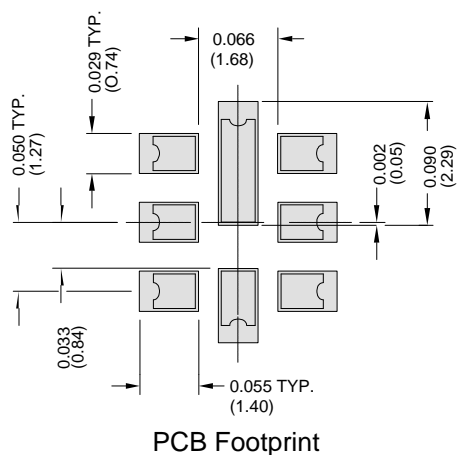
Notes:

1. US and international patents may apply.
2. RFM, stylized RFM logo, and RF Monolithics, Inc. are registered trademarks of RF Monolithics, Inc.
3. ©Copyright 1999, RF Monolithics Inc.
4. Electrostatic Sensitive Device. Observe precautions for handling.



SM3838-8 Case

8-Terminal Ceramic Surface-Mount Case 3.8 X 3.8 mm Nominal Footprint



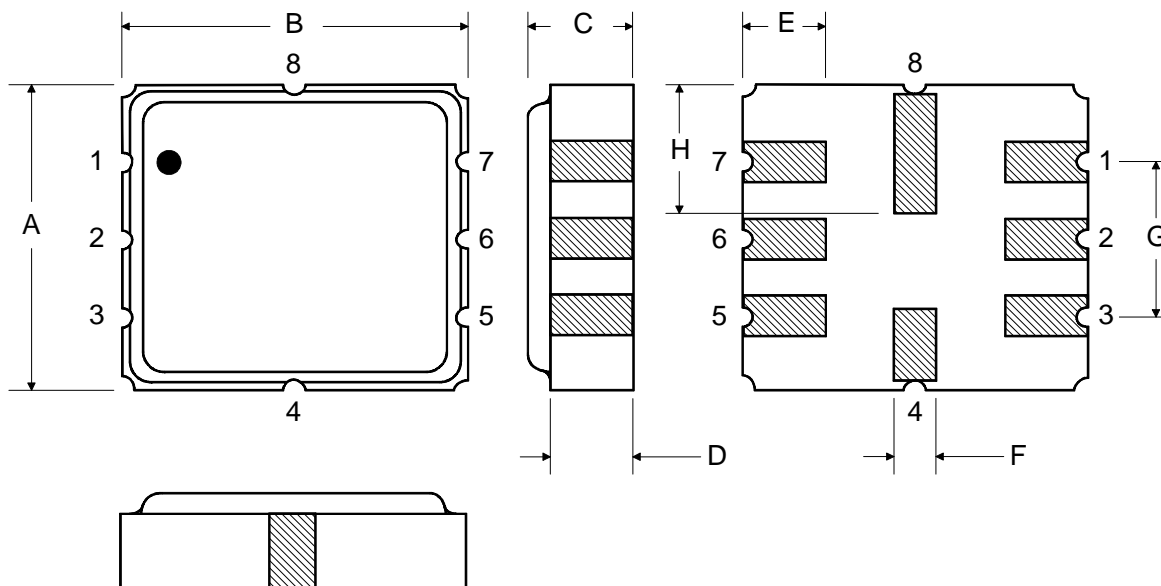
Case Dimensions						
Dimension	mm			Inches		
	Min	Nom	Max	Min	Nom	Max
A	3.6	3.8	4.0	0.142	0.150	0.157
B	3.6	3.8	4.0	0.142	0.150	0.157
C	1.05	1.20	1.35	0.041	0.047	0.053
D	0.95	1.10	1.25	0.037	0.043	0.049
E	0.90	1.00	1.10	0.035	0.040	0.043
F	0.50	0.60	0.70	0.020	0.024	0.028
G	2.39	2.54	2.69	0.090	0.100	0.110
H	1.40	1.75	2.05	0.055	0.069	0.080

Electrical Connections		
	Connection	Terminals
Port 1	Differential Input	1, 2
Port 2	Differential Output	5, 6
	Ground	All Others
Single Ended Operation		Return is Ground
Differential Operation		Return is Hot
Dot Indicates Pin 1		

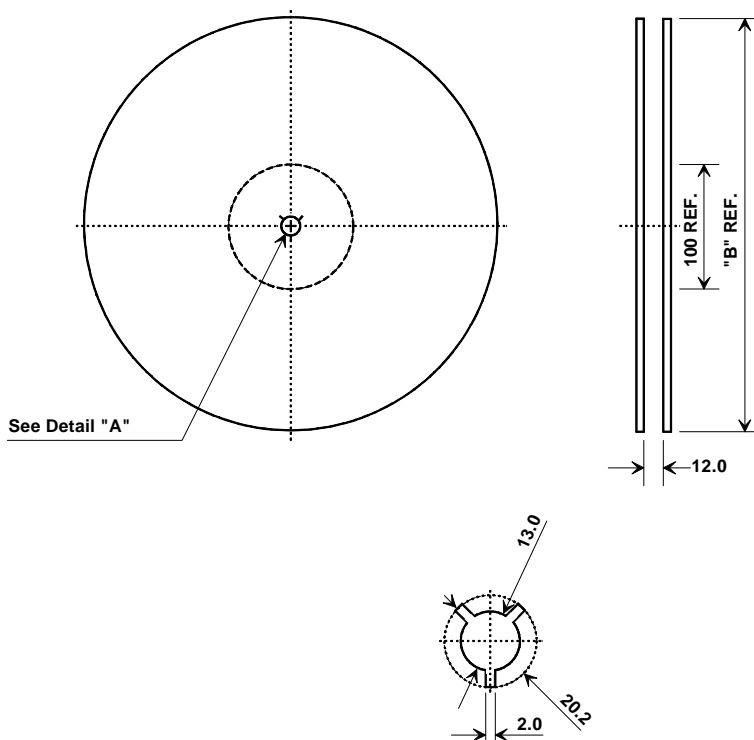
Materials	
Solder Pad Termination	Au plating 30 - 60 ulnches (76.2-152 uM) over 80-200 ulnches (203-508 uM) Ni.
Lid	Fe-Ni-Co Alloy Electroless Nickel Plate (8-11% Phosphorus) 100-200 ulnches Thick
Body	Al ₂ O ₃ Ceramic
Pb Free	

TOP VIEW

BOTTOM VIEW



Tape and Reel Specifications



"B" Nominal Size		Quantity Per Reel
Inches	millimeters	
7	178	500
13	330	3000

COMPONENT ORIENTATION and DIMENSIONS

Carrier Tape Dimensions	
Ao	4.25 mm
Bo	4.25 mm
Ko	1.30 mm
Pitch	8.0 mm
W	12.0 mm

