

## SPECIFICATIONS

Electrical Ratings	100mA @ 30VDC
Electrical Life	100,000 cycles typical
Contact Resistance	< 50 mΩ initial
Actuation Force	180 +/- 50gF
Actuator Travel	1.5 mm to lock 2.5 mm full travel
Dielectric Strength	1000Vrms min
Insulation Resistance	> 100MΩ min
Operating Temperature	-40°C to 85°C
Storage Temperature	-40°C to 85°C



## MATERIALS ←RoHS COMPLIANT

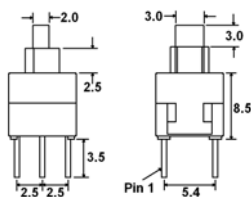
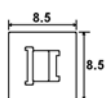
Actuator	Acetal
Housing	PBT
Cover	Acetal
Latching Pin	Stainless Steel
Spring	Stainless Steel
Contacts	Phosphor Bronze, Silver Plated
Terminals	Brass, Silver Plated

## ORDERING INFORMATION

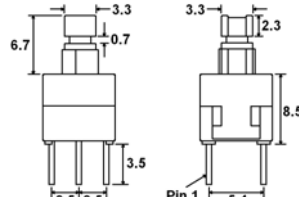
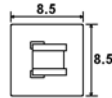
<b>1. Series:</b> LP2203	<b>LP2203</b>	<b>F180</b>	<b>N</b>	<b>Z</b>	<b>A</b>
<b>2. Actuation Force:</b> F180 = 180gF					
<b>3. Latching:</b> N = Non-latching L = Latching					
<b>4. Actuator Options:</b> X = 2mm X 3mm head Y = 3.3 square head Z = 2.8 square head					
<b>5. Termination:</b> A = PC Pins, straight B = PC pins with bend					
<b>6. Caps:</b>					
Blank = No Cap	C04	C13	C17	C23	
C01	C05	C14	C18	C24	
C02	C11	C15	C19	C25	
C03	C12	C16	C22		

**Cap Colors:**  
**\*\*See Cap Options for color availability**  
**\*\*Caps available with Y & Z actuators only**

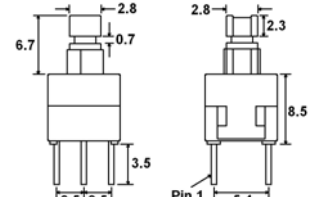
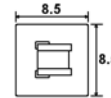
## DIMENSIONS



**X**

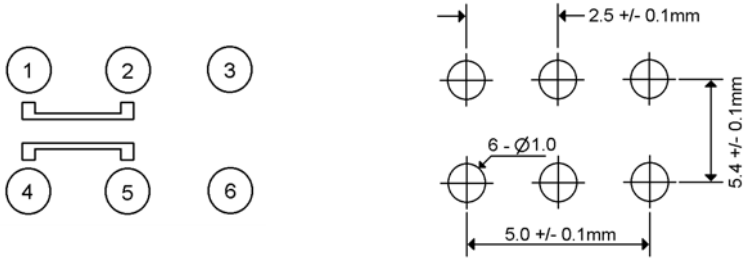


**Y**

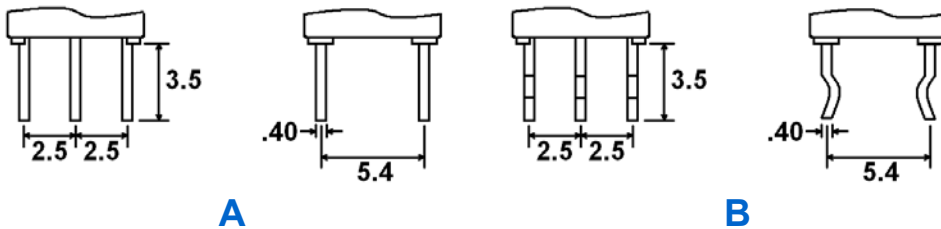


**Z**


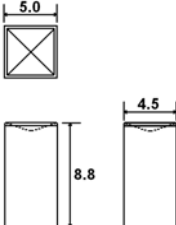

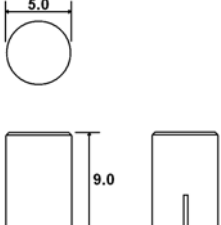

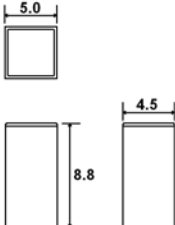

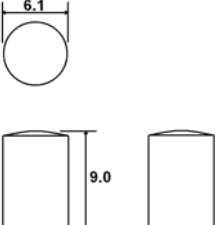

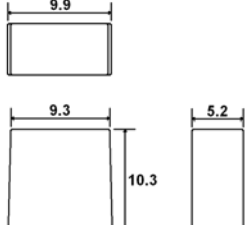
## SCHEMATIC & PC LAYOUT




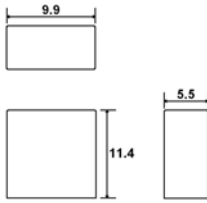

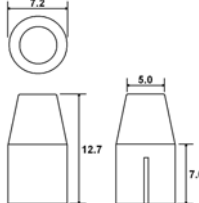

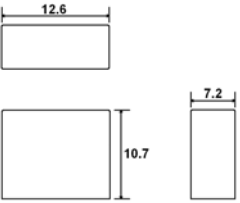

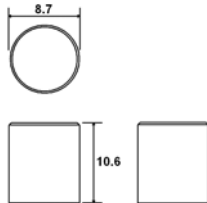

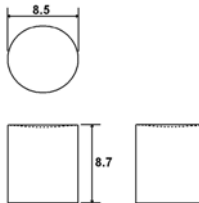

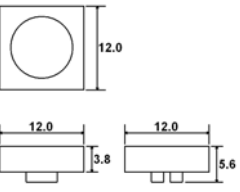

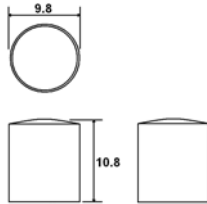

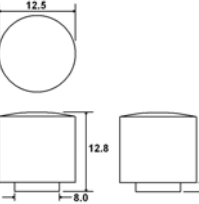

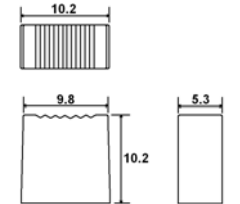

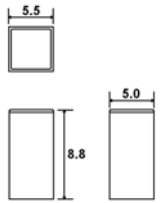

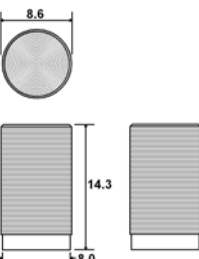

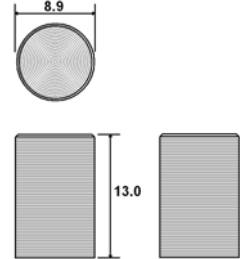

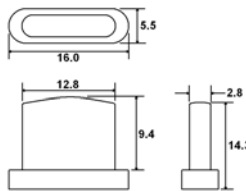
## TERMINATION



## CAP OPTIONS ←FOR Z ACTUATOR

					
<p><b>C01_</b> 1 = White, 2 = Black, 3 = Red, 9 = Light Gray Contact Factory for other available colors</p>		<p><b>C02_</b> 1 = White, 2 = Black, 3 = Red, 9 = Light Gray Contact Factory for other available colors</p>		<p><b>C03_</b> 1 = White, 2 = Black, 3 = Red, 9 = Light Gray Contact Factory for other available colors</p>	
					
<p><b>C04_</b> 1 = White, 2 = Black, 3 = Red, 9 = Light Gray Contact Factory for other available colors</p>		<p><b>C05_</b> 1 = White, 2 = Black, 3 = Red, 9 = Light Gray Contact Factory for other available colors</p>			

## CAP OPTIONS ←FOR Y ACTUATOR

					
<p><b>C11_</b> 1 = White, 2 = Black, 3 = Red Contact Factory for other available colors</p>		<p><b>C12_</b> 1 = White, 2 = Black, 3 = Red Contact Factory for other available colors</p>		<p><b>C13_</b> 1 = White, 2 = Black, 3 = Red Contact Factory for other available colors</p>	
					
<p><b>C14_</b> 1 = White, 2 = Black, 3 = Red Contact Factory for other available colors</p>		<p><b>C15_</b> 2 = Black, 0 = Clear Contact Factory for other available colors</p>		<p><b>C16_</b> 1 = White, 2 = Black, 3 = Red, 7 = Blue Contact Factory for other available colors</p>	
					
<p><b>C17_</b> 2 = Black, 0 = Clear Contact Factory for other available colors</p>		<p><b>C18_</b> 1 = White, 2 = Black, 9 = Light Gray Contact Factory for other available colors</p>		<p><b>C19_</b> 1 = White, 2 = Black, 3 = Red, 8 = Dark Gray Contact Factory for other available colors</p>	
					
<p><b>C22_</b> 2 = Black, 8 = Dark Gray, 9 = Light Gray Contact Factory for other available colors</p>		<p><b>C23_</b> 0 = Metallic Contact Factory for other available colors</p>		<p><b>C24_</b> 0 = Metallic Contact Factory for other available colors</p>	
					
<p><b>C25_</b> 2 = Black, 8 = Dark Gray, 9 = Light Gray Contact Factory for other available colors</p>					