

FEATURES AND SPECIFICATIONS

Features and Benefits

- Sizes 2 to 9 circuits
- Other plating options available

Reference Information

Packaging: Bag
 UL File No.: E29179
 CSA File No.: LR19980
 Mates With: 5197-N housing
 Designed In: Millimeters

Electrical

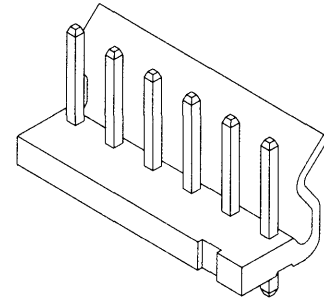
Voltage: 250V
 Current: 7.0A
 Contact Resistance: 10mΩ max.
 Dielectric Withstanding Voltage: 1500V AC/1 min.
 Insulation Resistance: 1000 MΩ min.

Physical

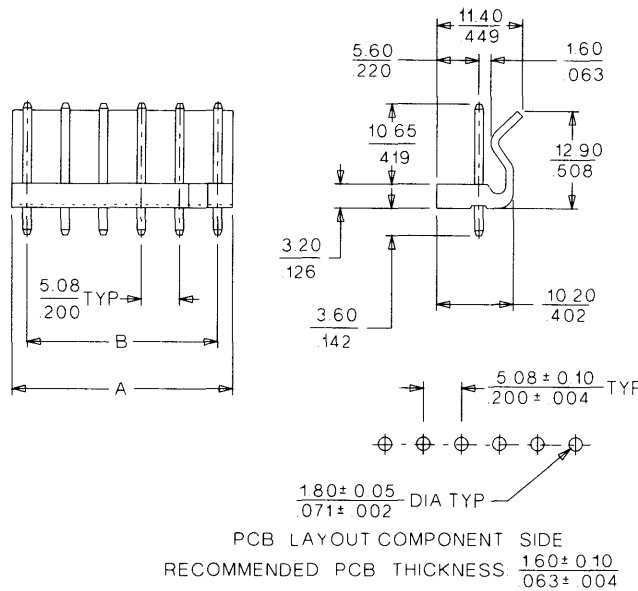
Housing: 6/6 nylon, UL 94V-2
 Contact: Brass, 1.14mm (.045") square
 Plating: Tin
 Operating Temperature: -40 to +105°C

molex® 5.08mm (.200") Pitch SPOX™ Header

5281-NA Vertical Friction Lock



CATALOG DRAWING (FOR REFERENCE ONLY)



ORDERING INFORMATION AND DIMENSIONS

| Circuits | Order No. | Dimension | |
|----------|------------|---------------|---------------|
| | | A | B |
| 2 | 10-32-1021 | 9.08 (.357) | 5.08 (.199) |
| 3 | 10-32-1031 | 14.16 (.557) | 10.16 (.399) |
| 4 | 10-32-1041 | 19.24 (.757) | 15.24 (.599) |
| 5 | 10-32-1051 | 24.32 (.957) | 20.32 (.799) |
| 6 | 10-32-1061 | 29.40 (1.157) | 25.40 (1.000) |
| 7 | 10-32-1071 | 34.48 (1.357) | 30.48 (1.199) |
| 8 | 10-32-1081 | 39.56 (1.557) | 35.56 (1.399) |
| 9 | 10-32-1091 | 44.64 (1.757) | 40.64 (1.599) |

D
 3.00 to 7.92mm (.118 to .312") Pitch