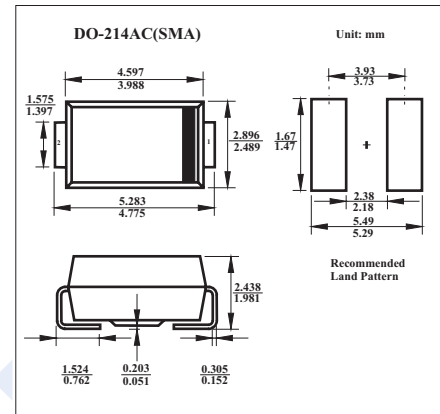


## 1.0 A Fast Recovery Rectifiers

## KR107(FR107)

## ■ Features

- High Reliability and Low leakage
- Fast Switching for High Efficiency

■ Absolute Maximum Ratings  $T_a = 25^\circ\text{C}$ 

Parameter	Symbol	Rating	Unit
Maximum repetitive peak reverse voltage	$V_{RRM}$	600	V
Maximum RMS voltage	$V_{RMS}$	420	V
Maximum DC blocking voltage	$V_{DC}$	600	V
Maximum average forward output rectified current at $T_A=55^\circ\text{C}$	$I_{(AV)}$	1.0	A
Peak forward surge current single half sine-wave superimposed on rated load (JEDEC Method)	$I_{FSM}$	30	A
Maximum Forward Voltage at 1.0A	$V_F$	1.3	V
Maximum DC reverse current $T_A=25^\circ\text{C}$	$I_R$	5	$\mu\text{A}$
at Rated DC reverse current $T_A=100^\circ\text{C}$		100	
Typical Thermal Resistance	$R_{\theta JA}$	50	K/W
Typical Junction Capacitance	$C_J$	15	pF
Maximum Reverse Recovery Time *	$T_{rr}$	500	ns
Storage and Operating Temperature	$T_J, T_{STG}$	-65 to +175	$^\circ\text{C}$

\*Measured with  $I_F=0.5\text{A}, I_R=1.0\text{A}, I_{RR}=0.25\text{A}$

## ■ Marking

Marking	ES1J
---------	------