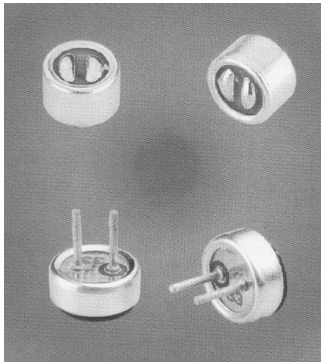


Soberton Inc.

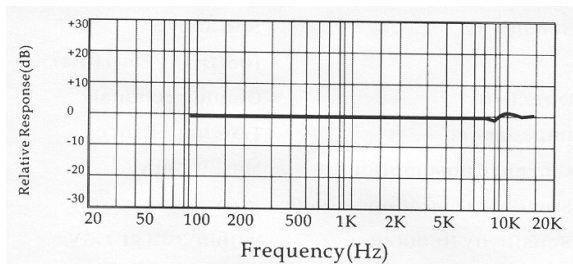
EM4530 & EM4530P-C

Omnidirectional Electret Condenser Microphone

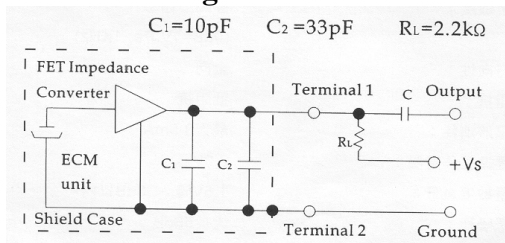


Sensitivity	OdB = 1V/Pa. 1KHz
Directivity	Omnidirectional
Impedance	Low Impedance
Current Consumption	Max. 0.5mA
Standard Operation Voltage	2.0V
Sensitivity Reduction	Within -3dB at 1.5V
S/N Ratio	More than 60dB
Sensitivity Range	-42 ± 4dB, -44 ± 4dB, -46 ± 4dB, -48 ± 4dB

Typical Frequency Response Curve:

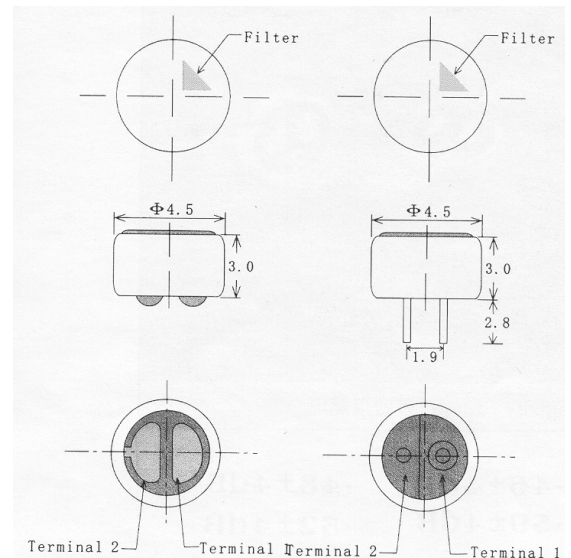


Schematic Diagram:



EM4530

EM4530P-C



Unit: mm