

6

5

4

3

2

1

MATERIAL:

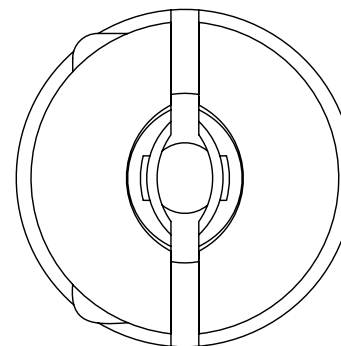
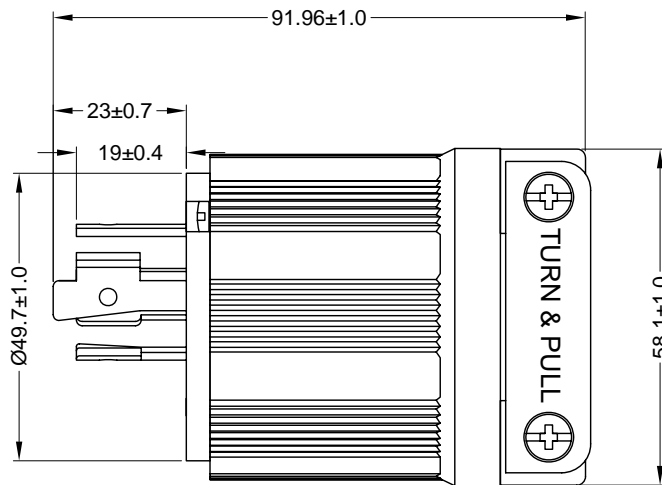
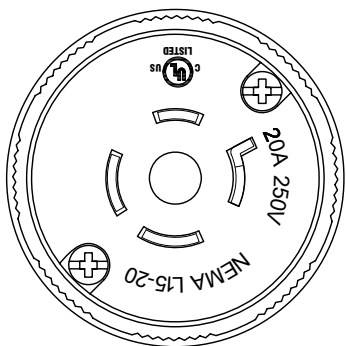
Housing & Cord Clamp: Nylon, color black
Blade Holder & Terminal Retainer: Polycarbonate
Blades: Brass

ELECTRICAL SPECIFICATIONS:

Rated current: 20A
Rated voltage: 250VAC

APPROVALS: 

**RoHS
COMPLIANT**



REV	DATE	CHANGE	CHK	CHK	APPR

TOLERANCE UNLESS OTHERWISE SPECIFIED	
X	± 1
X.X	± 0.4
X.XX	± 0.13

Power Dynamics, Inc.
Phone: 973 560-0019 Whippany, New Jersey Fax: 973 560-0076
PART: NEMA L15-20P; 20A 250V
ASSEMBLY TYPE

DRAWN BY	PB	DATE:	5/7/10
CHECK BY		DATE:	
APPR BY		DATE:	

PART #: PD-L1520P-B		SHEET 1 of 1
SIZE: A	ALL DIMENSIONS FOR REFERENCE ONLY DIMENSIONS ARE IN MILLIMETERS	REV:
SCALE: NTS		

6

5

4

3

2

1