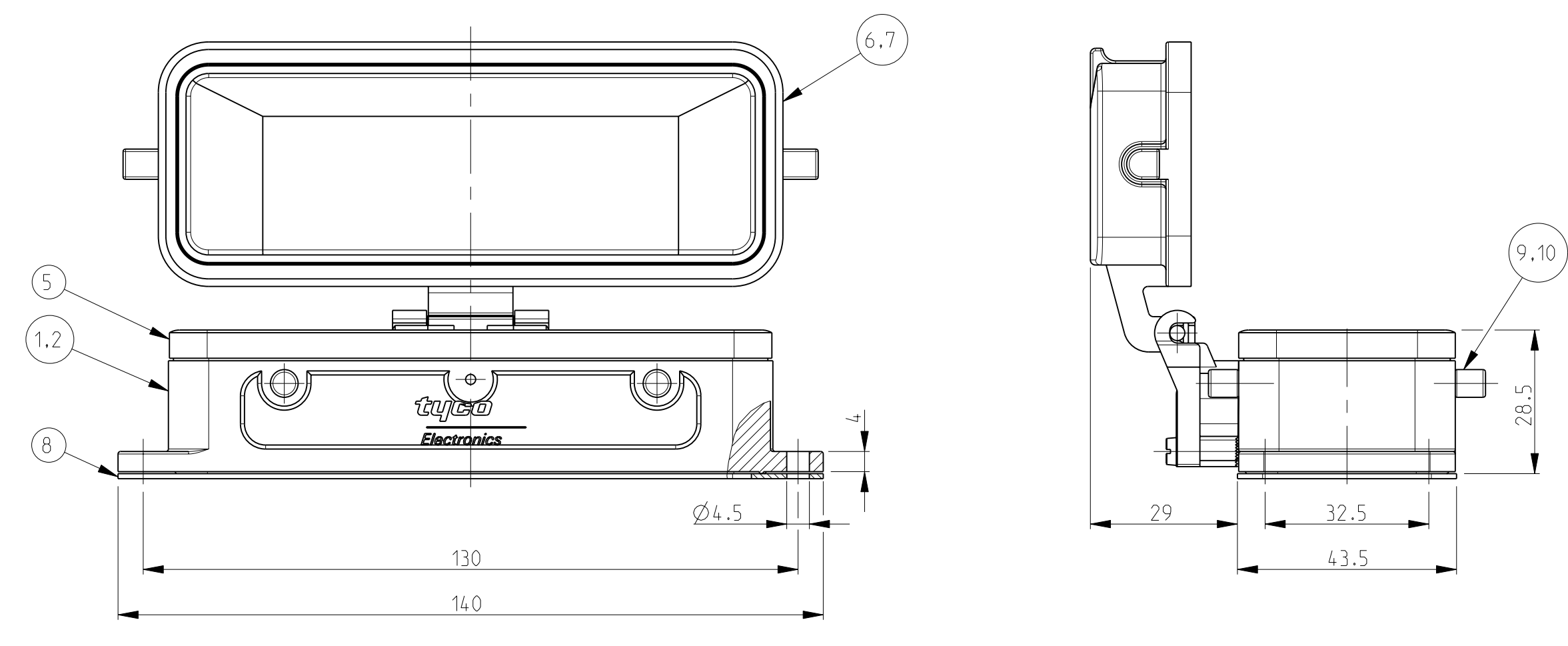
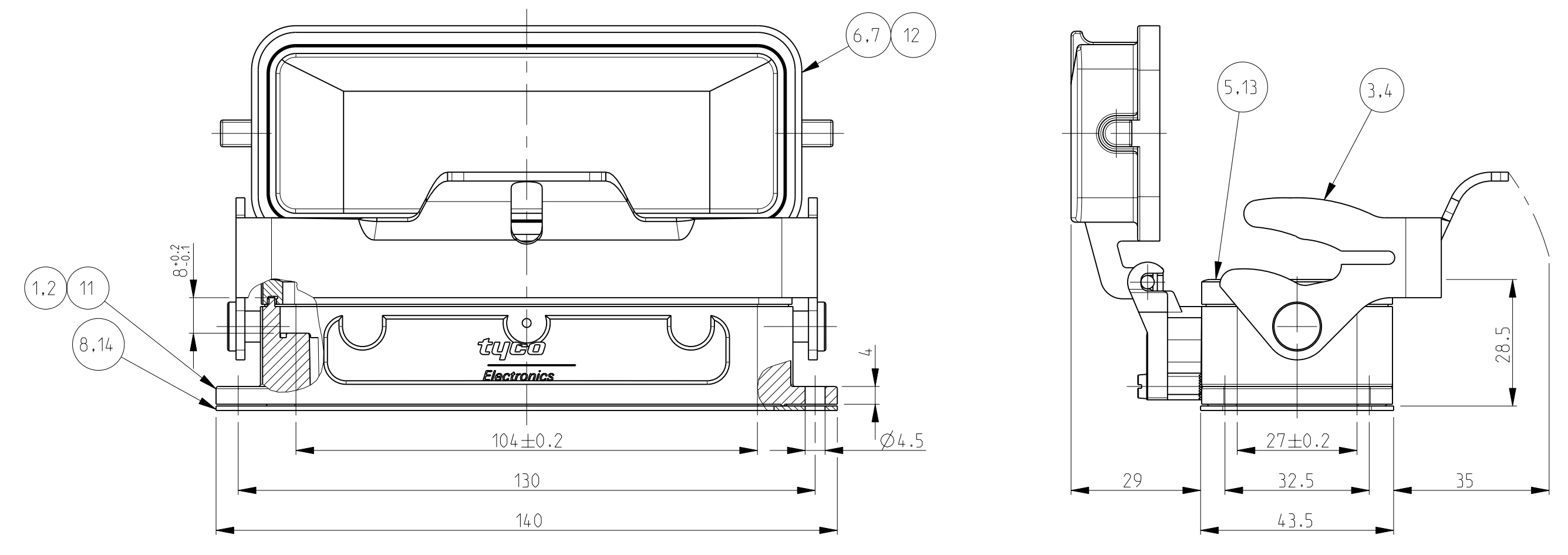


PN 1-6 & 2-6

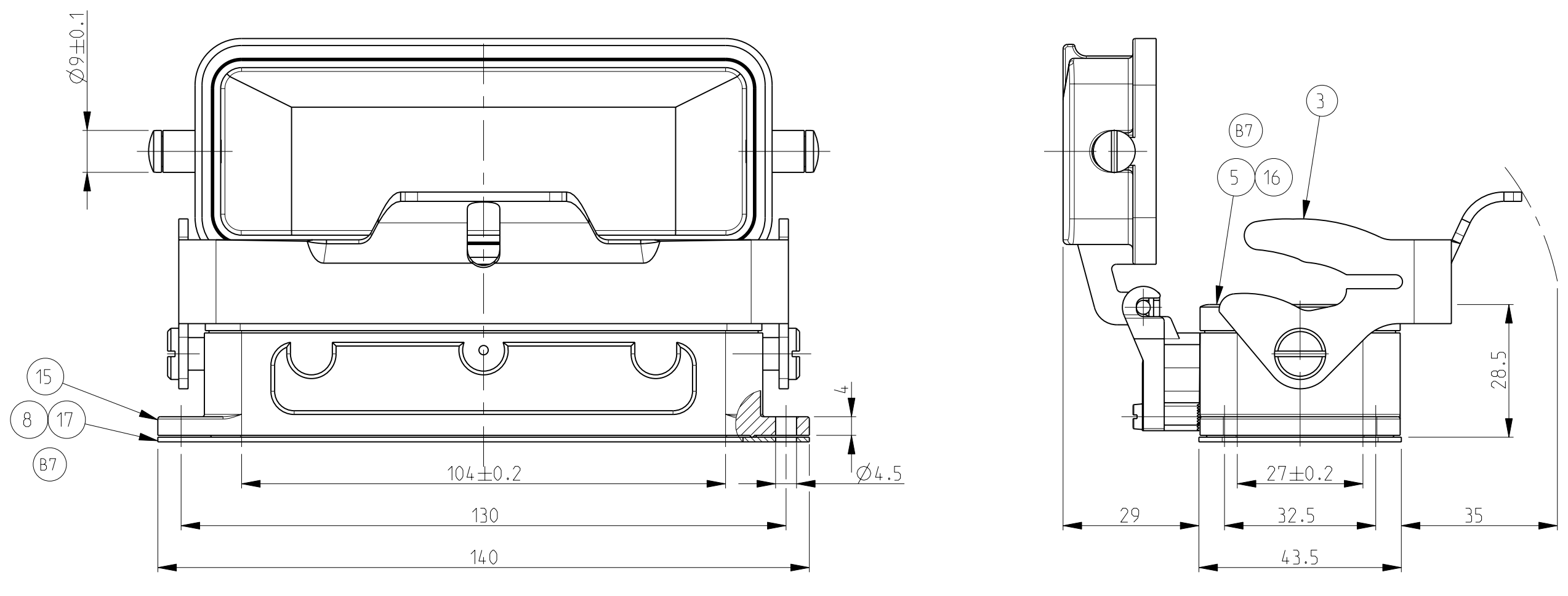


PN 1-2.2-2.0-2 & 0-3

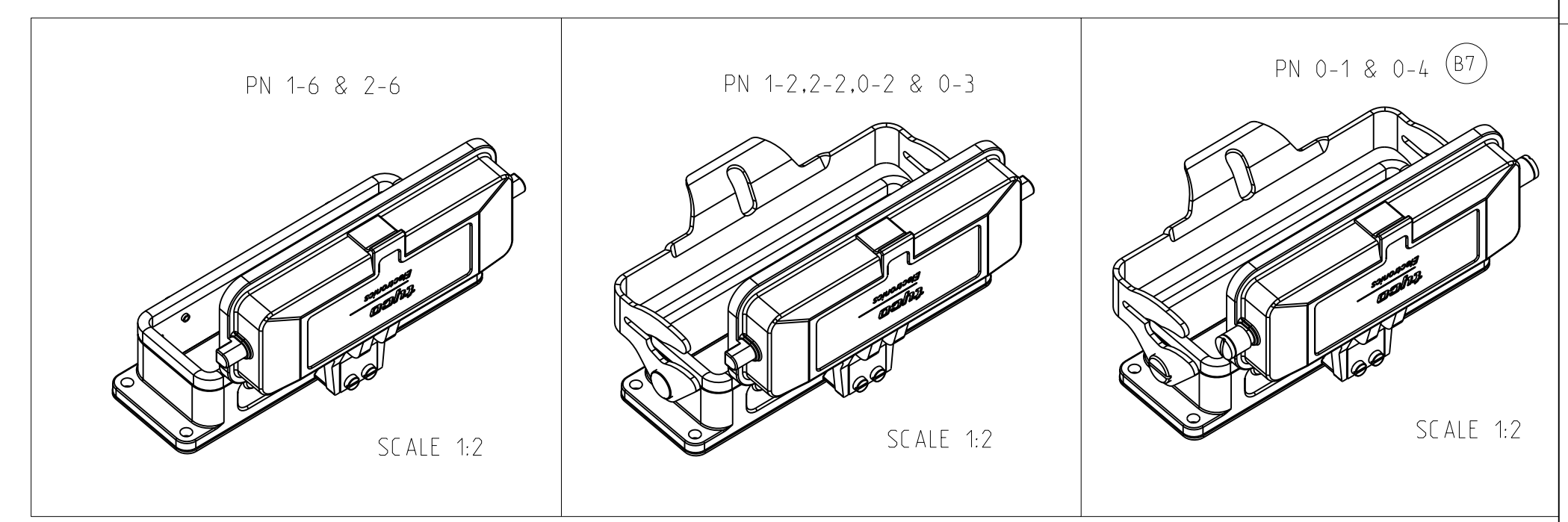


LOC	DIST	REVISIONS					
A	I	P	LTB	DESCRIPTION	DATE	DWN	APVD
		B7		RELEASED AS PER ECR 08-031365	15-JAN-09	CJ	TS
		B6		RELEASED AS PER ECR-07-030418	17.12.07	SP	TS

PN 0-1 & 0-4 (B7)

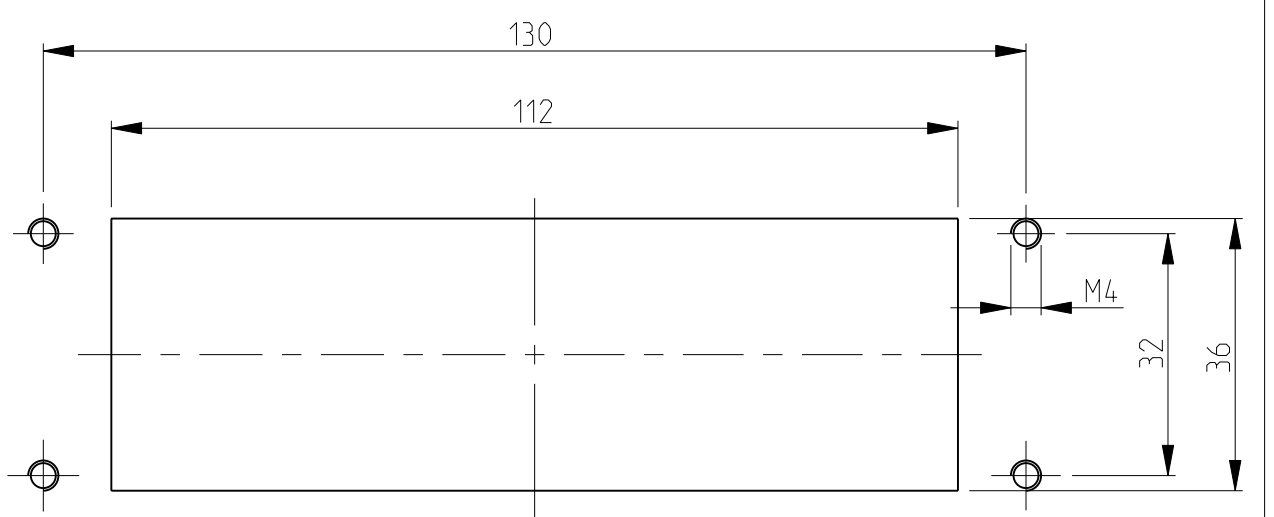
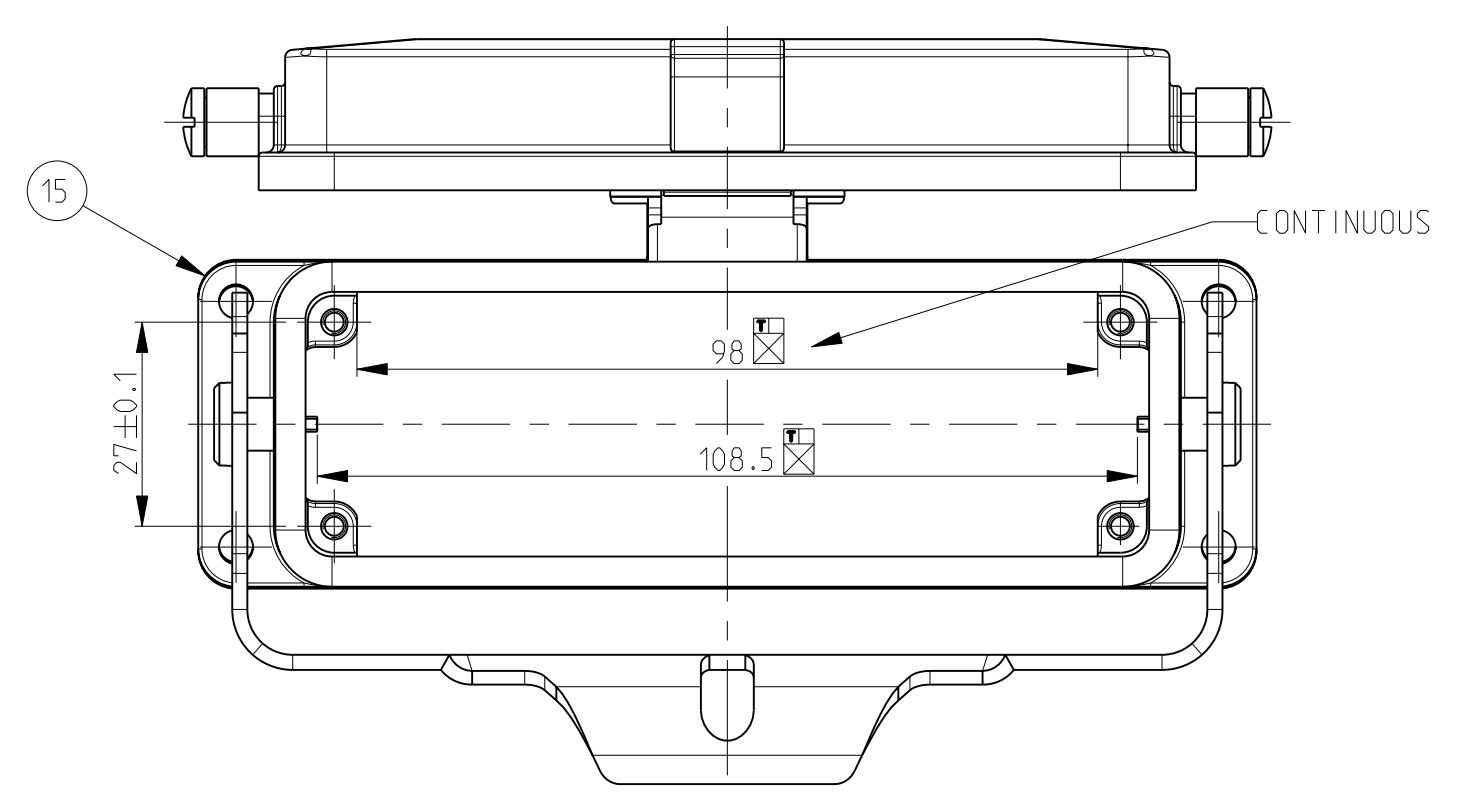


- NOTES
- 1 MATERIAL: HOUSING-ALUMINIUM DIECASTING ALLOY
SEALS: NEOPRENE
 - 2 SURFACE: VARNISH -ALUMINIUM OXIDE +
VARNISH BLACK
-GREY
 - 3 VARNISH ON THE INSIDE NOT NECESSARY
 - 4 WITHOUT TE LOGO
 - 5 PACKAGING QUANTITY: 5 PIECES IN A BOX



LANDING MILLED OFF

PANEL CUT-OUT



QTY	DESCRIPTION	MATERIAL	SURFACE	COLOR	ITEM NO	REMARKS
1	FLANGE SEAL	VITON		BLACK	17	
1	PROFILE SEAL	VITON		BLACK	16	
1	SURFACE MOUNTED HOUSING BOTTOM ENTRY HB	ALUMINIUM		GREY	15	CONDUCTIVE
1	FLANGE SEAL	NEOPRENE		BLACK	14	CONDUCTIVE
1	PROFILE SEAL	NEOPRENE		BLACK	13	
1	COVER HB	ALUMINIUM	Chromit AL PASSIVATION	BLACK	12	
1	SURFACE MOUNTED HOUSING BOTTOM ENTRY HB	ALUMINIUM	Chromit AL PASSIVATION	BLACK	11	
	VS-CLIP BOLT	STAINLESS STEEL	BLANK		10	
	VS-CLIP BOLT	STEEL	ZINC PLATED	BLUE	9	
	FLANGE SEAL	NEOPRENE		BLACK	8	
	COVER HB-K	ALUMINIUM	ALUMINIUM OXIDE	BLACK	7	
1	COVER HB	ALUMINIUM		GREY	6	
	PROFILE SEAL	NEOPRENE		BLACK	5	
	LB-SIDE CLIP	STAINLESS STEEL	BLANK		4	
1	LB-SIDE CLIP	STEEL	ZINC PLATED	BLUE	3	
	SURFACE MOUNTED HOUSING BOTTOM ENTRY HB-K	ALUMINIUM	ALUMINIUM OXIDE	BLACK	2	
	SURFACE MOUNTED HOUSING BOTTOM ENTRY HB	ALUMINIUM		GREY	1	

QTY	DESCRIPTION	MATERIAL	SURFACE	COLOR	ITEM NO	REMARKS		
0-4	0-3	0-1	0-2	2-6	1-6	2-2	1-2	
ORDERING TEXT								
HB-24-AGD-LB-V								
HB-EMV-24-AGD-LB								
HB-24-AGD-LB								
HB-24-AGD-LB								
HB-K-24-AGD								
HB-24-AGD								
HB-K-24-AGD-LB								
HB-24-AGD-LB								

DIMENSIONS: mm
 TOLERANCES UNLESS OTHERWISE SPECIFIED:
 0-4: ±0.1
 1-6: ±0.2
 2-2: ±0.1
 1-2: ±0.1
 MATERIAL: 1
 FINISH: 2
 DWN: Schneider 03.04.2000
 CHK: Schneider 03.04.2000
 APVD: -
 NAME: SURFACE MOUNTED HOUSING BOTTOM ENTRY HB-24.AGD
 PRODUCT SPEC: 108-74001/108-74003
 APPLICATION SPEC: 114-74001/114-74004
 WEIGHT: -
 CUSTOMER DRAWING: A | 00779 C=1102340
 SCALE: 1:1 SHEET: 1 OF 1 REV: B7