

TOSHIBA Transistor Silicon NPN Epitaxial Planar Type

# 2SC5097

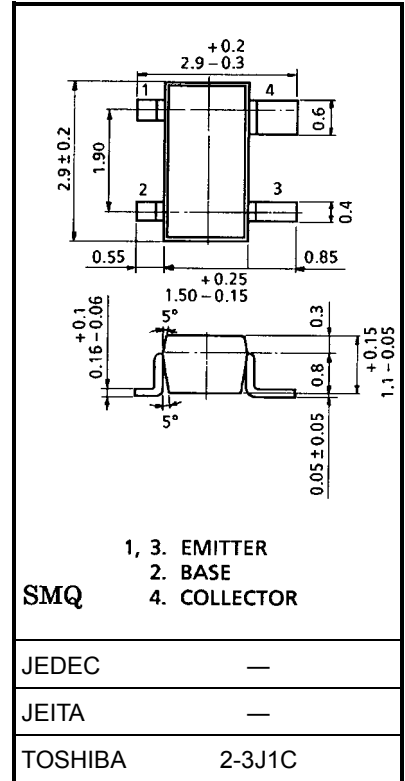
## VHF~UHF Band Low Noise Amplifier Applications

Unit: mm

- Low noise figure, high gain.
- $NF = 1.8\text{dB}$ ,  $|S_{21e}|^2 = 10\text{dB}$  ( $f = 2\text{GHz}$ )

### Maximum Ratings ( $T_a = 25^\circ\text{C}$ )

Characteristics	Symbol	Rating	Unit
Collector-base voltage	$V_{CBO}$	20	V
Collector-emitter voltage	$V_{CEO}$	10	V
Emitter-base voltage	$V_{EBO}$	1.5	V
Base current	$I_B$	7	mA
Collector current	$I_C$	15	mA
Collector power dissipation	$P_C$	150	mW
Junction temperature	$T_j$	125	$^\circ\text{C}$
Storage temperature range	$T_{stg}$	-55~125	$^\circ\text{C}$



### Microwave Characteristics ( $T_a = 25^\circ\text{C}$ )

Weight: 0.012 g (typ.)

Characteristics	Symbol	Test Condition	Min	Typ.	Max	Unit
Transition frequency	$f_T$	$V_{CE} = 6\text{V}$ , $I_C = 7\text{mA}$	7	10	—	GHz
Insertion gain	$ S_{21e} ^2$ (1)	$V_{CE} = 6\text{V}$ , $I_C = 7\text{mA}$ , $f = 1\text{GHz}$	12.5	15.5	—	dB
	$ S_{21e} ^2$ (2)	$V_{CE} = 6\text{V}$ , $I_C = 7\text{mA}$ , $f = 2\text{GHz}$	7	10	—	
Noise figure	NF (1)	$V_{CE} = 6\text{V}$ , $I_C = 3\text{mA}$ , $f = 1\text{GHz}$	—	1.3	2.5	dB
	NF (2)	$V_{CE} = 6\text{V}$ , $I_C = 3\text{mA}$ , $f = 2\text{GHz}$	—	1.8	3.0	

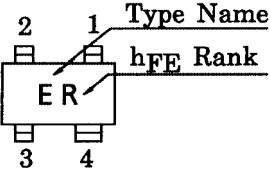
### Electrical Characteristics ( $T_a = 25^\circ\text{C}$ )

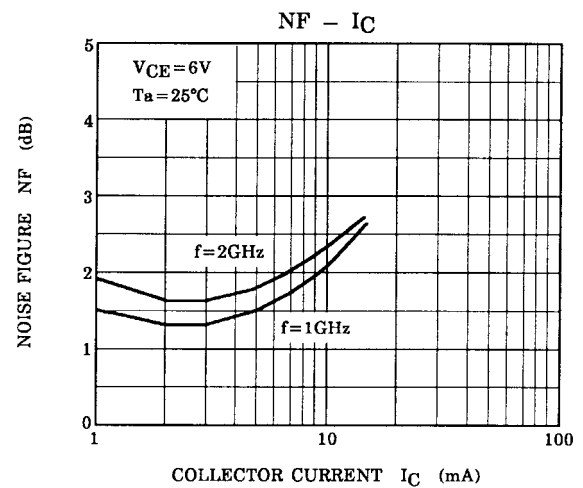
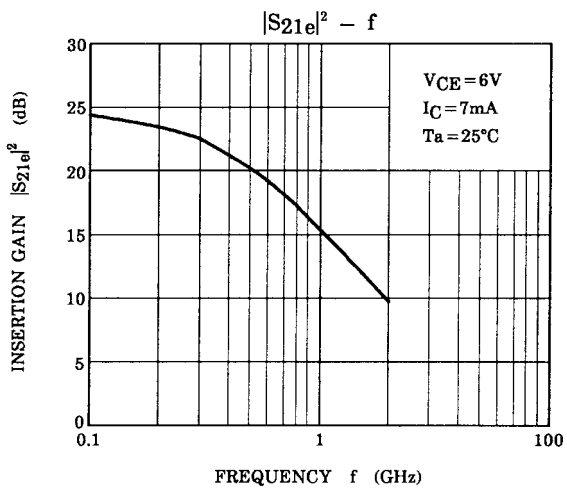
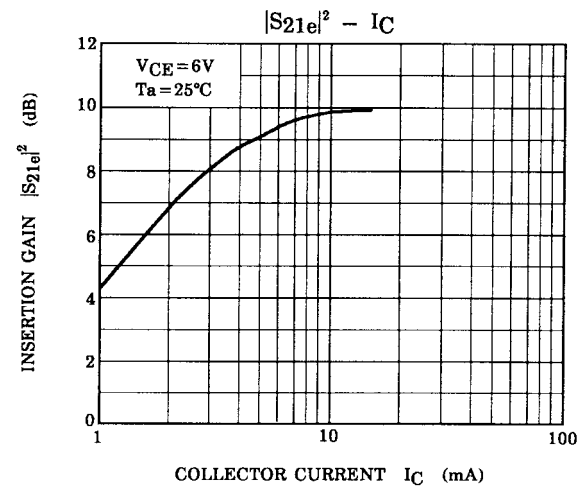
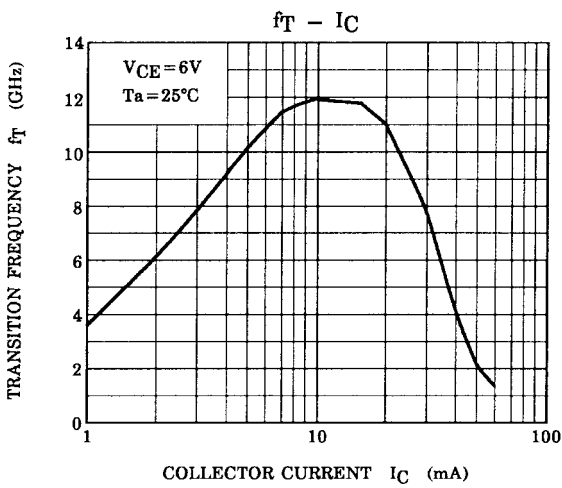
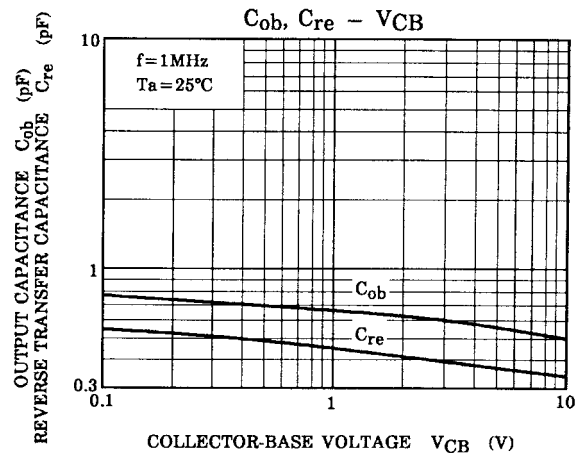
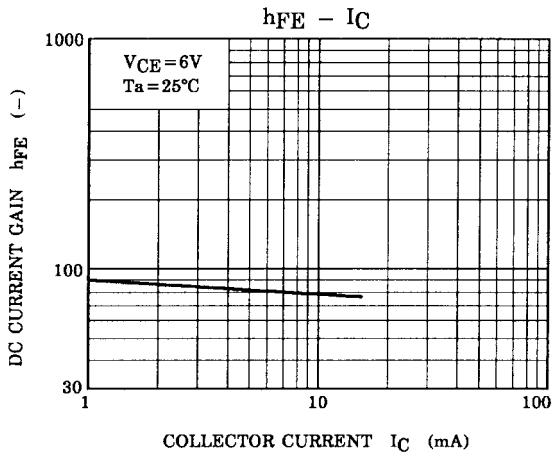
Characteristics	Symbol	Test Condition	Min	Typ.	Max	Unit
Collector cut-off current	$I_{CBO}$	$V_{CB} = 10\text{V}$ , $I_E = 0$	—	—	1	$\mu\text{A}$
Emitter cut-off current	$I_{EBO}$	$V_{EB} = 1\text{V}$ , $I_C = 0$	—	—	1	$\mu\text{A}$
DC current gain	$h_{FE}$ (Note 1)	$V_{CE} = 6\text{V}$ , $I_C = 7\text{mA}$	50	—	160	
Output capacitance	$C_{ob}$	$V_{CB} = 10\text{V}$ , $I_E = 0$ , $f = 1\text{MHz}$ (Note 2)	—	0.5	0.9	pF
Reverse transfer capacitance	$C_{re}$		—	0.35	0.85	pF

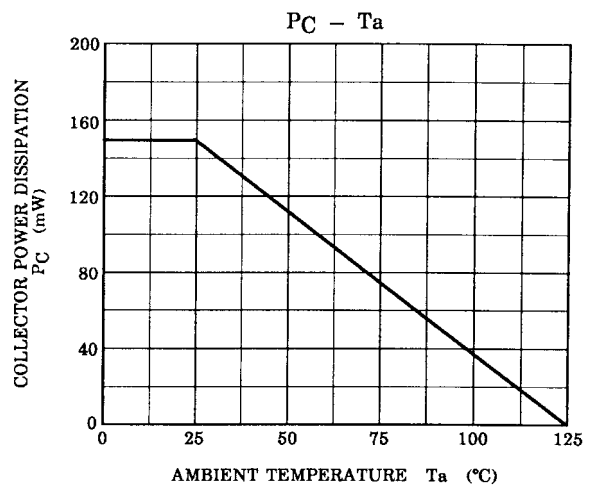
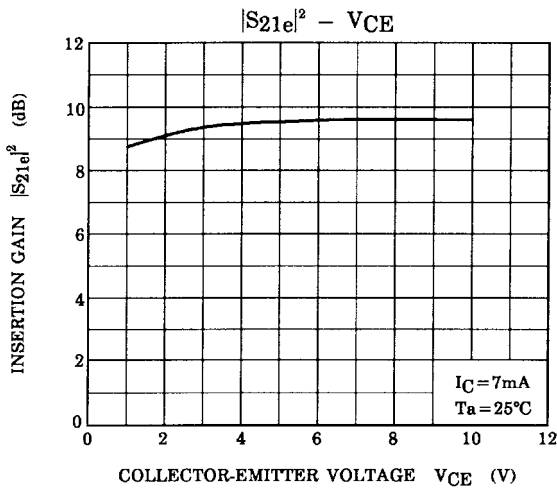
Note 1:  $h_{FE}$  classification R: 50~100, O: 80~160

Note 2:  $C_{re}$  is measured by 3 terminal method with capacitance bridge.

**Marking**







**S-Parameter  $Z_O = 50 \Omega, T_a = 25^\circ\text{C}$**

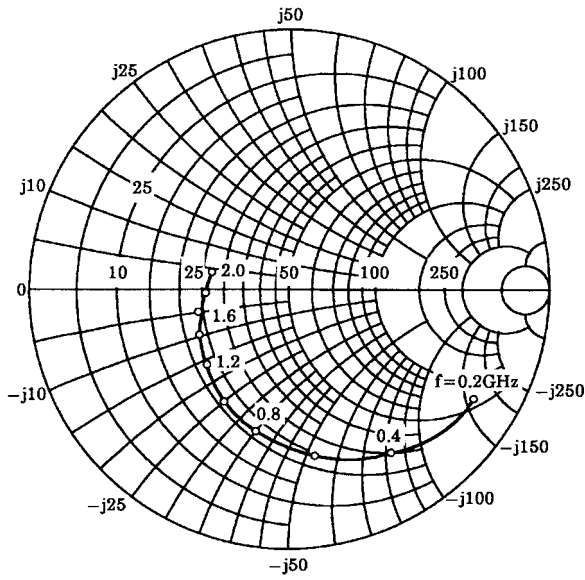
**$V_{CE} = 6 \text{ V}, I_C = 3 \text{ mA}$**

Frequency (MHz)	S11		S21		S12		S22	
	Mag.	Ang.	Mag.	Ang.	Mag.	Ang.	Mag.	Ang.
200	0.831	-29.9	8.685	158.4	0.040	75.6	0.961	-20.4
400	0.744	-57.7	7.706	139.0	0.071	63.6	0.871	-38.7
600	0.653	-81.5	6.564	123.7	0.093	54.8	0.772	-54.2
800	0.565	-102.8	5.604	111.1	0.108	48.4	0.681	-67.0
1000	0.501	-121.2	4.788	101.3	0.117	45.1	0.608	-77.4
1200	0.441	-137.8	4.120	92.9	0.124	42.7	0.547	-86.4
1400	0.396	-153.1	3.583	85.9	0.129	42.0	0.496	-94.0
1600	0.363	-166.2	3.156	80.3	0.135	42.0	0.459	-100.7
1800	0.330	-179.2	2.820	75.4	0.141	42.7	0.430	-106.1
2000	0.314	-167.4	2.533	70.7	0.147	43.5	0.407	-110.8

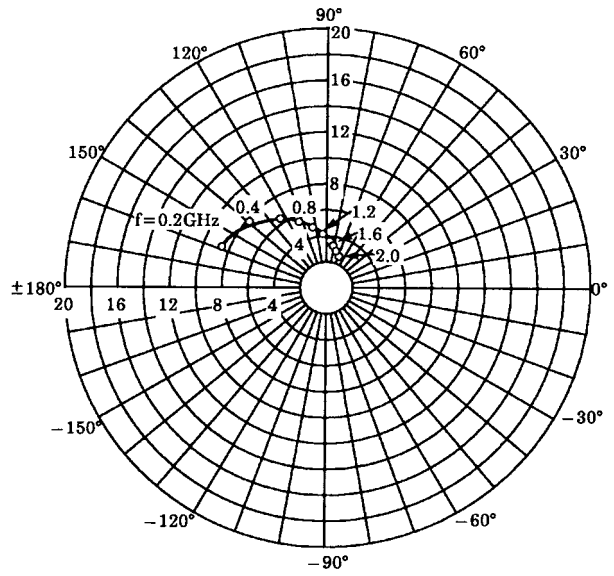
**$V_{CE} = 6 \text{ V}, I_C = 10 \text{ mA}$**

Frequency (MHz)	S11		S21		S12		S22	
	Mag.	Ang.	Mag.	Ang.	Mag.	Ang.	Mag.	Ang.
200	0.696	-46.2	15.000	148.1	0.036	70.3	0.893	-29.1
400	0.570	-83.4	11.651	125.1	0.058	59.4	0.726	-50.2
600	0.488	-111.0	8.996	110.5	0.072	54.8	0.596	-64.8
800	0.432	-133.1	7.207	100.0	0.083	52.8	0.508	-76.0
1000	0.403	-150.9	5.938	91.9	0.093	53.0	0.446	-85.0
1200	0.378	-167.1	4.989	85.3	0.101	53.1	0.401	-92.9
1400	0.364	177.9	4.292	79.9	0.110	54.0	0.363	-100.0
1600	0.348	164.4	3.761	75.3	0.120	54.7	0.336	-105.7
1800	0.339	151.5	3.353	71.1	0.130	55.7	0.314	-110.2
2000	0.334	138.6	3.015	67.2	0.140	56.2	0.296	-114.1

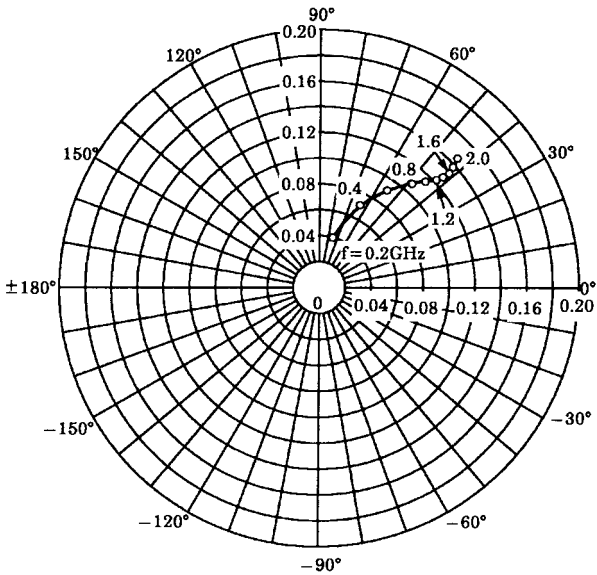
**S11e**  
 $V_{CE} = 6V$   
 $I_C = 3mA$   
 $T_a = 25^\circ C$   
 (Unit :  $\Omega$ )



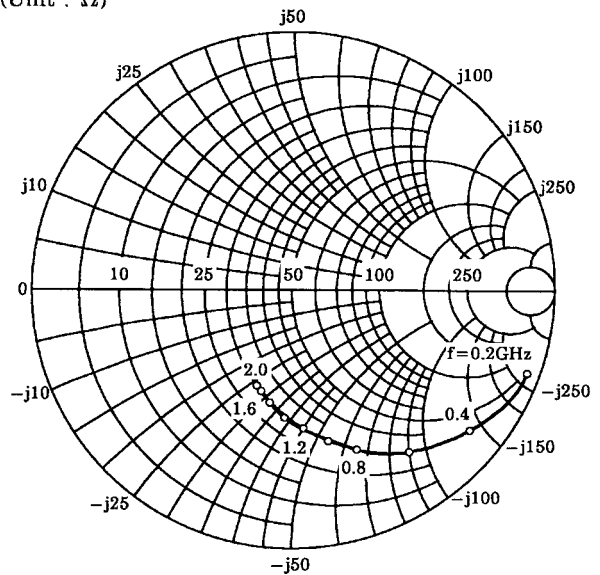
**S21e**  
 $V_{CE} = 6V$   
 $I_C = 3mA$   
 $T_a = 25^\circ C$



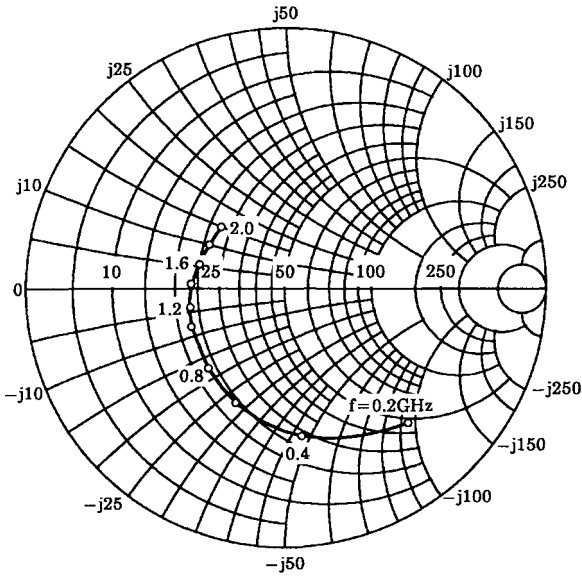
**S12e**  
 $V_{CE} = 6V$   
 $I_C = 3mA$   
 $T_a = 25^\circ C$



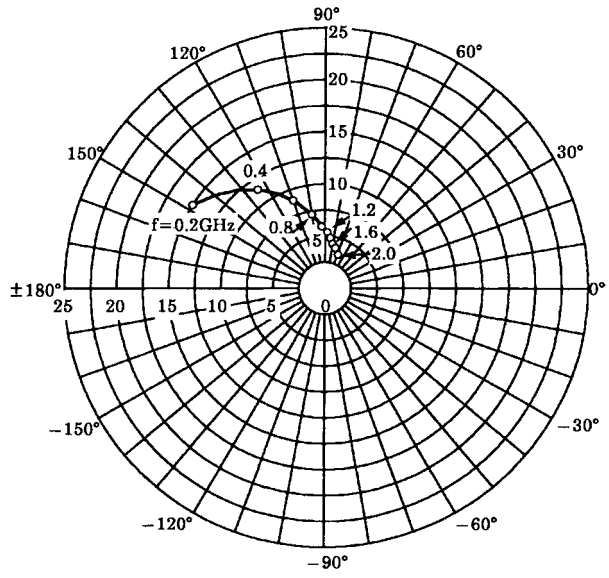
**S22e**  
 $V_{CE} = 6V$   
 $I_C = 3mA$   
 $T_a = 25^\circ C$   
 (Unit :  $\Omega$ )



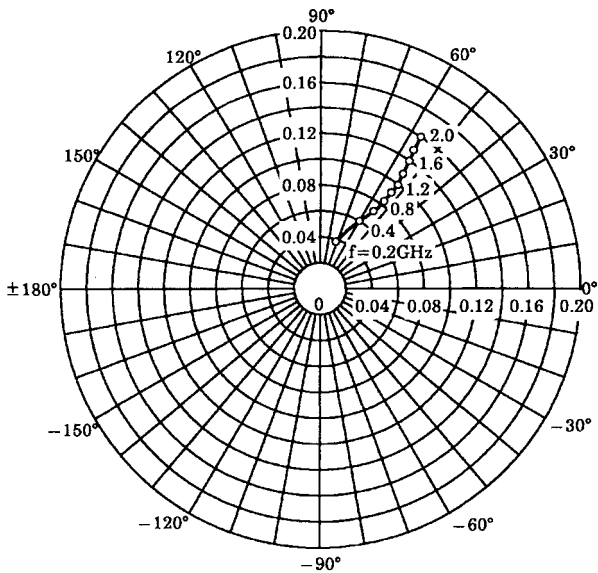
S11e  
 VCE = 6V  
 IC = 7mA  
 Ta = 25°C  
 (Unit : Ω)



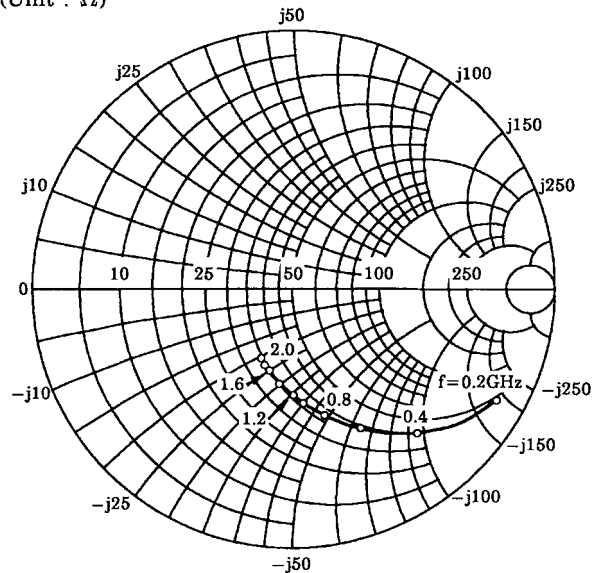
S21e  
 VCE = 6V  
 IC = 7mA  
 Ta = 25°C



S12e  
 VCE = 6V  
 IC = 7mA  
 Ta = 25°C



S22e  
 VCE = 6V  
 IC = 7mA  
 Ta = 25°C  
 (Unit : Ω)



**RESTRICTIONS ON PRODUCT USE**

000707EAA

- TOSHIBA is continually working to improve the quality and reliability of its products. Nevertheless, semiconductor devices in general can malfunction or fail due to their inherent electrical sensitivity and vulnerability to physical stress. It is the responsibility of the buyer, when utilizing TOSHIBA products, to comply with the standards of safety in making a safe design for the entire system, and to avoid situations in which a malfunction or failure of such TOSHIBA products could cause loss of human life, bodily injury or damage to property.  
In developing your designs, please ensure that TOSHIBA products are used within specified operating ranges as set forth in the most recent TOSHIBA products specifications. Also, please keep in mind the precautions and conditions set forth in the "Handling Guide for Semiconductor Devices," or "TOSHIBA Semiconductor Reliability Handbook" etc..
- The TOSHIBA products listed in this document are intended for usage in general electronics applications (computer, personal equipment, office equipment, measuring equipment, industrial robotics, domestic appliances, etc.). These TOSHIBA products are neither intended nor warranted for usage in equipment that requires extraordinarily high quality and/or reliability or a malfunction or failure of which may cause loss of human life or bodily injury ("Unintended Usage"). Unintended Usage include atomic energy control instruments, airplane or spaceship instruments, transportation instruments, traffic signal instruments, combustion control instruments, medical instruments, all types of safety devices, etc.. Unintended Usage of TOSHIBA products listed in this document shall be made at the customer's own risk.
- The information contained herein is presented only as a guide for the applications of our products. No responsibility is assumed by TOSHIBA CORPORATION for any infringements of intellectual property or other rights of the third parties which may result from its use. No license is granted by implication or otherwise under any intellectual property or other rights of TOSHIBA CORPORATION or others.
- The information contained herein is subject to change without notice.