



digital dna[™]

*MC68HC11P2
MC68HC711P2*

Technical Data

*M68HC11
Microcontrollers*

*MC68HC11P2/D
Rev. 1, 4/2002*

WWW.MOTOROLA.COM/SEMICONDUCTORS

MC68HC11P2

MC68HC711P2

Technical Data — Rev 1.0

Motorola reserves the right to make changes without further notice to any products herein. Motorola makes no warranty, representation or guarantee regarding the suitability of its products for any particular purpose, nor does Motorola assume any liability arising out of the application or use of any product or circuit, and specifically disclaims any and all liability, including without limitation consequential or incidental damages. "Typical" parameters which may be provided in Motorola data sheets and/or specifications can and do vary in different applications and actual performance may vary over time. All operating parameters, including "Typicals" must be validated for each customer application by customer's technical experts. Motorola does not convey any license under its patent rights nor the rights of others. Motorola products are not designed, intended, or authorized for use as components in systems intended for surgical implant into the body, or other applications intended to support or sustain life, or for any other application in which the failure of the Motorola product could create a situation where personal injury or death may occur. Should Buyer purchase or use Motorola products for any such unintended or unauthorized application, Buyer shall indemnify and hold Motorola and its officers, employees, subsidiaries, affiliates, and distributors harmless against all claims, costs, damages, and expenses, and reasonable attorney fees arising out of, directly or indirectly, any claim of personal injury or death associated with such unintended or unauthorized use, even if such claim alleges that Motorola was negligent regarding the design or manufacture of the part. Motorola, Inc. is an Equal Opportunity/Affirmative Action Employer.



List of Paragraphs

List of Paragraphs	5
Table of Contents	7
List of Figures	13
List of Tables	15
Section 1. General Description	17
Section 2. Pin Descriptions	21
Section 3. Operating Modes and On-Chip Memory	41
Section 4. Parallel Input/Output	73
Section 5. Serial Communications Interface (SCI)	87
Section 6. Motorola Interconnect Bus (MI BUS)	109
Section 7. Serial Peripheral Interface (SPI)	125
Section 8. Timing System	137
Section 9. Analog-to-Digital Converter	173
Section 10. Resets and Interrupts	185
Section 11. CPU Core and Instruction Set	213
Section 12. Electrical Specifications	231
Section 13. Mechanical Data	247
Section 14. Ordering Information	251
Section 15. Development Support	253
Glossary	255

Revision History265

Table of Contents

List of Paragraphs

Table of Contents

List of Figures

List of Tables

Section 1. General Description

1.1	Contents	17
1.2	Introduction	17
1.3	Features	18

Section 2. Pin Descriptions

2.1	Contents	21
2.2	Introduction	21
2.3	VDD and VSS	22
2.4	$\overline{\text{RESET}}$	23
2.5	Crystal driver and external clock input (XTAL, EXTAL)	24
2.6	E clock output (E)	26
2.7	Phase-locked loop (XFC, VDDSYN)	26
2.8	Interrupt request ($\overline{\text{IRQ}}$)	32
2.9	Nonmaskable interrupt ($\overline{\text{XIRQ/VPPE}}$)	32
2.10	MODA and MODB (MODA/ $\overline{\text{LIR}}$ and MODB/VSTBY)	33

2.11	VRH and VRL	34
2.12	PG7/R \overline{W}	34
2.13	Port signals	34

Section 3. Operating Modes and On-Chip Memory

3.1	Contents	41
3.2	Introduction	41
3.3	Operating modes	41
3.4	On-chip memory	44
3.5	System initialization	51
3.6	EPROM, EEPROM and CONFIG register	64

Section 4. Parallel Input/Output

4.1	Contents	73
4.2	Introduction	73
4.3	Port A	74
4.4	Port B	75
4.5	Port C	77
4.6	Port D	78
4.7	Port E	79
4.8	Port F	80
4.9	Port G	81
4.10	Port H	82
4.11	Internal pull-up/pull-down resistors	83
4.12	System configuration	84

Section 5. Serial Communications Interface (SCI)

5.1	Contents	87
5.2	Introduction	87
5.3	Data format	88
5.4	Transmit operation	89
5.5	Receive operation	89
5.6	Wakeup feature	91
5.7	SCI error detection	92
5.8	SCI registers	93
5.9	Status flags and interrupts	101
5.10	Additional SCI subsystems	104

Section 6. Motorola Interconnect Bus (MI BUS)

6.1	Contents	109
6.2	Introduction	109
6.3	Push-pull sequence	111
6.4	The push field	112
6.5	The pull field	112
6.6	Biphase coding	113
6.7	Message validation	113
6.8	Interfacing to MI BUS	116
6.9	MI BUS clock rate	117
6.10	SCI/MI BUS2 registers	117
6.11	SCI/MI BUS3 registers	123

Section 7. Serial Peripheral Interface (SPI)

7.1	Contents	125
7.2	Introduction	125
7.3	Functional description	126
7.4	SPI transfer formats	126
7.5	SPI signals	129
7.6	SPI system errors	130
7.7	SPI registers	132

Section 8. Timing System

8.1	Contents	137
8.2	Introduction	137
8.3	Timer structure	139
8.4	Input capture	142
8.5	Output compare	145
8.6	Real-time interrupt	154
8.7	Computer operating properly watchdog function	157
8.8	Pulse accumulator	158
8.9	Pulse-width modulation (PWM) timer	162

Section 9. Analog-to-Digital Converter

9.1	Contents	173
9.2	Introduction	173
9.3	Overview	174
9.4	A/D converter power-up and clock select	178
9.5	Channel assignments	180
9.6	Control, status and results registers	181

9.7	Operation in STOP and WAIT modes	184
-----	--	-----

Section 10. Resets and Interrupts

10.1	Contents	185
10.2	Introduction	185
10.3	Resets.	185
10.4	Effects of reset	192
10.5	Reset and interrupt priority	195
10.6	Interrupts.	200
10.7	Low power operation	203

Section 11. CPU Core and Instruction Set

11.1	Contents	213
11.2	Introduction	213
11.3	Registers.	214
11.4	Data types.	220
11.5	Opcodes and operands	220
11.6	Addressing modes	221
11.7	Instruction set	223

Section 12. Electrical Specifications

12.1	Contents	231
12.2	Introduction	231
12.3	Maximum ratings	232
12.4	Thermal characteristics and power considerations.	233
12.5	Test methods	234
12.6	DC electrical characteristics	235

12.7	Control timing	237
------	--------------------------	-----

Section 13. Mechanical Data

13.1	Contents	247
13.2	Pin assignments	248
13.3	Package dimensions	249

Section 14. Ordering Information

14.1	Contents	251
14.2	Introduction	251

Section 15. Development Support

15.1	Contents	253
15.2	Introduction	253
15.3	EVS — Evaluation system	253

Glossary

Revision History

15.4	Major Changes Between Revision 1.0 and Revision 0.0	265
------	---	-----

List of Figures

Figure	Title	Page
1-1	MC68HC11P2/MC68HC711P2 block diagram	19
2-1	84-pin PLCC/CERQUAD pinout	22
2-2	External reset circuitry	24
2-3	Oscillator connections.	25
2-4	PLL circuit.	27
2-5	RAM stand-by connections.	33
3-1	MC68HC11P2 memory map.	44
3-2	RAM and register overlap.	57
5-1	SCI baud rate generator circuit diagram.	88
5-2	SCI1 block diagram	90
5-3	Interrupt source resolution within SCI.	103
6-1	MI BUS timing.	111
6-2	Biphase coding and error detection	113
6-3	MI BUS block diagram	115
6-4	A typical interface between the MC68HC11P2 and the MI BUS	116
7-1	SPI block diagram.	127
7-2	SPI transfer format	128
8-1	Timer clock divider chains	140
8-2	Capture/compare block diagram.	141
8-3	Pulse accumulator block diagram.	159
8-4	PWM timer block diagram.	164
8-5	PWM duty cycle	170
9-1	A/D converter block diagram	174
9-2	Electrical model of an A/D input pin (in sample mode).	175
9-3	A/D conversion sequence.	177
10-1	Processing flow out of reset (1 of 2).	206
10-2	Processing flow out of reset (2 of 2).	207
10-3	Interrupt priority resolution (1 of 3)	208

List of Figures

10-4	Interrupt priority resolution (2 of 3)	209
10-5	Interrupt priority resolution (3 of 3)	210
10-6	Interrupt source resolution within the SCI subsystem.	211
11-1	Programming model	214
11-2	Stacking operations	216
12-1	Test methods	234
12-2	Timer inputs	237
12-3	Reset timing	238
12-4	Interrupt timing	238
12-5	STOP recovery timing.	239
12-6	WAIT recovery timing	239
12-7	Port read timing diagram	240
12-8	Port write timing diagram	240
12-9	SPI master timing (CPHA = 0)	243
12-10	SPI master timing (CPHA = 1)	243
12-11	SPI slave timing (CPHA = 0)	244
12-12	SPI slave timing (CPHA = 1)	244
12-13	Expansion bus timing	246
13-1	84-pin PLCC/CERQUAD pinout	248
13-2	84-pin PLCC mechanical dimensions.	249
13-3	84-pin CERQUAD mechanical dimensions	250

List of Tables

Table	Title	Page
2-1	Port signal functions	35
3-1	Example bootloader baud rates	43
3-2	Register and control bit assignments	47
3-3	Registers with limited write access	51
3-4	Hardware mode select summary	53
3-5	RAM and register remapping	56
3-6	EEPROM remapping	58
3-7	EEPROM block protect	62
3-8	Erase mode selection	67
4-1	Port configuration	74
5-1	Example SCI baud rate control values	95
7-1	SPI clock rates	133
8-1	Timer resolution and capacity	139
8-2	RTI periodic rates	154
8-3	Pulse accumulator timing	158
8-4	Clock A and clock B prescalers	167
9-1	A/D converter channel assignments	180
10-1	COP timer rate select	187
10-2	Reset cause, reset vector and operating mode	192
10-3	Highest priority interrupt selection	198
10-4	Interrupt and reset vector assignments	199
10-5	Stacking order on entry to interrupts	201
11-1	Reset vector comparison	217
11-2	Instruction set	223
14-1	Ordering information	251
15-1	M68HC11 development tools	253

List of Tables

Section 1. General Description

1.1 Contents

1.2	Introduction	17
1.3	Features	18

1.2 Introduction

The MC68HC11P2 8-bit microcomputer is a member of the M68HC11 family of HCMOS microcomputers. In addition to 32kbytes of ROM, the MC68HC11P2 contains 1 kbyte of RAM and 640 bytes of EEPROM. With its advanced timer and communication features (including MI BUS⁽¹⁾) the MC68HC11P2 is especially suitable for mobile communications and automotive applications.

The MC68HC711P2 is an EPROM version of the MC68HC11P2, with the User ROM replaced by a similar amount of EPROM. All references to the MC68HC11P2 apply equally to the MC68HC711P2, unless otherwise noted. *References specific to the MC68HC711P2 are italicised in the text.*

1. The Motorola interconnect bus (MI BUS) is a serial communications protocol which supports distributed real-time control efficiently and with a high degree of noise immunity. It allows data to be transferred between the MCU and the slave device using only one wire, making this type of communication suitable for medium speed networks requiring very low cost multiplex wiring.

1.3 Features

- Low power, high performance M68HC11 CPU core, with 4MHz bus capability
- Power saving PLL clock circuit, with automatic disable during WAIT mode
- 32kbytes of User ROM (MC68HC11P2); 32 kbytes User EPROM (MC68HC711P2)
- 1 kbyte of RAM
- 640 bytes of byte-erasable User EEPROM, with on-chip charge pump
- Up to 50 general purpose I/O lines, plus up to 12 input-only lines
- Non-multiplexed address and data buses, permitting direct access to the full 64k address map
- 16-bit timer with 3/4 input captures and 4/5 output compares; pulse accumulator and COP watchdog timer
- Three 8- or 9-bit SCI subsystems, two with MI BUS[†] capability
- SPI subsystem, with software selectable MSB/LSB first option
- 8-channel, 8-bit analog-to-digital (A/D) converter
- Four 8-bit PWM timer channels (may be concatenated to form one, or two, 16-bit channels)
- Available in 84-pin PLCC or 84-pin CERQUAD packages

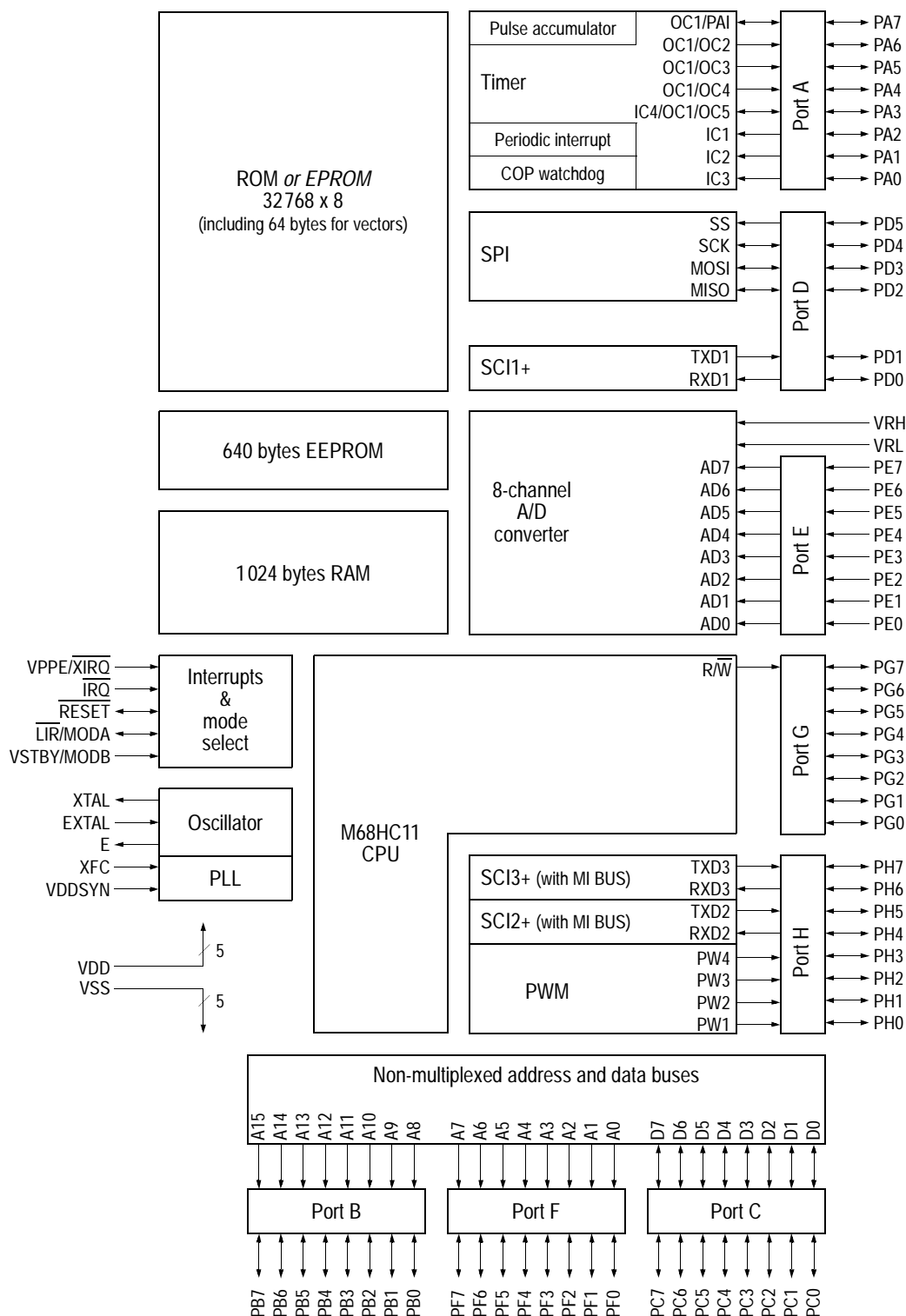


Figure 1-1. MC68HC11P2/MC68HC711P2 block diagram

Section 2. Pin Descriptions

2.1 Contents

2.2	Introduction	21
2.3	VDD and VSS	22
2.4	RESET	23
2.5	Crystal driver and external clock input (XTAL, EXTAL)	24
2.6	E clock output (E)	26
2.7	Phase-locked loop (XFC, VDDSYN)	26
2.8	Interrupt request (IRQ)	32
2.9	Nonmaskable interrupt (XIRQ/VPPE)	32
2.10	MODA and MODB (MODA/LIR and MODB/VSTBY)	33
2.11	VRH and VRL	34
2.12	PG7/R/W	34
2.13	Port signals	34

2.2 Introduction

The MC68HC11P2 is available in an 84-pin plastic-leaded chip carrier (PLCC); *the MC68HC711P2 is also available in an 84-pin windowed cerquad package, to allow full use of the EPROM.* Most pins on this MCU serve two or more functions, as described in the following paragraphs. Refer to **Figure 2-1** which shows the pin assignments for both 84-pin packages.

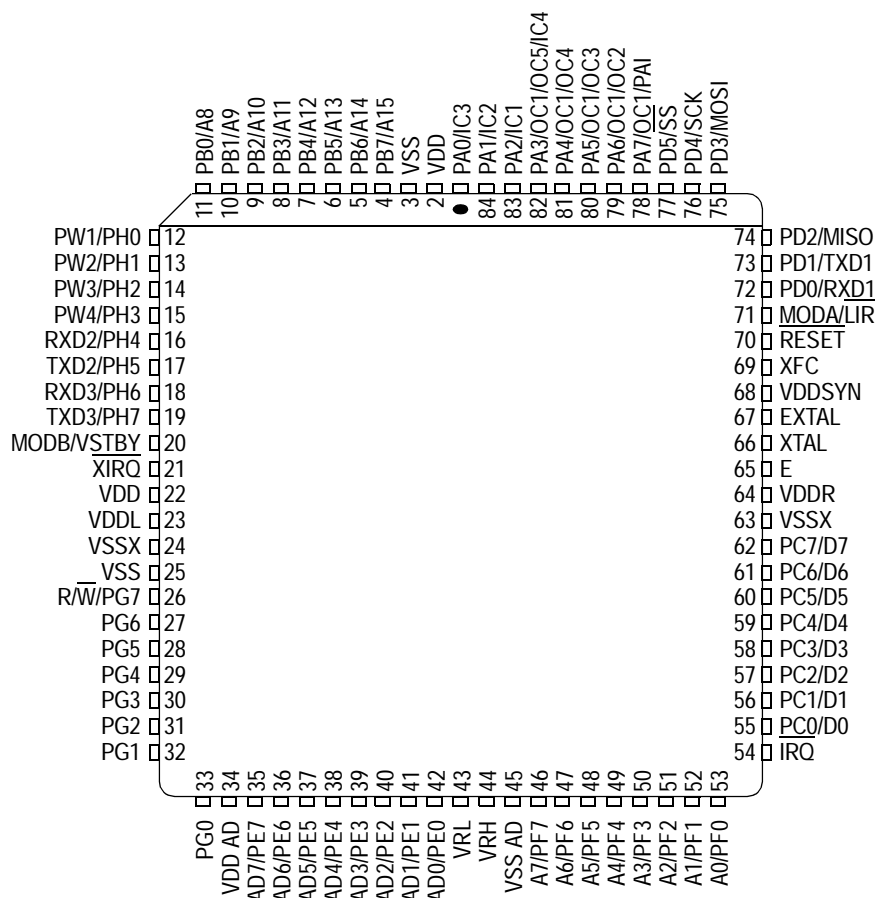


Figure 2-1. 84-pin PLCC/CERQUAD pinout

2.3 VDD and VSS

Power is supplied to the microcontroller via these pins. VDD is the positive supply and VSS is ground. The MCU operates from a single 5V (nominal) power supply.

It is in the nature of CMOS designs that very fast signal transitions occur on the MCU pins. These short rise and fall times place very high short-duration current demands on the power supply. To prevent noise problems, special care must be taken to provide good power supply bypassing at the MCU. Bypass capacitors should have good high-frequency characteristics and be as close to the MCU as possible.

Bypassing requirements vary, depending on how heavily the MCU pins are loaded.

The MC68HC11P2 MCU has five VDD pins and five VSS pins. One pair of these pins is reserved for supplying power to the analog-to-digital converter (VDD AD, VSS AD); two pairs are used for the internal logic (VDD, VSS); the remaining two pairs supply power for the port logic on either half of the chip (VDDL, VSSX and VDDR, VSSX). This arrangement minimizes the injection of noise into the digital circuitry on the chip.

2.4 RESET

An active low bidirectional control signal, $\overline{\text{RESET}}$, acts as an input to initialize the MCU to a known start-up state. It also acts as an open-drain output to indicate that an internal failure has been detected in either the clock monitor or the COP watchdog circuit. The CPU distinguishes between internal and external reset conditions by sensing whether the reset pin rises to a logic one in less than six E clock cycles after a reset has occurred. It is therefore not advisable to connect an external resistor-capacitor (RC) power-up delay circuit to the reset pin of M68HC11 devices because the circuit charge time constant can cause the device to misinterpret the type of reset that occurred. Refer to [Resets and Interrupts](#) for further information.

Figure 2-2 illustrates a typical reset circuit that includes an external switch together with a low voltage inhibit circuit, to prevent power transitions, or RAM or EEPROM corruption.

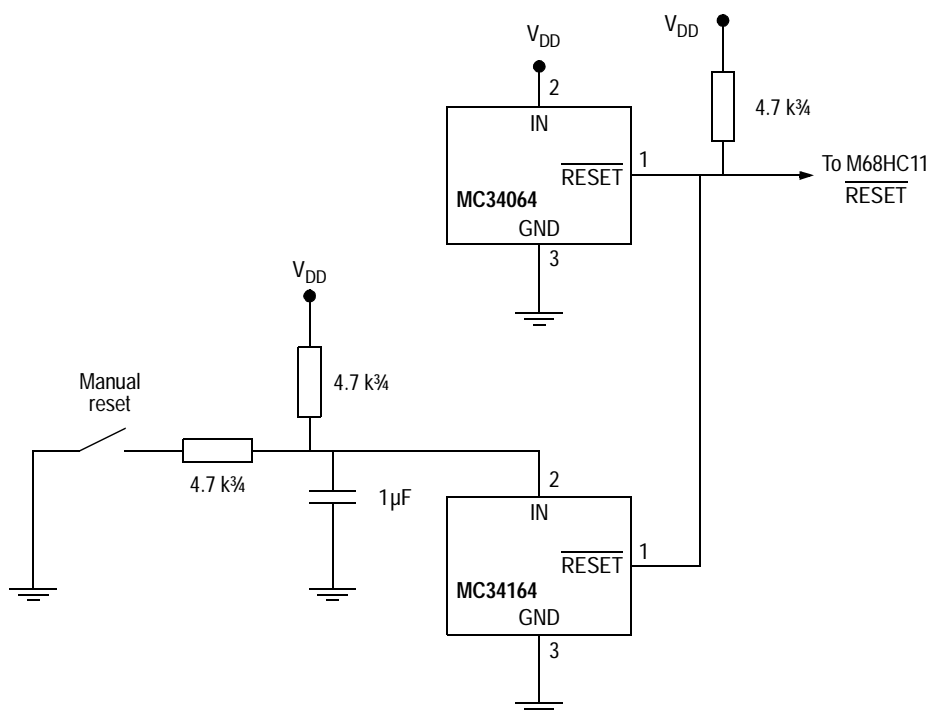


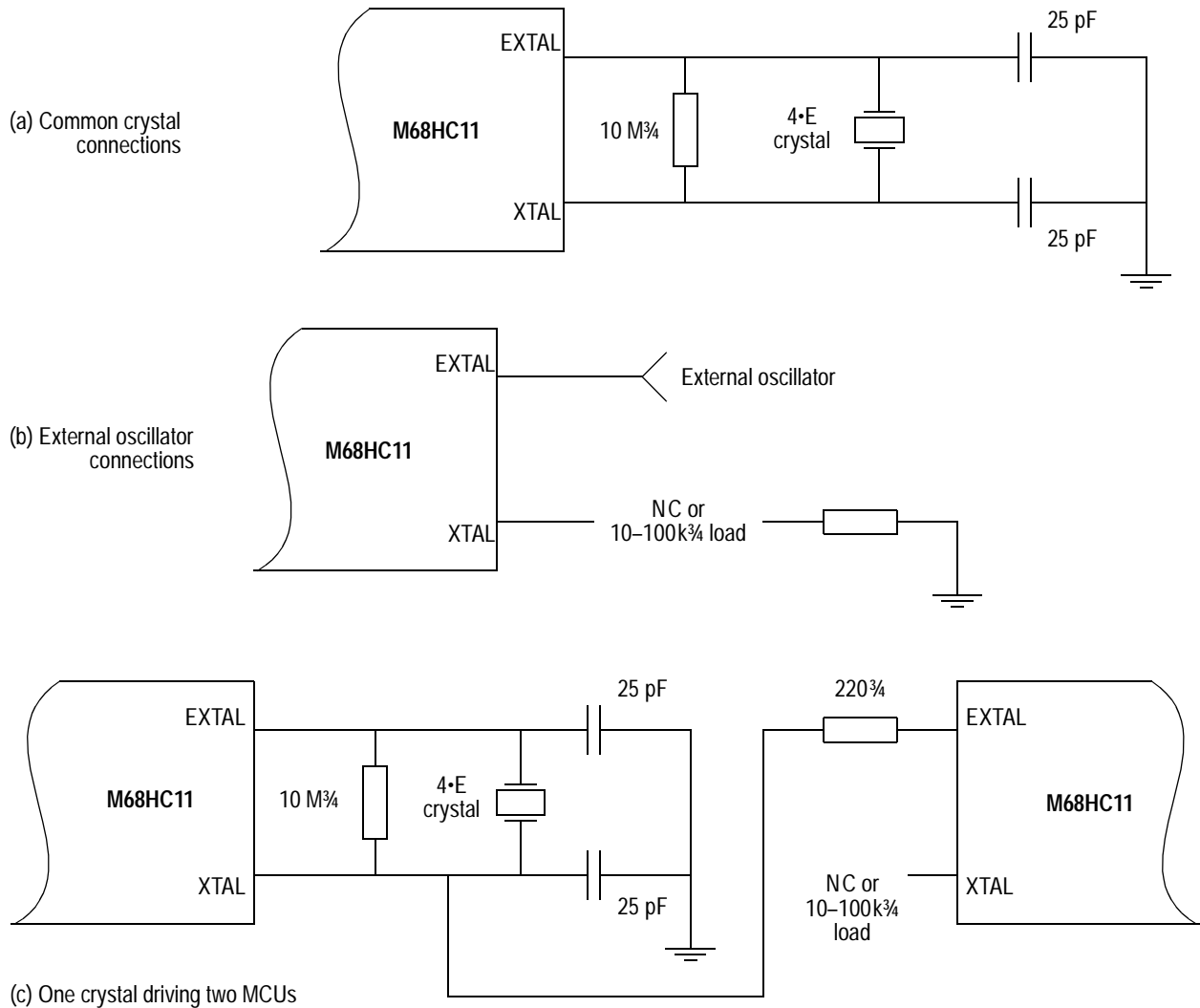
Figure 2-2. External reset circuitry

2.5 Crystal driver and external clock input (XTAL, EXTAL)

These two pins provide the interface for either a crystal or a CMOS compatible clock to control the internal clock generator circuitry. The frequency applied to these pins must be four times higher than the desired E clock rate (unless the PLL circuit is used to provide the E clock).

The XTAL pin is normally left unconnected when an external CMOS compatible clock input is connected to the EXTAL pin. However, a 10 k Ω to 100 k Ω load resistor connected from XTAL to ground can be used to reduce RFI noise emission. The XTAL output is normally intended to drive only a crystal. The XTAL output can be buffered with a high-impedance buffer, or it can be used to drive the EXTAL input of another M68HC11 family device.

In all cases, use caution when designing circuitry associated with the oscillator pins. Load capacitances shown in the oscillator circuits include all stray layout capacitances. See [Figure 2-3](#).



Note: capacitor values include all stray capacitance.

Figure 2-3. Oscillator connections

2.6 E clock output (E)

E is the output connection for the internally generated E clock. The signal from E is used as a timing reference. The frequency of the E clock output is one quarter that of the input frequency at the XTAL and EXTAL pins (except when the PLL is used as the clock source). When E clock output is low, an internal process is taking place; when it is high, data is being accessed. All clocks, including the E clock, are halted when the MCU is in STOP mode. The E clock output can be turned off in single chip modes to reduce the effects of RFI.

2.7 Phase-locked loop (XFC, VDDSYN)

The XFC and VDDSYN pins are the inputs for the on-chip PLL (phase-locked loop) circuitry. On reset all the device clocks are derived from the EXTAL input. The EXTAL clock is used as a reference for the PLL circuit, which generates a clock that is a multiple of the EXTAL frequency. Once the PLL has stabilized, alternate clocks may be selected.

VDDSYN is the power supply pin for the PLL. Connecting it high enables the internal low frequency oscillator circuitry designed for the PLL. The PLL has been designed particularly for use with 614.4 and 640kHz crystals, though other values may be used. The maximum recommended crystal frequency for PLL operation is 2MHz. Above this frequency VDDSYN should be grounded to disable the PLL and enable the high frequency oscillator circuit; in this state EXTAL is designed for 16MHz operation and XFC may be left unconnected.

The PLL consists of a variable bandwidth loop filter, a voltage controlled oscillator (VCO), a feedback frequency divider and a digital phase detector. VDDSYN is the supply voltage for the PLL and must be suitably bypassed. The external capacitor on XFC should be located as close to the chip as possible to minimize noise. A typical value for this capacitor is 0.047 μ F, for a crystal frequency of 614.4kHz.⁽¹⁾

1. In general, a larger capacitor will improve the PLL's frequency stability, at the expense of increasing the time required for it to settle (t_{PLL}) at the desired frequency. For a 32kHz application, or one in which the slew rate is not critical, a capacitor value of 0.1 μ F is usually adequate. For a crystal frequency of 614.4kHz and a slew time of 1–2ms (from 614kHz in WAIT mode to 16MHz in RUN mode), a capacitor of 0.047 μ F has been found satisfactory.

The PLL filter has two bandwidths that are automatically selected by the PLL, if the AUTO bit in PLLCR is set. Whenever the PLL is first enabled, the wide bandwidth mode is used. This enables the PLL frequency to ramp up quickly. When the output frequency is near the desired value, the filter is switched to the narrow bandwidth mode, to make the final frequency more stable. Manual control is possible, by clearing AUTO in PLLCR, and setting the appropriate value for BWC.

A block diagram of the PLL circuitry is given in [Figure 2-4](#).

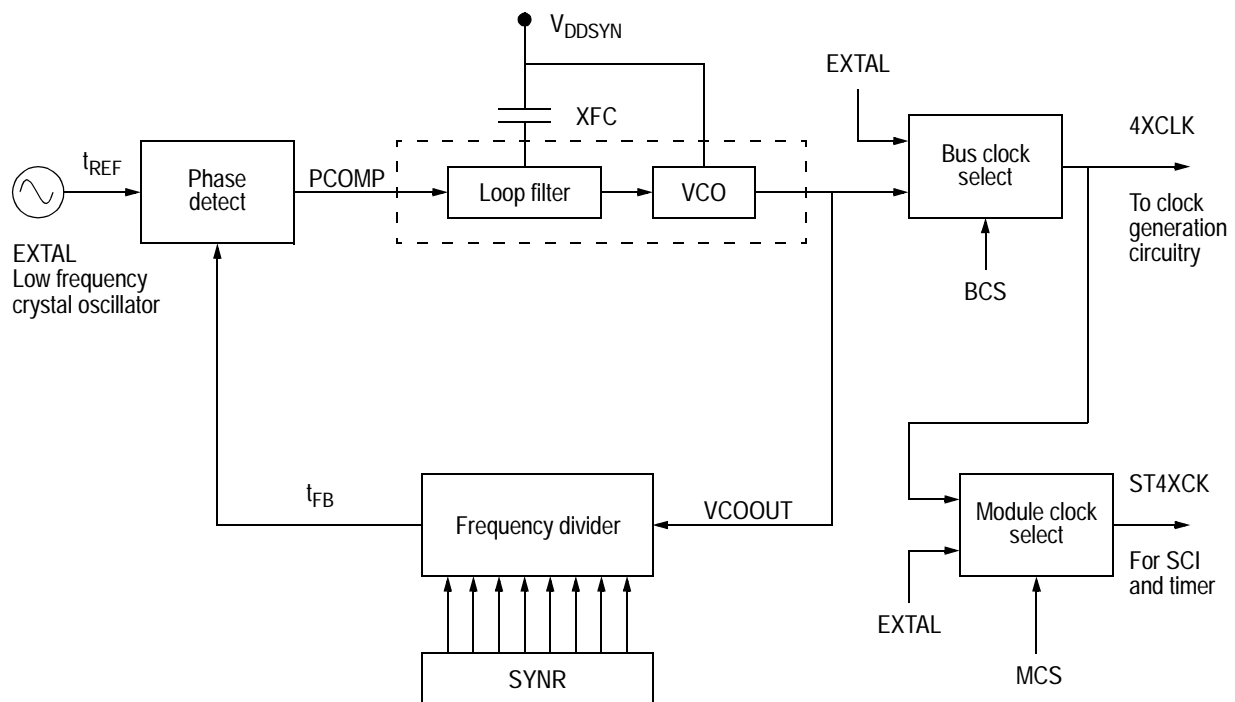


Figure 2-4. PLL circuit

2.7.1 Synchronization of PLL with subsystems

The timer and SCI subsystems operate off the EXTAL clock, but are accessed by the CPU relative to the internal PH2 signal. Although the EXTAL clock is used as the reference for the PLL, the PH2 clock and the module clocks for the timer and the SCI are not synchronized. In order to ensure synchronized data, special circuitry has been incorporated into both subsystems.

2.7.2 Changing the PLL frequency

To change the PLL frequency it is necessary to perform the following sequence of events, in order to prevent possible bursts of high frequency operation during the reconfiguration of the PLL:

1. Switch to the low frequency bus rate (BCS = 0)
2. Disable the PLL (PLLON = 0)
3. Change the value in SYNCR
4. Enable the PLL (PLLON = 1)
5. Wait a time t_{PLLs} for the PLL frequency to stabilize
6. Switch to the high frequency bus rate (BCS = 1)

2.7.3 PLL registers

Two registers are used to control the operation of the MC68HC11P2 phase-locked loop circuitry. These are the PLL control register and the synthesizer program register, each of which is described below.

2.7.3.1 PLLCR — PLL control register

	Address	bit 7	bit 6	bit 5	bit 4	bit 3	bit 2	bit 1	bit 0	State on reset
PLL control (PLLCR)	\$002E	PLLON	BCS	AUTO	BWC	VCOT	MCS	LCK	WEN	1010 1000

This read/write register contains two bits that are used to enable and disable the synthesizer and to switch from slow (EXTAL) to one of the fast speeds. Two further bits are used to control the filter bandwidth. The SCI and timer clock source and the slow clock for WAIT mode are also controlled by this register.

PLLON — PLL on

1 = Switch PLL on.

0 = Switch PLL off.

This bit activates the synthesizer circuit without connecting it to the control circuit. This allows the circuit to stabilize before it drives the CPU clocks. PLLON is set by reset, to allow the control loop to stabilize during power up.

PLLON cannot be cleared whilst using VCOOUT to drive the internal processor clock, i.e. when BCS is set.

BCS — Bus clock select

1 = VCOOUT output drives the clock circuit (4XCLK).

0 = EXTAL drives the clock circuit (4XCLK).

This bit determines which signal drives the clock circuit generating the bus clocks. Once BCS has been altered it can take up to [1.5 EXTAL + 1.5 VCOOUT] cycles for the change in the clock to occur. Reset clears this bit.

NOTE: *PLLON and BCS have built-in safeguards so that VCOOUT cannot be selected as the clock source (BCS = 1) if the PLL is off (PLLON = 0). Similarly, the PLL cannot be turned off (PLLON = 0) if it is on and in use (BCS = 1). Turning the PLL on and selecting VCOOUT as the clock source therefore requires two independent writes to PLLCR.*

AUTO — Automatic bandwidth control

1 = Automatic bandwidth control selected.

0 = Manual bandwidth control selected.

AUTO selects between automatic bandwidth control circuits in the phase detect block and manual bandwidth control. Reset sets this bit.

BWC — Bandwidth control

1 = High bandwidth control selected.

0 = Low bandwidth control selected.

Bandwidth control is under manual control only when AUTO is clear. (When AUTO is set, BWC acts as a read-only status bit to indicate which mode has been selected by the internal circuit.) A delay of t_{PLLS} is required between changes to BWC. The low bandwidth driver is always enabled, so this bit determines whether the high bandwidth driver is on or off. On PLL start-up in automatic mode (AUTO = 1), the high bandwidth driver is enabled (BWC = 1) by internal circuitry until

the PLL is near the specified frequency. The high bandwidth driver is then disabled and BWC is cleared by internal circuitry. Reset clears this bit.

Auto	BWC	High bandwidth
0	0	Off
0	1	On
1	X	Auto

VCOT — VCO test (Test mode only)

1 = Loop filter operates as specified by AUTO and BWC.

0 = Low bandwidth mode of the PLL filter is disabled.

This bit is used to isolate the loop filter from the VCO for testing purposes. VCOT is always set when AUTO = 1 when running in automatic mode. This bit is writable only in test mode. Reset sets this bit.

MCS — Module clock select

1 = 4XCLK is the source for the SCI and timer divider chain.

0 = EXTAL is the source for the SCI and timer divider chain.

Reset clears this bit.

LCK — Synthesizer lock detect

1 = The PLL has stabilized.

0 = The PLL is not stable.

This bit is used as an indicator for software that it is all right to set BCS.

WEN — WAIT enable

1 = Low-power WAIT mode selected (PLL set to 'idle' in WAIT mode).

0 = Do not alter the 4XCLK during WAIT mode.

This bit determines whether the 4XCLK is disconnected from VCOOUT during WAIT and connected to EXTAL. Reset clears this bit.

When set, the CPU will respond to a WAIT instruction by first stacking the relevant registers, then by clearing BCS and setting the PLL to 'idle', with modulus = 1.

Any interrupt, any reset, or the assertion of RAF in any of the SCIs will allow the PLL to resume operating at the frequency specified in the SYN_R. The user must set BCS after the PLL has had time to adjust (t_{PLLs}). If, for a specific SCI, the RE bit is clear, then RAF cannot become set, hence the PLL will not resume normal operation.

2.7.3.2 SYN_R — Synthesizer program register

	Address	bit 7	bit 6	bit 5	bit 4	bit 3	bit 2	bit 1	bit 0	State on reset
Synthesizer program (SYN _R)	\$002F	SYNX1	SYNX0	SYNY5	SYNY4	SYNY3	SYNY2	SYNY1	SYNY0	0000 1011

The PLL frequency synthesizer multiplies the frequency of the crystal oscillator. The multiplication factor is software programmable via a loop divider, which consists of a six-bit modulo N counter, with a further two bit scaling factor.

The multiplication factor is given by $2(Y + 1)2^X$, where $0 \leq X \leq 3$ and $0 \leq Y \leq 63$.

NOTE: *Exceeding recommended operating frequencies can result in indeterminate MCU operation.*

SYNX[1:0]

These bits program the binary taps (divide by 1, 2, 4 and 8). Reset clears these bits.

SYNY[5:0]

These bits program the six-bit modulo N (1 to 64) counter. Reset sets these bits to %001011.

NOTE: *The resolution of the multiplication factors decreases by a factor of two, as X increases:*

X	Y	Possible multipliers
0	0 – 63	2, 4, 6, 8, ..., 128
1	0 – 63	4, 8, 12, 16, ..., 256
2	0 – 63	8, 16, 24, 32, ..., 512
3	0 – 63	16, 32, 48, 64, ..., 1024

2.8 Interrupt request ($\overline{\text{IRQ}}$)

The $\overline{\text{IRQ}}$ input provides a means of applying asynchronous interrupt requests to the MCU. Either falling edge sensitive triggering or level sensitive triggering is program selectable (OPTION register). $\overline{\text{IRQ}}$ is always configured to level sensitive triggering at reset.

NOTE: Connect an external pull-up resistor, typically 4.7 k Ω , to V_{DD} when $\overline{\text{IRQ}}$ is used in a level sensitive wired-OR configuration. See also [Nonmaskable interrupt \(XIRQ/VPPE\)](#).

2.9 Nonmaskable interrupt ($\overline{\text{XIRQ/VPPE}}$)

The $\overline{\text{XIRQ}}$ input provides a means of requesting a non-maskable interrupt after reset initialization. During reset, the X bit in the condition code register (CCR) is set and any interrupt is masked until MCU software enables it. Because the $\overline{\text{XIRQ}}$ input is level-sensitive, it can be connected to a multiple-source wired-OR network with an external pull-up resistor to V_{DD} . $\overline{\text{XIRQ}}$ is often used as a power loss detect interrupt.

Whenever $\overline{\text{XIRQ}}$ or $\overline{\text{IRQ}}$ is used with multiple interrupt sources ($\overline{\text{IRQ}}$ must be configured for level sensitive operation if there is more than one source of $\overline{\text{IRQ}}$ interrupt), each source must drive the interrupt input with an open-drain type of driver to avoid contention between outputs. There should be a single pull-up resistor near the MCU interrupt input pin (typically 4.7 k Ω). There must also be an interlock mechanism at each interrupt source so that the source holds the interrupt line low until the MCU recognizes and acknowledges the interrupt request. If one or more interrupt source is still pending after the MCU services a request, the interrupt line will still be held low and the MCU will be interrupted again as soon as the interrupt mask bit in the MCU is cleared (normally upon return from an interrupt). Refer to [Resets and Interrupts](#).

The VPPE pin is used to input the external EPROM programming voltage, which must be present during EPROM programming.

2.10 MODA and MODB (MODA/LIR and MODB/VSTBY)

During reset, MODA and MODB select one of the four operating modes. Refer to [Operating Modes and On-Chip Memory](#).

After the operating mode has been selected, the $\overline{\text{LIR}}$ pin provides an open-drain output to indicate that execution of an instruction has begun. The $\overline{\text{LIR}}$ pin is normally configured for wired-OR operation (only pulls low). In order to detect consecutive instructions in a high-speed application, this signal can be made to drive high for a short time to prevent false triggering. A series of E clock cycles occurs during execution of each instruction. The $\overline{\text{LIR}}$ signal goes low during the first E clock cycle of each instruction (opcode fetch). This output is provided for assistance in program debugging and its operation is controlled by the LIRDV bit in the OPT2 register.

The VSTBY pin is used to input RAM stand-by power. The MCU is powered from the VDD pin unless the difference between the level of VSTBY and VDD is greater than one MOS threshold (about 0.7 volts). When these voltages differ by more than 0.7 volts, the internal 1024-byte RAM and part of the reset logic are powered from VSTBY rather than VDD. This allows RAM contents to be retained without VDD power applied to the MCU. Reset must be driven low before V_{DD} is removed and must remain low until V_{DD} has been restored to a valid level.

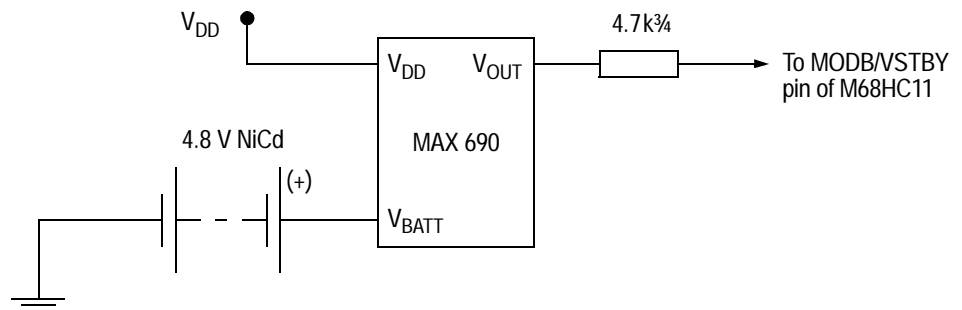


Figure 2-5. RAM stand-by connections

2.11 VRH and VRL

These pins provide the reference voltages for the analog-to-digital converter.

2.12 PG7/R \overline{W}

This pin provides two separate functions, depending on the operating mode. In single chip and bootstrap modes, PG7/R \overline{W} acts as input/output port G bit 7. Refer to [Parallel Input/Output](#) for further information.

In expanded and test modes, PG7/R \overline{W} performs the read/write function. PG7/R \overline{W} signals the direction of transfers on the external data bus. A high on this pin indicates that a read cycle is in progress.

2.13 Port signals

In the 84-pin PLCC package, 62 pins are arranged into seven 8-bit ports: A, B, C, E, F, G, and H, and one six-bit port (D). The lines of ports A, B, C, D, F, G, and H are fully bidirectional; E is input only. Each of the bidirectional ports serves a purpose other than I/O, depending on the operating mode or peripheral function selected. Note that ports B, C, F, and one bit of port G are available for I/O functions only in single chip and bootstrap modes. Refer to [Table 2-1](#) for details of the port signals' functions in different operating modes.

NOTE: *When using the information about port functions, do not confuse pin function with the electrical state of the pin at reset. All general-purpose I/O pins configured as inputs at reset are in a high-impedance state. Port data registers reflect the functional state of the port at reset. The pin function is mode dependent.*

Table 2-1. Port signal functions

Port/bit	Single chip and bootstrap mode	Expanded multiplexed and special test mode
PA0	PA0/IC3	
PA1	PA1/IC2	
PA2	PA2/IC1	
PA3	PA3/OC5/IC4 and/or OC1	
PA4	PA4/OC4 and/or OC1	
PA5	PA5/OC3 and/or OC1	
PA6	PA6/OC2 and/or OC1	
PA7	PA7/PAI and/or OC1	
PB[7:0]	PB[7:0]	A[15:8]
PC[7:0]	PC[7:0]	D[7:0]
PD0	PD0/RXD1	
PD1	PD1/TXD1	
PD2	PD2/MISO	
PD3	PD3/MOSI	
PD4	PD4/SCK	
PD5	PD5/SS	
PE[7:0]	Input only or analog inputs	
PF[7:0]	PF[7:0]	A[7:0]
PG[6:0]	PG[6:0]	
PG7	PG7/R/W	
PH0	PH0/PW1	
PH1	PH1/PW2	
PH2	PH2/PW3	
PH3	PH3/PW4	
PH4	PH4/RXD2	
PH5	PH5/TXD2	
PH6	PH6/RXD3	
PH7	PH7/TXD3	

2.13.1 Port A

Port A is an 8-bit general-purpose I/O port with a data register (PORTA) and a data direction register (DDRA). Port A pins share functions with the 16-bit timer system (see [Timing System](#) for further information). PORTA can be read at any time: inputs return the pin level; outputs return the pin driver input level. If written, PORTA stores the data in internal latches. The pins are driven only if they are configured as

outputs. Writes to PORTA do not change the pin state when the pins are configured for timer output compares.

Out of reset, port A pins [7:0] are general-purpose high-impedance inputs. When the functions associated with these pins are disabled, the bits in DDRA govern the I/O state of the associated pin. For further information, refer to [Parallel Input/Output](#).

2.13.2 Port B

Port B is an 8-bit general-purpose I/O port with a data register (PORTB) and a data direction register (DDRB). In single chip mode, port B pins are general-purpose I/O pins (PB[7:0]). In expanded mode, port B pins act as the high-order address lines (A[15:8]) of the address bus.

PORTB can be read at any time: inputs return the pin level; outputs return the pin driver input level. If PORTB is written, the data is stored in internal latches. The pins are driven only if they are configured as outputs in single chip or bootstrap mode. For further information, refer to [Parallel Input/Output](#).

Port B pins include on-chip pull-up devices which can be enabled or disabled.

2.13.3 Port C

Port C is an 8-bit general-purpose I/O port with a data register (PORTC) and a data direction register (DDRC). In single chip mode, port C pins are general-purpose I/O pins (PC[7:0]). In the expanded mode, port C pins are configured as data bus pins (D[7:0]).

PORTC can be read at any time: inputs return the pin level; outputs return the pin driver input level. If PORTC is written, the data is stored in internal latches. The pins are driven only if they are configured as outputs in single chip or bootstrap mode. Port C pins are general-purpose inputs out of reset in single chip and bootstrap modes. In expanded and test modes, these pins are data bus lines out of reset.

The CWOM control bit in the OPT2 register disables port C's P-channel output drivers. Because the N-channel driver is not affected by CWOM, setting CWOM causes port C to become an open-drain-type output port suitable for wired-OR operation. In wired-OR mode (PORTC bits at logic level zero), the pins are actively driven low by the N-channel driver. When a port C bit is at logic level one, the associated pin is in a high impedance state as neither the N-channel nor the P-channel devices are active. It is customary to have an external pull-up resistor on lines that are driven by open-drain devices. Port C can only be configured for wired-OR operation when the MCU is in single chip mode. For further information, refer to [Parallel Input/Output](#).

2.13.4 Port D

Port D, a 6-bit general-purpose I/O port, has a data register (PORTD) and a data direction register (DDRD). The six port D lines (D[5:0]) can be used for general-purpose I/O, for one of the serial communications interfaces (SCI1, bits [0:1]) and for the serial peripheral interface (SPI, bits [2:5]) subsystem.

PORTD can be read at any time: inputs return the pin level; outputs return the pin driver input level. If PORTD is written, the data is stored in internal latches and are driven only if port D is configured for general-purpose output.

For further information, refer to [Parallel Input/Output](#), [Serial Communications Interface \(SCI\)](#) and [Serial Peripheral Interface \(SPI\)](#).

2.13.5 Port E

Port E, PE/AD[7:0], is an input-only port that can also be used as the analog inputs for the analog-to-digital converter.

For further information, refer to [Parallel Input/Output](#) and [Analog-to-Digital Converter](#).

2.13.6 Port F

Port F is an 8-bit general-purpose I/O port with a data register (PORTF) and a data direction register (DDRF). In single chip mode, port F pins are general-purpose I/O pins (PF[7:0]). In expanded mode, port F pins act as the low-order address lines (A[7:0]) of the address bus.

PORTF can be read at any time: inputs return the pin level; outputs return the pin driver input level. If PORTF is written, the data is stored in internal latches. The pins are driven only if they are configured as outputs in single chip or bootstrap mode.

Port F pins include on-chip pull-up devices that can be enabled or disabled.

For further information, refer to [Parallel Input/Output](#).

2.13.7 Port G

In normal modes, Port G is an 8-bit general-purpose I/O port with a data register (PORTG) and a data direction register (DDRG). Port G bit 7 is the $\overline{R/W}$ line in expanded mode; the remaining bits are always general purpose I/O.

PORTG can be read at any time: inputs return the pin level; outputs return the pin driver input level. If PORTG is written, the data is stored in internal latches. The pins are driven only if they are configured as outputs in single chip or bootstrap mode. For further information, refer to [Parallel Input/Output](#).

Port G pins include on-chip pull-up devices that can be enabled or disabled.

2.13.8 Port H

Port H is an 8-bit general-purpose I/O port with a data register (PORTH) and a data direction register (DDRH). Port H pins support either input/output, SCI2 (bits [7:6]), SCI3 (bits [5:4]), or pulse-width modulation channels (bits [3:0]). Both of these SCI subsystems also have MI BUS capability.

PORTH can be read at any time: inputs return the pin level; outputs return the pin driver input level. If PORTH is written, the data is stored in internal latches. The pins are driven only if they are configured as outputs in single chip or bootstrap mode.

Port H pins include on-chip pull-up or pull-down devices that can be enabled or disabled via the Port pull-up assignment register (PPAR). Port H [7:4] have pull-up resistors; port H [3:0] have pull-down resistors.

For further information, refer to [Parallel Input/Output](#), [Serial Communications Interface \(SCI\)](#), [Motorola Interconnect Bus \(MI BUS\)](#) and [Timing System](#).

Section 3. Operating Modes and On-Chip Memory

3.1 Contents

3.2	Introduction	41
3.3	Operating modes	41
3.4	On-chip memory	44
3.5	System initialization	51
3.6	EPROM, EEPROM and CONFIG register	64

3.2 Introduction

This section contains information about the modes that define MC68HC11P2 operating conditions, and about the on-chip memory that allows the MCU to be configured for various applications.

3.3 Operating modes

The values of the mode select inputs MODB and MODA during reset determine the operating mode. Single chip and expanded modes are the normal modes. In single chip mode only on-board memory is available. Expanded mode, however, allows access to external memory. Each of these two normal modes is paired with a special mode. Bootstrap, a variation of the single chip mode, is a special mode that executes a bootloader program in an internal bootstrap ROM. Test is a special mode that allows privileged access to internal resources.

3.3.1 Single chip operating mode

In single chip operating mode, the MC68HC11P2 microcontroller has no external address or data bus. Ports B, C, F, and the $\overline{R/W}$ pin are available for general-purpose parallel I/O.

3.3.2 Expanded operating mode

In expanded operating mode, the MCU can access a 64kbyte physical address space. The address space includes the same on-chip memory addresses used for single chip mode, in addition to external memory and peripheral devices.

The expansion bus is made up of ports B, C, and F, and the $\overline{R/W}$ signal. In expanded mode, high order address bits are output on the port B pins, low order address bits on the port F pins, and the data bus on port C. The $\overline{R/W}/PG7$ pin signals the direction of data transfer on the port C bus.

3.3.3 Special test mode

Special test, a variation of the expanded mode, is primarily used during Motorola's internal production testing; however, it is accessible for programming the CONFIG register, programming calibration data into EEPROM, and supporting emulation and debugging during development.

3.3.4 Special bootstrap mode

When the MCU is reset in special bootstrap mode, a small on-chip ROM is enabled at address \$BE40–\$BFFF. The ROM contains a reset vector and a bootloader program. The MCU fetches the reset vector, then executes the bootloader.

For normal use of the bootloader program, send a synchronization byte \$FF to the SCI receiver at either E clock ÷ 256, or E clock ÷ 1664 (7812 or 1200 baud respectively, for an E clock of 2MHz). Then download up to 1024 bytes of program data (which is put into RAM starting at \$0080). These characters are echoed through the transmitter. The bootloader program ends the download after a timeout of four character times or 1024 bytes. When loading is complete, the program jumps to location \$0080 and begins executing the code. Use of an external pull-up resistor is required when using the SCI transmitter pin (TXD) because port D pins are configured for wired-OR operation by the bootloader. In bootstrap mode, the interrupt vectors point to RAM. This allows the use of interrupts through a jump table.

Further baud rate options are available on the MC68HC11P2 by using a different value for the synchronization byte, as shown in [Table 3-1](#). Refer also to Motorola application note *AN1060, M68HC11 Bootstrap Mode* (the bootloader mode is similar to that used on the MC68HC11K4).

Table 3-1. Example bootloader baud rates

Sync. byte	Timeout delay	Baud rates for an E clock of:				
		2.00MHz	2.10MHz	3.00MHz	3.15MHz	4.00MHz
\$FF	4 char.	7812	8192	11718	12288	15624
\$FF	4	1200	1260	1800	1890	2400
\$F0	4.9	9600	10080	14400	15120	19200
\$FD	17.3	5208	5461	7812	8192	10416
\$FD	13	3906	4096	5859	6144	7812

3.4 On-chip memory

The MC68HC11P2 MCU includes 1024 bytes of on-chip RAM, 32kbytes of ROM/EPROM and 640 bytes of EEPROM. The bootloader ROM occupies a 512 byte block of the memory map. The CONFIG register is implemented as a separate EEPROM byte.

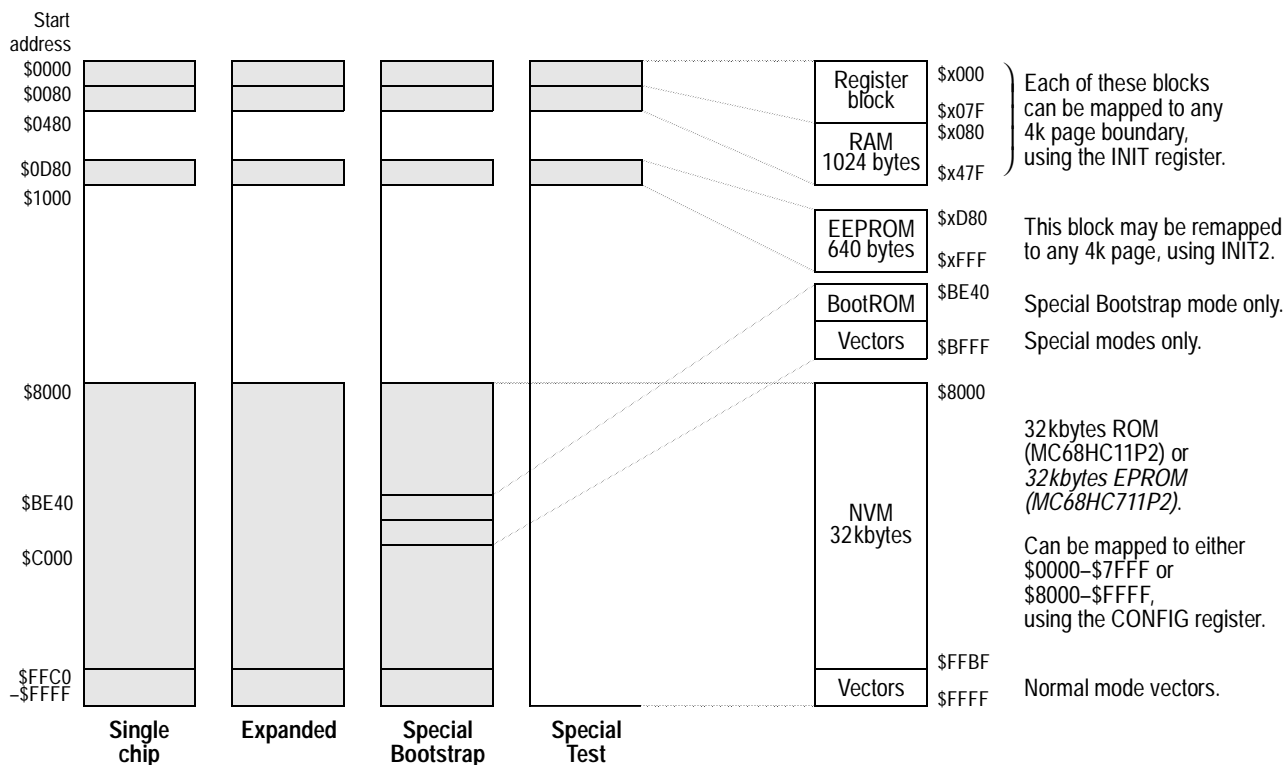


Figure 3-1. MC68HC11P2 memory map

3.4.1 Mapping allocations

Memory locations for on-chip resources are the same for both expanded and single chip modes. The 128-byte register block originates at \$0000 after reset and can be placed at any other 4k boundary (\$x000) after reset by writing an appropriate value to the INIT register. Refer to [Figure 3-1](#), which shows the memory map.

The on-board 1024-byte RAM is initially located at \$0080 after reset. The RAM is divided into two sections of 128 bytes and 896 bytes. If RAM and

registers are both mapped to the same 4k boundary, RAM starts at \$x080 and 128 bytes are remapped at \$x400–\$x47F. Otherwise, RAM starts at \$x000.

Remapping is accomplished by writing appropriate values into the two nibbles of the INIT register.

The 640-byte EEPROM is initially located at \$0D80 after reset when EEPROM is enabled in the memory map by the CONFIG register. EEPROM can be placed at any other 4k boundary (\$xD80) by writing to the INIT2 register.

If ROM is available, the ROMAD and ROMON bits in the CONFIG register control the position and presence of ROM in the memory map. In special test mode, the ROMON bit is cleared so the ROM is removed from the memory map. In single chip mode, the ROMAD bit is set to one after reset, which enables the ROM at \$8000–\$FFFF. In expanded mode, the ROM may be enabled from \$0000–7FFF (ROMAD = 0) to allow an external memory to contain the interrupt vectors and initialization code.

In special bootstrap mode, a bootloader ROM is enabled at locations \$BE40–\$BFFF. The vectors for special bootstrap mode are contained in the bootloader program. The boot ROM occupies a 512 byte block of the memory map, though not all locations are used.

3.4.1.1 RAM

The MC68HC11P2 has 1024 bytes of fully static RAM that are used for storing instructions, variables and temporary data during program execution. RAM can be placed at any 4k boundary in the 64kbyte address space by writing an appropriate value to the INIT register.

By default, RAM is initially located at \$0080 in the memory map. Direct addressing mode can access the first 128 locations of RAM using a one-byte address operand. Direct mode accesses save program memory space and execution time. Registers can be moved to other boundaries to allow 256 bytes of RAM to be located in direct addressing space.

The on-chip RAM is a fully static memory. RAM contents can be preserved during periods of processor inactivity by either of two methods, both of which reduce power consumption:

1. During the software-based STOP mode, MCU clocks are stopped, but the MCU continues to draw power from V_{DD} . Power supply current is directly related to operating frequency in CMOS integrated circuits and there is very little leakage when the clocks are stopped. These two factors reduce power consumption while the MCU is in STOP mode.
2. To reduce power consumption to a minimum, V_{DD} can be turned off, and the MODB/VSTBY pin can be used to supply RAM power from either a battery back-up or a second power supply. Although this method requires external hardware, it is very effective. Refer to [Pin Descriptions](#) for information about how to connect the stand-by RAM power supply and to [Resets and Interrupts](#) for a description of low power operation.

3.4.1.2 ROM and EPROM

The MC68HC11P2 MCU has 32kbytes of ROM/EPROM. The ROM/EPROM array is enabled when the ROMON bit in the CONFIG register is set to one (erased). The ROMAD bit in CONFIG places the ROM/EPROM at either \$8000–\$FFFF out of reset (ROMAD = 1) or at \$0000–\$7FFF (ROMAD = 0) in expanded mode.

3.4.1.3 Bootloader ROM

The bootloader ROM is enabled at address \$BE40–\$BFFF during special bootstrap mode. The reset vector is fetched from this ROM and the MCU executes the bootloader firmware. In normal modes, the bootloader ROM is disabled.

3.4.2 Registers

In [Table 3-2](#), a summary of registers and control bits, the registers are shown in ascending order within the 128-byte register block. The addresses shown are for default block mapping (\$0000–\$007F), however, the INIT register remaps the block to any 4k page (\$x000–\$x07F).

Table 3-2. Register and control bit assignments (Sheet 1 of 4)

Register name	Address	bit 7	bit 6	bit 5	bit 4	bit 3	bit 2	bit 1	bit 0	State on reset
Port A data (PORTA)	\$0000	PA7	PA6	PA5	PA4	PA3	PA2	PA1	PA0	undefined
Data direction A (DDRA)	\$0001	DDA7	DDA6	DDA5	DDA4	DDA3	DDA2	DDA1	DDA0	0000 0000
Data direction B (DDRB)	\$0002	DDB7	DDB6	DDB5	DDB4	DDB3	DDB2	DDB1	DDB0	0000 0000
Data direction F (DDRF)	\$0003	DDF7	DDF6	DDF5	DDF4	DDF3	DDF2	DDF1	DDF0	0000 0000
Port B data (PORTB)	\$0004	PB7	PB6	PB5	PB4	PB3	PB2	PB1	PB0	undefined
Port F data (PORTF)	\$0005	PF7	PF6	PF5	PF4	PF3	PF2	PF1	PF0	undefined
Port C data (PORTC)	\$0006	PC7	PC6	PC5	PC4	PC3	PC2	PC1	PC0	undefined
Data direction C (DDRC)	\$0007	DDC7	DDC6	DDC5	DDC4	DDC3	DDC2	DDC1	DDC0	0000 0000
Port D data (PORTD)	\$0008	0	0	PD5	PD4	PD3	PD2	PD1	PD0	undefined
Data direction D (DDRD)	\$0009	0	0	DDD5	DDD4	DDD3	DDD2	DDD1	DDD0	0000 0000
Port E data (PORTE)	\$000A	PE7	PE6	PE5	PE4	PE3	PE2	PE1	PE0	undefined
Timer compare force (CFORC)	\$000B	FOC1	FOC2	FOC3	FOC4	FOC5	0	0	0	0000 0000
Output compare 1 mask (OC1M)	\$000C	OC1M7	OC1M6	OC1M5	OC1M4	OC1M3	0	0	0	0000 0000
Output compare 1 data (OC1D)	\$000D	OC1D7	OC1D6	OC1D5	OC1D4	OC1D3	0	0	0	0000 0000
Timer count (TCNT) high	\$000E	(bit 15)	(14)	(13)	(12)	(11)	(10)	(9)	(bit 8)	0000 0000
Timer count (TCNT) low	\$000F	(bit 7)	(6)	(5)	(4)	(3)	(2)	(1)	(bit 0)	0000 0000
Timer input capture 1 (TIC1) high	\$0010	(bit 15)	(14)	(13)	(12)	(11)	(10)	(9)	(bit 8)	undefined
Timer input capture 1 (TIC1) low	\$0011	(bit 7)	(6)	(5)	(4)	(3)	(2)	(1)	(bit 0)	undefined
Timer input capture 2 (TIC2) high	\$0012	(bit 15)	(14)	(13)	(12)	(11)	(10)	(9)	(bit 8)	undefined
Timer input capture 2 (TIC2) low	\$0013	(bit 7)	(6)	(5)	(4)	(3)	(2)	(1)	(bit 0)	undefined
Timer input capture 3 (TIC3) high	\$0014	(bit 15)	(14)	(13)	(12)	(11)	(10)	(9)	(bit 8)	undefined
Timer input capture 3 (TIC3) low	\$0015	(bit 7)	(6)	(5)	(4)	(3)	(2)	(1)	(bit 0)	undefined
Timer output compare 1 (TOC1) high	\$0016	(bit 15)	(14)	(13)	(12)	(11)	(10)	(9)	(bit 8)	1111 1111
Timer output compare 1 (TOC1) low	\$0017	(bit 7)	(6)	(5)	(4)	(3)	(2)	(1)	(bit 0)	1111 1111
Timer output compare 2 (TOC2) high	\$0018	(bit 15)	(14)	(13)	(12)	(11)	(10)	(9)	(bit 8)	1111 1111
Timer output compare 2 (TOC2) low	\$0019	(bit 7)	(6)	(5)	(4)	(3)	(2)	(1)	(bit 0)	1111 1111
Timer output compare 3 (TOC3) high	\$001A	(bit 15)	(14)	(13)	(12)	(11)	(10)	(9)	(bit 8)	1111 1111
Timer output compare 3 (TOC3) low	\$001B	(bit 7)	(6)	(5)	(4)	(3)	(2)	(1)	(bit 0)	1111 1111

Operating Modes and On-Chip Memory

Table 3-2. Register and control bit assignments (Sheet 2 of 4)

Register name	Address	bit 7	bit 6	bit 5	bit 4	bit 3	bit 2	bit 1	bit 0	State on reset
Timer output compare 4 (TOC4) high	\$001C	(bit 15)	(14)	(13)	(12)	(11)	(10)	(9)	(bit 8)	1111 1111
Timer output compare 4 (TOC4) low	\$001D	(bit 7)	(6)	(5)	(4)	(3)	(2)	(1)	(bit 0)	1111 1111
Capture 4/compare 5 (TI4/O5) high	\$001E	(bit 15)	(14)	(13)	(12)	(11)	(10)	(9)	(bit 8)	1111 1111
Capture 4/compare 5 (TI4/O5) low	\$001F	(bit 7)	(6)	(5)	(4)	(3)	(2)	(1)	(bit 0)	1111 1111
Timer control 1 (TCTL1)	\$0020	OM2	OL2	OM3	OL3	OM4	OL4	OM5	OL5	0000 0000
Timer control 2 (TCTL2)	\$0021	EDG4B	EDG4A	EDG1B	EDG1A	EDG2B	EDG2A	EDG3B	EDG3A	0000 0000
Timer interrupt mask 1 (TMSK1)	\$0022	OC1I	OC2I	OC3I	OC4I	I4/O5I	IC1I	IC2I	IC3I	0000 0000
Timer interrupt flag 1 (TFLG1)	\$0023	OC1F	OC2F	OC3F	OC4F	I4/O5F	IC1F	IC2F	IC3F	0000 0000
Timer interrupt mask 2 (TMSK2)	\$0024	TOI	RTII	PAOVI	PAII	0	0	PR1	PR0	0000 0000
Timer interrupt flag 2 (TFLG2)	\$0025	TOF	RTIF	PAOVF	PAIF	0	0	0	0	0000 0000
Pulse accumulator control (PACTL)	\$0026	0	PAEN	PAMOD	PEDGE	0	I4/O5	RTR1	RTR0	0000 0000
Pulse accumulator count (PACNT)	\$0027	(bit 7)	(6)	(5)	(4)	(3)	(2)	(1)	(bit 0)	undefined
SPI control (SPCR)	\$0028	SPIE	SPE	DWOM	MSTR	CPOL	CPHA	SPR1	SPR0	0000 01uu
SPI status (SPSR)	\$0029	SPIF	WCOL	0	MODF	0	0	0	0	0000 0000
SPI data (SPDR)	\$002A	(bit 7)	(6)	(5)	(4)	(3)	(2)	(1)	(bit 0)	undefined
EPROM programming (EPROG) †	\$002B	MBE	0	ELAT	EXCOL	EXROW	0	0	EPGM	0000 0000
Port pull-up assignment (PPAR)	\$002C	0	0	0	0	HPPUE	GPPUE	FPPUE	BPPUE	0000 1111
reserved	\$002D									
PLL control (PLLCR)	\$002E	PLLON	BCS	AUTO	BWC	VCOT	MCS	LCK	WEN	1010 1000
Synthesizer program (SYNR)	\$002F	SYNX1	SYNX0	SYNY5	SYNY4	SYNY3	SYNY2	SYNY1	SYNY0	0000 1011
A/D control & status (ADCTL)	\$0030	CCF	0	SCAN	MULT	CD	CC	CB	CA	u0uu uuuu
A/D result 1 (ADR1)	\$0031	(bit 7)	(6)	(5)	(4)	(3)	(2)	(1)	(bit 0)	undefined
A/D result 2 (ADR2)	\$0032	(bit 7)	(6)	(5)	(4)	(3)	(2)	(1)	(bit 0)	undefined
A/D result 3 (ADR3)	\$0033	(bit 7)	(6)	(5)	(4)	(3)	(2)	(1)	(bit 0)	undefined
A/D result 4 (ADR4)	\$0034	(bit 7)	(6)	(5)	(4)	(3)	(2)	(1)	(bit 0)	undefined
Block protect (BPROT)	\$0035	BULKP	0	BPRT4	PTCON	BPRT3	BPRT2	BPRT1	BPRT0	1011 1111
reserved	\$0036									
EEPROM mapping (INIT2)	\$0037	EE3	EE2	EE1	EE0	M3DL1	M3DL0	M2DL1	M2DL0	0000 0000
System config. options 2 (OPT2)	\$0038	LIRDV	CWOM	STRCH	IRVNE	LSBF	SPR2	0	0	000x 0000
System config. options 1 (OPTION)	\$0039	ADPU	CSEL	IRQE	DLY	CME	FCME	CR1	CR0	0001 0000
COP timer arm/reset (COPRST)	\$003A	(bit 7)	(6)	(5)	(4)	(3)	(2)	(1)	(bit 0)	undefined
EEPROM programming (PPROG)	\$003B	ODD	EVEN	0	BYTE	ROW	ERASE	EELAT	EEPGM	0000 0000
Highest priority interrupt (HPRIO)	\$003C	RBOOT	SMOD	MDA	PSEL4	PSEL3	PSEL2	PSEL1	PSEL0	xxx0 0110
RAM & I/O mapping (INIT)	\$003D	RAM3	RAM2	RAM1	RAM0	REG3	REG2	REG1	REG0	0000 0000
Factory test (TEST1)	\$003E	TILOP	PLTST	OCCR	CBYP	DISR	FCM	FCOP	MIDLY	0000 x000
Configuration control (CONFIG)	\$003F	ROMAD	1	1	PAREN	NOSEC	NOCOP	ROMON	EEON	x11x 1xxx

Table 3-2. Register and control bit assignments (Sheet 3 of 4)

Register name	Address	bit 7	bit 6	bit 5	bit 4	bit 3	bit 2	bit 1	bit 0	State on reset
reserved	\$0040									
reserved	\$0041									
reserved	\$0042									
reserved	\$0043									
reserved	\$0044									
reserved	\$0045									
reserved	\$0046									
reserved	\$0047									
reserved	\$0048									
reserved	\$0049									
reserved	\$004A									
reserved	\$004B									
reserved	\$004C									
reserved	\$004D									
reserved	\$004E									
reserved	\$004F									
SCI/MI 2/3 baud high (S2BDH)	\$0050	B2TST	B2SPL	0	S2B12	S2B11	S2B10	S2B9	S2B8	0000 0000
SCI/MI 2/3 baud low (S2BDL)	\$0051	S2B7	S2B6	S2B5	S2B4	S2B3	S2B2	S2B1	S2B0	0000 0100
SCI/MI 2 control 1 (S2CR1)	\$0052	LOPS2	WOMS2	MIE2	M2	WAKE2	ILT2	PE2	PT2	0000 0000
SCI/MI 2 control 2 (S2CR2)	\$0053	TIE2	TCIE2	RIE2	ILIE2	TE2	RE2	RWU2	SBK2	0000 0000
SCI/MI 2 status 1 (S2SR1)	\$0054	TDRE2	TC2	RDRF2	IDLE2	OR2	NF2	FE2	PF2	1100 0000
SCI/MI 2 status 2 (S2SR2)	\$0055	0	0	0	0	0	0	0	RAF2	0000 0000
SCI/MI 2 data high (S2DRH)	\$0056	R8B	T8B	0	0	0	0	0	0	undefined
SCI/MI 2 data low (S2DRL)	\$0057	R7T7B	R6T6B	R5T5B	R4T4B	R3T3B	R2T2B	R1T1B	R0T0B	undefined
reserved	\$0058									
reserved	\$0059									
SCI/MI 3 control 1 (S3CR1)	\$005A	LOPS3	WOMS3	MIE3	M3	WAKE3	ILT3	PE3	PT3	0000 0000
SCI/MI 3 control 2 (S3CR2)	\$005B	TIE3	TCIE3	RIE3	ILIE3	TE3	RE3	RWU3	SBK3	0000 0000
SCI/MI 3 status 1 (S3SR1)	\$005C	TDRE3	TC3	RDRF3	IDLE3	OR3	NF3	FE3	PF3	1100 0000
SCI/MI 3 status 2 (S3SR2)	\$005D	0	0	0	0	0	0	0	RAF3	0000 0000
SCI/MI 3 data high (S3DRH)	\$005E	R8C	T8C	0	0	0	0	0	0	undefined
SCI/MI 3 data low (S3DRL)	\$005F	R7T7C	R6T6C	R5T5C	R4T4C	R3T3C	R2T2C	R1T1C	R0T0C	undefined
Pulse width clock select (PWCLK)	\$0060	CON34	CON12	PCKA2	PCKA1	0	PCKB3	PCKB2	PCKB1	0000 0000
Pulse width polarity select (PWPOL)	\$0061	PCLK4	PCLK3	PCLK2	PCLK1	PPOL4	PPOL3	PPOL2	PPOL1	0000 0000
Pulse width scale (PWSCAL)	\$0062	(bit 7)	(6)	(5)	(4)	(3)	(2)	(1)	(bit 0)	0000 0000
Pulse width enable (PWEN)	\$0063	TPWSL	DISCP	0	0	PWEN4	PWEN3	PWEN2	PWEN1	0000 0000
Pulse width count 1 (PWCNT1)	\$0064	(bit 7)	(6)	(5)	(4)	(3)	(2)	(1)	(bit 0)	0000 0000

Operating Modes and On-Chip Memory

Table 3-2. Register and control bit assignments (Sheet 4 of 4)

Register name	Address	bit 7	bit 6	bit 5	bit 4	bit 3	bit 2	bit 1	bit 0	State on reset
Pulse width count 2 (PWCNT2)	\$0065	(bit 7)	(6)	(5)	(4)	(3)	(2)	(1)	(bit 0)	0000 0000
Pulse width count 3 (PWCNT3)	\$0066	(bit 7)	(6)	(5)	(4)	(3)	(2)	(1)	(bit 0)	0000 0000
Pulse width count 4 (PWCNT4)	\$0067	(bit 7)	(6)	(5)	(4)	(3)	(2)	(1)	(bit 0)	0000 0000
Pulse width period 1 (PWPER1)	\$0068	(bit 7)	(6)	(5)	(4)	(3)	(2)	(1)	(bit 0)	1111 1111
Pulse width period 2 (PWPER2)	\$0069	(bit 7)	(6)	(5)	(4)	(3)	(2)	(1)	(bit 0)	1111 1111
Pulse width period 3 (PWPER3)	\$006A	(bit 7)	(6)	(5)	(4)	(3)	(2)	(1)	(bit 0)	1111 1111
Pulse width period 4 (PWPER4)	\$006B	(bit 7)	(6)	(5)	(4)	(3)	(2)	(1)	(bit 0)	1111 1111
Pulse width duty 1 (PWDTY1)	\$006C	(bit 7)	(6)	(5)	(4)	(3)	(2)	(1)	(bit 0)	1111 1111
Pulse width duty 2 (PWDTY2)	\$006D	(bit 7)	(6)	(5)	(4)	(3)	(2)	(1)	(bit 0)	1111 1111
Pulse width duty 3 (PWDTY3)	\$006E	(bit 7)	(6)	(5)	(4)	(3)	(2)	(1)	(bit 0)	1111 1111
Pulse width duty 4 (PWDTY4)	\$006F	(bit 7)	(6)	(5)	(4)	(3)	(2)	(1)	(bit 0)	1111 1111
SCI 1 baud rate high (SCBDH)	\$0070	BTST	BSPL	0	SBR12	SBR11	SBR10	SBR9	SBR8	0000 0000
SCI 1 baud rate low (SCBDL)	\$0071	SBR7	SBR6	SBR5	SBR4	SBR3	SBR2	SBR1	SBR0	0000 0100
SCI 1 control 1 (SCCR1)	\$0072	LOOPS	WOMS	0	M	WAKE	ILT	PE	PT	0000 0000
SCI 1 control 2 (SCCR2)	\$0073	TIE	TCIE	RIE	ILIE	TE	RE	RWU	SBK	0000 0000
SCI 1 status 1 (SCSR1)	\$0074	TDRE	TC	RDRF	IDLE	OR	NF	FE	PF	1100 0000
SCI 1 status 2 (SCSR2)	\$0075	0	0	0	0	0	0	0	RAF	0000 0000
SCI 1 data high (SCDRH)	\$0076	R8	T8	0	0	0	0	0	0	undefined
SCI 1 data low (SCDRL)	\$0077	R7T7	R6T6	R5T5	R4T4	R3T3	R2T2	R1T1	R0T0	undefined
reserved	\$0078									
reserved	\$0079									
reserved	\$007A									
reserved	\$007B									
Port H data (PORTH)	\$007C	PH7	PH6	PH5	PH4	PH3	PH2	PH1	PH0	undefined
Data direction H (DDRH)	\$007D	DDH7	DDH6	DDH5	DDH4	DDH3	DDH2	DDH1	DDH0	0000 0000
Port G data (PORTG)	\$007E	PG7	PG6	PG5	PG4	PG3	PG2	PG1	PG0	undefined
Data direction G (DDRG)	\$007F	DDG7	DDG6	DDG5	DDG4	DDG3	DDG2	DDG1	DDG0	0000 0000

KEY

- † Applies only to EPROM devices
- x State on reset depends on mode selected
- u State of bit on reset is undefined

3.5 System initialization

Registers and bits that control initialization and the basic operation of the MCU are protected against writes except under special circumstances. The following table lists registers that can be written only once after reset, or that must be written within the first 64 cycles after reset.

Table 3-3. Registers with limited write access

Register address	Register name	Must be written in first 64 cycles	Write once only
\$x024	Timer interrupt mask register 2 (TMSK2)	(1)	—
\$x035	Block protect register (BPROT)	(2)	—
\$x037	EEPROM mapping register (INIT2)	No	Yes
\$x038	System configuration options register 2 (OPT2)	No	(3)
\$x039	System configuration options register (OPTION)	(4)	—
\$x03D	RAM and I/O map register (INIT)	Yes	—

1. Bits 1 and 0 can be written once and only in first 64 cycles; when SMOD = 1, however, these bits can be written at any time. All other bits can be written at any time.
2. Bits can be written to zero once and only in first 64 cycles or in special modes. Bits can be set to one at any time.
3. Bit 4 (IRVNE) can be written only once.
4. Bits 5, 4, 2, 1, and 0 can be written once and only in first 64 cycles; when SMOD = 1, however, bits 5, 4, 2, 1, and 0 can be written at any time. All other bits can be written at any time.

3.5.1 Mode selection

The four mode variations are selected by the logic states of the mode A (MODA) and mode B (MODB) pins during reset. The MODA and MODB logic levels determine the logic state of special mode (SMOD) and the mode A (MDA) control bits in the highest priority I-bit interrupt and miscellaneous (HPRIO) register.

After reset is released, the mode select pins no longer influence the MCU operating mode. In single chip operating mode, MODA pin is connected to a logic zero. In expanded mode, MODA is normally connected to V_{DD} through a pull-up resistor of 4.7 k Ω . The MODA pin also functions as the load instruction register (\overline{LIR}) pin when the MCU is not in reset. The open-drain active low \overline{LIR} output pin drives low during the first E cycle of each instruction. The MODB pin also functions as the

Operating Modes and On-Chip Memory

stand-by power input (VSTBY), which allows the RAM contents to be maintained in the absence of V_{DD} .

Refer to [Table 3-4](#), which is a summary of mode pin operation, the mode control bits and the four operating modes.

A normal mode is selected when MODB is logic one during reset. One of three reset vectors is fetched from address \$FFFA–\$FFFF, and program execution begins from the address indicated by this vector. If MODB is logic zero during reset, the special mode reset vector is fetched from addresses \$BFFA–\$BFFF and software has access to special test features. Refer to [Resets and Interrupts](#).

3.5.1.1 HPRIO — Highest priority I-bit interrupt & misc. register

	Address	bit 7	bit 6	bit 5	bit 4	bit 3	bit 2	bit 1	bit 0	State on reset
Highest priority interrupt (HPRIO)	\$003C	RBOOT	SMOD	MDA	PSEL4	PSEL3	PSEL2	PSEL1	PSEL0	xxx0 0110

NOTE: *RBOOT, SMOD and MDA bits depend on the power-up initialization mode and can only be written in special modes when SMOD = 1. Refer to [Table 3-4](#).*

RBOOT — Read bootstrap ROM

1 = Bootloader ROM enabled, at \$BE40–\$BFFF.

0 = Bootloader ROM disabled and not in map.

SMOD — Special mode select

1 = Special mode variation in effect.

0 = Normal mode variation in effect.

Once cleared, cannot be set again.

MDA — Mode select A

1 = Normal expanded or special test mode. (Expanded buses active.)

0 = Normal single chip or special bootstrap mode. (Ports active.)

Table 3-4. Hardware mode select summary

Inputs		Mode	Control bits in HPRIO (latched at reset)		
MODB	MODA		RBOOT	SMOD	MDA
1	0	Single chip	0	0	0
1	1	Expanded	0	0	1
0	0	Special bootstrap	1	1	0
0	1	Special test	0	1	1

PSEL[4:0] — Priority select bits (refer to [Resets and Interrupts](#))

3.5.2 Initialization

Because bits in the following registers control the basic configuration of the MCU, an accidental change of their values could cause serious system problems. The protection mechanism, overridden in special operating modes, requires a write to the protected bits only within the first 64 bus cycles after any reset, or only once after each reset. See [Table 3-3](#).

3.5.2.1 CONFIG — System configuration register

	Address	bit 7	bit 6	bit 5	bit 4	bit 3	bit 2	bit 1	bit 0	State on reset
Configuration control (CONFIG)	\$003F	ROMA D	1	1	PARE N	NOSE C	NOCO P	ROMO N	EEON	x11x 1xxx

CONFIG controls the presence and/or location of ROM and EEPROM in the memory map and enables the COP watchdog system. A security feature that protects data in EEPROM and RAM is available on mask programmed MCUs, controlled by the NOSEC bit. Refer to [RAM and EEPROM security](#).

CONFIG is made up of EEPROM cells and static working latches. The operation of the MCU is controlled directly by these latches and not the EEPROM byte. When programming the CONFIG register, the EEPROM byte is accessed. When the CONFIG register is read, the static latches are accessed.

These bits can be read at any time. The value read is the one latched into the register from the EEPROM cells during the last reset sequence. A new value programmed into this register is not readable until after a subsequent reset sequence. Unused bits always read as ones.

If SMOD = 1, CONFIG bits can be written at any time. If SMOD = 0, CONFIG bits can only be written using the EEPROM programming sequence, and are neither readable nor active until latched via the next reset.

ROMAD — ROM mapping control

1 = ROM addressed from \$8000 to \$FFFF.

0 = ROM addressed from \$0000 to \$7FFF (expanded mode only).

In single chip mode, reset sets this bit.

Bits [6,5] — Not implemented; always read one

PAREN — Pull-up assignment register enable (see [Parallel Input/Output](#))

1 = PPAR register enabled; pull-ups can be enabled using PPAR.

0 = PPAR register disabled; all pull-ups disabled.

NOSEC — EEPROM security disabled (see [RAM and EEPROM security](#))

1 = Disable security.

0 = Enable security.

NOCOP — COP system disable (see [Resets and Interrupts](#))

1 = COP system disabled.

0 = COP system enabled (forces reset on timeout).

ROMON — ROM enable

1 = ROM included in the memory map.

0 = ROM excluded from the memory map.

In single chip mode, reset sets this bit. In special test mode, reset clears ROMON.

EEON — EEPROM enable

1 = EEPROM included in the memory map.

0 = EEPROM is excluded from the memory map.

3.5.2.2 INIT — RAM and I/O mapping register

	Address	bit 7	bit 6	bit 5	bit 4	bit 3	bit 2	bit 1	bit 0	State on reset
RAM & I/O mapping (INIT)	\$003D	RAM3	RAM2	RAM1	RAM0	REG3	REG2	REG1	REG0	0000 0000

The internal registers used to control the operation of the MCU can be relocated on 4k boundaries within the memory space with the use of INIT. This 8-bit special-purpose register can change the default locations of the RAM and control registers within the MCU memory map. It can be written to only once within the first 64 E clock cycles after a reset. It then becomes a read-only register.

RAM[3:0] — RAM map position

These four bits, which specify the upper hexadecimal digit of the RAM address, control the position of the RAM in the memory map. The RAM can be positioned at the beginning of any 4k page in the memory map. Refer to [Table 3-5](#).

REG[3:0] — 128-byte register block position

These four bits specify the upper hexadecimal digit of the address for the 128-byte block of internal registers. The register block is positioned at the beginning of any 4k page in the memory map. Refer to [Table 3-5](#).

Table 3-5. RAM and register remapping

RAM[3:0]	Location	REG[3:0]	Location
0000	\$0000–\$03FF	0000	\$0000–\$007F
0001	\$1000–\$13FF	0001	\$1000–\$107F
0010	\$2000–\$23FF	0010	\$2000–\$207F
0011	\$3000–\$33FF	0011	\$3000–\$307F
0100	\$4000–\$43FF	0100	\$4000–\$407F
0101	\$5000–\$53FF	0101	\$5000–\$507F
0110	\$6000–\$63FF	0110	\$6000–\$607F
0111	\$7000–\$73FF	0111	\$7000–\$707F
1000	\$8000–\$83FF	1000	\$8000–\$807F
1001	\$9000–\$93FF	1001	\$9000–\$907F
1010	\$A000–\$A3FF	1010	\$A000–\$A07F
1011	\$B000–\$B3FF	1011	\$B000–\$B07F
1100	\$C000–\$C3FF	1100	\$C000–\$C07F
1101	\$D000–\$D3FF	1101	\$D000–\$D07F
1110	\$E000–\$E3FF	1110	\$E000–\$E07F
1111	\$F000–\$F3FF	1111	\$F000–\$F07F

NOTE: When the memory map has the 128-byte register block mapped at the same location as RAM, the registers have priority and the RAM is relocated to the memory space immediately following the register block. This mapping feature keeps all the RAM available for use. Refer to [Figure 3-2](#), which illustrates the overlap.

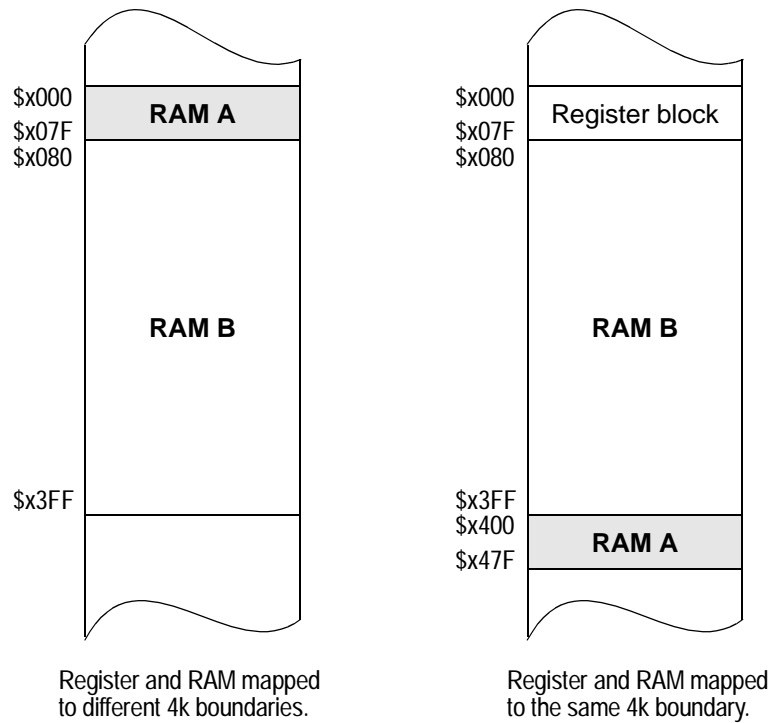


Figure 3-2. RAM and register overlap

3.5.2.3 INIT2 — EEPROM mapping and MI BUS delay register

Address	bit 7	bit 6	bit 5	bit 4	bit 3	bit 2	bit 1	bit 0	State on reset	
EEPROM mapping (INIT2)	\$0037	EE3	EE2	EE1	EE0	M3DL1	M3DL0	M2DL1	M2DL0	0000 0000

This register determines the location of EEPROM in the memory map. INIT2 may be read at any time but bits 7–4 may be written only once after reset in normal modes (bits 3–0 may be written at any time).

EE[3:0] — EEPROM map position

EEPROM is located at \$xD80–\$xFF, where x is the hexadecimal digit represented by EE[3:0]. Refer to [Table 3-6](#).

Table 3-6. EEPROM remapping

EE[3:0]	Location
0000	\$0D80–\$0FFF
0001	\$1D80–\$1FFF
0010	\$2D80–\$2FFF
0011	\$3D80–\$3FFF
0100	\$4D80–\$4FFF
0101	\$5D80–\$5FFF
0110	\$6D80–\$6FFF
0111	\$7D80–\$7FFF
1000	\$8D80–\$8FFF
1001	\$9D80–\$9FFF
1010	\$AD80–\$AFFF
1011	\$BD80–\$BFFF
1100	\$CD80–\$CFFF
1101	\$DD80–\$DFFF
1110	\$ED80–\$EFFF
1111	\$FD80–\$FFFF

M3DL1, M3DL0, M2DL1, M2DL0 — MI BUS delay select (refer to [Motorola Interconnect Bus \(MI BUS\)](#))

3.5.2.4 OPTION — System configuration options register 1

System config. options 1 (OPTION)	Address	bit 7	bit 6	bit 5	bit 4	bit 3	bit 2	bit 1	bit 0	State on reset
	\$0039	ADPU	CSEL	IRQE	DLY	CME	FCME	CR1	CR0	0001 0000

The 8-bit special-purpose OPTION register sets internal system configuration options during initialization. The time protected control bits, IRQE, DLY, FCME and CR[1:0] can be written only once in the first 64 cycles after a reset and then they become read-only bits. This minimizes the possibility of any accidental changes to the system configuration. They may be written at any time in special modes.

ADPU — A/D power-up (refer to [Analog-to-Digital Converter](#))

1 = A/D system power enabled.

0 = A/D system disabled, to reduce supply current.

After enabling the A/D power, at least 100 μ s should be allowed for system stabilization.

CSEL — Clock select (refer to [Analog-to-Digital Converter](#))

1 = A/D and EEPROM use internal RC clock source (about 1.5MHz).

0 = A/D and EEPROM use system E clock (must be at least 1 MHz).

Selects alternate clock source for on-chip EEPROM and A/D charge pumps. The on-chip RC clock should be used when the E clock frequency falls below 1 MHz.

IRQE — Configure $\overline{\text{IRQ}}$ for falling edge sensitive operation

1 = Falling edge sensitive operation.

0 = Low level sensitive operation.

DLY — Enable oscillator start-up delay

1 = A delay of approximately 4064 E clock cycles is imposed as the MCU is started up from the STOP mode.

0 = The oscillator start-up delay coming out of STOP is bypassed and the MCU resumes processing within about four bus cycles. A stable external oscillator is required if this option is selected.

CME — Clock monitor enable (refer to [Resets and Interrupts](#))

1 = Clock monitor enabled.

0 = Clock monitor disabled.

In order to use both STOP and clock monitor, the CME bit should be set before executing STOP, then set again after recovering from STOP.

FCME — Force clock monitor enable (refer to [Resets and Interrupts](#))

1 = Clock monitor enabled; cannot be disabled until next reset.

0 = Clock monitor follows the state of the CME bit.

When FCME is set, slow or stopped clocks will cause a clock failure reset sequence. To utilize STOP mode, FCME should always be cleared.

CR[1:0] — COP timer rate select bits (refer to [Resets and Interrupts](#))

These control bits determine a scaling factor for the watchdog timer.

Operating Modes and On-Chip Memory

3.5.2.5 OPT2 — System configuration options register 2

	Address	bit 7	bit 6	bit 5	bit 4	bit 3	bit 2	bit 1	bit 0	State on reset
System config. options 2 (OPT2)	\$0038	LIRDV	CWOM	STRCH	IRVNE	LSBF	SPR2	0	0	000x 0000

LIRDV — LIR driven

1 = Enable LIR drive high pulse.

0 = LIR only driven low (requires pull-up on pin).

In single chip and bootstrap modes, this bit has no meaning or effect. The LIR pin is normally configured for wired-OR operation (only pulls low). In order to detect consecutive instructions in a high-speed application, this signal can be made to drive high for a quarter of a cycle to prevent false triggering.

CWOM — Port C wired-OR mode

1 = Port C outputs are open-drain.

0 = Port C operates normally.

STRCH — Stretch external accesses

1 = Off-chip accesses are extended by one E clock cycle.

0 = Normal operation.

When this bit is set, off-chip accesses of addresses \$0000–\$7FFF (\$8000–\$FFFF, if ROMAD is clear) are extended by one E clock cycle to allow access to slow peripherals. The E clock stretches externally, but the internal clocks are not affected, so that timers and serial systems are not corrupted. In single chip and boot modes this bit has no effect.

IRVNE — Internal read visibility/not E

IRVNE can be written once in any user mode. In **expanded modes**, IRVNE determines whether IRV is on or off. In special test mode, IRVNE is reset to one. In all other modes, IRVNE is reset to zero.

1 = Data from internal reads is driven out of the external data bus.

0 = No visibility of internal reads on external bus.

In **single chip modes** this bit determines whether the E clock drives out from the chip.

1 = E pin is driven low.

0 = E clock is driven out from the chip.

Refer to the following table for a summary of the operation immediately following reset.

Mode	IRVNE after reset	E clock after reset	IRV after reset	IRVNE affects only	IRVNE can be written
Single chip	0	On	Off	E	Once
Expanded	0	On	Off	IRV	Once
Boot	0	On	Off	E	Once
Special test	1	On	On	IRV	Unlimited

LSBF — LSB-first enable (refer to [Serial Peripheral Interface \(SPI\)](#))

1 = Data is transferred LSB first.

0 = Data is transferred MSB first.

SPR2 — SPI clock rate select (refer to [Serial Peripheral Interface \(SPI\)](#))

This bit adds a divide-by-four to the SPI clock chain.

Bits 1, 0 — not implemented; always read zero.

3.5.2.6 BPROT — Block protect register

Address	bit 7	bit 6	bit 5	bit 4	bit 3	bit 2	bit 1	bit 0	State on reset	
Block protect (BPROT)	\$0035	BULKP	0	BPRT4	PTCON	BPRT3	BPRT2	BPRT1	BPRT0	1011 1111

BPROT prevents accidental writes to EEPROM and the CONFIG register. The bits in this register can be written to zero only once during the first 64 E clock cycles after reset in the normal modes; they can be set at any time. Once the bits are cleared, the EEPROM array and the CONFIG register can be programmed or erased. Setting the bits in the BPROT register to logic one protects the EEPROM and CONFIG register until the next reset. Refer to [Table 3-7](#).

BULKP — Bulk erase of EEPROM protect

1 = EEPROM cannot be bulk or row erased.

0 = EEPROM can be bulk erased normally.

Bit 6 — not implemented; always reads zero.

BPRT4 — Block protect bit for top 128 bytes of EEPROM (see below)

PTCON — Protect for CONFIG register

1 = CONFIG register cannot be programmed or erased.

0 = CONFIG register can be programmed or erased normally.

Note that, in special modes, CONFIG may be written regardless of the state of PTCON.

BPRT[4:0] — Block protect bits for EEPROM

1 = Protection is enabled for associated block; it cannot be programmed or erased.

0 = Protection disabled for associated block.

Each of these five bits protects a block of EEPROM against writing or erasure, as follows:

Table 3-7. EEPROM block protect

Bit name	Block protected	Block size
BPRT0	\$xD80-\$xD9F	32 bytes
BPRT1	\$xDA0-\$xDDF	64 bytes
BPRT2	\$xDE0-\$xE5F	128 bytes
BPRT3	\$xE60-\$xF7F	288 bytes
BPRT4	\$xF80-\$xFFFF	128 bytes

3.5.2.7 TMSK2 — Timer interrupt mask register 2

	Address	bit 7	bit 6	bit 5	bit 4	bit 3	bit 2	bit 1	bit 0	State on reset
Timer interrupt mask 2 (TMSK2)	\$0024	TOI	RTII	PAOVI	PAII	0	0	PR1	PR0	0000 0000

PR[1:0] are time-protected control bits and can be changed only once and then only within the first 64 bus cycles after reset in normal modes.

NOTE: Bits in TMSK2 correspond bit for bit with flag bits in TFLG2. Ones in TMSK2 enable the corresponding interrupt sources.

TOI — Timer overflow interrupt enable

- 1 = Interrupt requested when TOF is set.
- 0 = TOF interrupts disabled.

RTII — Real-time interrupt enable

- 1 = Interrupt requested when RTIF set.
- 0 = RTIF interrupts disabled.

PAOVI — Pulse accumulator overflow interrupt enable (Refer to [Timing System](#))

- 1 = Interrupt requested when PAOVF set.
- 0 = PAOVF interrupts disabled.

PAII — Pulse accumulator interrupt enable (Refer to [Timing System](#))

- 1 = Interrupt requested when PAIF set.
- 0 = PAIF interrupts disabled.

PR[1:0] — Timer prescaler select

These two bits select the prescale rate for the main 16-bit free-running timer system. These bits can be written only once during the first 64 E clock cycles after reset in normal modes, or at any time in special modes. Refer to the following table:

PR[1:0]	Prescale factor
0 0	1
0 1	4
1 0	8
1 1	16

3.6 EPROM, EEPROM and CONFIG register

3.6.1 EPROM

Using the on-chip EPROM programming feature requires an external power supply (V_{PPE}). Normal programming is accomplished using the EPROG register. Program EPROM at room temperature only and place an opaque label over the quartz window after programming.

The erased state of each EPROM byte is \$FF.

3.6.1.1 EPROG — EPROM programming control register

	Address	bit 7	bit 6	bit 5	bit 4	bit 3	bit 2	bit 1	bit 0	State on reset
EPROM programming (EPROG)	\$002B	MBE	0	ELAT	EXCO L	EXRO W	0	0	EPGM	0000 0000

MBE — Multiple byte program enable

1 = Program four bytes with the same data.

0 = Normal programming.

When programming four bytes simultaneously, address bits 7 and 4 are ignored, hence a write to, for example, \$99 will actually program \$09, \$19, \$89 and \$99 (i.e. %x00x 1001). This bit may be read or written only in special modes; it will always read zero in normal modes.

Bits 6, 2, 1 — Not implemented; always read zero.

ELAT — EPROM latch control

1 = EPROM address and data buses configured for programming. EPROM cannot be read.

0 = EPROM address and data buses configured for normal operation.

When set, this bit causes the address and data for writes to the EPROM to be latched. ELAT may be read and written at any time.

EXCOL — *Select extra columns*

1 = User array disabled; extra column selected.

0 = User array selected.

The extra column may be accessed at bit 7; addresses use bits 11–5, bits 4–0 must be ones. The EXCOL bit always reads zero in normal modes and may be read or written only in special modes.

EXROW — *Select extra rows*

1 = User array disabled; extra rows selected.

0 = User array selected.

There are four extra rows (two in each block). Addresses use bits 6–0, bits 11–7 must be zeros. (The high nibble determines which 16k block is accessed.) The EXROW bit always reads zero in normal modes and may be read or written only in special modes.

EPGM — *EPROM program command*

1 = Programming voltage (V_{PPE}) switched to the EPROM array.

0 = Programming voltage (V_{PPE}) disconnected from the EPROM array.

This bit can be read at any time, but may only be written if ELAT is set.

NOTE: *If ELAT = 0 (normal operation) then EPGM = 0 (programming voltage disconnected).*

3.6.1.2 EPROM programming

The EPROM may be programmed and verified in software, via the MCU, using the following procedure. The ROMON bit in the CONFIG register should be set. On entry, A contains the data to be programmed and X contains the EPROM address.

EPROG	LDAB	#\$20	
	STAB	\$102B	Set ELAT bit (PGM=0) to enable EPROM latches.
	STAA	\$0, X	Store data to EPROM address
	LDAB	#\$21	
	STAB	\$102B	Set EPGM bit, with ELAT=1, to enable prog. voltage
	JSR	DLYEP	Delay 2–4 ms
	CLR	\$102B	Turn off programming voltage and set to READ mode

With this method, the EPROM is programmed by software while in the special test or bootstrap mode. User-developed software can be uploaded through the SCI, or a ROM resident EPROM programming

utility can be used. To use the resident utility, bootload a three-byte program consisting of a single jump instruction to \$BF00. \$BF00 is the starting address of a resident EPROM programming utility. The utility program sets the X and Y index registers to default values, then receives programming data from an external host and puts it in EPROM. The value in IX determines programming delay time. The value in IY is a pointer to the first address in EPROM to be programmed (default = \$D000). When the utility program is ready to receive programming data, it sends the host an \$FF character; then it waits. When the host sees the \$FF character, the EPROM programming data is sent, starting with location \$D000. After the last byte to be programmed is sent and the corresponding verification data is returned, the programming operation is terminated by resetting the MCU.

3.6.2 EEPROM

The 640-byte on-board EEPROM is initially located from \$0D80 to \$0FFF after reset in all modes. It can be mapped to any other 4k boundary by writing to the INIT2 register. The EEPROM is enabled by the EEON bit in the CONFIG register. Programming and erasing is controlled by the PPROG register.

Unlike information stored in ROM, data in the 640 bytes of EEPROM can be erased and reprogrammed under software control. Because programming and erasing operations use an on-chip charge pump driven by V_{DD} , a separate external power supply is not required.

An internal charge pump supplies the programming voltage. Use of the block protect register (BPROT) prevents inadvertent writes to (or erases of) blocks of EEPROM (see [BPROT — Block protect register](#)). The CSEL bit in the OPTION register selects an on-chip oscillator clock for programming and erasing while operating at frequencies below 2MHz. Refer to [Resets and Interrupts](#).

In special modes there two extra rows and columns of EEPROM, which are used for factory testing. Endurance and data retention specifications do not apply to these cells.

The erased state of each EEPROM byte is \$FF.

3.6.2.1 PPROG — EEPROM programming control register

	Address	bit 7	bit 6	bit 5	bit 4	bit 3	bit 2	bit 1	bit 0	State on reset
EEPROM programming (PPROG)	\$003B	ODD	EVEN	0	BYTE	ROW	ERASE	EELAT	EEPGM	0000 0000

NOTE: Writes to EEPROM addresses are inhibited while EEPGM is one. A write to a different EEPROM location is prevented while a program or erase operation is in progress.

ODD — Program odd rows in half of EEPROM (Test)

EVEN — Program even rows in half of EEPROM (Test)

If both ODD and EVEN are set to one then all odd and even rows in half of the EEPROM will be programmed with the same data, within one programming cycle.

Bit 5 — Not implemented; always reads zero.

BYTE — EEPROM byte erase mode

1 = Erase only one byte of EEPROM.

0 = Row or bulk erase mode used.

ROW — EEPROM row/bulk erase mode (only valid when BYTE = 0)

1 = Erase only one 16 byte row of EEPROM.

0 = Erase all 640 bytes of EEPROM.

Table 3-8. Erase mode selection

Byte	Row	Action
0	0	Bulk erase (all 640 bytes)
0	1	Row erase (16 bytes)
1	0	Byte erase
1	1	Byte erase

ERASE — Erase/normal control for EEPROM

1 = Erase mode.

0 = Normal read or program mode.

EELAT — EEPROM latch control

1 = EEPROM address and data bus set up for programming or erasing.

0 = EEPROM address and data bus set up for normal reads.

When the EELAT bit is cleared, the EEPROM can be read as if it were a ROM. The block protect register has no effect during reads.

EEPGM — EEPROM program command

1 = Program or erase voltage switched on to EEPROM array.

0 = Program or erase voltage switched off to EEPROM array.

During EEPROM programming, the ROW and BYTE bits of PPROG are not used. If the frequency of the E clock is 1 MHz or less, set the CSEL bit in the OPTION register. Remember that zeros must be erased by a separate erase operation before programming. The following example of how to program an EEPROM byte assumes that the appropriate bits in BPROT have been cleared.

PROG	LDAB	#\$02	EELAT=1
	STAB	\$103B	Set EELAT bit
	STAA	\$0D80	Store data to EEPROM address
	LDAB	#\$03	EELAT=EEPGM=1
	STAB	\$103B	Turn on programming voltage
	JSR	DLY10	Delay 10 ms
	CLR	\$103B	Turn off high voltage and set to READ mode

3.6.2.2 EEPROM bulk erase

To erase the EEPROM, ensure that the proper bits of the BPROT register are cleared, then complete the following steps using the PPROG register:

1. Write to PPROG with the ERASE, EELAT and appropriate BYTE and ROW bits set.
2. Write to the appropriate EEPROM address with any data. Row erase only requires a write to any location in the row. Bulk erase is accomplished by writing to any location in the array.
3. Write to PPROG with ERASE, EELAT, EEPMGM and the appropriate BYTE and ROW bits set.
4. Delay for 10 ms.
5. Clear the EEPMGM bit in PPROG to turn off the high voltage.

6. Clear the PPROG register to reconfigure the EEPROM address and data buses for normal operation.

The following is an example of how to bulk erase the 512-byte EEPROM. The CONFIG register is not affected in this example.

```

BULKE  LDAB  #02    EELAT=1
        STAB  $103B Set EELAT bit
        STAA  $0D80 Store data to any EEPROM address
        LDAB  #03    EELAT=EEPGM=1
        STAB  $103B Turn on programming voltage
        JSR   DLY10 Delay 10 ms
        CLR   $103B Turn off high voltage and set to READ mode
  
```

3.6.2.3 EEPROM row erase

The following example shows how to perform a fast erase of large sections of EEPROM:

```

ROWE   LDAB  #0E    ROW=ERASE=EELAT=1
        STAB  $103B Set to ROW erase mode
        STAB  0,X   Write any data to any address in ROW
        LDAB  #0F    ROW=ERASE=EELAT=EEPGM=1
        STAB  $103B Turn on high voltage
        JSR   DLY10 Delay 10 ms
        CLR   $103B Turn off high voltage and set to READ mode
  
```

3.6.2.4 EEPROM byte erase

The following is an example of how to erase a single byte of EEPROM:

```

BYTEE  LDAB  #16    BYTE=ERASE=EELAT=1
        STAB  $103B Set to BYTE erase mode
        STAB  0,X   Write any data to address to be erased
        LDAB  #17    BYTE=ERASE=EELAT=EEPGM=1
        STAB  $103B Turn on high voltage
        JSR   DLY10 Delay 10 ms
        CLR   $103B Turn off high voltage and set to READ mode
  
```

3.6.3 CONFIG register programming

Because the CONFIG register is implemented with EEPROM cells, use EEPROM procedures to erase and program this register. The procedure for programming is the same as for programming a byte in the EEPROM array, except that the CONFIG register address is used. CONFIG can be programmed or erased (including byte erase) while the MCU is operating in any mode, provided that PTCON in BPROT is clear. To change the value in the CONFIG register, complete the following procedure. Do not initiate a reset until the procedure is complete.

1. Erase the CONFIG register.
2. Program the new value to the CONFIG address.
3. Initiate reset.

CONFIG — System configuration register

	Address	bit 7	bit 6	bit 5	bit 4	bit 3	bit 2	bit 1	bit 0	State on reset
Configuration control (CONFIG)	\$003F	ROMA D	1	1	PARE N	NOSE C	NOCO P	ROMO N	EEON	x11x 1xxx

For a description of the bits contained in the CONFIG register refer to [CONFIG — System configuration register](#).

CONFIG is made up of EEPROM cells and static working latches. The operation of the MCU is controlled directly by these latches and not the EEPROM byte. When programming the CONFIG register, the EEPROM byte is accessed. When the CONFIG register is read, the static latches are accessed.

These bits can be read at any time. The value read is the one latched into the register from the EEPROM cells during the last reset sequence. A new value programmed into this register is not readable until after a subsequent reset sequence. Unused bits always read as ones.

If SMOD = 1, CONFIG bits can be written at any time. If SMOD = 0, CONFIG bits can only be written using the EEPROM programming sequence, and are neither readable nor active until latched via the next reset.

3.6.4 RAM and EEPROM security

The optional security feature protects the contents of EEPROM and RAM from unauthorized access. A program, or a key portion of a program, can be protected against duplication. To accomplish this, the protection mechanism restricts operation of protected devices to single chip modes, and thus prevents the memory locations from being monitored externally (single chip modes do not allow visibility of the internal address and data buses). Resident programs, however, have unlimited access to the internal EEPROM and RAM and can read, write, or transfer the contents of these memories. The NOSEC bit in the CONFIG register disables this feature on devices that incorporate it. Contact a Motorola representative for information on the availability of this feature.

If the security feature is present and enabled and bootstrap mode is selected, then the following sequence is performed by the bootstrap program:

1. Output \$FF on the SCI.
2. Turn block protect off. Clear BPROT register.
3. IF EEPROM is enabled, erase it all.
4. Verify that the EEPROM is erased; if not, begin sequence again.
5. Write \$FF to every RAM byte.
6. Erase the CONFIG register.

If all the above operations are successful, the bootloading process continues as if the device has not been secured.

CONFIG — System configuration register

	Address	bit 7	bit 6	bit 5	bit 4	bit 3	bit 2	bit 1	bit 0	State on reset
Configuration control (CONFIG)	\$003F	ROMA D	1	1	PAREN	NOSE C	NOCO P	ROMO N	EEON	x11x 1xxx

For a description of the other bits contained in the CONFIG register refer to [CONFIG — System configuration register](#).

Operating Modes and On-Chip Memory

NOSEC — EEPROM security disabled

1 = Disable security.

0 = Enable security.

NOTE: *MC68HC11P2 devices are normally manufactured with NOSEC set to one and the security option is unavailable. On special request, a mask option is selected during fabrication that enables the security mode. On these parts, the secure mode is invoked by programming the NOSEC bit to zero.*

Section 4. Parallel Input/Output

4.1 Contents

4.2	Introduction	73
4.3	Port A	74
4.4	Port B	75
4.5	Port C	77
4.6	Port D	78
4.7	Port E	79
4.8	Port F	80
4.9	Port G	81
4.10	Port H	82
4.11	Internal pull-up/pull-down resistors	83
4.12	System configuration	84

4.2 Introduction

The MC68HC11P2 has up to 54 input/output lines and 8 input-only lines, depending on the operating mode. To enhance the I/O functions, the data bus of this microcontroller is nonmultiplexed. The following table is a summary of the configuration and features of each port.

Table 4-1. Port configuration

Port	Input pins	Output pins	Bidirectional pins	Alternate functions
A	—	—	8	Timer
B	—	—	8	High order address
C	—	—	8	Data bus
D	—	—	6	SPI and SCI1
E	8	—	—	A/D converter
F	—	—	8	Low order address
G	—	—	8	R/W on PG7
H	—	—	8	PWM and SCI2/3 (with MI BUS)

NOTE: Do not confuse pin function with the electrical state of that pin at reset. All general-purpose I/O pins that are configured as inputs at reset are in a high-impedance state and the contents of the port data registers are undefined; in port descriptions, a ‘u’ indicates this condition. The pin function is mode dependent.

4.3 Port A

Port A is an 8-bit bidirectional port, with both data and data direction registers. In addition to their I/O capability, port A pins are shared with timer functions, as shown in the following table.

Pin	Alternate function
PA0	IC3
PA1	IC2
PA2	IC1
PA3	OC5 and/or OC1, or IC4
PA4	OC4 and/or OC1
PA5	OC3 and/or OC1
PA6	OC2 and/or OC1
PA7	PAI and/or OC1

See [Timing System](#) for more information.

On reset the pins are configured as general purpose high-impedance inputs.

4.3.1 PORTA — Port A data register

	Address	bit 7	bit 6	bit 5	bit 4	bit 3	bit 2	bit 1	bit 0	State on reset
Port A data (PORTA)	\$0000	PA7	PA6	PA5	PA4	PA3	PA2	PA1	PA0	undefined

This is a read/write register and is not affected by reset. The bits may be read and written at any time, but, when a pin is allocated to its alternate function, a write to the corresponding register bit has no affect on the pin state.

4.3.2 DDRA — Data direction register for port A

	Address	bit 7	bit 6	bit 5	bit 4	bit 3	bit 2	bit 1	bit 0	State on reset
Data direction A (DDRA)	\$0001	DDA7	DDA6	DDA5	DDA4	DDA3	DDA2	DDA1	DDA0	0000 0000

DDA[7:0] — Data direction for port A

1 = The corresponding pin is configured as an output.

0 = The corresponding pin is configured as an input.

4.4 Port B

Port B is an 8-bit bidirectional port, with both data and data direction registers. In addition to their I/O capability, port B pins are used as the nonmultiplexed high order address pins, as shown in the following table.

Pin	Alternate function
PB0	A8
PB1	A9
PB2	A10
PB3	A11
PB4	A12
PB5	A13
PB6	A14
PB7	A15

In expanded or test mode, the pins become the high order address and port B is not included in the memory map.

The state of the pins on reset is mode dependent. In single chip or bootstrap mode, port B pins are high-impedance inputs with selectable internal pull-up resistors (see [Internal pull-up/pull-down resistors](#)). In expanded or test mode, port B pins are high order address outputs and PORTB/DDR B are not in the memory map.

4.4.1 PORTB — Port B data register

	Address	bit 7	bit 6	bit 5	bit 4	bit 3	bit 2	bit 1	bit 0	State on reset
Port B data (PORTB)	\$0004	PB7	PB6	PB5	PB4	PB3	PB2	PB1	PB0	undefined

The bits may be read and written at any time and are not affected by reset.

4.4.2 DDRB — Data direction register for port B

	Address	bit 7	bit 6	bit 5	bit 4	bit 3	bit 2	bit 1	bit 0	State on reset
Data direction B (DDR B)	\$0002	DDB7	DDB6	DDB5	DDB4	DDB3	DDB2	DDB1	DDB0	0000 0000

DDB[7:0] — Data direction for port B

1 = The corresponding pin is configured as an output.

0 = The corresponding pin is configured as an input.

4.5 Port C

Port C is an 8-bit bidirectional port, with both data and data direction registers. In addition to their I/O capability, port C pins are used as the nonmultiplexed data bus pins, as shown in the following table.

Pin	Alternate function
PC0	D0
PC1	D1
PC2	D2
PC3	D3
PC4	D4
PC5	D5
PC6	D6
PC7	D7

In expanded or test mode, the pins become the data bus and port C is not included in the memory map.

The state of the pins on reset is mode dependent. In single chip or bootstrap mode, port C pins are high-impedance inputs. In expanded or test modes, port C pins are the data bus I/O and PORTC/DDRC are not in the memory map.

4.5.1 PORTC — Port C data register

	Address	bit 7	bit 6	bit 5	bit 4	bit 3	bit 2	bit 1	bit 0	State on reset
Port C data (PORTC)	\$0006	PC7	PC6	PC5	PC4	PC3	PC2	PC1	PC0	undefined

The bits may be read and written at any time and are not affected by reset.

4.5.2 DDRC — Data direction register for port C

	Address	bit 7	bit 6	bit 5	bit 4	bit 3	bit 2	bit 1	bit 0	State on reset
Data direction C (DDRC)	\$0007	DDC7	DDC6	DDC5	DDC4	DDC3	DDC2	DDC1	DDC0	0000 0000

DDC[7:0] — Data direction for port C

1 = The corresponding pin is configured as an output.

0 = The corresponding pin is configured as an input.

4.6 Port D

Port D is a 6-bit bidirectional port, with both data and data direction registers. In addition to their I/O capability, port D pins are shared with SCI and SPI functions, as shown in the following table.

Pin	Alternate function
PD0	RXD1
PD1	TXD1
PD2	MISO
PD3	MOSI
PD4	SCK
PD5	SS

) See [Serial Communications Interface \(SCI\)](#) for more information.

) See [Serial Peripheral Interface \(SPI\)](#) for more information.

On reset the pins are configured as general purpose high-impedance inputs.

4.6.1 PORTD — Port D data register

	Address	bit 7	bit 6	bit 5	bit 4	bit 3	bit 2	bit 1	bit 0	State on reset
Port D data (PORTD)	\$0008	0	0	PD5	PD4	PD3	PD2	PD1	PD0	undefined

This is a read/write register and is not affected by reset. The bits may be read and written at any time, but, when a pin is allocated to its alternate function, a write to the corresponding register bit has no affect on the pin state.

4.6.2 DDRD — Data direction register for port D

	Address	bit 7	bit 6	bit 5	bit 4	bit 3	bit 2	bit 1	bit 0	State on reset
Data direction D (DDRD)	\$0009	0	0	DDD5	DDD4	DDD3	DDD2	DDD1	DDD0	0000 0000

Bits [7:6] — Reserved; always read zero

DDD[5:0] — Data direction for port D

1 = The corresponding pin is configured as an output.

0 = The corresponding pin is configured as an input.

4.7 Port E

Port E is an 8-bit input-only port. In addition to their input capability, port E pins are shared with A/D functions, as shown in the following table.

Pin	Alternate function
PE0	AD0
PE1	AD1
PE2	AD2
PE3	AD3
PE4	AD4
PE5	AD5
PE6	AD6
PE7	AD7

See [Analog-to-Digital Converter](#) for more information.

On reset the pins are configured as general purpose high-impedance inputs.

4.7.1 PORTE — Port E data register

	Address	bit 7	bit 6	bit 5	bit 4	bit 3	bit 2	bit 1	bit 0	State on reset
Port E data (PORTE)	\$000A	PE7	PE6	PE5	PE4	PE3	PE2	PE1	PE0	undefined

This is a read-only register and is not affected by reset. The bits may be read at any time.

NOTE: *As port E shares pins with the A/D converter, a read of this register may affect any conversion currently in progress, if it coincides with the sample portion of the conversion cycle. Hence, normally port E should not be read during the sample portion of any conversion.*

4.8 Port F

Port F is an 8-bit bidirectional port, with both data and data direction registers. In addition to their I/O capability, port F pins are used as the non-multiplexed low order address pins, as shown in the following table.

Pin	Alternate function
PF0	A0
PF1	A1
PF2	A2
PF3	A3
PF4	A4
PF5	A5
PF6	A6
PF7	A7

In expanded or test mode, the pins become the low order address and port F is not included in the memory map.

The state of the pins on reset is mode dependent. In single chip or bootstrap mode, port F pins are high-impedance inputs with selectable internal pull-up resistors (see [Internal pull-up/pull-down resistors](#)). In expanded or test modes, port F pins are low order address outputs and PORTF/DDRPF are not in the memory map.

4.8.1 PORTF — Port F data register

	Address	bit 7	bit 6	bit 5	bit 4	bit 3	bit 2	bit 1	bit 0	State on reset
Port F data (PORTF)	\$0005	PF7	PF6	PF5	PF4	PF3	PF2	PF1	PF0	undefined

The bits may be read and written at any time and are not affected by reset.

4.8.2 DDRF — Data direction register for port F

	Address	bit 7	bit 6	bit 5	bit 4	bit 3	bit 2	bit 1	bit 0	State on reset
Data direction F (DDRF)	\$0003	DDF7	DDF6	DDF5	DDF4	DDF3	DDF2	DDF1	DDF0	0000 0000

DDF[7:0] — Data direction for port F

1 = The corresponding pin is configured as an output.

0 = The corresponding pin is configured as an input.

4.9 Port G

Port G is an 8-bit bidirectional port, with both data and data direction registers. In addition to its I/O capability, port G pin 7 (PG7) is used as the $\overline{R/W}$ pin in expanded and test modes.

The state of PG7 on reset is mode dependent. In single chip or bootstrap mode, PG7 is a high-impedance input. In expanded or test modes, PG7 is the $\overline{R/W}$ output. The remaining pins (PG[6:0]) are high-impedance inputs, with software selectable internal pull-up resistors (see [Internal pull-up/pull-down resistors](#)).

Parallel Input/Output

4.9.1 PORTG — Port G data register

	Address	bit 7	bit 6	bit 5	bit 4	bit 3	bit 2	bit 1	bit 0	State on reset
Port G data (PORTG)	\$007E	PG7	PG6	PG5	PG4	PG3	PG2	PG1	PG0	undefined

The bits may be read and written at any time and are not affected by reset.

4.9.2 DDRG — Data direction register for port G

	Address	bit 7	bit 6	bit 5	bit 4	bit 3	bit 2	bit 1	bit 0	State on reset
Data direction G (DDRG)	\$007F	DDG7	DDG6	DDG5	DDG4	DDG3	DDG2	DDG1	DDG0	0000 0000

DDG[7:0] — Data direction for port G

1 = The corresponding pin is configured as an output.

0 = The corresponding pin is configured as an input.

4.10 Port H

Port H is an 8-bit bidirectional port, with both data and data direction registers. In addition to their I/O capability, port H pins are shared with SCI/MI BUS and PWM functions, as shown in the following table.

Pin	Alternate function
PH0	PW1
PH1	PW2
PH2	PW3
PH3	PW4
PH4	RXD2
PH5	TXD2
PH6	RXD3
PH7	TXD3

See [Timing System](#) for more information.

See [Serial Communications Interface \(SCI\)](#) and [Motorola Interconnect Bus \(MI BUS\)](#) for more information.

On reset the pins are configured as general purpose high-impedance inputs with selectable internal resistors. The internal resistors are pull-

ups on pins 7–4 and pull-downs on pins 3–0 (see [Internal pull-up/pull-down resistors](#)).

4.10.1 PORTH — Port H data register

	Address	bit 7	bit 6	bit 5	bit 4	bit 3	bit 2	bit 1	bit 0	State on reset
Port H data (PORTH)	\$007C	PH7	PH6	PH5	PH4	PH3	PH2	PH1	PH0	undefined

This is a read/write register and is not affected by reset. The bits may be read and written at any time, but, when a pin is allocated to its alternate function, a write to the corresponding register bit has no affect on the pin state.

4.10.2 DDRH — Data direction register for port H

	Address	bit 7	bit 6	bit 5	bit 4	bit 3	bit 2	bit 1	bit 0	State on reset
Data direction H (DDRH)	\$007D	DDH7	DDH6	DDH5	DDH4	DDH3	DDH2	DDH1	DDH0	0000 0000

DDH[7:0] — Data direction for port H

1 = The corresponding pin is configured as an output.

0 = The corresponding pin is configured as an input.

4.11 Internal pull-up/pull-down resistors

Three of the ports (B, F and G) have internal, software selectable pull-up resistors. Port H has both pull-up and pull-down resistors, as described below.

4.11.1 PPAR — Port pull-up assignment register

	Address	bit 7	bit 6	bit 5	bit 4	bit 3	bit 2	bit 1	bit 0	State on reset
Port pull-up assignment (PPAR)	\$002C	0	0	0	0	HPPUE	GPPUE	FPPUE	BPPUE	0000 1111

Bits [7:4] — Not implemented; always read zero

xPPUE — Port x pin pull-up enable

These bits control the on-chip pull-up devices connected to all the pins on I/O ports B, F, G and H. They are collectively enabled or disabled via the PAREN bit in the CONFIG register (see below).

1 = Port x pin on-chip pull-up devices enabled.

0 = Port x pin on-chip pull-up devices disabled.

NOTE: Port H [7:4] have pull-up resistors; port H [3:0] have pull-down resistors. All eight internal resistors are enabled if HPPUE is set.

NOTE: FPPUE and BPPUE have no effect in expanded mode since ports F and B are dedicated address bus outputs.

4.12 System configuration

One bit in each of the following registers is directly concerned with the configuration of the I/O ports. For full details on the other bits in the registers, refer to the appropriate section.

4.12.1 OPT2 — System configuration options register 2

	Address	bit 7	bit 6	bit 5	bit 4	bit 3	bit 2	bit 1	bit 0	State on reset
System config. options 2 (OPT2)	\$0038	LIRDV	CWOM	STRCH	IRVNE	LSBF	SPR2	0	0	000x 0000

LIRDV — LIR driven (refer to [Operating Modes and On-Chip Memory](#))

1 = Enable LIR drive high pulse.

0 = LIR only driven low – requires pull-up on pin.

CWOM — Port C wired-OR mode

1 = Port C outputs are open-drain.

0 = Port C operates normally.

STRCH — Stretch external accesses (refer to [Operating Modes and On-Chip Memory](#))

1 = Off-chip accesses are extended by one E clock cycle.

0 = Normal operation.

IRVNE — Internal read visibility/not E (refer to [Operating Modes and On-Chip Memory](#))

1 = Data from internal reads is driven out of the external data bus.

0 = No visibility of internal reads on external bus.

In **single chip mode** this bit determines whether the E clock drives out from the chip.

1 = E pin is driven low.

0 = E clock is driven out from the chip.

LSBF — LSB first enable (refer to [Serial Peripheral Interface \(SPI\)](#))

1 = Data is transferred LSB first.

0 = Data is transferred MSB first.

SPR2 — SPI clock rate select (refer to [Serial Peripheral Interface \(SPI\)](#))

Bits 1, 0 — not implemented; always read zero.

4.12.2 CONFIG — System configuration register

	Address	bit 7	bit 6	bit 5	bit 4	bit 3	bit 2	bit 1	bit 0	State on reset
Configuration control (CONFIG)	\$003F	ROMAD	1	1	PAREN	NOSEC	NOCOP	PROMON	EEON	x11x 1xxx

ROMAD — ROM mapping control (refer to [Operating Modes and On-Chip Memory](#))

1 = ROM addressed from \$8000 to \$FFFF.

0 = ROM addressed from \$0000 to \$7FFF (expanded mode only).

Bits 6,5 — Not implemented; always read one

PAREN — Pull-up assignment register enable

1 = PPAR register enabled; pull-ups can be enabled using PPAR.

0 = PPAR register disabled; all pull-ups disabled.

NOSEC — EEPROM security disabled (refer to [Operating Modes and On-Chip Memory](#))

1 = Disable security.

0 = Enable security.

NOCOP — COP system disable (refer to [Resets and Interrupts](#))

1 = COP system disabled.

0 = COP system enabled (forces reset on timeout).

ROMON — ROM enable (refer to [Operating Modes and On-Chip Memory](#))

1 = ROM present in the memory map.

0 = ROM disabled from the memory map.

EEON — EEPROM enable (refer to [Operating Modes and On-Chip Memory](#))

1 = EEPROM is present in the memory map.

0 = EEPROM is disabled from the memory map.

Section 5. Serial Communications Interface (SCI)

5.1 Contents

5.2	Introduction	87
5.3	Data format	88
5.4	Transmit operation	89
5.5	Receive operation	89
5.6	Wakeup feature	91
5.7	SCI error detection	92
5.8	SCI registers	93
5.9	Status flags and interrupts	101
5.10	Additional SCI subsystems	104

5.2 Introduction

The serial communications interface (SCI) is a universal asynchronous receiver transmitter (UART). It has a non-return to zero (NRZ) format (one start, eight or nine data, and one stop bit) that is compatible with standard RS-232 systems.

The MC68HC11P2 contains three serial communications interfaces, all having similar operation. For ease of reference, a full description of SCI1 (PD0/RXD1, PD1/TXD1) is given first, followed by summaries for **SCI2** and **SCI3**, detailing their differences.

Serial Communications Interface (SCI)

The SCI shares I/O with two of port D's pins:

Pin	Alternate function
PD0	RXD1
PD1	TXD1

The SCI transmit and receive functions are enabled by TE and RE respectively, in SCCR2.

The SCI features enabled on this MCU include: 13-bit modulus prescaler; idle line detect; receiver-active flag; transmitter and receiver hardware parity. A block diagram of the enhanced baud rate generator is shown in [Figure 5-1](#). See [Table 5-1](#) for example baud rate control values.

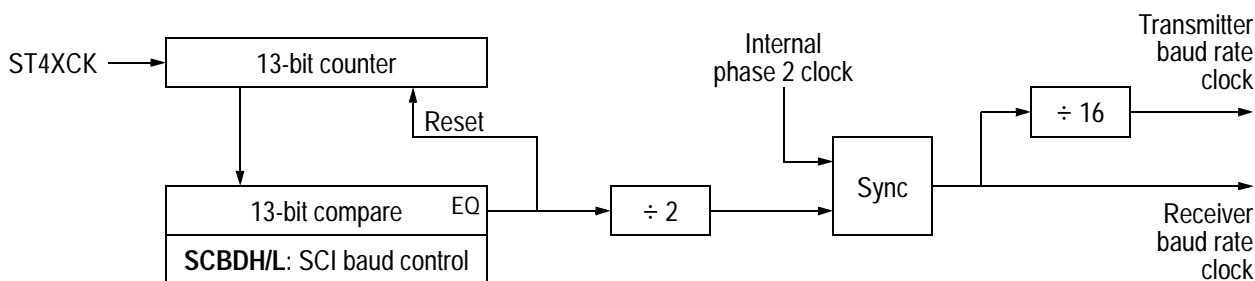


Figure 5-1. SCI baud rate generator circuit diagram

5.3 Data format

The serial data format requires the following conditions:

- An idle-line condition before transmission or reception of a message.
- A start bit, logic zero, transmitted or received, that indicates the start of each character.
- Data that is transmitted and received least significant bit (LSB) first.

- A stop bit, logic one, used to indicate the end of a frame. (A frame consists of a start bit, a character of eight or nine data bits, and a stop bit.)
- A break (defined as the transmission or reception of a logic zero for some multiple number of frames).

Selection of the word length is controlled by the M bit of SCCR1.

5.4 Transmit operation

The SCI transmitter includes a parallel data register (SCDRH/SCDRL) and a serial shift register. The contents of the shift register can only be written through the serial data registers. This double buffered operation allows a character to be shifted out serially while another character is waiting in the serial data registers to be transferred into the shift register. The output of the shift register is applied to TXD as long as transmission is in progress or the transmit enable (TE) bit of serial communication control register 2 (SCCR2) is set. The block diagram, [Figure 5-2](#), shows the transmit serial shift register and the buffer logic at the top of the figure.

5.5 Receive operation

During receive operations, the transmit sequence is reversed. The serial shift register receives data and transfers it to the parallel receive data registers (SCDRH/SCDRL) as a complete word. This double buffered operation allows a character to be shifted in serially while another character is still in the serial data registers. An advanced data recovery scheme distinguishes valid data from noise in the serial data stream. The data input is selectively sampled to detect receive data, and majority sampling logic determines the value and integrity of each bit.

Serial Communications Interface (SCI)

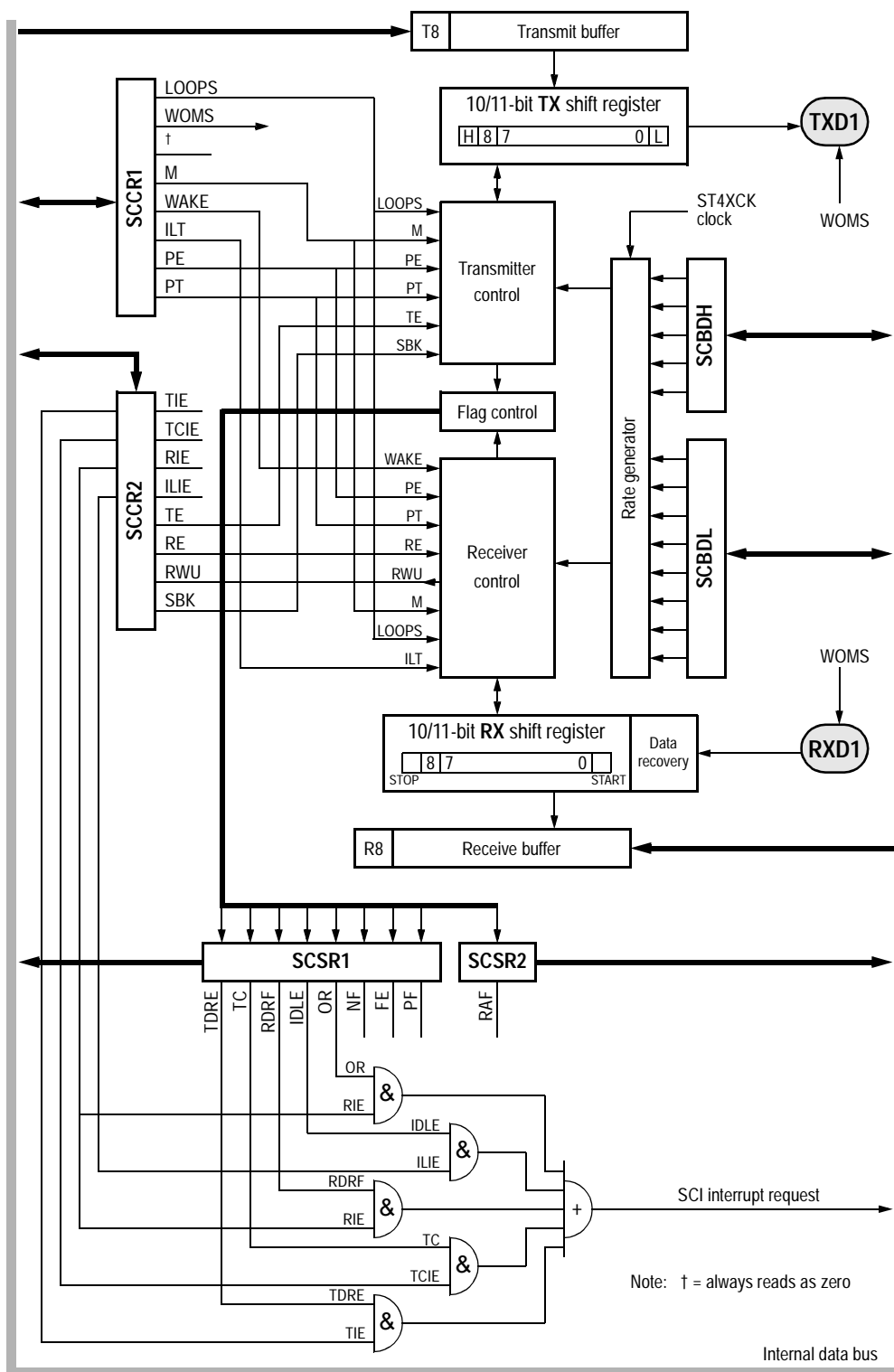


Figure 5-2. SCI1 block diagram

5.6 Wakeup feature

The wakeup feature reduces SCI service overhead in multiple receiver systems. Software for each receiver evaluates the first character or frame of each message. All receivers are placed in wakeup mode by writing a one to the RWU bit in the SCCR2 register. When RWU is set, the receiver-related status flags (RDRF, IDLE, OR, NF, FE, and PF) are inhibited (cannot be set). Although RWU can be cleared by a software write to SCCR2, to do so would be unusual. Normally RWU is set by software and is cleared automatically with hardware. Whenever a new message begins, logic alerts the dormant receivers to wake up and evaluate the initial character of the new message.

Two methods of wakeup are available: idle-line wakeup and address mark wakeup. During idle-line wakeup, a dormant receiver activates as soon as the RXD line becomes idle. In the address mark wakeup, logic one in the most significant bit (MSB) of a character activates all sleeping receivers. To use either receiver wakeup method, establish a software addressing scheme to allow the transmitting devices to direct messages to individual receivers or to groups of receivers. This addressing scheme can take any form as long as all transmitting and receiving devices are programmed to understand the same scheme.

5.6.1 Idle-line wakeup

Clearing the WAKE bit in SCCR1 register enables idle-line wakeup mode. In idle-line wakeup mode, all receivers are active (RWU bit in SCCR2 = 0) when each message begins. The first frames of each message are addressing frames. Each receiver in the system evaluates the addressing frames of a message to determine if the message is intended for that receiver. When a receiver finds that the message is not intended for it, it sets the RWU bit. Once set, the RWU control bit disables all but the necessary receivers for the remainder of the message, thus reducing software overhead for the remainder of that message. As soon as an idle line is detected by receiver logic, hardware automatically clears the RWU bit so that the first frames of the next message can be evaluated by all receivers in the system. This type of

receiver wakeup requires a minimum of one idle frame time between messages, and no idle time between frames within a message.

5.6.2 Address-mark wakeup

Setting the WAKE bit in SCCR1 register enables address-mark wakeup mode. The address-mark wakeup method uses the MSB of each frame to differentiate between address information (MSB = 1) and actual message data (MSB = 0). All frames consist of seven information bits (eight bits if M bit in SCCR1 = 1) and an MSB which, when set to one, indicates an address frame. The first frames of each message are addressing frames. Receiver logic evaluates these marked frames to determine the receivers for which that message is intended. When a receiver finds that the message is not intended for it, it sets the RWU bit. Once set, the RWU control bit disables all but the necessary receivers for the remainder of the message, thus reducing software overhead for the remainder of that message. When the next message begins, its first frame will have the MSB set which will automatically clear the RWU bit and indicate that this is an addressing frame. This frame is always the first frame received after wakeup because the RWU bit is cleared before the stop bit for the first frame is received. This method of wakeup allows messages to include idle times, however, there is a loss in efficiency due to the extra bit time required for the address bit in each frame.

5.7 SCI error detection

Four error conditions can occur during SCI operation. These error conditions are: serial data register overrun, received bit noise, framing, and parity error. Four bits (OR, NF, FE, and PF) in serial communications status register 1 (SCSR1) indicate if one of these error conditions exists.

The overrun error (OR) bit is set when the next byte is ready to be transferred from the receive shift register to the serial data registers (SCDRH/SCDRL) and the registers are already full (RDRF bit is set). When an overrun error occurs, the data that caused the overrun is lost and the data that was already in serial data registers is not disturbed.

The OR is cleared when the SCSR is read (with OR set), followed by a read of the SCI data registers.

The noise flag (NF) bit is set if there is noise on any of the received bits, including the start and stop bits. The NF bit is not set until the RDRF flag is set. The NF bit is cleared when the SCSR is read (with FE equal to one) followed by a read of the SCI data registers.

When no stop bit is detected in the received data character, the framing error (FE) bit is set. FE is set at the same time as the RDRF. If the byte received causes both framing and overrun errors, the processor only recognizes the overrun error. The framing error flag inhibits further transfer of data into the SCI data registers until it is cleared. The FE bit is cleared when the SCSR is read (with FE equal to one) followed by a read of the SCI data registers.

The parity error flag (PF) is set if received data has incorrect parity. The flag is cleared by a read of SCSR1 with PE set, followed by a read of SCDR.

5.8 SCI registers

There are eight addressable registers in the SCI. SCBDH, SCBDL, SCCR1, and SCCR2 are control registers. The contents of these registers control functions and indicate conditions within the SCI. The status registers SCSR1 and SCSR2 contain bits that indicate certain conditions within the SCI. SCDRH and SCDRL are SCI data registers. These double buffered registers are used for the transmission and reception of data, and are used to form the 9-bit data word for the SCI. If the SCI is being used with 7 or 8-bit data, only SCDRL needs to be accessed. Note that if 9-bit data format is used, the upper register should be written first to ensure that it is transferred to the transmitter shift register with the lower register.

Serial Communications Interface (SCI)

5.8.1 SCBDH, SCBDL — SCI baud rate control registers

	Address	bit 7	bit 6	bit 5	bit 4	bit 3	bit 2	bit 1	bit 0	State on reset
SCI 1 baud rate high (SCBDH)	\$0070	BTST	BSPL	0	SBR12	SBR11	SBR10	SBR9	SBR8	0000 0000
SCI 1 baud rate low (SCBDL)	\$0071	SBR7	SBR6	SBR5	SBR4	SBR3	SBR2	SBR1	SBR0	0000 0100

The contents of this register determine the baud rate of the SCI.

BTST — Baud register test (Test mode only)

BSPL — Baud rate counter split (Test mode only)

Bit 5 — Not implemented; always reads zero

SBR[12:0] — SCI baud rate selects

Use the following formula to calculate SCI baud rate. Refer to the table of baud rate control values for example rates:

$$\text{SCI baud rate} = \frac{ST4XCK}{16 \times (2BR)}$$

where the baud rate control value (BR) is the contents of SCBDH/L (BR = 1, 2, 3,... 8191).

BR = 0 disables the baud rate generator. For example, to obtain a baud rate of 1200 with a 12MHz crystal, the baud register (SCBDH/L) should contain \$0138 (see [Table 5-1](#)).

NOTE: *ST4XCK may be the output of the PLL circuit or it may be the EXTAL input of the MCU. Selection is made by the MCS bit in the PLLCR (see [Crystal driver and external clock input \(XTAL, EXTAL\)](#)).*

Table 5-1. Example SCI baud rate control values

Target baud rate	Crystal frequency (EXTAL)					
	8 MHz		12 MHz		16 MHz	
	Dec value	Hex value	Dec value	Hex value	Dec value	Hex value
110	2272	\$08E0	3409	\$0D51	4545	\$11C1
150	1666	\$0682	2500	\$09C4	3333	\$0D05
300	833	\$0341	1250	\$04E2	1666	\$0682
600	416	\$01A0	625	\$0271	833	\$0341
1200	208	\$00D0	312	\$0138	416	\$01A0
2400	104	\$0068	156	\$009C	208	\$00D0
4800	52	\$0034	78	\$004E	104	\$0068
9600	26	\$001A	39	\$0027	52	\$0034
19200	13	\$000D	20	\$0014	26	\$001A
38400					13	\$000D

5.8.2 SCCR1 — SCI control register 1

	Address	bit 7	bit 6	bit 5	bit 4	bit 3	bit 2	bit 1	bit 0	State on reset
SCI 1 control 1 (SCCR1)	\$0072	LOOPS	WOMS	0	M	WAKE	ILT	PE	PT	0000 0000

The SCCR1 register provides the control bits that determine word length and select the method used for the wakeup feature.

LOOPS — SCI loop mode enable

- 1 = SCI transmit and receive are disconnected from TXD and RXD pins, and transmitter output is fed back into the receiver input.
- 0 = SCI transmit and receive operate normally.

Both the transmitter and receiver must be enabled to use the LOOP mode. When the LOOP mode is enabled, the TXD pin is driven high (idle line state) if the transmitter is enabled.

WOMS — Wired-OR mode for SCI pins (PD1, PD0)

- 1 = TXD and RXD are open drains if operating as outputs.
- 0 = TXD and RXD operate normally.

Bit 5 — Not implemented; always reads zero

Serial Communications Interface (SCI)

M — Mode (select character format)

1 = Start bit, 9 data bits, 1 stop bit.

0 = Start bit, 8 data bits, 1 stop bit.

WAKE — Wakeup by address mark/idle

1 = Wakeup by address mark (most significant data bit set).

0 = Wakeup by IDLE line recognition.

ILT — Idle line type

1 = Long (SCI counts ones only after stop bit).

0 = Short (SCI counts consecutive ones after start bit).

This bit determines which of two types of idle line detection method is used by the SCI receiver. In short mode the stop bit and any bits that were ones before the stop bit will be considered as part of that string of ones, possibly resulting in erroneous or premature detection of an idle line condition. In long mode the SCI system does not begin counting ones until a stop bit is received.

PE — Parity enable

1 = Parity enabled.

0 = Parity disabled.

PT — Parity type

1 = Parity odd (an odd number of ones causes parity bit to be zero, an even number of ones causes parity bit to be one).

0 = Parity even (an even number of ones causes parity bit to be zero, an odd number of ones causes parity bit to be one).

5.8.3 SCCR2 — SCI control register 2

	Address	bit 7	bit 6	bit 5	bit 4	bit 3	bit 2	bit 1	bit 0	State on reset
SCI 1 control 2 (SCCR2)	\$0073	TIE	TCIE	RIE	ILIE	TE	RE	RWU	SBK	0000 0000

The SCCR2 register provides the control bits that enable or disable individual SCI functions.

TIE — Transmit interrupt enable

1 = SCI interrupt requested when TDRE status flag is set.

0 = TDRE interrupts disabled.

TCIE — Transmit complete interrupt enable

1 = SCI interrupt requested when TC status flag is set.

0 = TC interrupts disabled.

RIE — Receiver interrupt enable

1 = SCI interrupt requested when RDRF flag or the OR status flag is set.

0 = RDRF and OR interrupts disabled.

ILIE — Idle line interrupt enable

1 = SCI interrupt requested when IDLE status flag is set.

0 = IDLE interrupts disabled.

TE — Transmitter enable

1 = Transmitter enabled.

0 = Transmitter disabled.

RE — Receiver enable

1 = Receiver enabled.

0 = Receiver disabled.

RWU — Receiver wakeup control

1 = Wakeup enabled and receiver interrupts inhibited.

0 = Normal SCI receiver.

SBK — Send break

1 = Break codes generated as long as SBK is set.

0 = Break generator off.

Serial Communications Interface (SCI)

5.8.4 SCSR1 — SCI status register 1

	Address	bit 7	bit 6	bit 5	bit 4	bit 3	bit 2	bit 1	bit 0	State on reset
SCI 1 status 1 (SCSR1)	\$0074	TDRE	TC	RDRF	IDLE	OR	NF	FE	PF	1100 0000

The bits in SCSR1 indicate certain conditions in the SCI hardware and are automatically cleared by special acknowledge sequences.

TDRE — Transmit data register empty flag

1 = SCDR empty.

0 = SCDR busy.

This flag is set when SCDR is empty. Clear the TDRE flag by reading SCSR1 with TDRE set and then writing to SCDR.

TC — Transmit complete flag

1 = Transmitter idle.

0 = Transmitter busy.

This flag is set when the transmitter is idle (no data, preamble, or break transmission in progress). Clear the TC flag by reading SCSR1 with TC set and then writing to SCDR.

RDRF — Receive data register full flag

1 = SCDR full.

0 = SCDR empty.

Once cleared, IDLE is not set again until the RXD line has been active and becomes idle again. RDRF is set if a received character is ready to be read from SCDR. Clear the RDRF flag by reading SCSR1 with RDRF set and then reading SCDR.

IDLE — Idle line detected flag

1 = RXD line is idle.

0 = RXD line is active.

This flag is set if the RXD line is idle. Once cleared, IDLE is not set again until the RXD line has been active and becomes idle again. The IDLE flag is inhibited when RWU = 1. Clear IDLE by reading SCSR1 with IDLE set and then reading SCDR.

OR — Overrun error flag

1 = Overrun detected.

0 = No overrun.

OR is set if a new character is received before a previously received character is read from SCDR. Clear the OR flag by reading SCSR1 with OR set and then reading SCDR.

NF — Noise error flag

1 = Noise detected.

0 = Unanimous decision.

NF is set if the majority sample logic detects anything other than a unanimous decision. Clear NF by reading SCSR1 with NF set and then reading SCDR.

FE — Framing error

1 = Zero detected.

0 = Stop bit detected.

FE is set when a zero is detected where a stop bit was expected. Clear the FE flag by reading SCSR1 with FE set and then reading SCDR.

PF — Parity error flag

1 = Incorrect parity detected.

0 = Parity correct.

PF is set if received data has incorrect parity. Clear PF by reading SCSR1 with PE set and then reading SCDR.

Serial Communications Interface (SCI)

5.8.5 SCSR2 — SCI status register 2

	Address	bit 7	bit 6	bit 5	bit 4	bit 3	bit 2	bit 1	bit 0	State on reset
SCI 1 status 2 (SCSR2)	\$0075	0	0	0	0	0	0	0	RAF	0000 0000

In the SCSR2 only bit 0 is used, to indicate receiver active. The other seven bits always read zero.

Bits [7:1] — Not implemented; always read zero

RAF — Receiver active flag (read only)

1 = A character is being received.

0 = A character is not being received.

5.8.6 SCDRH, SCDRL — SCI data high/low registers

	Address	bit 7	bit 6	bit 5	bit 4	bit 3	bit 2	bit 1	bit 0	State on reset
SCI 1 data high (SCDRH)	\$0076	R8	T8	0	0	0	0	0	0	undefined
SCI 1 data low (SCDRL)	\$0077	R7T7	R6T6	R5T5	R4T4	R3T3	R2T2	R1T1	R0T0	undefined

SCDRH/SCDRL is a parallel register that performs two functions. It is the receive data register when it is read, and the transmit data register when it is written. Reads access the receive data buffer and writes access the transmit data buffer. Data received or transmitted is double buffered.

R8 — Receiver bit 8

Ninth serial data bit received when SCI is configured for a nine data bit operation

T8 — Transmitter bit 8

Ninth serial data bit transmitted when SCI is configured for a nine data bit operation

Bits [5:0] — Not implemented; always read zero

R/T[7:0] — Receiver/transmitter data bits [7:0]

SCI data is double buffered in both directions.

5.9 Status flags and interrupts

The SCI transmitter has two status flags. These status flags can be read by software (polled) to tell when certain conditions exist. Alternatively, a local interrupt enable bit can be set to enable each of these status conditions to generate interrupt requests. Status flags are automatically set by hardware logic conditions, but must be cleared by software. This provides an interlock mechanism that enables logic to know when software has noticed the status indication. The software clearing sequence for these flags is automatic — functions that are normally performed in response to the status flags also satisfy the conditions of the clearing sequence.

TDRE and TC flags are normally set when the transmitter is first enabled (TE set to one). The TDRE flag indicates there is room in the transmit queue to store another data character in the transmit data register. The TIE bit is the local interrupt mask for TDRE. When TIE is zero, TDRE must be polled. When TIE and TDRE are one, an interrupt is requested.

The TC flag indicates the transmitter has completed the queue. The TCIE bit is the local interrupt mask for TC. When TCIE is zero, TC must be polled; when TCIE is one and TC is one, an interrupt is requested.

Writing a zero to TE requests that the transmitter stop when it can. The transmitter completes any transmission in progress before shutting down. Only an MCU reset can cause the transmitter to stop and shut down immediately. If TE is cleared when the transmitter is already idle, the pin reverts to its general-purpose I/O function (synchronized to the bit-rate clock). If anything is being transmitted when TE is cleared, that character is completed before the pin reverts to general-purpose I/O, but any other characters waiting in the transmit queue are lost. The TC and TDRE flags are set at the completion of this last character, even though TE has been disabled.

5.9.1 Receiver flags

The SCI receiver has seven status flags, three of which can generate interrupt requests. The status flags are set by the SCI logic in response to specific conditions in the receiver. These flags can be read (polled) at any time by software. Refer to [Figure 5-3](#), which shows SCI interrupt arbitration.

When an overrun takes place, the new character is lost, and the character that was in its way in the parallel receive data register (RDR) is undisturbed. RDRF is set when a character has been received and transferred into the parallel RDR. The OR flag is set instead of RDRF if overrun occurs. A new character is ready to be transferred into the RDR before a previous character is read from the RDR.

The NF, FE and PF flags provide additional information about the character in the RDR, but do not generate interrupt requests.

The receiver active flag (RAF) indicates that the receiver is busy.

The last receiver status flag and interrupt source come from the IDLE flag. The RXD line is idle if it has constantly been at logic one for a full character time. The IDLE flag is set only after the RXD line has been busy and becomes idle. This prevents repeated interrupts for the time RXD remains idle.

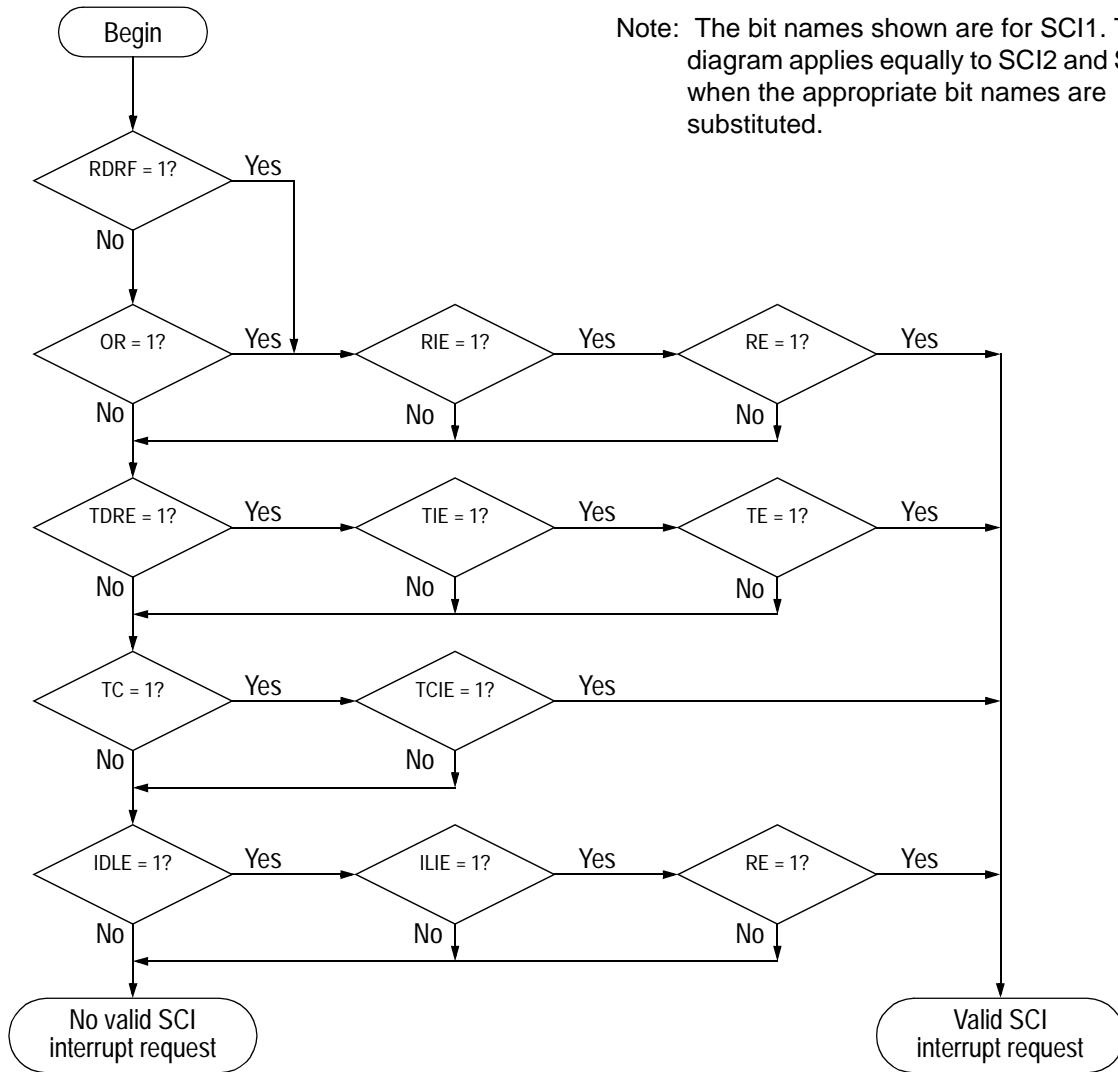


Figure 5-3. Interrupt source resolution within SCI

5.10 Additional SCI subsystems

In addition to the subsystem described in the above paragraphs (SCI1), the MC68HC11P2 has two other, similar, SCI modules (SCI2, SCI3). These two systems are identical to that described, with the following exceptions:

SCI2 and SCI3 share I/O with four port H pins:

Pin	Alternate function
PH4	RXD2
PH5	TXD2
PH6	RXD3
PH7	TXD3

The SCI2 transmit and receive functions are enabled by TE2 and RE2 respectively, in S2CR2; similarly, the SCI3 transmit and receive functions are enabled by TE3 and RE3 respectively, in S3CR2.

SCI1 functions and data are handled by a register block at \$0070–\$0077. The corresponding registers for SCI2 and SCI3 are at addresses \$0050–\$0057 and \$005A–\$005F respectively, as shown in the following sections.

SCI2 and SCI3 share the same baud rate register (at \$0050/51).

In addition to their SCI functions, these two subsystems are also used for MI BUS, controlled by bit 5 of their respective SCCR1 registers. Refer to [Motorola Interconnect Bus \(MI BUS\)](#) for full details of MI BUS operation.

5.10.1 SCI2

SCI2 shares I/O with two of port H's pins: receive pin RXD2/PH6 and transmit pin TXD2/PD7. The SCI receive and transmit functions are enabled by RE and TE respectively, in S2CR2.

5.10.1.1 S2BDH, S2BDL — SCI2/3 baud rate control registers

	Address	bit 7	bit 6	bit 5	bit 4	bit 3	bit 2	bit 1	bit 0	State on reset
SCI/MI 2/3 baud high (S2BDH)	\$0050	B2TST	B2SPL	0	S2B12	S2B11	S2B10	S2B9	S2B8	0000 0000
SCI/MI 2/3 baud low (S2BDL)	\$0051	S2B7	S2B6	S2B5	S2B4	S2B3	S2B2	S2B1	S2B0	0000 0100

The contents of this register determine the baud rate for both SCI2 and SCI3. For details of the bits and the corresponding baud rates see [SCBDH, SCBDL — SCI baud rate control registers](#). This register also controls the MI BUS clock rate (see [Motorola Interconnect Bus \(MI BUS\)](#)).

5.10.1.2 S2CR1 — SCI2 control register 1

	Address	bit 7	bit 6	bit 5	bit 4	bit 3	bit 2	bit 1	bit 0	State on reset
SCI/MI 2 control 1 (S2CR1)	\$0052	LOPS2	WOMS 2	MIE2	M2	WAKE 2	ILT2	PE2	PT2	0000 0000

The S2CR1 register provides the control bits that determine word length and select the method used for the wakeup feature. Bit 5 has an MI BUS control function detailed below (for details of the other bits see [SCCR1 — SCI control register 1](#)).

MIE2 — Motorola interface bus enable 2

1 = MI BUS is enabled for this subsystem.

0 = The SCI functions normally.

When MIE2 is set, the SCI2 registers, bits and pins assume the functionality required for MI BUS.

5.10.1.3 S2CR2 — SCI2 control register 2

	Address	bit 7	bit 6	bit 5	bit 4	bit 3	bit 2	bit 1	bit 0	State on reset
SCI/MI 2 control 2 (S2CR2)	\$0053	TIE2	TCIE2	RIE2	ILIE2	TE2	RE2	RWU2	SBK2	0000 0000

The S2CR2 register provides the control bits that enable or disable individual SCI functions. For details of the bits, see [SCCR2 — SCI control register 2](#).

Serial Communications Interface (SCI)

5.10.1.4 S2SR1 — SCI2 status register 1

	Address	bit 7	bit 6	bit 5	bit 4	bit 3	bit 2	bit 1	bit 0	State on reset
SCI/MI 2 status 1 (S2SR1)	\$0054	TDRE2	TC2	RDRF2	IDLE2	OR2	NF2	FE2	PF2	1100 0000

The bits in S2SR1 indicate certain conditions in the SCI hardware and are automatically cleared by special acknowledge sequences. For details of the bits, see [SCSR1 — SCI status register 1](#).

5.10.1.5 S2SR2 — SCI2 status register 2

	Address	bit 7	bit 6	bit 5	bit 4	bit 3	bit 2	bit 1	bit 0	State on reset
SCI/MI 2 status 2 (S2SR2)	\$0055	0	0	0	0	0	0	0	RAF2	0000 0000

In the S2SR2 only bit 0 is used, to indicate receiver active (see [SCSR2 — SCI status register 2](#)). The other seven bits always read zero.

5.10.1.6 S2DRH, S2DRL — SCI2 data high/low registers

	Address	bit 7	bit 6	bit 5	bit 4	bit 3	bit 2	bit 1	bit 0	State on reset
SCI/MI 2 data high (S2DRH)	\$0056	R8B	T8B	0	0	0	0	0	0	undefined
SCI/MI 2 data low (S2DRL)	\$0057	R7T7B	R6T6B	R5T5B	R4T4B	R3T3B	R2T2B	R1T1B	R0T0B	undefined

S2DRH/S2DRL is a parallel register that performs two functions. It is the receive data register when it is read, and the transmit data register when it is written. Reads access the receive data buffer and writes access the transmit data buffer. Data received or transmitted is double buffered. See [SCDRH, SCDRL — SCI data high/low registers](#) for more details.

5.10.2 SCI3

SCI3 shares I/O with two of port H's pins: receive pin RXD3/PH4 and transmit pin TXD3/PD5. The SCI receive and transmit functions are enabled by RE and TE respectively, in S3CR2.

The baud rate of this subsystem is controlled by the baud rate register for SCI2, hence the two SCIs always have the same baud rate.

5.10.2.1 S3CR1 — SCI3 control register 1

	Address	bit 7	bit 6	bit 5	bit 4	bit 3	bit 2	bit 1	bit 0	State on reset
SCI/MI 3 control 1 (S3CR1)	\$005A	LOPS3	WOMS3	MIE3	M3	WAKE3	ILT3	PE3	PT3	0000 0000

The S3CR1 register provides the control bits that determine word length and select the method used for the wakeup feature. Bit 5 has an MI BUS control function detailed below (for details of the other bits see [SCCR1 — SCI control register 1](#)).

MIE3 — Motorola Interface Bus Enable 3

1 = MI BUS is enabled for this subsystem.

0 = The SCI functions normally.

When MIE3 is set, the SCI3 registers, bits and pins assume the functionality required for MI BUS.

5.10.2.2 S3CR2 — SCI3 control register 2

	Address	bit 7	bit 6	bit 5	bit 4	bit 3	bit 2	bit 1	bit 0	State on reset
SCI/MI 3 control 2 (S3CR2)	\$005B	TIE3	TCIE3	RIE3	ILIE3	TE3	RE3	RWU3	SBK3	0000 0000

The S3CR2 register provides the control bits that enable or disable individual SCI functions. For details of the bits, see [SCCR2 — SCI control register 2](#).

5.10.2.3 S3SR1 — SCI3 status register 1

	Address	bit 7	bit 6	bit 5	bit 4	bit 3	bit 2	bit 1	bit 0	State on reset
SCI/MI 3 status 1 (S3SR1)	\$005C	TDRE3	TC3	RDRF3	IDLE3	OR3	NF3	FE3	PF3	1100 0000

The bits in S3SR1 indicate certain conditions in the SCI hardware and are automatically cleared by special acknowledge sequences. For details of the bits, see [SCSR1 — SCI status register 1](#).

Serial Communications Interface (SCI)

5.10.2.4 S3SR2 — SCI3 status register 2

	Address	bit 7	bit 6	bit 5	bit 4	bit 3	bit 2	bit 1	bit 0	State on reset
SCI/MI 3 status 2 (S3SR2)	\$005D	0	0	0	0	0	0	0	RAF3	0000 0000

In S3SR2 only bit 0 is used, to indicate receiver active (see [SCSR2 — SCI status register 2](#) for details). The other seven bits always read zero.

5.10.2.5 S3DRH, S3DRL — SCI3 data high/low registers

	Address	bit 7	bit 6	bit 5	bit 4	bit 3	bit 2	bit 1	bit 0	State on reset
SCI/MI 3 data high (S3DRH)	\$005E	R8C	T8C	0	0	0	0	0	0	undefined
SCI/MI 3 data low (S3DRL)	\$005F	R7T7C	R6T6C	R5T5C	R4T4C	R3T3C	R2T2C	R1T1C	R0T0C	undefined

S3DRH/S3DRL is a parallel register that performs two functions. It is the receive data register when it is read, and the transmit data register when it is written. Reads access the receive data buffer and writes access the transmit data buffer. Data received or transmitted is double buffered. See [SCDRH, SCDRL — SCI data high/low registers](#) for more details.

Section 6. Motorola Interconnect Bus (MI BUS)

6.1 Contents

6.2	Introduction	109
6.3	Push-pull sequence	111
6.4	The push field	112
6.5	The pull field	112
6.6	Biphase coding	113
6.7	Message validation	113
6.8	Interfacing to MI BUS	116
6.9	MI BUS clock rate	117
6.10	SCI/MI BUS2 registers	117
6.11	SCI/MI BUS3 registers	123

6.2 Introduction

The Motorola Interconnect Bus (MI BUS) is a serial communications protocol which supports distributed real-time control efficiently and with a high degree of noise immunity, at a typical bit rate for the data transfer of 20kHz. The MI BUS is suitable for medium speed networks requiring very low cost multiplex wiring; only one wire is required to connect to slave devices.⁽¹⁾

1. Related information on Motorola's MI BUS is contained in the following Motorola publications:
EB409/D — The MI BUS and Product family for Multiplexing Systems
AN475/D — Single Wire MI BUS Controlling Stepper Motors
BR477/D — Smart Mover – Stepper Motors with Integrated Serial Bus Controller

The MC68HC11P2 contains two similar MI BUS modules. For ease of reference, a full description of MI BUS2 is given, followed by a summary of MI BUS3, detailing its differences.

The MI BUS uses a push-pull sequence to transfer data. The master device, which, in this case, is the MC68HC11P2, sends a push field to the slave devices connected to the bus. The push field contains data plus an address that is recognized by one of the slaves. The slave addressed returns data which the master pulls from the MI BUS over the same wire. Specific details of the message format are covered later in this section. The MCU (master) can take the bus at any time, with a start bit that violates the rules of Manchester biphase encoding. Up to eight slave devices may be addressed by the MI BUS. Other features of MI BUS include message validation, error detection, and default value setting.

On the MC68HC11P2 the MI BUS module shares the same pins on port H as the SCI2 and SCI3 modules. Data is transmitted (or 'pushed') via the TXD pin, and received ('pulled') via the RXD pin. While data is being pushed RXD will be disconnected from the receiver circuitry. The message frame is handled automatically in hardware. The MCU register interface is similar to that for the SCI.

Pin	Alternate function
PH4	RXD2
PH5	TXD2
PH6	RXD3
PH7	TXD3

MI BUS2 functions are enabled by MIE2 in S2CR1; MI BUS3 functions by MIE3 in S3CR1.

6.3 Push-pull sequence

Communication between the MCU and the slave device always utilizes the same frame organization. First, the MCU sends serial data to the selected device. This data field is called the 'push field'. At the end of the push field, the selected device automatically sends back to the MCU the data held during the push sequence. The MCU reads the serial data sent by the selected device. This data is called the 'pull field' and contains status information followed by the end-of-frame information from the selected device.

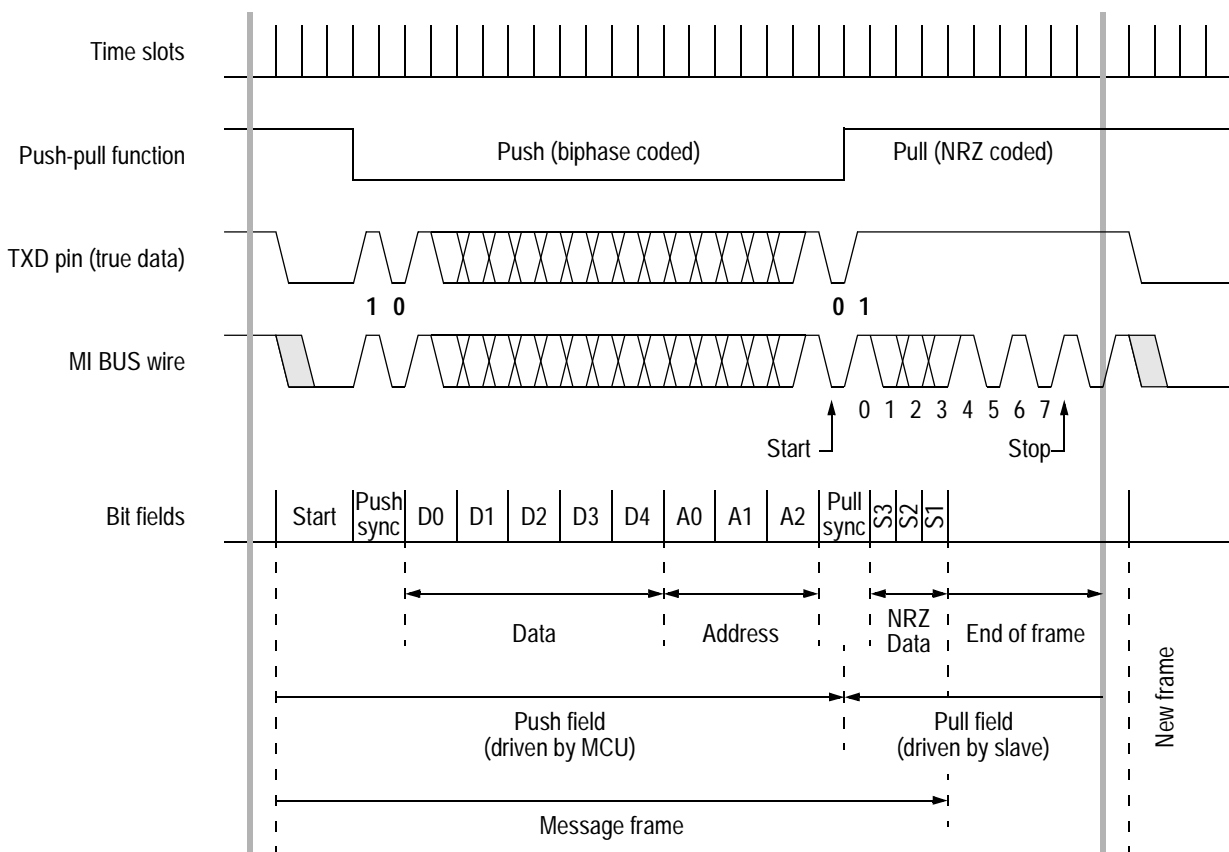


Figure 6-1. MI BUS timing

6.4 The push field

The push field consists of a start bit, a push synchronization bit, a push data field and a push address field. The start consists of three time slots having the dominant logical state '0'. The start marks the beginning of the message frame by violation of the rule of the Manchester code. The push synchronization bit consists of a biphase coded '0'. Biphase coding will be discussed later. The push data field consists of five bits of biphase coded data. The push address consists of three bits of biphase coded data. Data and address are written to the lower byte of the SCI data register (S2DRL). The push data occupies the lower five bits and the push address occupies the upper three bits of the register.

6.5 The pull field

The pull field consists of a pull synchronization bit, a pull data field and an end of frame. The pull synchronization bit is a biphase coded '1' and is initiated by the MCU during the time slot after the last address bit of the push field. The pull data field consists of an NRZ coded transmission, each bit taking one time slot. Once shifted in, the pull data is stored in the lower byte of the SCI data register (S2DRL). The end-of-frame field is a square wave signal having a typical frequency of $20\text{kHz} \pm 1\%$ tolerance (i.e. the bit rate of the push field) when the data sent to the selected device is valid.

6.6 Biphase coding

Manchester biphase L coding is used for the push field bits. Each bit requires two time slots to encode the logic value of the bit. This encoding allows the detection of a single error at the time slot level. Bits are encoded as follows:

1 = In the first time slot, the logic level is set to zero, followed by a logic level one in the second time slot;

0 = In the first time slot, the logic level is set to one, followed by a logic level zero in the second time slot.

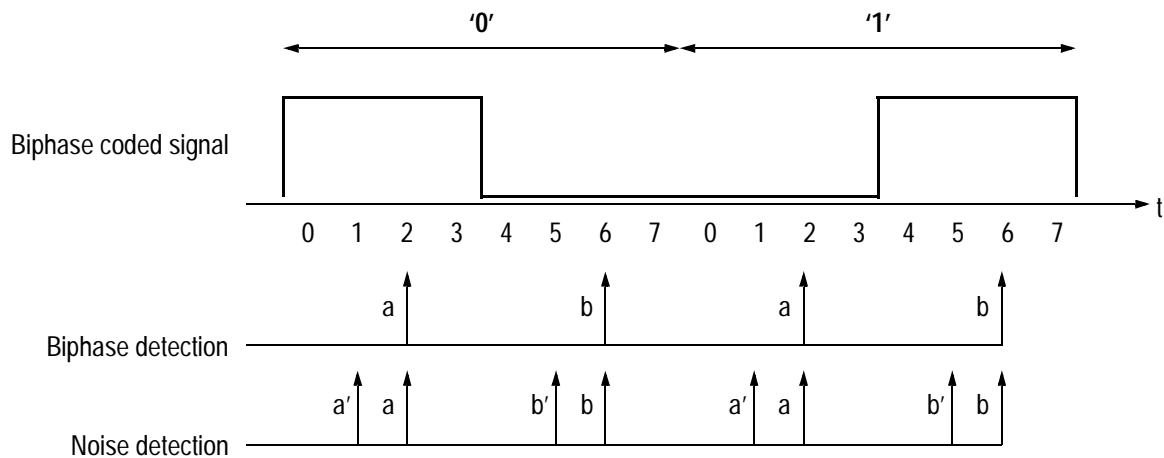


Figure 6-2. Biphase coding and error detection

6.7 Message validation

The communication between the MCU and the selected device is valid when the MCU reads a pull data field having correct codes (excluding the codes '111' and '000') followed by a square wave signal, having a frequency of 20kHz, contained in the end-of-frame information.

An MI BUS error is detected when the pull field contains the code '111' followed by the end-of-frame permanently tied to logical state '1'. This means that the communication between the MCU and the selected device was not accomplished.

6.7.1 Controller detected errors

There are three different MI BUS error types which are detected by the selected slave device and are not mutually exclusive. The MCU cannot determine which error occurred.

Noise error Slave devices take two samples in each time slot of the biphasic encoded push field. An error occurs when the two samples for each time slot are not the same logical level.

Biphase error Slave devices receiving the push field detect the biphasic code. An error occurs when the two time slots of the biphasic code do not yield a logical exclusive-OR function.

Field error A field error is detected when the fixed-form of the push field is violated.

6.7.2 MCU detected errors

There is a fourth error that can be detected by the MCU. This error causes the noise flag (NF) to be asserted in the S2SR1 (or S3SR1) register during the push field sequence.

Bit error A bit error can be detected by the MCU during the push field. The MI BUS serial system monitors the bus via on-chip hardware at the RXD pin at the same time as sending data. A bit error is detected at that bit time when the value monitored is different from the bit value sent.

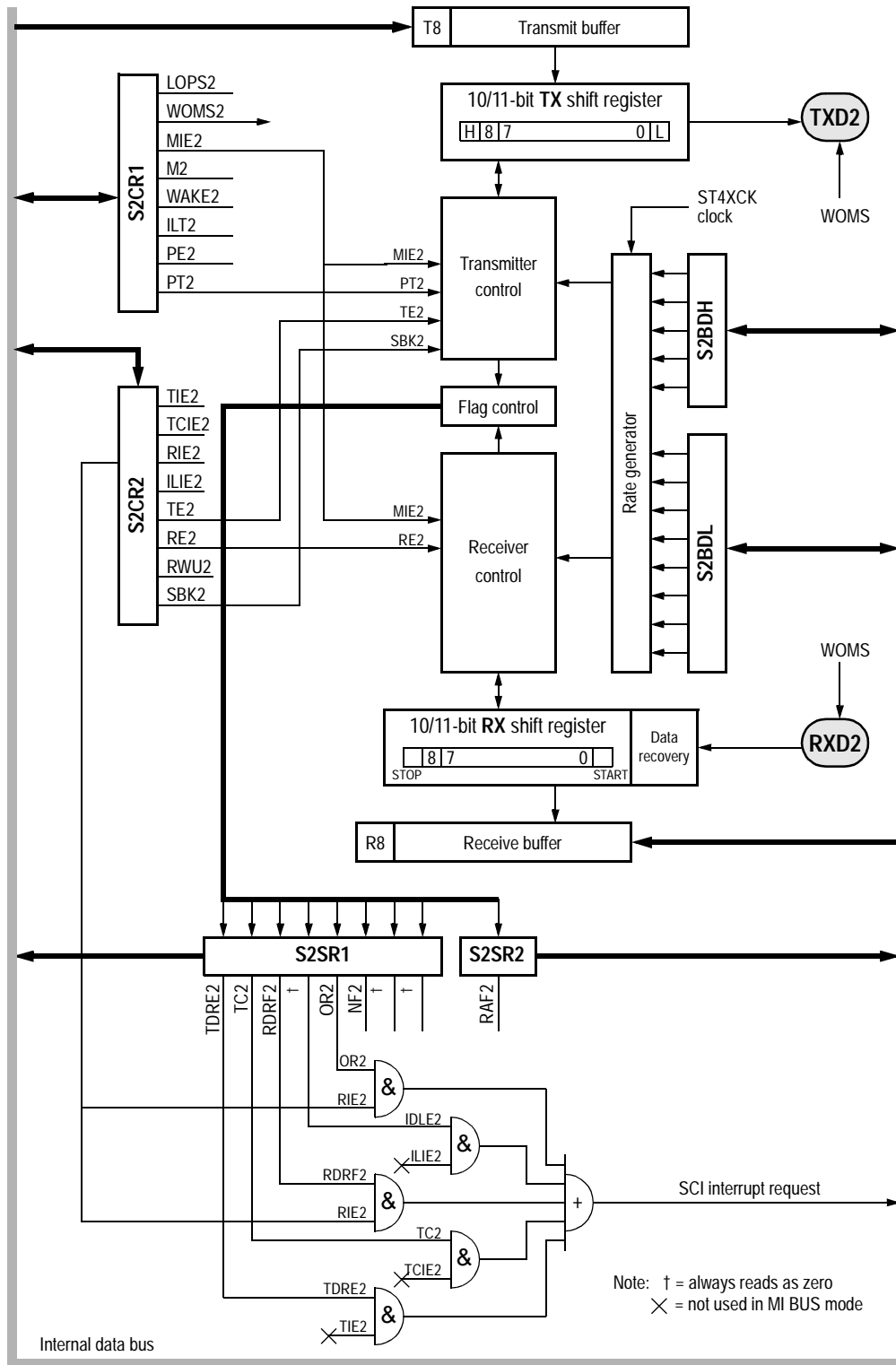


Figure 6-3. MI BUS block diagram

6.8 Interfacing to MI BUS

Physically the MI BUS consists of only a single wire. In the example shown in [Figure 6-4](#), only a single transistor and a few passive components are required to connect up the MC68HC11P2 for full MI BUS operation.

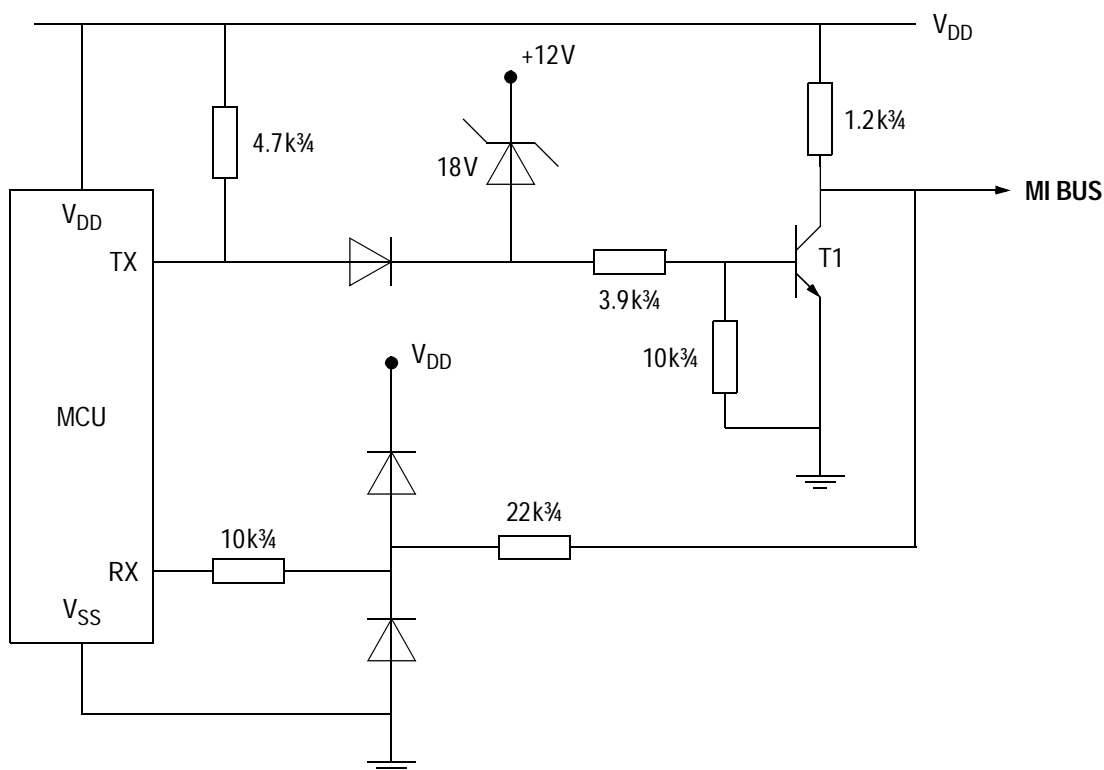


Figure 6-4. A typical interface between the MC68HC11P2 and the MI BUS

The transistor serves both to drive the MI BUS during the push field and to protect the MCU TX pin from voltage transients generated in the wiring. Without the transistor, EMI could damage the TX pin. Similarly, the input pin (RX) is protected from EMI by clamping it to the MCU supply rails with two diodes. When a load dump occurs, the zener diode (18V) is switched on and hence turns the transistor on; this generates the logic '0' state on the MI BUS. After eight time slots (200ms) of continuous '0' state, all devices on the MI BUS will have their outputs disabled.

The MI BUS line can take two states, recessive or dominant. The recessive state ('1') is represented by 5V, through a pull-up resistor of 10k $\frac{3}{4}$. The dominant state ('0') is represented by a maximum 0.3V (V_{CESAT} of the transistor, T1).

The bus load depends on the number of devices on the bus. Each device has a pull-up resistor of 10k $\frac{3}{4}$. An external termination resistor is used to stabilize the load resistance of the bus at 600 $\frac{3}{4}$.

6.9 MI BUS clock rate

The MI BUS clock rate is set via the SCI baud registers. To use the MI BUS the ST4XCK clock frequency that drives the SCI clock generator must be selected to match the minimum resolution of the MI BUS logic. This is expressed by the following formula:

$$ST4XCK = 16 \cdot 2n \cdot (2 \cdot \text{Push_field_bit_rate}) = 16 \cdot 2n \cdot 40\text{kHz} = n \cdot 1280\text{kHz}$$

where 'n' is an integer and 20kHz is the minimum Push field bit rate for the MI BUS. Values for ST4XCK could be 1280kHz, 2560kHz, ..., n • 1280kHz. The value 'n' is the modulus for the MI BUS baud register (see [S2BDH, S2BDL — MI BUS clock rate control registers](#)). The ST4XCK may be the output of the PLL circuit or it may be the EXTAL input of the MCU. This selection is made by setting the MCS bit which is described in [PLLCR — PLL control register](#).

6.10 SCI/MI BUS2 registers

MI BUS operation is controlled by the same group of registers as is used for the SCI. However the function of some of the bits is modified when in MI BUS mode. A description of the registers, as applicable to the MI BUS function, is given here.

NOTE: *Bits that have no meaning in MI BUS mode are shown shaded to avoid confusion.*

6.10.1 INIT2 — EEPROM mapping and MI BUS delay register

	Address	bit 7	bit 6	bit 5	bit 4	bit 3	bit 2	bit 1	bit 0	State on reset
EEPROM mapping (INIT2)	\$0037	EE3	EE2	EE1	EE0	M3DL1	M3DL0	M2DL1	M2DL0	0000 0000

This register sets the MI BUS delay time. INIT2 may be read at any time but bits 7–4 may be written only once after reset in normal modes (bits 3–0 may be written at any time).

EE[3:0] — EEPROM map position

EEPROM is located at \$xD80–\$xFFF, where x is the hexadecimal digit represented by EE[3:0]. Refer to [INIT2 — EEPROM mapping and MI BUS delay register](#).

M3DL1:M3DL0, M2DL1:M2DL0 — MI BUS delay select

These bits are used to set up the delay for the start of the NRZ receive for MI BUS operation as shown (for a 20kHz bit rate) in the following table. Each MI BUS module is controlled by one pair of bits.

MxDL1	MxDL0	Delay factor	Delay time ⁽¹⁾
0	0	1	1.5625µs ⁽²⁾
0	1	2	3.1250µs
1	0	3	4.6875µs
1	1	4	6.2500µs

1. 20kHz bit rate requires 25µs (40kHz) time slots.

2. 25µs ÷ 16

6.10.2 S2BDH, S2BDL — MI BUS clock rate control registers

	Address	bit 7	bit 6	bit 5	bit 4	bit 3	bit 2	bit 1	bit 0	State on reset
SCI/MI 2/3 baud high (S2BDH)	\$0050	B2TST	B2SPL	0	S2B12	S2B11	S2B10	S2B9	S2B8	0000 0000
SCI/MI 2/3 baud low (S2BDL)	\$0051	S2B7	S2B6	S2B5	S2B4	S2B3	S2B2	S2B1	S2B0	0000 0100

The contents of this register determine the clock rate for both MI BUS 2 and MI BUS 3.

S2B[12:0] — SCI baud rate/ MI BUS clock rate selects

Use the following formula to calculate MI BUS 2/3 clock rate. Refer to the table of baud rate control values ([Table 5-1](#)) for example rates:

$$\text{MI BUS clock rate} = \frac{\text{ST4XCK}}{16 \times (2\text{BR})}$$

where the baud rate control value (BR) is the contents of S2BDH/L (BR = 1, 2, 3,... 8191).

BR = 0 disables the clock rate generator.

6.10.3 S2CR1 — MI BUS2 control register 1

	Address	bit 7	bit 6	bit 5	bit 4	bit 3	bit 2	bit 1	bit 0	State on reset
SCI/MI 2 control 1 (S2CR1)	\$0052	LOPS2	WOMS2	MIE2	M2	WAKE2	ILT2	PE2	PT2	0000 0000

WOMS2 — Wired-OR mode for MI BUS2 pins (PH4, PH5)

1 = TXD2 and RXD2 are open drains if operating as outputs.

0 = TXD2 and RXD2 operate normally.

MIE2 — Motorola interface bus enable 2

1 = MI BUS is enabled for this subsystem.

0 = The SCI functions normally.

When MIE2 is set, the SCI2 registers, bits and pins assume the functionality required for MI BUS.

PT2 — MI BUS TX polarity

1 = MI BUS transmit pin will send inverted data.

0 = MI BUS transmit pin functions normally.

This control bit allows for different driver interfaces between the MCU and the MI BUS wire.

6.10.4 S2CR2 — MI BUS2 control register 2

	Address	bit 7	bit 6	bit 5	bit 4	bit 3	bit 2	bit 1	bit 0	State on reset
SCI/MI 2 control 2 (S2CR2)	\$0053	TIE2	TCIE2	RIE2	ILIE2	TE2	RE2	RWU2	SBK2	0000 0000

RIE2 — Receiver interrupt enable 2

1 = MI BUS interrupt requested when RDRF2 flag is set.

0 = RDRF2 and OR2 interrupts disabled.

TE2 — Transmitter enable 2

1 = Transmitter enabled and port pin dedicated to the MI BUS.

0 = Transmitter disabled.

RE2 — Receiver enable 2

1 = Port pin dedicated to the MI BUS; the receiver is enabled by a pull sync and is inhibited during a push field.

0 = Receiver disabled.

SBK2 — Send break 2

1 = MI transmit line is set low for 20 time slots.

0 = No action.

When an MI BUS wire is held low for eight or more time slots an internal circuit on any slave device connected to the bus may reset or preset the device with default values.

6.10.5 S2SR1 — MI BUS2 status register 1

	Address	bit 7	bit 6	bit 5	bit 4	bit 3	bit 2	bit 1	bit 0	State on reset
SCI/MI 2 status 1 (S2SR1)	\$0054	TDRE2	TC2	RDRF2	IDLE2	OR2	NF2	FE2	PF2	1100 0000

The bits in S2SR1 indicate certain conditions in the MI BUS hardware and are automatically cleared by special acknowledge sequences. The receive related flag bits in S2SR1 (RDRF2, OR2 and NF2) are cleared by a read of this register followed by a read of the transmit/receive data register. However, only those bits that were set when S2SR1 was read will be cleared by the subsequent read of the transmit/receive data register.

RDRF2 — Receive data register full flag 2

1 = Contents of the receiver serial shift register have been transferred to the receiver data register.

0 = Contents of the receiver serial shift register have not been transferred to the receiver data register.

This bit is set when the contents of the receiver serial shift register have been transferred to the receiver data register.

The EOF (end-of-frame) during an MI BUS pull-field is a continuous square wave, which will result in multiple RDRFs. This may be dealt with in any of the following ways:

- By clearing the RIE2 mask, ignoring unneeded RDRF2s, initiating a push field, waiting for TDRE2⁽¹⁾ and then clearing the RDRF2;
- By clearing the RE2 bit when a pull field is complete, followed by setting the RE2 bit after the TDRE2[†] flag associated with the next push field is asserted;
- By disabling the MI BUS.

OR2 — Bit error 2

1 = A bit error has been detected.

0 = No bit error has been detected.

This bit is set when a push field bit value on the MI BUS does not match the bit value that was sent. This is known as an MI BUS bit error. OR2 does not generate an interrupt request in MI BUS mode.

NF2 — Noise error flag 2

1 = Noise detected.

0 = No noise detected.

This bit is set when noise is detected on the receive line during an MI BUS pull field.

1. Note that TDREx and TCx will both behave in the same way as during normal SCI transmissions. The MI BUS will still be receiving when the TCx bit becomes set, hence any queued transmission will not start until the current pull field has finished.
See also [SCSR1 — SCI status register 1](#).

6.10.6 S2SR2 — MI BUS2 status register 2

	Address	bit 7	bit 6	bit 5	bit 4	bit 3	bit 2	bit 1	bit 0	State on reset
SCI/MI 2 status 2 (S2SR2)	\$0055	0	0	0	0	0	0	0	RAF2	0000 0000

RAF — Receiver active flag (read only)

1 = A character is being received.

0 = A character is not being received.

6.10.7 S2DRL — MI BUS2 data register

	Address	bit 7	bit 6	bit 5	bit 4	bit 3	bit 2	bit 1	bit 0	State on reset
SCI/MI 2 data low (S2DRL)	\$0057	R7T7B	R6T6B	R5T5B	R4T4B	R3T3B	R2T2B	R1T1B	R0T0B	undefined
		0	1	0	1	S1	S2	S3	1	Pull field
		A2	A1	A0	D4	D3	D2	D1	D0	Push field

This register forms the 8-bit data/address word for the MI push field and contains the 3-bit data word received as the MI pull field.

R/T[7:0] — Receiver/transmitter data bits [7:0]

READ: Reads access the three bits of pull field data (stored in bits 3–1) of the read-only MI BUS receive data register. Bits [7:4, 0] are a fixed data pattern when a valid status and end-of-frame is returned. A valid status is represented by the following data pattern: 0101 xxx1 (bits 7–0), where ‘xxx’ is the status. All ones in the receive data register indicate that an error occurred on the MI BUS. Bits are received LSB first by the MCU, and the status bits map as shown in the above table.

WRITE: Writes access the eight bits of the write-only MI BUS transmit data register. MI BUS devices require a 5-bit data pattern followed by a 3-bit address pattern to be sent during the push field. The data pattern is mapped to the lowest five bits of the data register and the address to the highest three bits, as shown in the above table. Thus MI-data[4:0] is written to S2DRL[4:0] and MI-address[2:0] is written to S2DRL[7:5].

6.11 SCI/MI BUS3 registers

The MI BUS2 and MI BUS3 modules share the MI BUS delay register (INIT2) at \$0037 and the MI BUS2 clock rate register (S2BDH/L) at \$0050–51. The two modules are functionally identical to one another and the registers for MI BUS3 are given here for reference purposes only. All explanations of bit function can be found in the relevant section of the MI BUS2 register descriptions.

6.11.1 S3CR1 — MI BUS3 control register 1

	Address	bit 7	bit 6	bit 5	bit 4	bit 3	bit 2	bit 1	bit 0	State on reset
SCI/MI 3 control 1 (S3CR1)	\$005A	LOPS3	WOMS3	MIE3	M3	WAKE3	ILT3	PE3	PT3	0000 0000

6.11.2 S3CR2 — MI BUS3 control register 2

	Address	bit 7	bit 6	bit 5	bit 4	bit 3	bit 2	bit 1	bit 0	State on reset
SCI/MI 3 control 2 (S3CR2)	\$005B	TIE3	TCIE3	RIE3	ILIE3	TE3	RE3	RWU3	SBK3	0000 0000

6.11.3 S3SR1 — MI BUS3 status register 1

	Address	bit 7	bit 6	bit 5	bit 4	bit 3	bit 2	bit 1	bit 0	State on reset
SCI/MI 3 status 1 (S3SR1)	\$005C	TDRE3	TC3	RDRF3	IDLE3	OR3	NF3	FE3	PF3	1100 0000

6.11.4 S3SR2 — MI BUS3 status register 2

	Address	bit 7	bit 6	bit 5	bit 4	bit 3	bit 2	bit 1	bit 0	State on reset
SCI/MI 3 status 2 (S3SR2)	\$005D	0	0	0	0	0	0	0	RAF3	0000 0000

Motorola Interconnect Bus (MI BUS)

6.11.5 S3DRL — MI BUS3 data register

	Address	bit 7	bit 6	bit 5	bit 4	bit 3	bit 2	bit 1	bit 0	State on reset
SCI/MI 3 data low (S3DRL)	\$005F	R7T7C	R6T6C	R5T5C	R4T4C	R3T3C	R2T2C	R1T1C	R0T0C	undefined
		0	1	0	1	S1	S2	S3	1	Pull field
		A2	A1	A0	D4	D3	D2	D1	D0	Push field

Section 7. Serial Peripheral Interface (SPI)

7.1 Contents

7.2	Introduction	125
7.3	Functional description	126
7.4	SPI transfer formats	126
7.5	SPI signals	129
7.6	SPI system errors	130
7.7	SPI registers	132

7.2 Introduction

The serial peripheral interface (SPI), an independent serial communications subsystem, allows the MCU to communicate synchronously with peripheral devices, such as transistor-transistor logic (TTL) shift registers, liquid crystal (LCD) display drivers, analog-to-digital converter subsystems, and other microprocessors. The SPI is also capable of inter-processor communication in a multiple master system. The SPI system can be configured as either a master or a slave device, with data rates as high as one half of the E clock rate when configured as a master and as fast as the E clock rate when configured as a slave.

The SPI shares I/O with four of port D's pins and is enabled by SPE in the SPCR:

Pin	Alternate function
PD2	MISO
PD3	MOSI
PD4	SCK
PD5	SS

7.3 Functional description

The central element in the SPI system is the block containing the shift register and the read data buffer (see [Figure 7-1](#)). The system is single buffered in the transmit direction and double buffered in the receive direction. This means that new data for transmission cannot be written to the shifter until the previous transfer is complete; however, received data is transferred into a parallel read data buffer so the shifter is free to accept a second serial character. As long as the first character is read out of the read data buffer before the next serial character is ready to be transferred, no overrun condition occurs. A single MCU register address is used for reading data from the read data buffer and for writing data to the shifter.

The SPI status block represents the SPI status functions (transfer complete, write collision, and mode fault) performed by the serial peripheral status register (SPSR). The SPI control block represents those functions that control the SPI system through the serial peripheral control register (SPCR).

7.4 SPI transfer formats

During an SPI transfer, data is simultaneously transmitted and received. A serial clock line synchronizes shifting and sampling of the information on the two serial data lines. A slave select line allows individual selection of a slave SPI device; slave devices that are not selected do not interfere with SPI bus activities. On a master SPI device, the select line can

optionally be used to indicate a multiple master bus contention. Refer to [Figure 7-2](#).

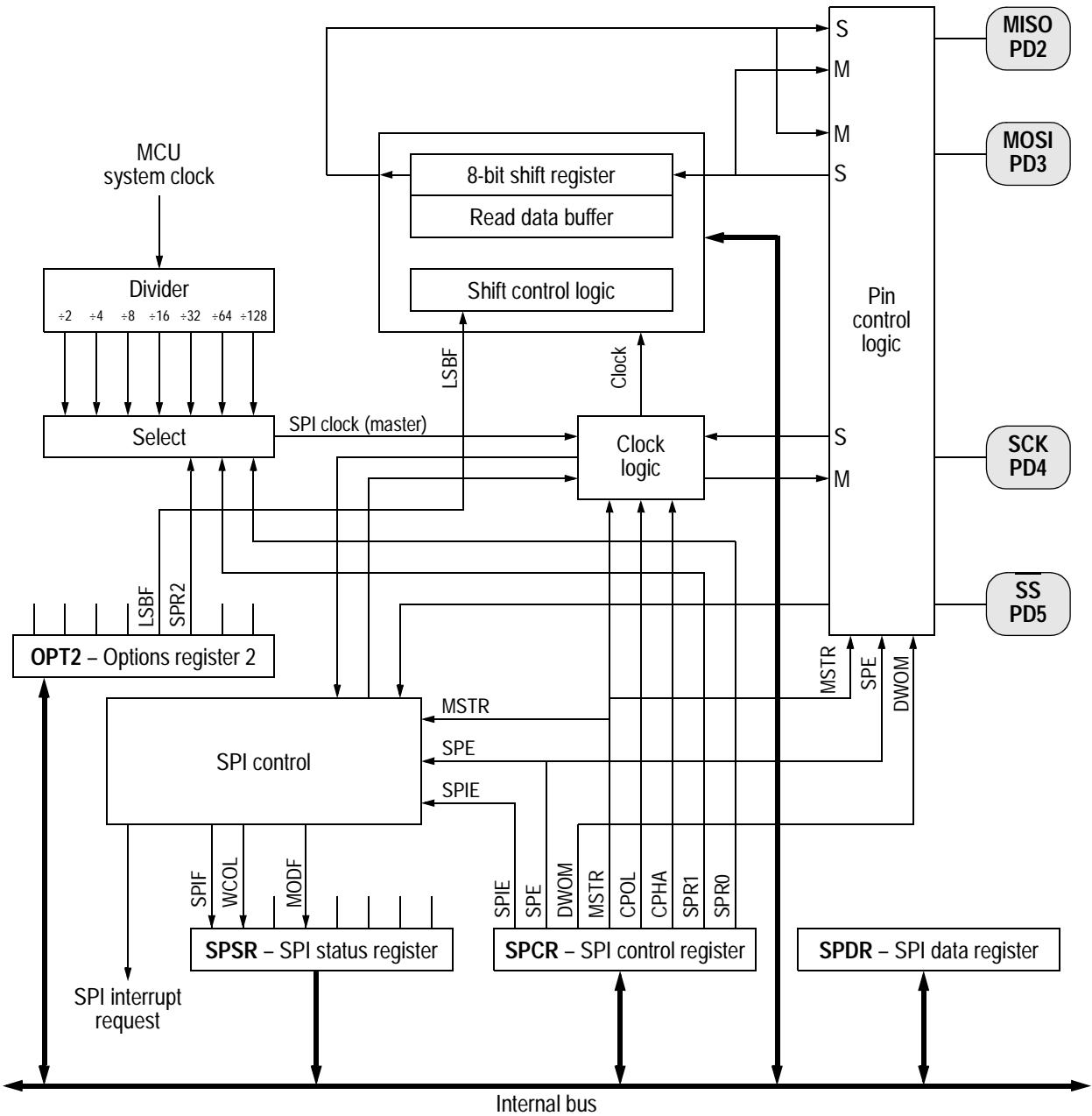


Figure 7-1. SPI block diagram

Serial Peripheral Interface (SPI)

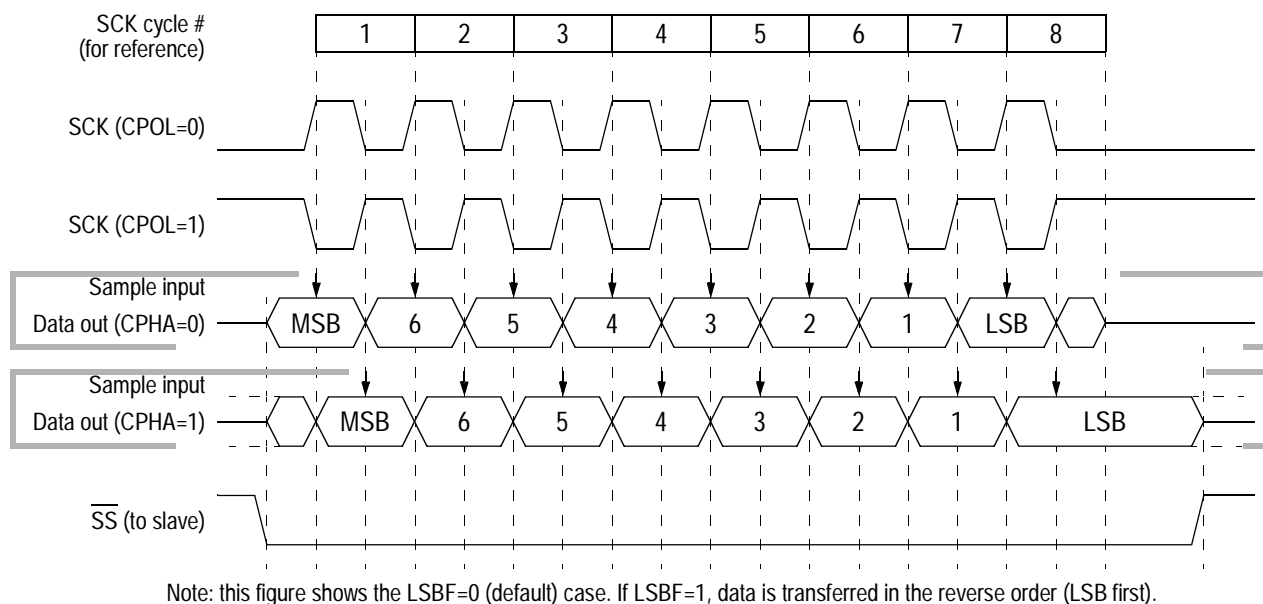


Figure 7-2. SPI transfer format

7.4.1 Clock phase and polarity controls

Software can select one of four combinations of serial clock phase and polarity using two bits in the SPI control register (SPCR). The clock polarity is specified by the CPOL control bit, which selects an active high or active low clock, and has no significant effect on the transfer format. The clock phase (CPHA) control bit selects one of two different transfer formats. The clock phase and polarity should be identical for the master SPI device and the communicating slave device. In some cases, the phase and polarity are changed between transfers to allow a master device to communicate with peripheral slaves having different requirements.

When CPHA equals zero, the \overline{SS} line must be deasserted and reasserted between each successive serial byte. Also, if the slave writes data to the SPI data register (SPDR) while \overline{SS} is low, a write collision error results.

When CPHA equals one, the \overline{SS} line can remain low between successive transfers.

7.5 SPI signals

The following paragraphs contain descriptions of the four SPI signals: master in slave out (MISO), master out slave in (MOSI), serial clock (SCK), and slave select (\overline{SS}).

Any SPI output line must have its corresponding data direction bit in DDRD register set. If the DDR bit is clear, that line is disconnected from the SPI logic and becomes a general-purpose input. All SPI input lines are forced to act as inputs regardless of the state of the corresponding DDR bits in DDRD register.

7.5.1 Master in slave out

MISO is one of two unidirectional serial data signals. It is an input to a master device and an output from a slave device. The MISO line of a slave device is placed in the high-impedance state if the slave device is not selected.

7.5.2 Master out slave in

The MOSI line is the second of the two unidirectional serial data signals. It is an output from a master device and an input to a slave device. The master device places data on the MOSI line a half-cycle before the clock edge that the slave device uses to latch the data.

7.5.3 Serial clock

SCK, an input to a slave device, is generated by the master device and synchronizes data movement in and out of the device through the MOSI and MISO lines. Master and slave devices are capable of exchanging a byte of information during a sequence of eight clock cycles.

There are four possible timing relationships that can be chosen by using control bits CPOL and CPHA in the serial peripheral control register (SPCR). Both master and slave devices must operate with the same timing. The SPI clock rate select bits, SPR[1:0], in the SPCR of the

master device, select the clock rate. In a slave device, SPR[1:0] have no effect on the operation of the SPI.

7.5.4 Slave select

The slave select \overline{SS} input of a slave device must be externally asserted before a master device can exchange data with the slave device. \overline{SS} must be low before data transactions begin and must stay low for the duration of the transaction.

The \overline{SS} line of the master must be held high. If it goes low, a mode fault error flag (MODF) is set in the serial peripheral status register (SPSR). To disable the mode fault circuit, write a one in bit 5 of the port D data direction register. This sets the \overline{SS} pin to act as a general-purpose output, rather than a dedicated input to the slave select circuit, thus inhibiting the mode fault flag. The other three lines are dedicated to the SPI whenever the serial peripheral interface is on.

The state of the master and slave CPHA bits affects the operation of \overline{SS} . CPHA settings should be identical for master and slave. When CPHA = 0, the shift clock is the OR of \overline{SS} with SCK. In this clock phase mode, \overline{SS} must go high between successive characters in an SPI message. When CPHA = 1, \overline{SS} can be left low between successive SPI characters. In cases where there is only one SPI slave MCU, its \overline{SS} line can be tied to V_{SS} as long as only CPHA = 1 clock mode is used.

7.6 SPI system errors

Two kinds of system errors can be detected by the SPI system. The first type of error arises in a multiple-master system when more than one SPI device simultaneously tries to be a master. This error is called a mode fault. The second type of error, write collision, indicates that an attempt was made to write data to the SPDR while a transfer was in progress.

When the SPI system is configured as a master and the \overline{SS} input line goes to active low, a mode fault error has occurred — usually because two devices have attempted to act as master at the same time. In the case where more than one device is concurrently configured as a

master, there is a chance of contention between two pin drivers. For push-pull CMOS drivers, this contention can cause permanent damage. The mode fault detection circuitry attempts to protect the device by disabling the drivers. The MSTR control bit in the SPCR and all four DDRD control bits associated with the SPI are cleared and an interrupt is generated (subject to masking by the SPIE control bit and the I bit in the CCR).

Other precautions may need to be taken to prevent driver damage. If two devices are made masters at the same time, the mode fault detector does not help protect either one unless one of them selects the other as slave. The amount of damage possible depends on the length of time both devices attempt to act as master.

A write collision error occurs if the SPDR is written while a transfer is in progress. Because the SPDR is not double buffered in the transmit direction, writes to SPDR cause data to be written directly into the SPI shift register. Because this write corrupts any transfer in progress, a write collision error is generated. The transfer continues undisturbed, and the write data that caused the error is not written to the shifter.

A write collision is normally a slave error because a slave has no control over when a master initiates a transfer. A master knows when a transfer is in progress, so there is no reason for a master to generate a write-collision error, although the SPI logic can detect write collisions in both master and slave devices.

The SPI configuration determines the characteristics of a transfer in progress. For a master, a transfer begins when data is written to SPDR and ends when SPIF is set. For a slave with CPHA equal to zero, a transfer starts when \overline{SS} goes low and ends when \overline{SS} returns high. In this case, SPIF is set at the middle of the eighth SCK cycle when data is transferred from the shifter to the parallel data register, but the transfer is still in progress until \overline{SS} goes high. For a slave with CPHA equal to one, transfer begins when the SCK line goes to its active level, which is the edge at the beginning of the first SCK cycle. The transfer ends when SPIF is set, for a slave in which CPHA=1.

Serial Peripheral Interface (SPI)

7.7 SPI registers

The three SPI registers, SPCR, SPSR, and SPDR, provide control, status, and data storage functions. Refer to the following information for a description of how these registers are organized.

7.7.1 SPCR — Serial peripheral control register

	Address	bit 7	bit 6	bit 5	bit 4	bit 3	bit 2	bit 1	bit 0	State on reset
SPI control (SPCR)	\$0028	SPIE	SPE	DWOM	MSTR	CPOL	CPHA	SPR1	SPR0	0000 01uu

SPIE — Serial peripheral interrupt enable

1 = A hardware interrupt sequence is requested each time SPIF or MODF is set.

0 = SPI interrupts are inhibited.

Set the SPIE bit to a one to request a hardware interrupt sequence each time the SPIF or MODF status flag is set. SPI interrupts are inhibited if this bit is clear or if the I bit in the condition code register is one.

SPE — Serial peripheral system enable

1 = Port D [5:2] is dedicated to the SPI.

0 = Port D has its default I/O functions.

When the SPE bit is set, the port D pins 2, 3, 4, and 5 are dedicated to the SPI functions and lose their general purpose I/O functions. When the SPI system is enabled and expects any of PD[4:2] to be inputs then those pins will be inputs regardless of the state of the associated DDRD bits. If any of PD[4:2] are expected to be outputs then those pins will be outputs only if the associated DDRD bits are set. However, if the SPI is in the master mode, DDD5 determines whether PD5 is an error detect input (DDD5 = 0) or a general-purpose output (DDD5 = 1).

DWOM — Port D wired-OR mode

1 = Port D [5:2] buffers configured for open-drain outputs.

0 = Port D [5:2] buffers configured for normal CMOS outputs.

MSTR — Master mode select

- 1 = Master mode
- 0 = Slave mode

CPOL — Clock polarity

- 1 = SCK is active low.
- 0 = SCK is active high.

When the clock polarity bit is cleared and data is not being transferred, the SCK pin of the master device has a steady state low value. When CPOL is set, SCK idles high. Refer to [Figure 7-2](#) and [Clock phase and polarity controls](#).

CPHA — Clock phase

The clock phase bit, in conjunction with the CPOL bit, controls the clock-data relationship between master and slave. The CPHA bit selects one of two different clocking protocols. Refer to [Figure 7-2](#) and [Clock phase and polarity controls](#).

SPR1 and SPR0 — SPI clock rate selects

These two bits select the SPI clock rate, as shown in [Table 7-1](#). Note that SPR2 is located in the OPT2 register and its state on reset is zero.

Table 7-1. SPI clock rates

SPR[2:0]	E clock divide ratio	SPI clock frequency (\equiv baud rate) for:		
		E = 2 MHz	E = 3 MHz	E = 4 MHz
0 0 0	2	1.0 MHz	1.5 MHz	2.0 MHz
0 0 1	4	500 kHz	750kHz	1.0 MHz
0 1 0	16	125 kHz	187.5 kHz	250 kHz
0 1 1	32	62.5 kHz	93.7 kHz	125 kHz
1 0 0	8	250 kHz	375 kHz	500 kHz
1 0 1	16	125 kHz	187.5 kHz	250 kHz
1 1 0	64	31.3 kHz	46.9 kHz	62.5 kHz
1 1 1	128	15.6 kHz	23.4 kHz	31.3 kHz

Serial Peripheral Interface (SPI)

7.7.2 SPSR — Serial peripheral status register

	Address	bit 7	bit 6	bit 5	bit 4	bit 3	bit 2	bit 1	bit 0	State on reset
SPI status (SPSR)	\$0029	SPIF	WCOL	0	MODF	0	0	0	0	0000 0000

SPIF — SPI interrupt complete flag

1 = Data transfer to external device has been completed.

0 = No valid completion of data transfer.

SPIF is set upon completion of data transfer between the processor and the external device. If SPIF goes high, and if SPIE is set, a serial peripheral interrupt is generated. To clear the SPIF bit, read the SPSR with SPIF set, then access the SPDR. Unless SPSR is read (with SPIF set) first, attempts to write SPDR are inhibited.

WCOL — Write collision

1 = Write collision.

0 = No write collision.

Clearing the WCOL bit is accomplished by reading the SPSR (with WCOL set) followed by an access of SPDR. Refer to [Slave select](#) and [SPI system errors](#).

MODF — Mode fault

1 = Mode fault.

0 = No mode fault.

To clear the MODF bit, read the SPSR (with MODF set), then write to the SPCR. Refer to [Slave select](#) and [SPI system errors](#).

Bits [5, 3:0] — Not implemented; always read zero.

7.7.3 SPDR — SPI data register

	Address	bit 7	bit 6	bit 5	bit 4	bit 3	bit 2	bit 1	bit 0	State on reset
SPI data (SPDR)	\$002A	(bit 7)	(6)	(5)	(4)	(3)	(2)	(1)	(bit 0)	not affected

The SPDR is used when transmitting or receiving data on the serial bus. Only a write to this register initiates transmission or reception of a byte, and this only occurs in the master device. At the completion of transferring a byte of data, the SPIF status bit is set in both the master and slave devices.

A read of the SPDR is actually a read of a buffer. To prevent an overrun and the loss of the byte that caused the overrun, the first SPIF must be cleared by the time a second transfer of data from the shift register to the read buffer is initiated.

SPI is double buffered in and single buffered out.

7.7.4 OPT2 — System configuration options register 2

	Address	bit 7	bit 6	bit 5	bit 4	bit 3	bit 2	bit 1	bit 0	State on reset
System config. options 2 (OPT2)	\$0038	LIRDV	CWOM	STRCH	IRVNE	LSBF	SPR2	0	0	000x 0000

LIRDV — LIR driven (refer to [Operating Modes and On-Chip Memory](#))
 1 = Enable LIR drive high pulse.
 0 = LIR only driven low – requires pull-up on pin.

CWOM — Port C wired-OR mode (refer to [Parallel Input/Output](#))
 1 = Port C outputs are open-drain.
 0 = Port C operates normally.

STRCH — Stretch external accesses (refer to [Operating Modes and On-Chip Memory](#))
 1 = Off-chip accesses are extended by one E clock cycle.
 0 = Normal operation.

Serial Peripheral Interface (SPI)

IRVNE — Internal read visibility/not E (refer to [Operating Modes and On-Chip Memory](#))

- 1 = Data from internal reads is driven out of the external data bus.
- 0 = No visibility of internal reads on external bus.

In **single chip mode** this bit determines whether the E clock drives out from the chip.

- 1 = E pin is driven low.
- 0 = E clock is driven out from the chip.

LSBF — LSB first enable

- 1 = Data is transferred LSB first.
- 0 = Data is transferred MSB first.

If this bit is set, data, which is usually transferred MSB first, is transferred LSB first. LSBF does not affect the position of the MSB and LSB in the data register. Reads and writes of the data register always have MSB in bit 7.

SPR2 — SPI clock rate select

When set, SPR2 adds a divide-by-4 prescaler to the SPI clock chain. With the two bits in the SPCR, this bit specifies the SPI clock rate. Refer to [Table 7-1](#).

Bits 1, 0 — not implemented; always read zero.

Section 8. Timing System

8.1 Contents

8.2	Introduction	137
8.3	Timer structure	139
8.4	Input capture	142
8.5	Output compare	145
8.6	Real-time interrupt	154
8.7	Computer operating properly watchdog function	157
8.8	Pulse accumulator	158
8.9	Pulse-width modulation (PWM) timer	162

8.2 Introduction

The M68HC11 timing system is composed of five clock divider chains. The main clock divider chain includes a 16-bit free-running counter, which is driven by a programmable prescaler. The main timer's programmable prescaler provides one of the four clocking rates to drive the 16-bit counter. Two prescaler control bits select the prescale rate.

The prescaler output divides the system clock by 1, 4, 8, or 16. Taps from this main clocking chain drive circuitry generate the slower clocks used by the pulse accumulator, the real-time interrupt (RTI), and the computer operating properly (COP) watchdog subsystems, which are also described in this section. Refer to **Figure 8-1**.

All main timer system activities are referenced to this free-running counter. The counter begins incrementing from \$0000 as the MCU comes out of reset, and continues to the maximum count, \$FFFF. At the

maximum count, the counter rolls over to \$0000, sets an overflow flag and continues to increment. As long as the MCU is running in a normal operating mode, there is no way to reset, change or interrupt the counting. The capture/compare subsystem features three input capture channels, four output compare channels and one channel that can be selected to perform either input capture or output compare. Each of the three input capture functions has its own 16-bit input capture register (time capture latch) and each of the output compare functions has its own 16-bit compare register. All timer functions, including the timer overflow and RTI, have their own interrupt controls and separate interrupt vectors.

The pulse accumulator contains an 8-bit counter and edge select logic. The pulse accumulator can operate in either event counting mode or gated time accumulation mode. During event counting mode, the pulse accumulator's 8-bit counter increments when a specified edge is detected on an input signal. During gated time accumulation mode, an internal clock source increments the 8-bit counter while an input signal has a predetermined logic level.

The real-time interrupt (RTI) is a programmable periodic interrupt circuit that permits pacing the execution of software routines by selecting one of four interrupt rates.

The COP watchdog clock input ($E/2^{15}$) is tapped off from the free-running counter chain. The COP automatically times out unless it is serviced within a specific time by a program reset sequence. If the COP is allowed to time out, a reset is generated, which drives the $\overline{\text{RESET}}$ pin low to reset the MCU and the external system. Refer to [Table 8-1](#) for crystal related frequencies and periods.

Table 8-1. Timer resolution and capacity

Control bits PR[1:0]	Clock				4E E 1/E	XTAL E clock Period
	4.0MHz	8.0MHz	12.0MHz	16.0MHz		
	1.0MHz 1000ns	2.0MHz 500ns	3.0MHz 333ns	4.0MHz 250ns		
0 0	1.0µs 65.536ms	500ns 32.768ms	333ns 21.845ms	250ns 16.384ms	1/E 2 ¹⁶ /E	– resolution – overflow
0 1	4.0µs 262.14ms	2.0µs 131.07ms	1.333µs 87.381ms	1.0µs 65.536ms	4/E 2 ¹⁸ /E	– resolution – overflow
1 0	8.0µs 524.29ms	4.0µs 262.14ms	2.667µs 174.76ms	2.0µs 131.07ms	8/E 2 ¹⁹ /E	– resolution – overflow
1 1	16.0µs 1049ms	8.0µs 524.29ms	5.333µs 349.53ms	4.0µs 262.14ms	16/E 2 ²⁰ /E	– resolution – overflow

8.3 Timer structure

The timer functions share I/O with all eight pins of port A:

Pin	Alternate function
PA0	IC3
PA1	IC2
PA2	IC1
PA3	OC5 and/or OC1, or IC4
PA4	OC4 and/or OC1
PA5	OC3 and/or OC1
PA6	OC2 and/or OC1
PA7	PAI and/or OC1

Figure 8-2 shows the capture/compare system block diagram. The port A pin control block includes logic for timer functions and for general-purpose I/O. For pins PA3, PA2, PA1 and PA0, this block contains both the edge-detection logic and the control logic that enables the selection of which edge triggers an input capture. The digital level on PA[3:0] can be read at any time (read PORTA register), even if the pin is being used for the input capture function. Pins PA[6:3] are used either for general-purpose I/O, or as output compare pins. When one of these pins is being

Timing System

used for an output compare function, it cannot be written directly as if it were a general-purpose output. Each of the output compare functions (OC[5:2]) is related to one of the port A output pins. Output compare 1 (OC1) has extra control logic, allowing it optional control of any combination of the PA[7:3] pins. The PA7 pin can be used as a general-purpose I/O pin, as an input to the pulse accumulator or as an OC1 output pin.

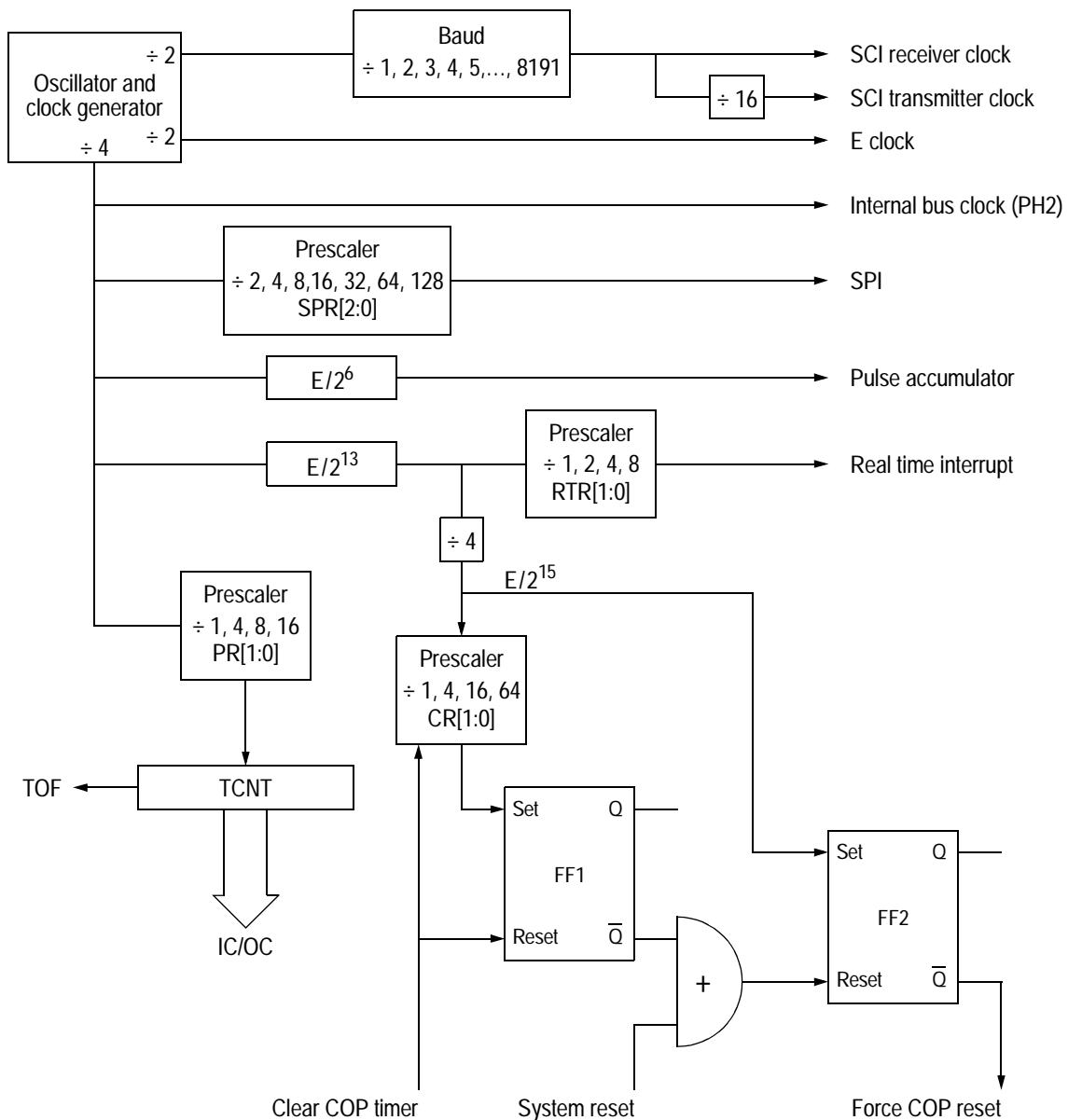
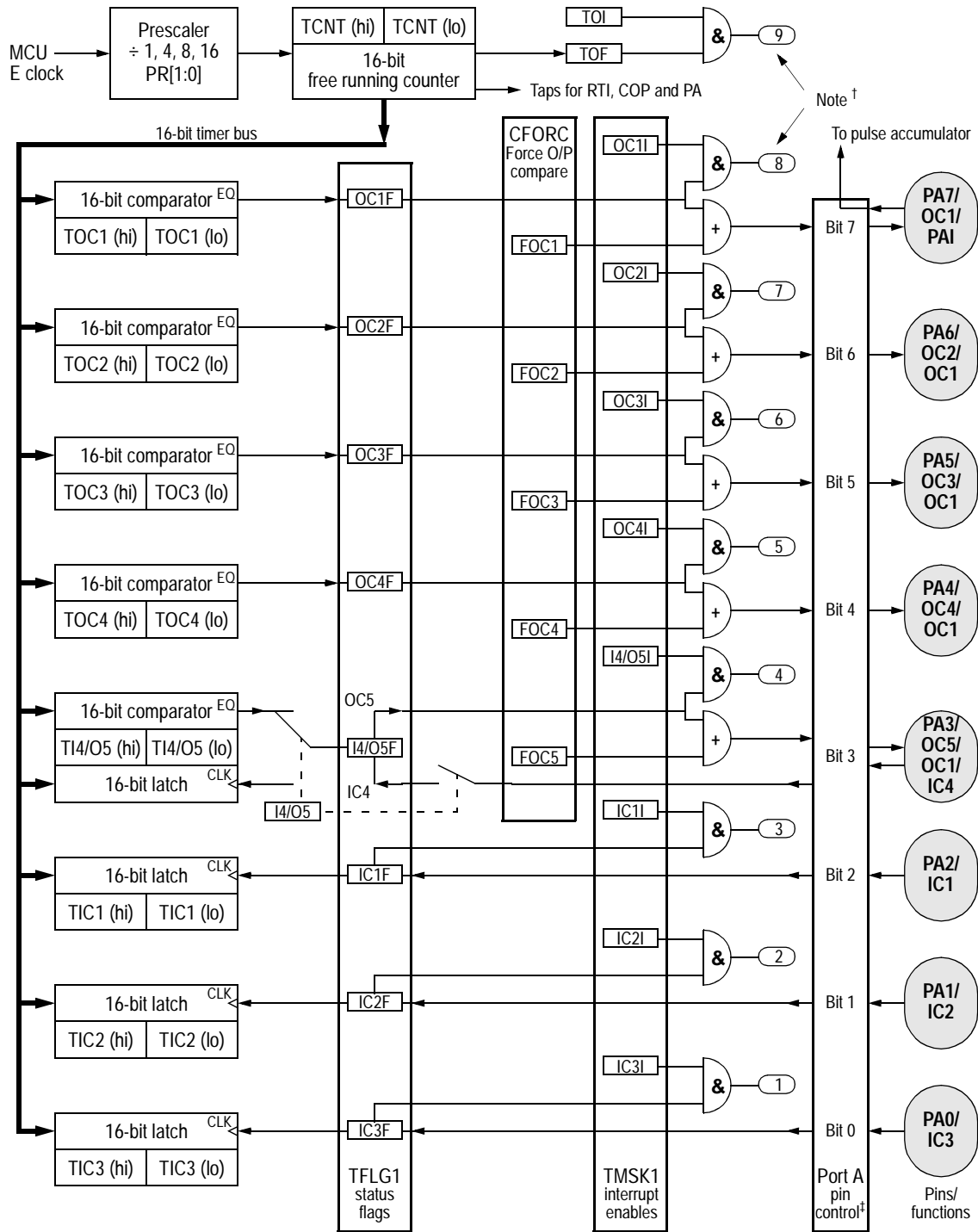


Figure 8-1. Timer clock divider chains



† Interrupt requests 1–9 (these are further qualified by the I-bit in the CCR)

‡ Port A pin actions are controlled by OC1M, OC1D, PACTL, TCTL1 and TCTL2 registers

Figure 8-2. Capture/compare block diagram

8.4 Input capture

The input capture function records the time an external event occurs by latching the value of the free-running counter when a selected edge is detected at the associated timer input pin. Software can store latched values and use them to compute the periodicity and duration of events. For example, by storing the times of successive edges of an incoming signal, software can determine the period and pulse width of a signal. To measure period, two successive edges of the same polarity are captured. To measure pulse width, two alternate polarity edges are captured.

In most cases, input capture edges are asynchronous with respect to the internal timer counter, which is clocked relative to an internal clock (PH2). These asynchronous capture requests are synchronized with PH2 so that latching occurs on the opposite half cycle of PH2 from when the timer counter is being incremented. This synchronization process introduces a delay from when the edge occurs to when the counter value is detected. Because these delays cancel out when the time between two edges is being measured, the delay can be ignored. When an input capture is being used with an output compare, there is a similar delay between the actual compare point and when the output pin changes state.

The control and status bits that implement the input capture functions are contained in the PACTL, TCTL2, TMSK1, and TFLG1 registers.

To configure port A bit 3 as an input capture, clear the DDA3 bit of the DDRA register. Note that this bit is cleared out of reset. To enable PA3 as the fourth input capture, set the I4/O5 bit in the PACTL register. Otherwise, PA3 is configured as a fifth output compare out of reset, with bit I4/O5 being cleared. If the DDA3 bit is set (configuring PA3 as an output), and IC4 is enabled, then writes to PA3 cause edges on the pin to result in input captures. Writing to TI4/O5 has no effect when the TI4/O5 register is acting as IC4.

8.4.1 TCTL2 — Timer control register 2

	Address	bit 7	bit 6	bit 5	bit 4	bit 3	bit 2	bit 1	bit 0	State on reset
Timer control 2 (TCTL2)	\$0021	EDG4B	EDG4A	EDG1B	EDG1A	EDG2B	EDG2A	EDG3B	EDG3A	0000 0000

Use the control bits of this register to program input capture functions to detect a particular edge polarity on the corresponding timer input pin. Each of the input capture functions can be independently configured to detect rising edges only, falling edges only, any edge (rising or falling), or to disable the input capture function. The input capture functions operate independently of each other and can capture the same TCNT value if the input edges are detected within the same timer count cycle.

EDGxB and EDGxA — Input capture edge control

EDGxB	EDGxA	Configuration
0	0	ICx disabled
0	1	ICx captures on rising edges only
1	0	ICx captures on falling edges only
1	1	ICx captures on any edge

There are four pairs of these bits. Each pair is cleared by reset and must be encoded to configure the corresponding input capture edge detector circuit. IC4 functions only if the I4/O5 bit in the PACTL register is set.

8.4.2 TIC1–TIC3 — Timer input capture registers

	Address	bit 7	bit 6	bit 5	bit 4	bit 3	bit 2	bit 1	bit 0	State on reset
Timer input capture 1 (TIC1) high	\$0010	(bit 15)	(14)	(13)	(12)	(11)	(10)	(9)	(bit 8)	not affected
Timer input capture 1 (TIC1) low	\$0011	(bit 7)	(6)	(5)	(4)	(3)	(2)	(1)	(bit 0)	not affected
Timer input capture 2 (TIC2) high	\$0012	(bit 15)	(14)	(13)	(12)	(11)	(10)	(9)	(bit 8)	not affected
Timer input capture 2 (TIC2) low	\$0013	(bit 7)	(6)	(5)	(4)	(3)	(2)	(1)	(bit 0)	not affected
Timer input capture 3 (TIC3) high	\$0014	(bit 15)	(14)	(13)	(12)	(11)	(10)	(9)	(bit 8)	not affected
Timer input capture 3 (TIC3) low	\$0015	(bit 7)	(6)	(5)	(4)	(3)	(2)	(1)	(bit 0)	not affected

When an edge has been detected and synchronized, the 16-bit free-running counter value is transferred into the input capture register pair as a single 16-bit parallel transfer. Timer counter value captures and timer counter incrementing occur on opposite half-cycles of the phase 2 clock so that the count value is stable whenever a capture occurs. Input capture values can be read from a pair of 8-bit read-only registers. A read of the high-order byte of an input capture register pair inhibits a new capture transfer for one bus cycle. If a double-byte read instruction, such as LDD, is used to read the captured value, coherency is assured. When a new input capture occurs immediately after a high-order byte read, transfer is delayed for an additional cycle but the value is not lost.

The TICx registers are not affected by reset.

8.4.3 TI4/O5 — Timer input capture 4/output compare 5 register

	Address	bit 7	bit 6	bit 5	bit 4	bit 3	bit 2	bit 1	bit 0	State on reset
Capture 4/compare 5 (TI4/O5) high	\$001E	(bit 15)	(14)	(13)	(12)	(11)	(10)	(9)	(bit 8)	1111 1111
Capture 4/compare 5 (TI4/O5) low	\$001F	(bit 7)	(6)	(5)	(4)	(3)	(2)	(1)	(bit 0)	1111 1111

Use TI4/O5 as either an input capture register or an output compare register, depending on the function chosen for the PA3 pin. To enable it as an input capture pin, set the I4/O5 bit in the pulse accumulator control register (PACTL) to logic level one. To use it as an output compare register, set the I4/O5 bit to a logic level zero. Refer to [PACTL — Pulse accumulator control register](#).

The TI4/O5 register pair resets to ones (\$FFFF).

8.5 Output compare

Use the output compare (OC) function to program an action to occur at a specific time — when the 16-bit counter reaches a specified value. For each of the five output compare functions, there is a separate 16-bit compare register and a dedicated 16-bit comparator. The value in the compare register is compared to the value of the free-running counter on every bus cycle. When the compare register matches the counter value, an output compare status flag is set. The flag can be used to initiate the automatic actions for that output compare function.

To produce a pulse of a specific duration, write a value to the output compare register that represents the time the leading edge of the pulse is to occur. The output compare circuit is configured to set the appropriate output either high or low, depending on the polarity of the pulse being produced. After a match occurs, the output compare register is reprogrammed to change the output pin back to its inactive level at the next match. A value representing the width of the pulse is added to the original value, and then written to the output compare register. Because the pin state changes occur at specific values of the free-running counter, the pulse width can be controlled accurately at the resolution of

the free-running counter, independent of software latency. To generate an output signal of a specific frequency and duty cycle, repeat this pulse-generating procedure.

There are four 16-bit read/write output compare registers: TOC1, TOC2, TOC3, and TOC4, and the TI4/O5 register, which functions under software control as either IC4 or OC5. Each of the OC registers is set to \$FFFF on reset. A value written to an OC register is compared to the free-running counter value during each E clock cycle. If a match is found, the particular output compare flag is set in timer interrupt flag register 1 (TFLG1). If that particular interrupt is enabled in the timer interrupt mask register 1 (TMSK1), an interrupt is generated. In addition to an interrupt, a specified action can be initiated at one or more timer output pins. For OC[5:2], the pin action is controlled by pairs of bits (OMx and OLx) in the TCTL1 register. The output action is taken on each successful compare, regardless of whether or not the OCxF flag in the TFLG1 register was previously cleared.

OC1 is different from the other output compares in that a successful OC1 compare can affect any or all five of the OC pins. The OC1 output action taken when a match is found is controlled by two 8-bit registers with three bits unimplemented: the output compare 1 mask register, OC1M, and the output compare 1 data register, OC1D. OC1M specifies which port A outputs are to be used, and OC1D specifies what data is placed on these port pins.

8.5.1 TOC1–TOC4 — Timer output compare registers

	Address	bit 7	bit 6	bit 5	bit 4	bit 3	bit 2	bit 1	bit 0	State on reset
Timer output compare 1 (TOC1) high	\$0016	(bit 15)	(14)	(13)	(12)	(11)	(10)	(9)	(bit 8)	1111 1111
Timer output compare 1 (TOC1) low	\$0017	(bit 7)	(6)	(5)	(4)	(3)	(2)	(1)	(bit 0)	1111 1111
Timer output compare 2 (TOC2) high	\$0018	(bit 15)	(14)	(13)	(12)	(11)	(10)	(9)	(bit 8)	1111 1111
Timer output compare 2 (TOC2) low	\$0019	(bit 7)	(6)	(5)	(4)	(3)	(2)	(1)	(bit 0)	1111 1111
Timer output compare 3 (TOC3) high	\$001A	(bit 15)	(14)	(13)	(12)	(11)	(10)	(9)	(bit 8)	1111 1111
Timer output compare 3 (TOC3) low	\$001B	(bit 7)	(6)	(5)	(4)	(3)	(2)	(1)	(bit 0)	1111 1111
Timer output compare 4 (TOC4) high	\$001C	(bit 15)	(14)	(13)	(12)	(11)	(10)	(9)	(bit 8)	1111 1111
Timer output compare 4 (TOC4) low	\$001D	(bit 7)	(6)	(5)	(4)	(3)	(2)	(1)	(bit 0)	1111 1111

All output compare registers are 16-bit read-write. Each is initialized to \$FFFF at reset. If an output compare register is not used for an output compare function, it can be used as a storage location. A write to the high-order byte of an output compare register pair inhibits the output compare function for one bus cycle. This inhibition prevents inappropriate subsequent comparisons. Coherency requires a complete 16-bit read or write. However, if coherency is not needed, byte accesses can be used.

For output compare functions, write a comparison value to output compare registers TOC1–TOC4 and TI4/O5. When TCNT value matches the comparison value, specified pin actions occur.

All TOCx register pairs reset to ones (\$FFFF).

8.5.2 CFORC — Timer compare force register

	Address	bit 7	bit 6	bit 5	bit 4	bit 3	bit 2	bit 1	bit 0	State on reset
Timer compare force (CFORC)	\$000B	FOC1	FOC2	FOC3	FOC4	FOC5	0	0	0	0000 0000

The CFORC register allows forced early compares. FOC[1:5] correspond to the five output compares. These bits are set for each output compare that is to be forced. The action taken as a result of a forced compare is the same as if there were a match between the OCx register and the free-running counter, except that the corresponding interrupt status flag bits are not set. The forced channels trigger their programmed pin actions to occur at the next timer count transition after the write to CFORC.

The CFORC bits should not be used on an output compare function that is programmed to toggle its output on a successful compare because a normal compare that occurs immediately before or after the force can result in an undesirable operation.

FOC[1:5] — Force output compares

- 1 = A forced output compare action will occur on the specified pin.
- 0 = No action.

Bits [2:0] — Not implemented; always read zero

8.5.3 OC1M — Output compare 1 mask register

	Address	bit 7	bit 6	bit 5	bit 4	bit 3	bit 2	bit 1	bit 0	State on reset
Output compare 1 mask (OC1M)	\$000C	OC1M ₇	OC1M ₆	OC1M ₅	OC1M ₄	OC1M ₃	0	0	0	0000 0000

Use OC1M with OC1 to specify the bits of port A that are affected by a successful OC1 compare. The bits of the OC1M register correspond to PA7–PA3.

OC1M[7:3] — Output compare masks for OC1

- 1 = OC1 is configured to control the corresponding pin of port A.
- 0 = OC1 will not affect the corresponding port A pin.

Bits [2:0] — Not implemented; always read zero.

8.5.4 OC1D — Output compare 1 data register

	Address	bit 7	bit 6	bit 5	bit 4	bit 3	bit 2	bit 1	bit 0	State on reset
Output compare 1 data (OC1D)	\$000D	OC1D7	OC1D6	OC1D5	OC1D4	OC1D3	0	0	0	0000 0000

Use this register with OC1 to specify the data that is to be written to the affected pin of port A after a successful OC1 compare. When a successful OC1 compare occurs, a data bit in OC1D is written to the corresponding pin of port A for each bit that is set in OC1M.

OC1D[7:3] — Output compare data for OC1

If OC1M_x is set, data in OC1D_x is output to port A pin x on successful OC1 compares.

Bits [2:0] — Not implemented; always read zero

8.5.5 TCNT — Timer counter register

	Address	bit 7	bit 6	bit 5	bit 4	bit 3	bit 2	bit 1	bit 0	State on reset
Timer count (TCNT) high	\$000E	(bit 15)	(14)	(13)	(12)	(11)	(10)	(9)	(bit 8)	0000 0000
Timer count (TCNT) low	\$000F	(bit 7)	(6)	(5)	(4)	(3)	(2)	(1)	(bit 0)	0000 0000

The 16-bit read-only TCNT register contains the prescaled value of the 16-bit timer. A full counter read addresses the more significant byte (MSB) first. A read of this address causes the less significant byte (LSB) to be latched into a buffer for the next CPU cycle so that a double-byte read returns the full 16-bit state of the counter at the time of the MSB read cycle.

TCNT resets to \$0000.

8.5.6 TCTL1 — Timer control register 1

	Address	bit 7	bit 6	bit 5	bit 4	bit 3	bit 2	bit 1	bit 0	State on reset
Timer control 1 (TCTL1)	\$0020	OM2	OL2	OM3	OL3	OM4	OL4	OM5	OL5	0000 0000

The bits of this register specify the action taken as a result of a successful OCx compare.

OM[2:5] — Output mode

OL[2:5] — Output level

OMx	OLx	Action taken on successful compare
0	0	Timer disconnected from OCx pin logic
0	1	Toggle OCx output line
1	0	Clear OCx output line to 0
1	1	Set OCx output line to 1

These control bit pairs are encoded to specify the action taken after a successful OCx compare. OC5 functions only if the I4/O5 bit in the PACTL register is clear.

8.5.7 TMSK1 — Timer interrupt mask register 1

	Address	bit 7	bit 6	bit 5	bit 4	bit 3	bit 2	bit 1	bit 0	State on reset
Timer interrupt mask 1 (TMSK1)	\$0022	OC1I	OC2I	OC3I	OC4I	I4/O5I	IC1I	IC2I	IC3I	0000 0000

Use this 8-bit register to enable or inhibit the timer input capture and output compare interrupts.

NOTE: Bits in TMSK1 correspond bit for bit with flag bits in TFLG1. Ones in TMSK1 enable the corresponding interrupt sources.

OC1I–OC4I — Output compare x interrupt enable

1 = OCx interrupt is enabled.

0 = OCx interrupt is disabled.

If the OCxI enable bit is set when the OCxF flag bit is set, a hardware interrupt sequence is requested.

I4/O5I — Input capture 4/output compare 5 interrupt enable

1 = IC4/OC5 interrupt is enabled.

0 = IC4/OC5 interrupt is disabled.

When I4/O5 in PACTL is set, I4/O5I is the input capture 4 interrupt enable bit.

When I4/O5 in PACTL is zero, I4/O5I is the output compare 5 interrupt enable bit.

IC1I–IC3I — Input capture x interrupt enable

1 = ICx interrupt is enabled.

0 = ICx interrupt is disabled.

If the ICxI enable bit is set when the ICxF flag bit is set, a hardware interrupt sequence is requested.

8.5.8 TFLG1 — Timer interrupt flag register 1

	Address	bit 7	bit 6	bit 5	bit 4	bit 3	bit 2	bit 1	bit 0	State on reset
Timer interrupt flag 1 (TFLG1)	\$0023	OC1F	OC2F	OC3F	OC4F	I4/O5F	IC1F	IC2F	IC3F	0000 0000

Bits in this register indicate when timer system events have occurred. Coupled with the bits of TMSK1, the bits of TFLG1 allow the timer subsystem to operate in either a polled or interrupt driven system. Clear flags by writing a one to the corresponding bit position(s).

NOTE: *Bits in TFLG1 correspond bit for bit with flag bits in TMSK1. Ones in TMSK1 enable the corresponding interrupt sources.*

OC1F–OC4F — Output compare x flag

1 = Counter has reached the preset output compare x value.

0 = Counter has not reached the preset output compare x value.

These flags are set each time the counter matches the corresponding output compare x values.

I4/O5F — Input capture 4/output compare 5 flag

Set by IC4 or OC5, depending on the function enabled by I4/O5 bit in PACTL

IC1F–IC3F — Input capture x flag

1 = Selected edge has been detected on corresponding port pin.

0 = Selected edge has not been detected on corresponding port pin.

These flags are set each time a selected active edge is detected on the ICx input line

8.5.9 TMSK2 — Timer interrupt mask register 2

	Address	bit 7	bit 6	bit 5	bit 4	bit 3	bit 2	bit 1	bit 0	State on reset
Timer interrupt mask 2 (TMSK2)	\$0024	TOI	RTII	PAOVI	PAII	0	0	PR1	PR0	0000 0000

Use this 8-bit register to enable or inhibit timer overflow and real-time interrupts. The timer prescaler control bits are included in this register.

NOTE: Bits in TMSK2 correspond bit for bit with flag bits in TFLG2. Ones in TMSK2 enable the corresponding interrupt sources.

TOI — Timer overflow interrupt enable

1 = Timer overflow interrupt requested when TOF is set.

0 = TOF interrupts disabled.

RTII — Real-time interrupt enable (refer to [Real-time interrupt](#))

PAOVI — Pulse accumulator overflow interrupt enable (refer to [Pulse accumulator status and interrupt bits](#))

PAII — Pulse accumulator input edge interrupt enable (refer to [Pulse accumulator status and interrupt bits](#))

PR[1:0] — Timer prescaler select

PR[1:0]	Prescaler
0 0	1
0 1	4
1 0	8
1 1	16

These bits are used to select the prescaler divide-by ratio. In normal modes, PR[1:0] can only be written once, and the write must be within 64 cycles after reset. See [Table 8-1](#) for specific timing values.

8.5.10 TFLG2 — Timer interrupt flag register 2

	Address	bit 7	bit 6	bit 5	bit 4	bit 3	bit 2	bit 1	bit 0	State on reset
Timer interrupt flag 2 (TFLG2)	\$0025	TOF	RTIF	PAOVF	PAIF	0	0	0	0	0000 0000

Bits in this register indicate when certain timer system events have occurred. Coupled with the four high-order bits of TMSK2, the bits of TFLG2 allow the timer subsystem to operate in either a polled or interrupt driven system. Clear flags by writing a one to the corresponding bit position(s).

NOTE: *Bits in TFLG2 correspond bit for bit with flag bits in TMSK2. Ones in TMSK2 enable the corresponding interrupt sources.*

TOF — Timer overflow interrupt flag

1 = TCNT has overflowed from \$FFFF to \$0000.

0 = No timer overflow has occurred.

RTIF — Real time (periodic) interrupt flag (refer to [Real-time interrupt](#))

PAOVF — Pulse accumulator overflow interrupt flag (refer to [Pulse accumulator](#))

PAIF — Pulse accumulator input edge interrupt flag (refer to [Pulse accumulator](#).)

Bits [3:0] — Not implemented; always read zero

8.6 Real-time interrupt

The real-time interrupt (RTI) feature, used to generate hardware interrupts at a fixed periodic rate, is controlled and configured by two bits (RTR1 and RTR0) in the pulse accumulator control (PACTL) register. The RTII bit in the TMSK2 register enables the interrupt capability. The four different rates available are a product of the MCU oscillator frequency and the value of bits RTR[1:0]. Refer to [Table 8-2](#), which shows the periodic real-time interrupt rates.

Table 8-2. RTI periodic rates

RTR[1:0]	E = 3 MHz	E = 2 MHz	E = 1 MHz	E = x MHz
0 0	2.731 ms	4.096 ms	8.192 ms	$2^{13}/E$
0 1	5.461 ms	8.192 ms	16.384 ms	$2^{14}/E$
1 0	10.923 ms	16.384 ms	32.768 ms	$2^{15}/E$
1 1	21.845 ms	32.768 ms	65.536 ms	$2^{16}/E$

The clock source for the RTI function is a free-running clock that cannot be stopped or interrupted except by reset. This clock causes the time between successive RTI timeouts to be a constant that is independent of the software latency associated with flag clearing and service. For this reason, an RTI period starts from the previous timeout, not from when RTIF is cleared.

Every timeout causes the RTIF bit in TFLG2 to be set, and if RTII is set, an interrupt request is generated. After reset, one entire RTI period elapses before the RTIF flag is set for the first time. Refer to the TMSK2, TFLG2, and PACTL registers.

8.6.1 TMSK2 — Timer interrupt mask register 2

	Address	bit 7	bit 6	bit 5	bit 4	bit 3	bit 2	bit 1	bit 0	State on reset
Timer interrupt mask 2 (TMSK2)	\$0024	TOI	RTII	PAOVI	PAII	0	0	PR1	PR0	0000 0000

This register contains the real-time interrupt enable bit.

NOTE: Bits in TMSK2 correspond bit for bit with flag bits in TFLG2. Ones in TMSK2 enable the corresponding interrupt sources.

TOI — Timer overflow interrupt enable (refer to [TMSK2 — Timer interrupt mask register 2](#))

RTII — Real-time interrupt enable
 1 = Real time interrupt requested when RTIF is set.
 0 = Real time interrupts disabled.

PAOVI — Pulse accumulator overflow interrupt enable (refer to [Pulse accumulator](#))

PAII — Pulse accumulator input edge (refer to [Pulse accumulator](#))

PR[1:0] — Timer prescaler select (refer to [TMSK2 — Timer interrupt mask register 2](#))

8.6.2 TFLG2 — Timer interrupt flag register 2

	Address	bit 7	bit 6	bit 5	bit 4	bit 3	bit 2	bit 1	bit 0	State on reset
Timer interrupt flag 2 (TFLG2)	\$0025	TOF	RTIF	PAOVF	PAIF	0	0	0	0	0000 0000

Bits of this register indicate the occurrence of timer system events. Coupled with the four high-order bits of TMSK2, the bits of TFLG2 allow the timer subsystem to operate in either a polled or interrupt driven system. Clear flags by writing a one to the corresponding bit position(s).

NOTE: *Bits in TFLG2 correspond bit for bit with flag bits in TMSK2. Ones in TMSK2 enable the corresponding interrupt sources.*

TOF — Timer overflow interrupt flag

1 = The timer has overflowed, from \$FFFF to \$0000.

0 = No timer overflow has occurred.

RTIF — Real-time interrupt flag

1 = RTI period has elapsed.

0 = RTI flag has been cleared.

The RTIF status bit is automatically set to one at the end of every RTI period.

PAOVF — Pulse accumulator overflow interrupt flag (refer to [Pulse accumulator](#))

PAIF — Pulse accumulator input edge interrupt flag (refer to [Pulse accumulator](#))

Bits [3:0] — Not implemented; always read zero

8.6.3 PACTL — Pulse accumulator control register

	Address	bit 7	bit 6	bit 5	bit 4	bit 3	bit 2	bit 1	bit 0	State on reset
Pulse accumulator control (PACTL)	\$0026	0	PAEN	PAMOD	PEDGE	0	I4/O5	RTR1	RTR0	0000 0000

Bits RTR[1:0] of this register select the rate for the RTI system. The remaining bits control the pulse accumulator and IC4/OC5 functions.

Bits 7, 3 — Not implemented; always read zero

PAEN — Pulse accumulator system enable (refer to [Pulse accumulator](#))

PAMOD — Pulse accumulator mode (refer to [Pulse accumulator](#))

PEDGE — Pulse accumulator edge control (refer to [Pulse accumulator](#))

I4/O5 — Input capture 4/output compare (refer to [Pulse accumulator](#))

RTR[1:0] — RTI interrupt rate select

These two bits determine the rate at which the RTI system requests interrupts. The RTI system is driven by an $E/2^{13}$ clock rate that is compensated so it is independent of the timer prescaler. These two control bits select an additional division factor. Refer to [Table 8-2](#).

8.7 Computer operating properly watchdog function

The clocking chain for the COP function, tapped off from the main timer divider chain, is only superficially related to the main timer system. The CR[1:0] bits in the OPTION register and the NOCOP bit in the CONFIG register determine the status of the COP function. One additional register, COPRST, is used to arm and clear the COP watchdog reset system. Refer to [Resets and Interrupts](#) for a more detailed discussion of the COP function.

8.8 Pulse accumulator

The MC68HC11P2 has an 8-bit counter that can be configured to operate either as a simple event counter, or for gated time accumulation, depending on the state of the PAMOD bit in the PACTL register. Refer to the pulse accumulator block diagram, [Figure 8-3](#).

In the event counting mode, the 8-bit counter is clocked to increasing values by an external pin. The maximum clocking rate for the external event counting mode is the E clock divided by two. In gated time accumulation mode, a free-running E clock \div 64 signal drives the 8-bit counter, but only while the external PAI pin is activated. Refer to [Table 8-3](#). The pulse accumulator counter can be read or written at any time.

Table 8-3. Pulse accumulator timing

Crystal frequency	E clock	Cycle time	64/E	PACNT overflow
4.0 MHz	1.0 MHz	1000 ns	64 μ s	16.384 ms
8.0 MHz	2.0 MHz	500 ns	32 μ s	8.192 ms
12.0 MHz	3.0 MHz	333 ns	21.33 μ s	5.461 ms
16.0 MHz	4.0 MHz	250 ns	16.0 μ s	4.096 ms

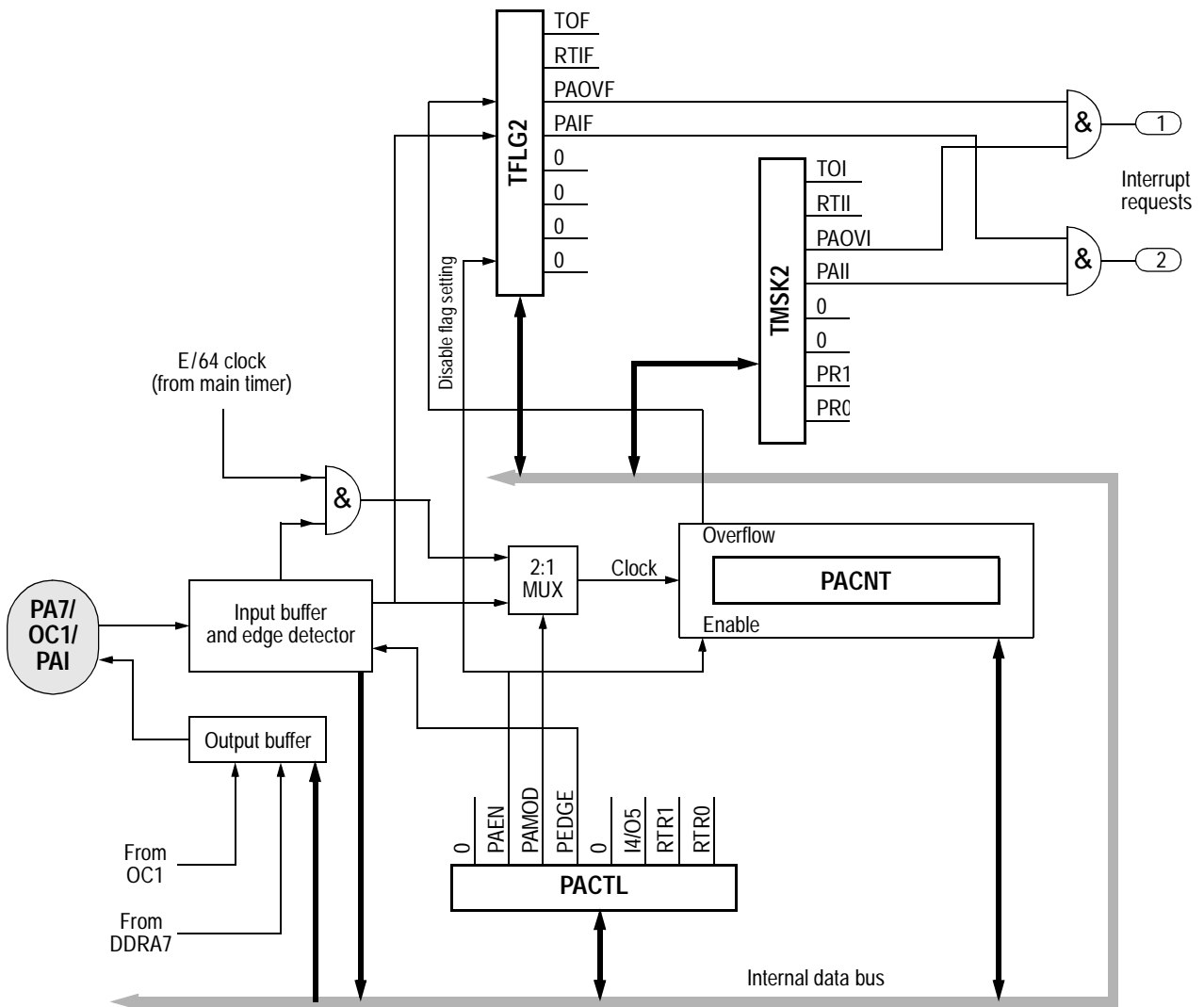


Figure 8-3. Pulse accumulator block diagram

Pulse accumulator control bits are also located within two timer registers, TMSK2 and TFLG2, as described in the following paragraphs.

8.8.1 PACTL — Pulse accumulator control register

	Address	bit 7	bit 6	bit 5	bit 4	bit 3	bit 2	bit 1	bit 0	State on reset
Pulse accumulator control (PACTL)	\$0026	0	PAEN	PAMOD	PEDGE	0	I4/O5	RTR1	RTR0	0000 0000

Four of this register's bits control an 8-bit pulse accumulator system. Another bit enables either the OC5 function or the IC4 function, while two other bits select the rate for the real-time interrupt system.

Bits [7, 3] — Not implemented; always read zero

PAEN — Pulse accumulator system enable

- 1 = Pulse accumulator enabled.
- 0 = Pulse accumulator disabled.

PAMOD — Pulse accumulator mode

- 1 = Gated time accumulation mode.
- 0 = Event counter mode.

PEDGE — Pulse accumulator edge control

This bit has different meanings depending on the state of the PAMOD bit, as shown:

PAMOD	PEDGE	Action of clock
0	0	PAI falling edge increments the counter.
0	1	PAI rising edge increments the counter.
1	0	A zero on PAI inhibits counting.
1	1	A one on PAI inhibits counting.

I4/O5 — Input capture 4/output compare 5

- 1 = Input capture 4 function is enabled (no OC5).
- 0 = Output compare 5 function is enabled (no IC4).

RTR[1:0] — RTI interrupt rate selects (refer to [Real-time interrupt](#))

8.8.2 PACNT — Pulse accumulator count register

	Address	bit 7	bit 6	bit 5	bit 4	bit 3	bit 2	bit 1	bit 0	State on reset
Pulse accumulator count (PACNT)	\$0027	(bit 7)	(6)	(5)	(4)	(3)	(2)	(1)	(bit 0)	undefined

This 8-bit read/write register contains the count of external input events at the PAI input, or the accumulated count. In gated time accumulation mode, PACNT is readable even if PAI is not active. The counter is not affected by reset and can be read or written at any time. Counting is synchronized to the internal PH2 clock so that incrementing and reading occur during opposite half cycles.

8.8.3 Pulse accumulator status and interrupt bits

The pulse accumulator control bits, PAOVI and PAII, PAOVF, and PAIF are located within timer registers TMSK2 and TFLG2.

8.8.3.1 TMSK2 — Timer interrupt mask 2 register

	Address	bit 7	bit 6	bit 5	bit 4	bit 3	bit 2	bit 1	bit 0	State on reset
Timer interrupt mask 2 (TMSK2)	\$0024	TOI	RTII	PAOVI	PAII	0	0	PR1	PR0	0000 0000

8.8.3.2 TFLG2 — Timer interrupt flag 2 register

	Address	bit 7	bit 6	bit 5	bit 4	bit 3	bit 2	bit 1	bit 0	State on reset
Timer interrupt flag 2 (TFLG2)	\$0025	TOF	RTIF	PAOVF	PAIF	0	0	0	0	0000 0000

PAOVI and PAOVF — Pulse accumulator interrupt enable and overflow flag

The PAOVF status bit is set each time the pulse accumulator count rolls over from \$FF to \$00. To clear this status bit, write a one in the corresponding data bit position (bit 5) of the TFLG2 register. The PAOVI control bit allows configuring the pulse accumulator overflow for polled or interrupt-driven operation and does not affect the state of PAOVF. When PAOVI is zero, pulse accumulator overflow interrupts

are inhibited, and the system operates in a polled mode, which requires that PAOVF be polled by user software to determine when an overflow has occurred. When the PAOVI control bit is set, a hardware interrupt request is generated each time PAOVF is set. Before leaving the interrupt service routine, software must clear PAOVF by writing to the TFLG2 register.

PAII and PAIF — Pulse accumulator input edge interrupt enable and flag

The PAIF status bit is automatically set each time a selected edge is detected at the PA7/PAI/OC1 pin. To clear this status bit, write to the TFLG2 register with a one in the corresponding data bit position (bit 4). The PAII control bit allows configuring the pulse accumulator input edge detect for polled or interrupt-driven operation but does not affect setting or clearing the PAIF bit. When PAII is zero, pulse accumulator input interrupts are inhibited, and the system operates in a polled mode. In this mode, the PAIF bit must be polled by user software to determine when an edge has occurred. When the PAII control bit is set, a hardware interrupt request is generated each time PAIF is set. Before leaving the interrupt service routine, software must clear PAIF by writing to the TFLG register.

8.9 Pulse-width modulation (PWM) timer

The PWM timer subsystem provides up to four 8-bit pulse-width modulated waveforms on the port H pins. Channel pairs can be concatenated to create 16-bit PWM outputs. Three clock sources (A, B, and S) and a flexible clock select scheme give the PWM a wide range of frequencies.

Pin	Alternate function
PH0	PW1
PH1	PW2
PH2	PW3
PH3	PW4

Four control registers configure the PWM outputs — PWCLK, PWPOL, PWSCAL, and PWEN. The PWCLK register selects the prescale value

for the PWM clock sources and enables the 16-bit PWM functions. The PWPOL register determines each channel's polarity and selects the clock source for each channel. The PWSCAL register derives a user-scaled clock based on the A clock source, and the PWEN register enables the PWM channels.

Each channel also has a separate 8-bit counter, period register, and duty cycle register. The period and duty cycle registers are double buffered so that if they are changed while the channel is enabled, the change does not take effect until the counter rolls over or the channel is disabled. A new period or duty cycle can be forced into effect immediately by writing to the period or duty cycle register and then writing to the counter.

With PWMs configured for 8-bit mode and E equal to 4 MHz, PWM signals can be produced from 40 kHz (1% duty cycle resolution) to less than 10 cycles per second (approximately 0.4% duty cycle resolution). By configuring the PWMs for 16-bit mode with E equal to 4 MHz, PWM periods greater than one minute are possible.

In 16-bit mode, duty cycle resolution of up to 15 parts per million can be achieved (at a PWM frequency of 60 Hz). In the same system, a PWM frequency of 1 kHz corresponds to a duty cycle resolution of 0.025%.

8.9.1 PWM timer block diagram

Figure 8-4 shows the block diagram of the PWM timer subsystem. Three different clock sources are selectable and provide inputs to the control registers. Each of the four channels has a counter, a period register, and a duty register. The waveform output is the result of a match between the period register (PWPERx) and the value in the counter (PWCNTx). The duty register (PWDTYx) changes the state of the output during the period to determine the duty cycle.

Timing System

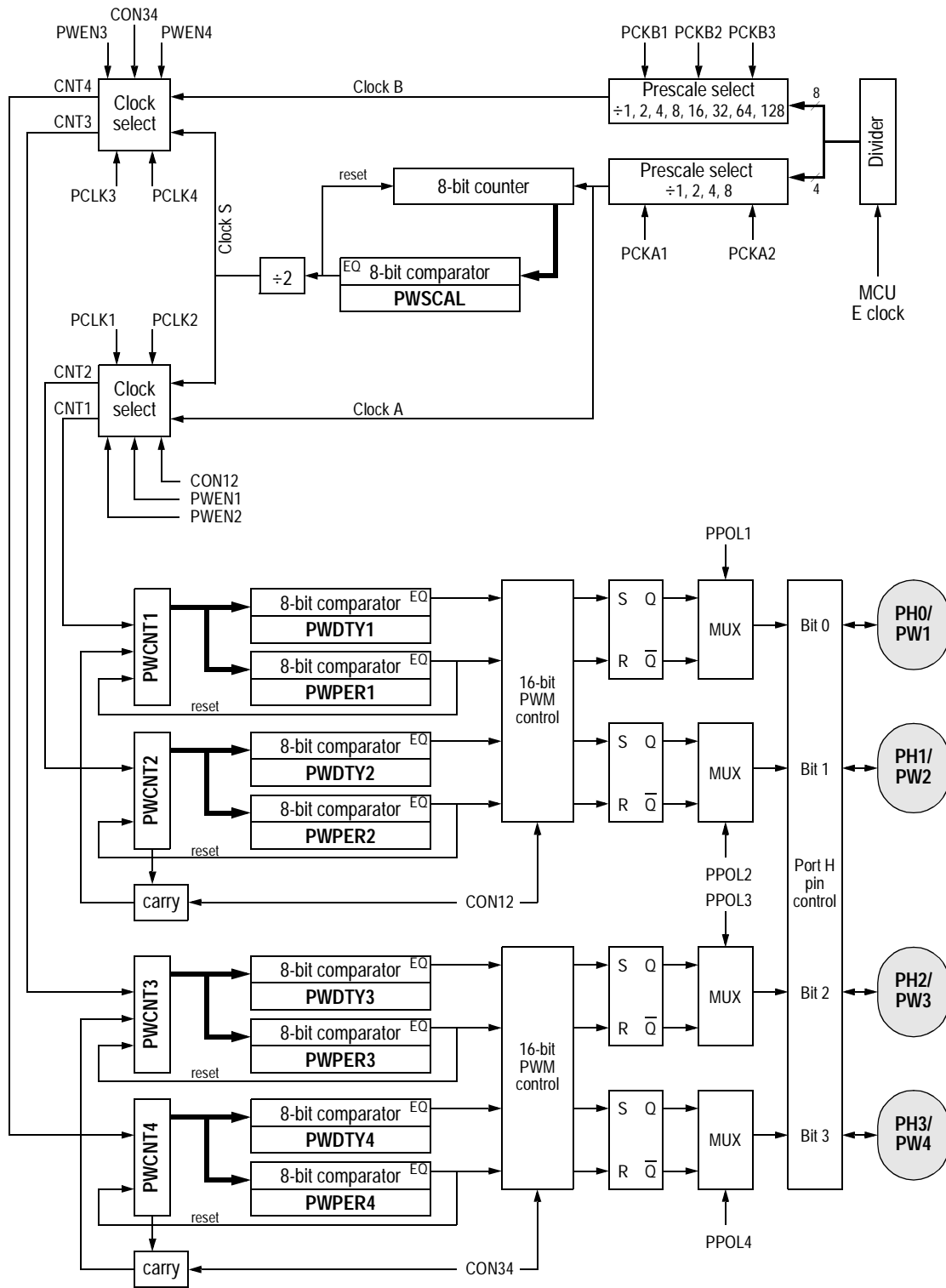


Figure 8-4. PWM timer block diagram

8.9.2 PWCLK — PWM clock prescaler and 16-bit select register

	Address	bit 7	bit 6	bit 5	bit 4	bit 3	bit 2	bit 1	bit 0	State on reset
Pulse width clock select (PWCLK)	\$0060	CON34	CON12	PCKA2	PCKA1	0	PCKB3	PCKB2	PCKB1	0000 0000

This register contains bits for selecting the 16-bit PWM options and for selecting the prescaler values for the clocks.

8.9.2.1 16-bit PWM function

The PWCLK register contains two control bits, each of which is used to concatenate a pair of PWM channels into one 16-bit channel. Channels 3 and 4 are concatenated with the CON34 bit, and channels 1 and 2 are concatenated with the CON12 bit.

When the 16-bit concatenated mode is selected, the clock source is determined by the low order channel. Channel 2 is the low order channel when channels 1 and 2 are concatenated. Channel 4 is the low order channel when channels 3 and 4 are concatenated. The pins associated with channels 1 and 3 can be used for general-purpose I/O when 16-bit PWM mode is selected.

Channel 1 registers are the high order byte of the double-byte channel when channels 1 and 2 are concatenated. Channel 3 registers are the high order byte of the double-byte channel when channels 3 and 4 are concatenated. Reads of the high order byte cause the low order byte to be latched for one cycle to guarantee that double byte reads are accurate. Writes to the low byte of the counter cause reset of the entire counter. Writes to the upper bytes of the counter have no effect.

CON34 — Concatenate channels 3 and 4

1 = Channels 3 and 4 are concatenated into one 16-bit PWM channel.

0 = Channels 3 and 4 are separate 8-bit PWMs.

When concatenated, channel 3 is the high-order byte and the channel 4 pin (PH3) is the output.

CON12 — Concatenate Channels 1 and 2

1 = Channels 1 and 2 are concatenated into one 16-bit PWM channel.

0 = Channels 1 and 2 are separate 8-bit PWMs.

When concatenated, channel 1 is the high-order byte and the channel 2 pin (PH1) is the output.

8.9.2.2 Clock prescaler selection

The three available clocks are clock A, clock B, and clock S (scaled). Clock A can be software selected to be E, E/2, E/4, or E/8. Clock B can be software selected to be E, E/2, E/4,..., E/128. The scaled clock (clock S) uses clock A as an input and divides it with a reloadable counter. The rates available are software selectable to be clock A/2, down to clock A/512.

The clock source portion of the block diagram shows the three clock sources and how the scaled clock is created. Clock A is an input to an 8-bit counter which is then compared to a user programmable scale value. When they match, this circuit has an output that is divided by two and the counter is reset.

Each PWM timer channel can be driven by one of two clocks. Refer to [Figure 8-4](#).

PCKA[2:1] — Prescaler for clock A

Determines the frequency of clock A. Refer to [Table 8-4](#).

Bit 3 — Not implemented; always reads zero

PCKB[3:1] — Prescaler for clock B

Determines the frequency of clock B. Refer to [Table 8-4](#).

Table 8-4. Clock A and clock B prescalers

PCKA[2:1]	Clock A	PCKB[3:1]	Clock B
0 0	E	0 0 0	E
0 1	E/2	0 0 1	E/2
1 0	E/4	0 1 0	E/4
1 1	E/8	0 1 1	E/8
		1 0 0	E/16
		1 0 1	E/32
		1 1 0	E/64
		1 1 1	E/128

8.9.3 PWPOL — PWM timer polarity & clock source select register

	Address	bit 7	bit 6	bit 5	bit 4	bit 3	bit 2	bit 1	bit 0	State on reset
Pulse width polarity select (PWPOL)	\$0061	PCLK4	PCLK3	PCLK2	PCLK1	PPOL4	PPOL3	PPOL2	PPOL1	0000 0000

PCLK[4:3] — Pulse width channel 4/3 clock select

- 1 = Clock S is source.
- 0 = Clock B is source.

PCLK[2:1] — Pulse width channel 2/1 clock select

- 1 = Clock S is source.
- 0 = Clock A is source.

PPOL[4:1] — Pulse width channel x polarity

- 1 = PWM channel x output is high at the beginning of the clock cycle and goes low when duty count is reached.
- 0 = PWM channel x output is low at the beginning of the clock cycle and goes high when duty count is reached.

Each channel has a polarity bit that allows a cycle to start with either a high or a low level. This is shown on the block diagram, [Figure 8-4](#), as a selection of either the Q output or the \bar{Q} output of the PWM output flip flop. When one of the bits in the PWPOL register is set, the associated PWM channel output is high at the beginning of the clock cycle, then goes low when the duty count is reached.

8.9.4 PWSCAL — PWM timer prescaler register

	Address	bit 7	bit 6	bit 5	bit 4	bit 3	bit 2	bit 1	bit 0	State on reset
Pulse width scale (PWSCAL)	\$0062	(bit 7)	(6)	(5)	(4)	(3)	(2)	(1)	(bit 0)	0000 0000

Scaled clock S is generated by dividing clock A by the value in PWSCAL, then dividing the result by two. If PWSCAL = \$00, clock A is divided by 256, then divided by two to generate clock S.

8.9.5 PWEN — PWM timer enable register

	Address	bit 7	bit 6	bit 5	bit 4	bit 3	bit 2	bit 1	bit 0	State on reset
Pulse width enable (PWEN)	\$0063	TPWSL	DISCP	0	0	PWEN4	PWEN3	PWEN2	PWEN1	0000 0000

Each timer has an enable bit to start its waveform output. Writing any of these PWENx bits to one causes the associated port line to become an output regardless of the state of the associated DDR bit. This does not change the state of the DDR bit and when PWENx returns to zero the DDR bit again controls I/O state. On the front end of the PWM timer the clock is connected to the PWM circuit by the PWENx enable bit being high. There is a synchronizing circuit to guarantee that the clock will only be enabled or disabled at an edge.

PWEN contains 4 PWM enable bits — one for each channel. When an enable bit is set to one, the pulse modulated signal becomes available at the associated port pin.

TPWSL — PWM scaled clock test bit (Test mode only)

1 = Clock S output to PWSCAL register (Test only).

0 = Normal operation.

When TPWSL is one, clock S from the PWM timer is output to PWSCAL register. Normal writing to the PWSCAL register still functions.

DISCP — Disable compare scaled E clock (Test mode only)

1 = Match of period does not reset associated count register (Test only).

0 = Normal operation.

Bits [5:4] — Not implemented; always read zero

PWEN[4:1] — Pulse width channels 4–1

1 = Channel enabled on the associated port pin.

0 = Channel disabled.

8.9.6 PWCNT1–4 — PWM timer counter registers 1 to 4

	Address	bit 7	bit 6	bit 5	bit 4	bit 3	bit 2	bit 1	bit 0	State on reset
Pulse width count 1 (PWCNT1)	\$0064	(bit 7)	(6)	(5)	(4)	(3)	(2)	(1)	(bit 0)	0000 0000
Pulse width count 2 (PWCNT2)	\$0065	(bit 7)	(6)	(5)	(4)	(3)	(2)	(1)	(bit 0)	0000 0000
Pulse width count 3 (PWCNT3)	\$0066	(bit 7)	(6)	(5)	(4)	(3)	(2)	(1)	(bit 0)	0000 0000
Pulse width count 4 (PWCNT4)	\$0067	(bit 7)	(6)	(5)	(4)	(3)	(2)	(1)	(bit 0)	0000 0000

Each channel has its own counter which can be read at any time without affecting the count or the operation of the PWM channel. Writing to a counter causes it to be reset to \$00; this is generally done before the counter is enabled. A counter may also be written to whilst it is enabled; this may cause a truncated PWM period.

8.9.7 PWPER1–4 — PWM timer period registers 1 to 4

	Address	bit 7	bit 6	bit 5	bit 4	bit 3	bit 2	bit 1	bit 0	State on reset
Pulse width period 1 (PWPER1)	\$0068	(bit 7)	(6)	(5)	(4)	(3)	(2)	(1)	(bit 0)	1111 1111
Pulse width period 2 (PWPER2)	\$0069	(bit 7)	(6)	(5)	(4)	(3)	(2)	(1)	(bit 0)	1111 1111
Pulse width period 3 (PWPER3)	\$006A	(bit 7)	(6)	(5)	(4)	(3)	(2)	(1)	(bit 0)	1111 1111
Pulse width period 4 (PWPER4)	\$006B	(bit 7)	(6)	(5)	(4)	(3)	(2)	(1)	(bit 0)	1111 1111

There is one period register for each channel. The value in this register determines the period of the associated PWM timer channel. PWPERx is connected internally to a buffer which compares directly with the counter register. The period value in PWPERx is loaded into the buffer when the counter is cleared by the termination of the previous period or by a write to the counter. This register can be written at any time, and the written value will take effect from the start of the next PWM timer cycle. Reads of this register return the most recent value written.

8.9.8 PWDTY1–4 — PWM timer duty cycle registers 1 to 4

	Address	bit 7	bit 6	bit 5	bit 4	bit 3	bit 2	bit 1	bit 0	State on reset
Pulse width duty 1 (PWDTY1)	\$006C	(bit 7)	(6)	(5)	(4)	(3)	(2)	(1)	(bit 0)	1111 1111
Pulse width duty 2 (PWDTY2)	\$006D	(bit 7)	(6)	(5)	(4)	(3)	(2)	(1)	(bit 0)	1111 1111
Pulse width duty 3 (PWDTY3)	\$006E	(bit 7)	(6)	(5)	(4)	(3)	(2)	(1)	(bit 0)	1111 1111
Pulse width duty 4 (PWDTY4)	\$006F	(bit 7)	(6)	(5)	(4)	(3)	(2)	(1)	(bit 0)	1111 1111

There is one duty register for each channel. The value in this register determines the duty cycle of the associated PWM timer channel. PWDTY_x is compared to the counter contents and if they are equal, a match occurs and the output goes to the state defined by the associated polarity bit. If the register is written while the channel is enabled, then the new value is held in a buffer until the counter rolls over or the channel is disabled. Reads of this register return the most recent value written.

NOTE: *If PWDTY_x \dot{S} PWPER_x then there will be no change of state due to the duty cycle value. In addition, if the duty register is set to \$00, then the output will always be in the state which would normally be result from the duty change of state (see also [Boundary cases](#)).*

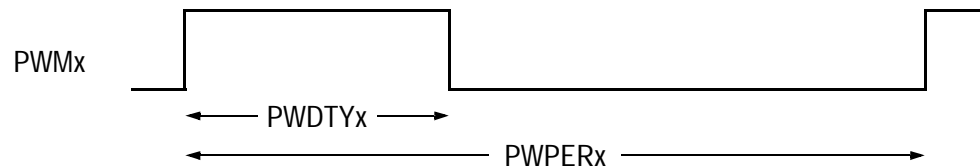


Figure 8-5. PWM duty cycle

8.9.9 Boundary cases

The following boundary conditions apply to the values stored in the PWDTY_x and PWPER_x registers and the PPOL_x bits:

- If PWDTY_x = \$00, PWPER_x > \$00 and PPOL_x = 0 then the output is always high.
- If PWDTY_x = \$00, PWPER_x > \$00 and PPOL_x = 1 then the output is always low.
- If PWDTY_x \leq PWPER_x and PPOL_x = 0 then the output is always low.
- If PWDTY_x \leq PWPER_x and PPOL_x = 1 then the output is always high.
- If PWPER_x = \$00 and PPOL_x = 0 then the output is always low.
- If PWPER_x = \$00 and PPOL_x = 1 then the output is always high.

Section 9. Analog-to-Digital Converter

9.1 Contents

9.2	Introduction	173
9.3	Overview	174
9.4	A/D converter power-up and clock select	178
9.5	Channel assignments	180
9.6	Control, status and results registers	181
9.7	Operation in STOP and WAIT modes	184

9.2 Introduction

The analog-to-digital (A/D) system, a successive approximation converter, uses an all-capacitive charge redistribution technique to convert analog signals to digital values.

The A/D converter shares input pins with port E:

Pin	Alternate function
PE0	AD0
PE1	AD1
PE2	AD2
PE3	AD3
PE4	AD4
PE5	AD5
PE6	AD6
PE7	AD7

9.3 Overview

The A/D system is an 8-channel, 8-bit, multiplexed-input converter. The VDD AD and VSS AD pins are used to input supply voltage to the A/D converter. This allows the supply voltage to be bypassed independently. The converter does not require external sample and hold circuits because of the type of charge redistribution technique used. A/D converter timing can be synchronized to the system E clock, or to an internal resistor capacitor (RC) oscillator. The A/D converter system consists of four functional blocks: multiplexer, analog converter, digital control and result storage. Refer to **Figure 9-1**.

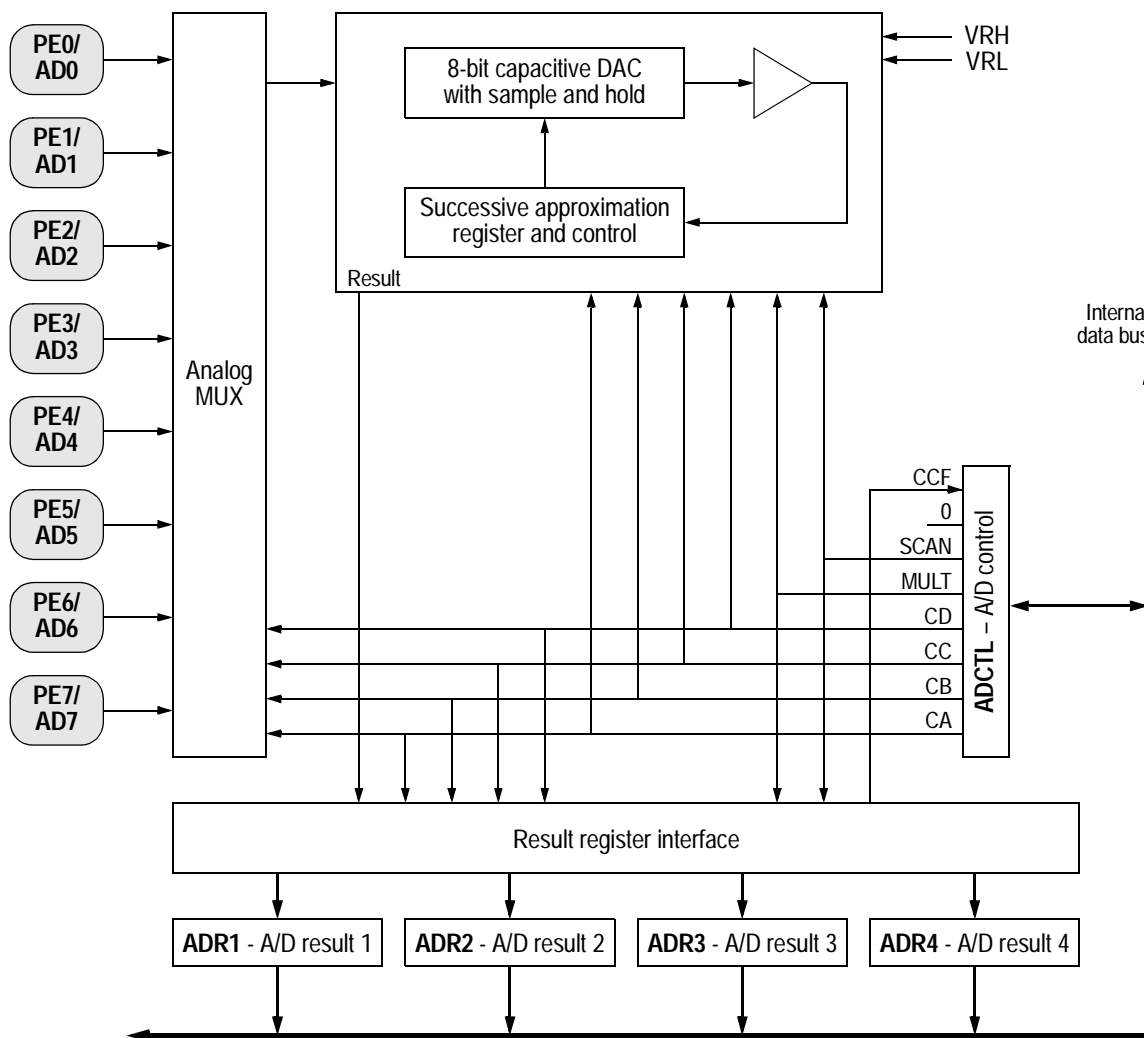
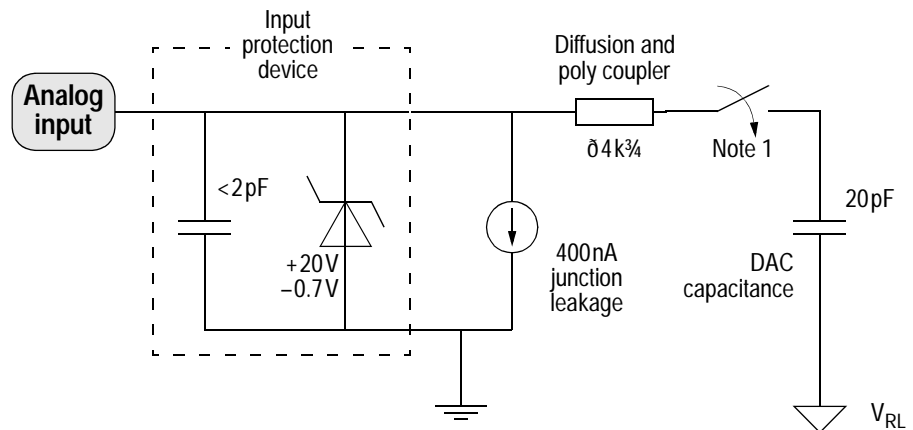


Figure 9-1. A/D converter block diagram

9.3.1 Multiplexer

The multiplexer selects one of 16 inputs for conversion. Input selection is controlled by the value of bits CD – CA in the ADCTL register. The eight port E pins are fixed-direction analog inputs to the multiplexer, and additional internal analog signal lines are routed to it.

Port E pins can also be used as digital inputs. Digital reads of port E pins are not recommended during the sample portion of an A/D conversion cycle, when the gate signal to the N-channel input gate is on. Because no P-channel devices are directly connected to either input pins or reference voltage pins, voltages above V_{DD} do not cause a latchup problem, although current should be limited according to maximum ratings. Refer to [Figure 9-2](#), which is a functional diagram of an input pin.



Note 1: The analog switch is closed only during the 12 cycle sample time

Note 2: All component values are approximate

Figure 9-2. Electrical model of an A/D input pin (in sample mode)

9.3.2 Analog converter

Conversion of an analog input selected by the multiplexer occurs in this block. It contains a digital-to-analog capacitor (DAC) array, a comparator, and a successive approximation register (SAR). Each conversion is a sequence of eight comparison operations, beginning with the most significant bit (MSB). Each comparison determines the value of a bit in the SAR.

The DAC array performs two functions. It acts as a sample and hold circuit during the entire conversion sequence, and provides comparison voltage to the comparator during each successive comparison.

The result of each successive comparison is stored in the SAR. When a conversion sequence is complete, the contents of the SAR are transferred to the appropriate result register.

A charge pump provides switching voltage to the gates of analog switches in the multiplexer. Charge pump output must stabilize between 7 and 8 volts within up to 100 μ s before the converter can be used. The charge pump is enabled by the ADPU bit in the OPTION register.

9.3.3 Digital control

All A/D converter operations are controlled by bits in register ADCTL. In addition to selecting the analog input to be converted, ADCTL bits indicate conversion status, and control whether single or continuous conversions are performed. Finally, the ADCTL bits determine whether conversions are performed on single or multiple channels.

9.3.4 Result registers

Four 8-bit registers (ADR1 – ADR4) store conversion results. Each of these registers can be accessed by the processor in the CPU. The conversion complete flag (CCF) indicates when valid data is present in the result registers. The result registers are written during a portion of the system clock cycle when reads do not occur, so there is no conflict.

9.3.5 A/D converter clocks

The CSEL bit in the OPTION register selects whether the A/D converter uses the system E clock or an internal RC oscillator for synchronization. When E clock frequency is below 750kHz, charge leakage in the capacitor array can cause errors, and the internal oscillator should be used. When the RC clock is used, additional errors can occur because the comparator is sensitive to the additional system clock noise.

9.3.6 Conversion sequence

A/D converter operations are performed in sequences of four conversions each. A conversion sequence can repeat continuously or stop after one iteration. The conversion complete flag (CCF) is set after the fourth conversion in a sequence to show the availability of data in the result registers. **Figure 9-3** shows the timing of a typical sequence. Synchronization is referenced to the system E clock.

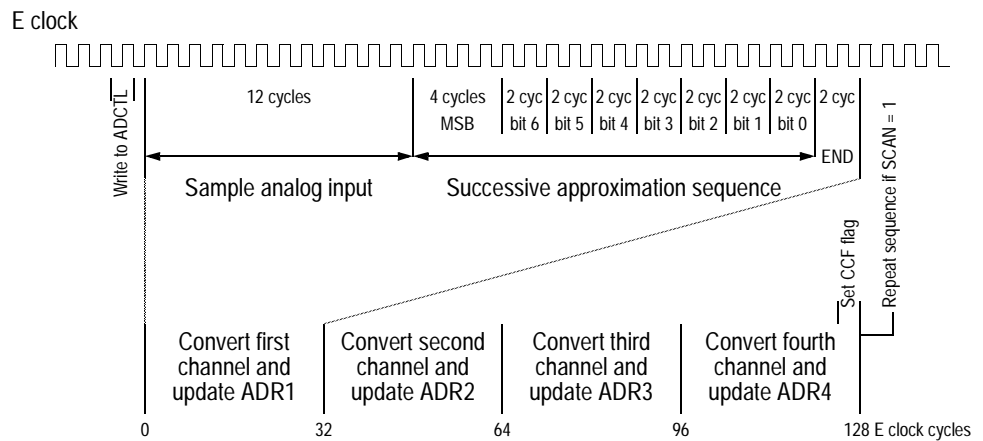


Figure 9-3. A/D conversion sequence

9.3.7 Conversion process

The A/D conversion sequence begins one E clock cycle after a write to the A/D control/status register, ADCTL. The bits in ADCTL select the channel and the mode of conversion.

An input voltage equal to V_{RL} converts to \$00 and an input voltage equal to V_{RH} converts to \$FF (full scale), with no overflow indication. For ratiometric conversions of this type, the source of each analog input should use V_{RH} as the supply voltage and be referenced to V_{RL} .

9.4 A/D converter power-up and clock select

ADPU (bit 7 of the OPTION register) controls A/D converter power up. Clearing ADPU removes power from and disables the A/D converter system; setting ADPU enables the A/D converter system. After the A/D converter is turned on, the analog bias voltages will take up to 100 μ s to stabilize.

When the A/D converter system is operating from the MCU E clock, all switching and comparator operations are synchronized to the MCU clocks. This allows the comparator results to be sampled at ‘quiet’ times, which minimizes noise errors. The internal RC oscillator is asynchronous with respect to the MCU clock, so noise can affect the A/D converter results. This results in a slightly lower typical accuracy when using the internal oscillator (CSEL = 1).

9.4.1 OPTION — System configuration options register 1

	Address	bit 7	bit 6	bit 5	bit 4	bit 3	bit 2	bit 1	bit 0	State on reset
System config. options 1 (OPTION)	\$0039	ADPU	CSEL	IRQE	DLY	CME	FCME	CR1	CR0	0001 0000

The 8-bit special-purpose OPTION register sets internal system configuration options during initialization. The time protected control bits, IRQE, DLY, FCME and CR[1:0] can be written to only once in the first 64 cycles after a reset and then they become read-only bits. This minimizes the possibility of any accidental changes to the system configuration. They may be written at any time in special modes.

ADPU — A/D power-up

1 = A/D system power enabled.

0 = A/D system disabled, to reduce supply current.

After enabling the A/D power, at least 100 μ s should be allowed for system stabilization.

CSEL — Clock select

1 = A/D and EEPROM use internal RC clock source (about 1.5MHz).

0 = A/D and EEPROM use system E clock (must be at least 1 MHz).

Selects alternate clock source for on-chip EEPROM and A/D charge pumps. The on-chip RC clock should be used when the E clock frequency falls below 1 MHz.

IRQE — Configure $\overline{\text{IRQ}}$ for falling edge sensitive operation (refer to [Operating Modes and On-Chip Memory](#))

1 = Falling edge sensitive operation.

0 = Low level sensitive operation.

DLY — Enable oscillator start-up delay

1 = A delay of approximately 4000 E clock cycles is imposed as the MCU is started up from the STOP mode.

0 = The oscillator start-up delay coming out of STOP is bypassed and the MCU resumes processing within about four bus cycles. A stable external oscillator is required if this option is selected.

CME — Clock monitor enable (refer to [Resets and Interrupts](#))

1 = Clock monitor enabled.

0 = Clock monitor disabled.

FCME — Force clock monitor enable (refer to [Resets and Interrupts](#))

1 = Clock monitor enabled, cannot be disabled until next reset.

0 = Clock monitor follows the state of the CME bit.

CR[1:0] — COP timer rate select bits (refer to [Resets and Interrupts](#))

9.5 Channel assignments

The multiplexer allows the A/D converter to select one of sixteen analog signals. Eight of these channels correspond to port E input lines to the MCU, four others are internal reference points or test functions; the remaining four channels are reserved. Refer to [Table 9-1](#).

Table 9-1. A/D converter channel assignments

Channel number	Channel signal	Result in ADRx if MULT = 1
1	AN0	ADR1
2	AN1	ADR2
3	AN2	ADR3
4	AN3	ADR4
5	AN4	ADR1
6	AN5	ADR2
7	AN6	ADR3
8	AN7	ADR4
9–12	reserved	—
13	$V_{RH}^{(1)}$	ADR1
14	V_{RL}^*	ADR2
15	$V_{RH}/2^*$	ADR3
16	reserved*	ADR4

1. Used for factory testing.

9.5.1 Single-channel operation

There are two types of single-channel operation. In the first type (SCAN = 0), the single selected channel is converted four consecutive times. The first result is stored in A/D result register 1 (ADR1), and the fourth result is stored in ADR4. After the fourth conversion is complete, all conversion activity is halted until a new conversion command is written to the ADCTL register. In the second type of single-channel operation (SCAN = 1), conversions continue to be performed on the selected channel with the fifth conversion being stored in register ADR1 (overwriting the first conversion result), the sixth conversion overwriting ADR2, and so on.

9.5.2 Multiple-channel operation

There are two types of multiple-channel operation. In the first type (SCAN = 0), a selected group of four channels is converted once only. The first result is stored in A/D result register 1 (ADR1), and the fourth result is stored in ADR4. After the fourth conversion is complete, all conversion activity is halted until a new conversion command is written to the ADCTL register. In the second type of multiple-channel operation (SCAN = 1), conversions continue to be performed on the selected group of channels with the fifth conversion being stored in register ADR1 (replacing the earlier conversion result for the first channel in the group), the sixth conversion overwriting ADR2, and so on.

9.6 Control, status and results registers

9.6.1 ADCTL — A/D control and status register

	Address	bit 7	bit 6	bit 5	bit 4	bit 3	bit 2	bit 1	bit 0	State on reset
A/D control & status (ADCTL)	\$0030	CCF	0	SCAN	MULT	CD	CC	CB	CA	u0uu uuuu

All bits in this register can be read or written, except bit 7, which is a read-only status indicator, and bit 6, which always reads as zero. Write to ADCTL to initiate a conversion. To quit a conversion in progress, write to this register and a new conversion sequence begins immediately.

CCF — Conversions complete flag

1 = All four A/D result registers contain valid conversion data.

0 = At least one of the A/D result registers contains invalid data.

A read-only status indicator, this bit is set when all four A/D result registers contain valid conversion results. Each time the ADCTL register is overwritten, this bit is automatically cleared to zero and a conversion sequence is started. In the continuous mode, CCF is set at the end of the first conversion sequence.

Bit 6 — Not implemented; always reads zero.

SCAN — Continuous scan control

1 = A/D conversions take place continuously.

0 = Each of the four conversions is performed only once.

When this control bit is clear, the four requested conversions are performed once to fill the four result registers. When this control bit is set, conversions continue in a round-robin fashion with the result registers updated as data becomes available.

MULT — Multiple-channel/single-channel control

1 = Each A/D channel has a result register allocated to it.

0 = Four consecutive conversions from the same A/D channel are stored in the results registers.

When this bit is clear, the A/D converter system is configured to perform four consecutive conversions on the single channel specified by the four channel select bits CD–CA (bits 3–0 of the ADCTL register). When this bit is set, the A/D system is configured to perform a conversion on each of four channels where each result register corresponds to one channel.

NOTE: *When the multiple-channel continuous scan mode is used, extra care is needed in the design of circuitry driving the A/D inputs. The charge on the capacitive DAC array before the sample time is related to the voltage on the previously converted channel. A charge share situation exists between the internal DAC capacitance and the external circuit capacitance. Although the amount of charge involved is small, the rate at which it is repeated is every 64 μ s for an E clock of 2 MHz. The RC charging rate of the external circuit must be balanced against this charge sharing effect to avoid errors in accuracy. Refer to the **M68HC11 Reference Manual (M68HC11RM/AD)** for further information.*

CD–CA — Channel selects D–A

When a multiple channel mode is selected (MULT = 1), the two least significant channel select bits (CB and CA) have no meaning and the CD and CC bits specify which group of four channels is to be converted.

Channel select control bits	Channel signal	Result in ADR _x if MULT = 1
CD:CC:CB:CA		
0 0 0 0	AN0	ADR1
0 0 0 1	AN1	ADR2
0 0 1 0	AN2	ADR3
0 0 1 1	AN3	ADR4
0 1 0 0	AN4	ADR1
0 1 0 1	AN5	ADR2
0 1 1 0	AN6	ADR3
0 1 1 1	AN7	ADR4
1 0 X X	reserved	—
1 1 0 0	V _{RH} ⁽¹⁾	ADR1
1 1 0 1	V _{RL} ⁽¹⁾	ADR2
1 1 1 0	V _{RH} /2 ⁽¹⁾	ADR3
1 1 1 1	reserved ⁽¹⁾	ADR4

1. Used for factory testing.

9.6.2 ADR1–ADR4 — A/D converter results registers

	Address	bit 7	bit 6	bit 5	bit 4	bit 3	bit 2	bit 1	bit 0	State on reset
A/D result 1 (ADR1)	\$0031	(bit 7)	(6)	(5)	(4)	(3)	(2)	(1)	(bit 0)	undefined
A/D result 2 (ADR2)	\$0032	(bit 7)	(6)	(5)	(4)	(3)	(2)	(1)	(bit 0)	undefined
A/D result 3 (ADR3)	\$0033	(bit 7)	(6)	(5)	(4)	(3)	(2)	(1)	(bit 0)	undefined
A/D result 4 (ADR4)	\$0034	(bit 7)	(6)	(5)	(4)	(3)	(2)	(1)	(bit 0)	undefined

These read-only registers hold an 8-bit conversion result. Writes to these registers have no effect. Data in the A/D converter result registers is valid when the CCF flag in the ADCTL register is set, indicating a conversion sequence is complete. If conversion results are needed sooner, refer to [Figure 9-3](#), which shows the A/D conversion sequence diagram.

9.7 Operation in STOP and WAIT modes

If a conversion sequence is in progress when either the STOP or WAIT mode is entered, the conversion of the current channel is suspended. When the MCU resumes normal operation, that channel is resampled and the conversion sequence is resumed. As the MCU exits the WAIT mode, the A/D circuits are stable and valid results can be obtained on the first conversion. However, in STOP mode, all analog bias currents are disabled and it is necessary to allow a stabilization period when leaving the STOP mode. If the STOP mode is exited with a delay (DLY = 1), there is enough time for these circuits to stabilize before the first conversion. If the STOP mode is exited with no delay (DLY bit in OPTION register = 0), allow 10 ms for the A/D circuitry to stabilize to avoid invalid results.

Section 10. Resets and Interrupts

10.1 Contents

10.2	Introduction	185
10.3	Resets	185
10.4	Effects of reset	192
10.5	Reset and interrupt priority	195
10.6	Interrupts	200
10.7	Low power operation	203

10.2 Introduction

Resets and interrupt operations load the program counter with a vector that points to a new location from which instructions are to be fetched. A reset immediately stops execution of the current instruction and forces the program counter to a known starting address. Internal registers and control bits are initialized so that the MCU can resume executing instructions. An interrupt temporarily suspends normal program execution whilst an interrupt service routine is being executed. After an interrupt has been serviced, the main program resumes as if there had been no interruption.

10.3 Resets

There are four possible sources of reset. Power-on reset (POR) and external reset share the normal reset vector. The computer operating properly (COP) reset and the clock monitor reset each has its own vector.

10.3.1 Power-on reset

A positive transition on VDD generates a power-on reset (POR), which is used only for power-up conditions. POR cannot be used to detect drops in power supply voltages. A 4064 t_{CYC} (internal clock cycle) delay after the oscillator becomes active allows the clock generator to stabilize. If $\overline{\text{RESET}}$ is at logical zero at the end of 4064 t_{CYC} , the CPU remains in the reset condition until $\overline{\text{RESET}}$ goes to logical one.

It is important to protect the MCU during power transitions. Most M68HC11 systems need an external circuit that holds the $\overline{\text{RESET}}$ pin low whenever V_{DD} is below the minimum operating level. This external voltage level detector, or other external reset circuits, are the usual source of reset in a system. The POR circuit only initializes internal circuitry during cold starts. Refer to [Figure 2-2](#).

10.3.2 External reset ($\overline{\text{RESET}}$)

The CPU distinguishes between internal and external reset conditions by sensing whether the reset pin rises to a logic one in less than two E clock cycles after an internal device releases reset. When a reset condition is sensed, the $\overline{\text{RESET}}$ pin is driven low by an internal device for four E clock cycles, then released. Two E clock cycles later it is sampled. If the pin is still held low, the CPU assumes that an external reset has occurred. If the pin is high, it indicates that the reset was initiated internally by either the COP system or the clock monitor. It is not advisable to connect an external resistor capacitor (RC) power-up delay circuit to the reset pin of M68HC11 devices because the circuit charge time constant can cause the device to misinterpret the type of reset that occurred.

10.3.3 COP reset

The MCU includes a COP system to help protect against software failures. When the COP is enabled, the software is responsible for keeping a free-running watchdog timer from timing out. When the software is no longer being executed in the intended sequence, a system reset is initiated.

The state of the NOCOP bit in the CONFIG register determines whether the COP system is enabled or disabled. To change the enable status of the COP system, change the contents of the CONFIG register and then perform a system reset. In the special test and bootstrap operating modes, the COP system is initially inhibited by the disable resets (DISR) control bit in the TEST1 register. The DISR bit can subsequently be written to zero to enable COP resets.

The COP timer rate control bits CR[1:0] in the OPTION register determine the COP timeout period. The system E clock is divided by 2^{15} and then further scaled by a factor shown in [Table 10-1](#). After reset, these bits are zero, which selects the shortest timeout period. In normal operating modes, these bits can only be written once within 64 bus cycles after reset.

Table 10-1. COP timer rate select

CR[1:0]	Divide E/2 ¹⁵ by	XTAL = 8MHz: timeout ⁽¹⁾	XTAL = 12MHz: timeout ⁽¹⁾	XTAL = 16MHz: timeout ⁽¹⁾
0 0	1	16.384 ms	10.923 ms	8.192 ms
0 1	4	65.536 ms	43.691 ms	32.768 ms
1 0	16	262.14 ms	174.76 ms	131.07 ms
1 1	64	1.049 sec	699.05 ms	524.29 ms
	E =	2.0 MHz	3.0 MHz	4.0 MHz

1. The timeout period has a tolerance of $-0/+one$ cycle of the $E/2^{15}$ clock due to the asynchronous implementation of the COP circuitry. For example, with XTAL = 8MHz, the uncertainty is $-0/+16.384$ ms. See also the *M68HC11 Reference Manual, (M68HC11RM/AD)*.

10.3.4 COPRST — Arm/reset COP timer circuitry register

	Address	bit 7	bit 6	bit 5	bit 4	bit 3	bit 2	bit 1	bit 0	State on reset
COP timer arm/reset (COPRST)	\$003A	(bit 7)	(6)	(5)	(4)	(3)	(2)	(1)	(bit 0)	not affected

Complete the following reset sequence to service the COP timer. Write \$55 to COPRST to arm the COP timer clearing mechanism. Then write \$AA to COPRST to clear the COP timer. Executing instructions between

these two steps is possible as long as both steps are completed in the correct sequence before the timer times out.

10.3.5 Clock monitor reset

The clock monitor circuit is based on an internal RC time delay. If no MCU clock edges are detected within this RC time delay, the clock monitor can optionally generate a system reset. The clock monitor function is enabled or disabled by the CME control bit in the OPTION register. The presence of a timeout is determined by the RC delay, which allows the clock monitor to operate without any MCU clocks.

Clock monitor is used as a backup for the COP system. Because the COP needs a clock to function, it is disabled when the clocks stop. Therefore, the clock monitor system can detect clock failures not detected by the COP system.

Semiconductor wafer processing causes variations of the RC timeout values between individual devices. An E clock frequency below 10 kHz is detected as a clock monitor error. An E clock frequency of 200 kHz or more prevents clock monitor errors. Using the clock monitor function when the E clock is below 200 kHz is not recommended.

Special considerations are needed when a STOP instruction is executed and the clock monitor is enabled. Because the STOP function causes the clocks to be halted, the clock monitor function generates a reset sequence if it is enabled at the time the STOP mode was initiated. Before executing a STOP instruction, clear the CME bit in the OPTION register to zero to disable the clock monitor. After recovery from STOP, set the CME bit to logic one to enable the clock monitor.

10.3.6 OPTION — System configuration options register 1

	Address	bit 7	bit 6	bit 5	bit 4	bit 3	bit 2	bit 1	bit 0	State on reset
System config. options 1 (OPTION)	\$0039	ADPU	CSEL	IRQE	DLY	CME	FCME	CR1	CR0	0001 0000

The special-purpose OPTION register sets internal system configuration options during initialization. The time protected control bits (IRQE, DLY, FCME and CR[1:0]) can be written to only once in the first 64 cycles after a reset and then they become read-only bits. This minimizes the possibility of any accidental changes to the system configuration. They may be written at any time in special modes.

ADPU — A/D power-up (Refer to [Analog-to-Digital Converter](#))

1 = A/D system power enabled.

0 = A/D system disabled, to reduce supply current.

CSEL — Clock select (Refer to [Analog-to-Digital Converter](#))

1 = A/D and EEPROM use internal RC clock source (about 1.5MHz).

0 = A/D and EEPROM use system E clock (must be at least 1 MHz).

IRQE — Configure $\overline{\text{IRQ}}$ for falling edge sensitive operation (Refer to [Operating Modes and On-Chip Memory](#))

1 = Falling edge sensitive operation.

0 = Low level sensitive operation.

DLY — Enable oscillator start-up delay (Refer to [Operating Modes and On-Chip Memory](#))

1 = A delay of approximately 4000 E clock cycles is imposed as the MCU is started up from the STOP mode.

0 = The oscillator start-up delay coming out of STOP is bypassed.

CME — Clock monitor enable

1 = Clock monitor enabled.

0 = Clock monitor disabled.

This control bit can be read or written at any time and controls whether or not the internal clock monitor circuit triggers a reset sequence when the system clock is slow or absent. When it is clear, the clock monitor circuit is disabled, and when it is set, the clock monitor circuit is enabled. Reset clears the CME bit.

In order to use both STOP and clock monitor, the CME bit should be cleared before executing STOP, then set again after recovering from STOP.

FCME — Force clock monitor enable

1 = Clock monitor enabled; cannot be disabled until next reset.

0 = Clock monitor follows the state of the CME bit.

When FCME is set, slow or stopped clocks will cause a clock failure reset sequence. To utilize STOP mode, FCME should always be cleared.

CR[1:0] — COP timer rate select bits

The internal E clock is first divided by 2^{15} before it enters the COP watchdog system. These control bits determine a scaling factor for the watchdog timer. See [Table 10-1](#).

10.3.7 CONFIG — Configuration control register

	Address	bit 7	bit 6	bit 5	bit 4	bit 3	bit 2	bit 1	bit 0	State on reset
Configuration control (CONFIG)	\$003F	ROMAD	1	1	PAREN	NOSEC	NOCOP	PROMON	EEON	x11x xxxx

CONFIG controls the presence and location of EEPROM in the memory map and enables the COP watchdog system. A security feature that protects data in EEPROM and RAM is available on mask programmed MCUs. Refer to [RAM and EEPROM security](#).

CONFIG is made up of EEPROM cells and static working latches. The operation of the MCU is controlled directly by these latches and not the EEPROM byte. When programming the CONFIG register, the EEPROM byte is accessed. When the CONFIG register is read, the static latches are accessed.

These bits can be read at any time. The value read is the one latched into the register from the EEPROM cells during the last reset sequence. A new value programmed into this register is not readable until after a subsequent reset sequence. Unused bits always read as ones.

If SMOD = 1, CONFIG bits can be written at any time. If SMOD = 0, CONFIG bits can only be written using the EEPROM programming sequence, and are neither readable nor active until latched via the next reset.

ROMAD — ROM mapping control (refer to [Operating Modes and On-Chip Memory](#))

1 = ROM addressed from \$8000 to \$FFFF.

0 = ROM addressed from \$0000 to \$7FFF (expanded mode only).

Bits [6,5] — Not implemented; always read one

PAREN — Pull-up assignment register enable (refer to [Parallel Input/Output](#))

1 = PPAR register enabled; pull-ups can be enabled using PPAR.

0 = PPAR register disabled; all pull-ups disabled.

NOSEC — EEPROM security disabled (refer to [Operating Modes and On-Chip Memory](#))

1 = Disable security.

0 = Enable security.

NOCOP — COP system disable

1 = COP system disabled.

0 = COP system enabled (forces reset on timeout).

ROMON — ROM enable (refer to [Operating Modes and On-Chip Memory](#))

1 = ROM included in the memory map.

0 = ROM excluded from the memory map.

EEON — EEPROM enable (refer to [Operating Modes and On-Chip Memory](#))

1 = EEPROM included in the memory map.

0 = EEPROM excluded from the memory map.

10.4 Effects of reset

When a reset condition is recognized, the internal registers and control bits are forced to an initial state. Depending on the cause of the reset and the operating mode, the reset vector can be fetched from any of six possible locations, as shown in [Table 10-2](#).

Table 10-2. Reset cause, reset vector and operating mode

Cause of reset	Normal mode vector	Special test or bootstrap
POR or RESET pin	\$FFFE, \$FFFF	\$BFFE, \$BFFF
Clock monitor failure	\$FFFC, \$FFFD	\$BFFC, \$BFFD
COP watchdog timeout	\$FFFA, \$FFFB	\$BFFA, \$BFFB

These initial states then control on-chip peripheral systems to force them to known start-up states, as described in the following paragraphs.

10.4.1 Central processing unit

After reset, the CPU fetches the restart vector from the appropriate address during the first three cycles, and begins executing instructions. The stack pointer and other CPU registers are indeterminate immediately after reset; however, the X and I interrupt mask bits in the condition code register (CCR) are set to mask any interrupt requests. Also, the S-bit in the CCR is set to inhibit the STOP mode.

10.4.2 Memory map

After reset, the INIT register is initialized to \$00, putting the 1024 bytes of RAM at locations \$0080–\$047F, and the control registers at locations \$0000–\$007F. The INIT2 register puts EEPROM at locations \$0D80–\$0FFF.

10.4.3 Parallel I/O

When a reset occurs in expanded operating modes, port B, C, and F pins used for parallel I/O are dedicated to the expansion bus. If a reset occurs during a single chip operating mode, all ports are configured as general-purpose high-impedance inputs.

NOTE: *Do not confuse pin function with the electrical state of the pin at reset. All general-purpose I/O pins configured as inputs at reset are in a high-impedance state. Port data registers reflect the port's functional state at reset. The pin function is mode dependent.*

10.4.4 Timer

During reset, the timer system is initialized to a count of \$0000. The prescaler bits are cleared, and all output compare registers are initialized to \$FFFF. All input capture registers are indeterminate after reset. The output compare 1 mask (OC1M) register is cleared so that successful OC1 compares do not affect any I/O pins. The other four output compares are configured so that they do not affect any I/O pins on successful compares. All input capture edge-detector circuits are configured for capture disabled operation. The timer overflow interrupt flag and all eight timer function interrupt flags are cleared. All nine timer interrupts are disabled because their mask bits have been cleared.

The I4/O5 bit in the PACTL register is cleared to configure the I4/O5 function as OC5; however, the OM5:OL5 control bits in the TCTL1 register are clear so OC5 does not control the PA3 pin.

10.4.5 Real-time interrupt (RTI)

The real-time interrupt flag (RTIF) is cleared and automatic hardware interrupts are masked. The rate control bits are cleared after reset and can be initialized by software before the real-time interrupt (RTI) system is used.

10.4.6 Pulse accumulator

The pulse accumulator system is disabled at reset so that the pulse accumulator input (PAI) pin defaults to being a general-purpose input pin.

10.4.7 Computer operating properly (COP)

The COP watchdog system is enabled if the NOCOP control bit in the CONFIG register is cleared, and disabled if NOCOP is set. The COP rate is set for the shortest duration timeout.

10.4.8 Serial communications interface (SCI)

The reset condition of the SCI system is independent of the operating mode. At reset, the SCI baud rate control register is initialized to \$0004. All transmit and receive interrupts are masked and both the transmitter and receiver are disabled so the port pins default to being general purpose I/O lines. The SCI frame format is initialized to an 8-bit character size. The send break and receiver wake-up functions are disabled. The TDRE and TC status bits in the SCI status register are both set, indicating that there is no transmit data in either the transmit data register or the transmit serial shift register. The RDRF, IDLE, OR, NF, FE, PF, and RAF receive-related status bits are cleared.

NOTE: *The foregoing paragraph also applies to SCI2 and SCI3. Their respective MI BUS functions are disabled, since MIEx is cleared on reset.*

10.4.9 Serial peripheral interface (SPI)

The SPI system is disabled by reset. The port pins associated with this function default to being general-purpose I/O lines.

10.4.10 Analog-to-digital converter

The A/D converter configuration is indeterminate after reset. The ADPU bit is cleared by reset, which disables the A/D system. The conversion complete flag is cleared by reset.

10.4.11 System

The EEPROM programming controls are disabled, so the memory system is configured for normal read operation. PSEL[4:0] are initialized with the binary value %00110, causing the external $\overline{\text{IRQ}}$ pin to have the highest I-bit interrupt priority. The $\overline{\text{IRQ}}$ pin is configured for level-sensitive operation (for wired-OR systems). The RBOOT, SMOD, and MDA bits in the HPRIO register reflect the status of the MODB and MODA inputs at the rising edge of reset. The DLY control bit is set to specify that an oscillator start-up delay is imposed upon recovery from STOP mode. The clock monitor system is disabled because CME and FCME are cleared.

10.5 Reset and interrupt priority

Resets and interrupts have a hardware priority that determines which reset or interrupt is serviced first when simultaneous requests occur. Any maskable interrupt can be given priority over other maskable interrupts.

The first six interrupt sources are not maskable by the I-bit in the CCR. The priority arrangement for these sources is fixed and is as follows:

1. POR or $\overline{\text{RESET}}$ pin
2. Clock monitor reset
3. COP watchdog reset
4. $\overline{\text{XIRQ}}$ interrupt
 - Illegal opcode interrupt — see [Illegal opcode trap](#) for details of handling
 - Software interrupt (SWI) — see [Software interrupt](#) for details of handling

The maskable interrupt sources have the following priority arrangement:

1. $\overline{\text{IRQ}}$
2. Real-time interrupt
3. Timer input capture 1
4. Timer input capture 2
5. Timer input capture 3
6. Timer output compare 1
7. Timer output compare 2
8. Timer output compare 3
9. Timer output compare 4
10. Timer input capture 4/output compare 5
11. SCI2/MI BUS system
12. SCI3/MI BUS system
13. Timer overflow
14. Pulse accumulator overflow
15. Pulse accumulator input edge
16. SPI transfer complete
17. SCI1 system

Any one of these maskable interrupts can be assigned the highest maskable interrupt priority by writing the appropriate value to the PSEL bits in the HPRIO register. Otherwise, the priority arrangement remains the same. An interrupt that is assigned highest priority is still subject to global masking by the I-bit in the CCR, or by any associated local bits. Interrupt vectors are not affected by priority assignment. To avoid race conditions, HPRIO can only be written while I-bit interrupts are inhibited.

10.5.1 HPRIO — Highest priority I-bit interrupt and misc. register

	Address	bit 7	bit 6	bit 5	bit 4	bit 3	bit 2	bit 1	bit 0	State on reset
Highest priority interrupt (HPRIO)	\$003C	RBOOT	SMOD	MDA	PSEL4	PSEL3	PSEL2	PSEL1	PSEL0	xxx0 0110

RBOOT, SMOD, and MDA bits depend on power-up initialization mode and can only be written in special modes when SMOD = 1. Refer to [Table 3-4](#).

RBOOT — Read bootstrap ROM (refer to [Operating Modes and On-Chip Memory](#))

1 = Bootloader ROM enabled, at \$BE40–\$BFFF.

0 = Bootloader ROM disabled and not in map.

SMOD — Special mode select (refer to [Operating Modes and On-Chip Memory](#))

1 = Special mode variation in effect.

0 = Normal mode variation in effect.

MDA — Mode select A (refer to [Operating Modes and On-Chip Memory](#))

1 = Normal expanded or special test mode in effect.

0 = Normal single chip or special bootstrap mode in effect.

PSEL[4:0] — Priority select bits

These bits select one interrupt source to be elevated above all other I-bit-related sources and can be written to only while the I-bit in the CCR is set (interrupts disabled). See [Table 10-3](#).

Table 10-3. Highest priority interrupt selection

PSELx					Interrupt source promoted
4	3	2	1	0	
0	0	0	X	X	reserved (default to IRQ)
0	0	1	0	0	reserved (default to IRQ)
0	0	1	0	1	reserved (default to IRQ)
0	0	1	1	0	IRQ (external pin)
0	0	1	1	1	Real-time interrupt
0	1	0	0	0	Timer input capture 1
0	1	0	0	1	Timer input capture 2
0	1	0	1	0	Timer input capture 3
0	1	0	1	1	Timer output compare 1
0	1	1	0	0	Timer output compare 2
0	1	1	0	1	Timer output compare 3
0	1	1	1	0	Timer output compare 4
0	1	1	1	1	Timer output compare 5/input capture 4
1	0	0	0	0	Timer overflow
1	0	0	0	1	Pulse accumulator overflow
1	0	0	1	0	Pulse accumulator input edge
1	0	0	1	1	SPI serial transfer complete
1	0	1	0	0	SCI1 serial system
1	0	1	0	1	SCI2/MI BUS serial system
1	0	1	1	0	SCI3/MI BUS serial system
1	0	1	1	1	reserved (default to IRQ)
1	1	X	X	X	reserved (default to IRQ)

Table 10-4. Interrupt and reset vector assignments

Vector address	Interrupt source	CCR mask bit	Local mask
FFC0, C1 – FFD0, D1	reserved	—	—
FFD2, D3	<ul style="list-style-type: none"> • SCI/MI BUS3 receive data register full • SCI/MI BUS3 receiver overrun • SCI3 transmit data register empty • SCI3 transmit complete • SCI3 idle line detect 	I	RIE3 RIE3 TIE3 TCIE3 ILIE3
FFD4, D5	<ul style="list-style-type: none"> • SCI/MI BUS2 receive data register full • SCI/MI BUS2 receiver overrun • SCI2 transmit data register empty • SCI2 transmit complete • SCI2 idle line detect 	I	RIE2 RIE2 TIE2 TCIE2 ILIE2
FFD6, D7	<ul style="list-style-type: none"> • SCI1 receive data register full • SCI1 receiver overrun • SCI1 transmit data register empty • SCI1 transmit complete • SCI1 idle line detect 	I	RIE RIE TIE TCIE ILIE
FFD8, D9	SPI serial transfer complete	I	SPIE
FFDA, DB	Pulse accumulator input edge	I	PAII
FFDC, DD	Pulse accumulator overflow	I	PAOVI
FFDE, DF	Timer overflow	I	TOI
FFE0, E1	Timer input capture 4/output compare 5	I	I4/O5I
FFE2, E3	Timer output compare 4	I	OC4I
FFE4, E5	Timer output compare 3	I	OC3I
FFE6, E7	Timer output compare 2	I	OC2I
FFE8, E9	Timer output compare 1	I	OC1I
FFEA, EB	Timer input capture 3	I	IC3I
FFEC, ED	Timer input capture 2	I	IC2I
FFEE, EF	Timer input capture 1	I	IC1I
FFF0, F1	Real-time interrupt	I	RTII
FFF2, F3	IRQ pin	I	None
FFF4, F5	XIRQ pin	X	None
FFF6, F7	Software interrupt	None	None
FFF8, F9	Illegal opcode trap	None	None
FFFA, FB	COP failure	None	NOCOP
FFFC, FD	Clock monitor fail	None	CME
FFFE, FF	RESET	None	None

10.6 Interrupts

Excluding reset type interrupts, the MC68HC11P2 has 20 interrupt vectors that support 32 interrupt sources. The 17 maskable interrupts are generated by on-chip peripheral systems. These interrupts are recognized when the global interrupt mask bit (I) in the condition code register (CCR) is clear. The three nonmaskable interrupt sources are illegal opcode trap, software interrupt, and \overline{XIRQ} pin. Refer to [Table 10-4](#), which shows the interrupt sources and vector assignments for each source.

For some interrupt sources, such as the SCI interrupts, the flags are automatically cleared during the normal course of responding to the interrupt requests. For example, the RDRF flag in the SCI system is cleared by the automatic clearing mechanism consisting of a read of the SCI status register while RDRF is set, followed by a read of the SCI data register. The normal response to an RDRF interrupt request would be to read the SCI status register to check for receive errors, then to read the received data from the SCI data register. These two steps satisfy the automatic clearing mechanism without requiring any special instructions.

10.6.1 Interrupt recognition and register stacking

An interrupt can be recognized at any time after it is enabled by its local mask, if any, and by the global mask bit in the CCR. Once an interrupt source is recognized, the CPU responds at the completion of the instruction being executed. Interrupt latency varies according to the number of cycles required to complete the current instruction. When the CPU begins to service an interrupt, the contents of the CPU registers are pushed onto the stack in the order shown in [Table 10-5](#). After the CCR value is stacked, the I-bit and the X-bit, if \overline{XIRQ} is pending, are set to inhibit further interrupts. The interrupt vector for the highest priority pending source is fetched, and execution continues at the address specified by the vector. At the end of the interrupt service routine, the return from interrupt instruction is executed and the saved registers are pulled from the stack in reverse order so that normal program execution

can resume. Refer to [CPU Core and Instruction Set](#) for further information.

Table 10-5. Stacking order on entry to interrupts

Memory location	CPU registers
SP	PCL
SP – 1	PCH
SP – 2	IYL
SP – 3	IYH
SP – 4	IXL
SP – 5	IXH
SP – 6	ACCA
SP – 7	ACCB
SP – 8	CCR

10.6.2 Nonmaskable interrupt request ($\overline{\text{XIRQ}}$)

Nonmaskable interrupts are useful because they can always interrupt CPU operations. The most common use for such an interrupt is for serious system problems, such as program runaway or power failure. The $\overline{\text{XIRQ}}$ input is an updated version of the $\overline{\text{NMI}}$ (nonmaskable interrupt) input of earlier MCUs.

Upon reset, both the X-bit and I-bit of the CCR are set to inhibit all maskable interrupts and $\overline{\text{XIRQ}}$. After minimum system initialization, software can clear the X-bit by a TAP instruction, enabling $\overline{\text{XIRQ}}$ interrupts. Thereafter, software cannot set the X-bit. Thus, an $\overline{\text{XIRQ}}$ interrupt is a nonmaskable interrupt. Because the operation of the I-bit-related interrupt structure has no effect on the X-bit, the internal $\overline{\text{XIRQ}}$ pin remains unmasked. In the interrupt priority logic, the $\overline{\text{XIRQ}}$ interrupt has a higher priority than any source that is maskable by the I-bit. All I-bit-related interrupts operate normally with their own priority relationship.

When an I-bit-related interrupt occurs, the I-bit is automatically set by hardware after stacking the CCR byte. The X-bit is not affected. When an X-bit-related interrupt occurs, both the X and I bits are automatically set by hardware after stacking the CCR. A return from interrupt instruction restores the X and I bits to their pre-interrupt request state.

10.6.3 Illegal opcode trap

Because not all possible opcodes or opcode sequences are defined, the MCU includes an illegal opcode detection circuit, which generates an interrupt request. When an illegal opcode is detected and the interrupt is recognized, the current value of the program counter is stacked. After interrupt service is complete, the user should reinitialize the stack pointer to ensure that repeated execution of illegal opcodes does not cause stack underflow. Left uninitialized, the illegal opcode vector can point to a memory location that contains an illegal opcode. This condition causes an infinite loop that causes stack underflow. The stack grows until the system crashes.

The illegal opcode trap mechanism works for all unimplemented opcodes on all four opcode map pages. The address stacked as the return address for the illegal opcode interrupt is the address of the first byte of the illegal opcode. Otherwise, it would be almost impossible to determine whether the illegal opcode had been one or two bytes. The stacked return address can be used as a pointer to the illegal opcode, so that the illegal opcode service routine can evaluate the offending opcode.

10.6.4 Software interrupt

SWI is an instruction, and thus cannot be interrupted until complete. SWI is not inhibited by the global mask bits in the CCR. Because execution of SWI sets the I mask bit, once an SWI interrupt begins, other interrupts are inhibited until SWI is complete, or until user software clears the I bit in the CCR.

10.6.5 Maskable interrupts

The maskable interrupt structure of the MCU can be extended to include additional external interrupt sources through the $\overline{\text{IRQ}}$ pin. The default configuration of this pin is a low-level sensitive wired-OR network. When an event triggers an interrupt, a software accessible interrupt flag is set. When enabled, this flag causes a constant request for interrupt service. After the flag is cleared, the service request is released.

10.6.6 Reset and interrupt processing

The following flow diagrams illustrate the reset and interrupt process. **Figure 10-1** and **Figure 10-2** illustrate how the CPU begins from a reset and how interrupt detection relates to normal opcode fetches. **Figure 10-3** to **Figure 10-4** provide an expanded version of a block in **Figure 10-1** and illustrate interrupt priorities. **Figure 10-6** shows the resolution of interrupt sources within the SCI subsystem.

10.7 Low power operation

Both STOP and WAIT suspend CPU operation until a reset or interrupt occurs. The WAIT condition suspends processing and reduces power consumption to an intermediate level. The STOP condition turns off all on-chip clocks and reduces power consumption to an absolute minimum while retaining the contents of all bytes of the RAM.

10.7.1 WAIT

The WAI opcode places the MCU in the WAIT condition, during which the CPU registers are stacked and CPU processing is suspended until a qualified interrupt is detected. The interrupt can be an external \overline{IRQ} , an \overline{XIRQ} , or any of the internally generated interrupts, such as the timer or serial interrupts. The on-chip crystal oscillator remains active throughout the WAIT stand-by period.

The reduction of power in the WAIT condition depends on how many internal clock signals driving on-chip peripheral functions can be shut down. The CPU is always shut down during WAIT. While in the wait state, the address/data bus repeatedly runs read cycles to the address where the CCR contents were stacked. The MCU leaves the wait state when it senses any interrupt that has not been masked.

The free-running timer system is shut down only if the I-bit is set to one and the COP system is disabled by NOCOP being set to one. Several other systems can also be in a reduced power consumption state depending on the state of software-controlled configuration control bits. Power consumption by the analog-to-digital (A/D) converter is not

affected significantly by the WAIT condition. However, the A/D converter current can be eliminated by writing the ADPU bit to zero. The SPI system is enabled or disabled by the SPE control bit. The SCI transmitter is enabled or disabled by the TE bit, and the SCI receiver is enabled or disabled by the RE bit. Therefore the power consumption in WAIT is dependent on the particular application.

10.7.2 STOP

Executing the STOP instruction while the S-bit in the CCR is equal to zero places the MCU in the STOP condition. If the S-bit is not zero, the STOP opcode is treated as a no-op (NOP). The STOP condition offers minimum power consumption because all clocks, including the crystal oscillator, are stopped while in this mode. To exit STOP and resume normal processing, a logic low level must be applied to one of the external interrupts ($\overline{\text{IRQ}}$ or $\overline{\text{XIRQ}}$) or to the $\overline{\text{RESET}}$ pin. A pending edge-triggered $\overline{\text{IRQ}}$ can also bring the CPU out of STOP.

Because all clocks are stopped in this mode, all internal peripheral functions also stop. The data in the internal RAM is retained as long as V_{DD} power is maintained. The CPU state and I/O pin levels are static and are unchanged by STOP. Therefore, when an interrupt comes to restart the system, the MCU resumes processing as if there were no interruption. If reset is used to restart the system a normal reset sequence results where all I/O pins and functions are also restored to their initial states.

To use the $\overline{\text{IRQ}}$ pin as a means of recovering from STOP, the I-bit in the CCR must be clear ($\overline{\text{IRQ}}$ not masked). The $\overline{\text{XIRQ}}$ pin can be used to wake up the MCU from STOP regardless of the state of the X-bit in the CCR, although the recovery sequence depends on the state of the X-bit. If X is set to zero ($\overline{\text{XIRQ}}$ not masked), the MCU starts up, beginning with the stacking sequence leading to normal service of the $\overline{\text{XIRQ}}$ request. If X is set to one ($\overline{\text{XIRQ}}$ masked or inhibited), then processing continues with the instruction that immediately follows the STOP instruction, and no $\overline{\text{XIRQ}}$ interrupt service is requested or pending.

Because the oscillator is stopped in STOP mode, a restart delay may be imposed to allow oscillator stabilization upon leaving STOP. If the

internal oscillator is being used, this delay is required; however, if a stable external oscillator is being used, the DLY control bit can be used to bypass this start-up delay. The DLY control bit is set by reset and can be optionally cleared during initialization. If the DLY equal to zero option is used to avoid start-up delay on recovery from STOP, then reset should not be used as the means of recovering from STOP, as this causes DLY to be set again by reset, imposing the restart delay. This same delay also applies to power-on-reset, regardless of the state of the DLY control bit, but does not apply to a reset while the clocks are running.

Resets and Interrupts

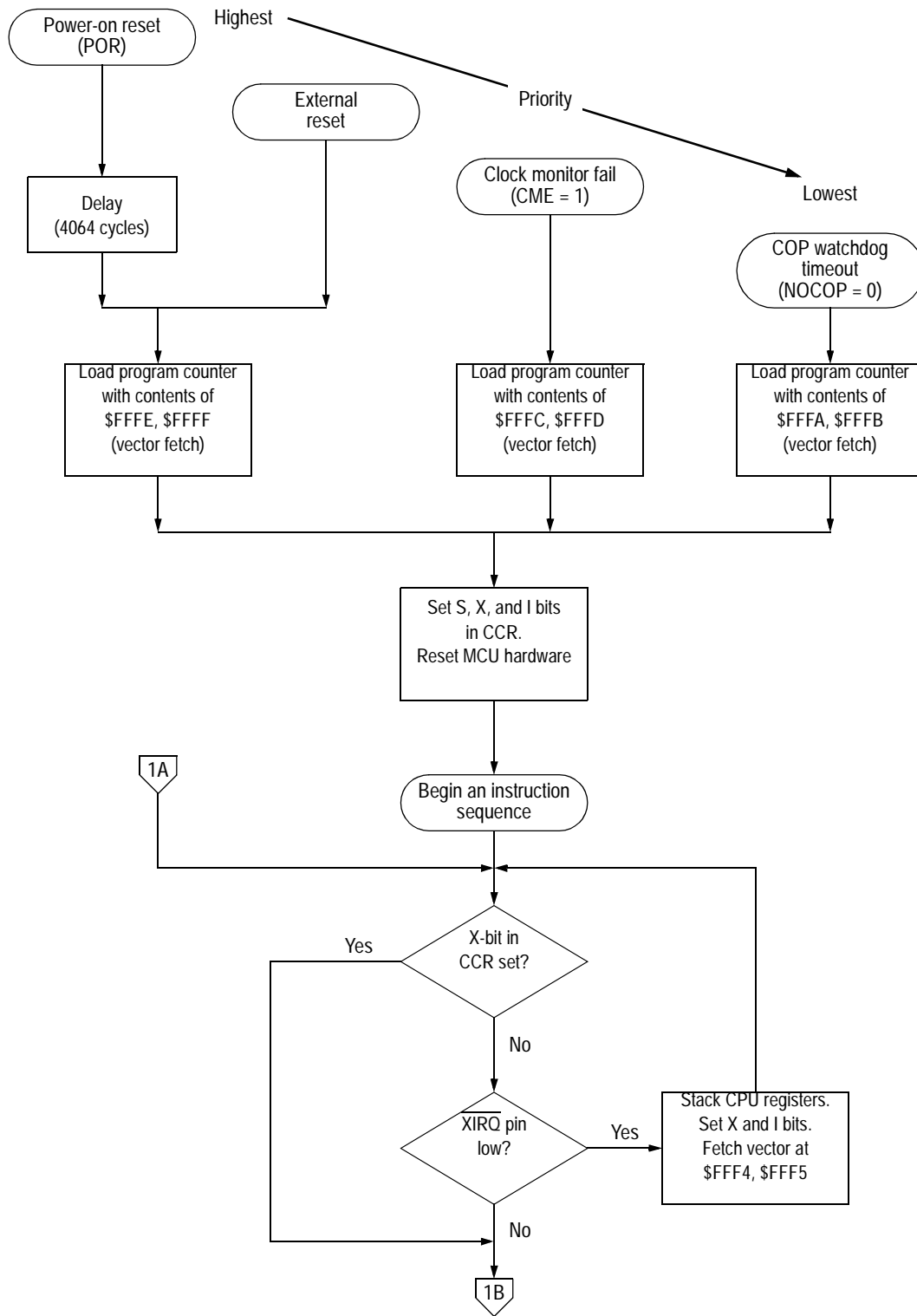


Figure 10-1. Processing flow out of reset (1 of 2)

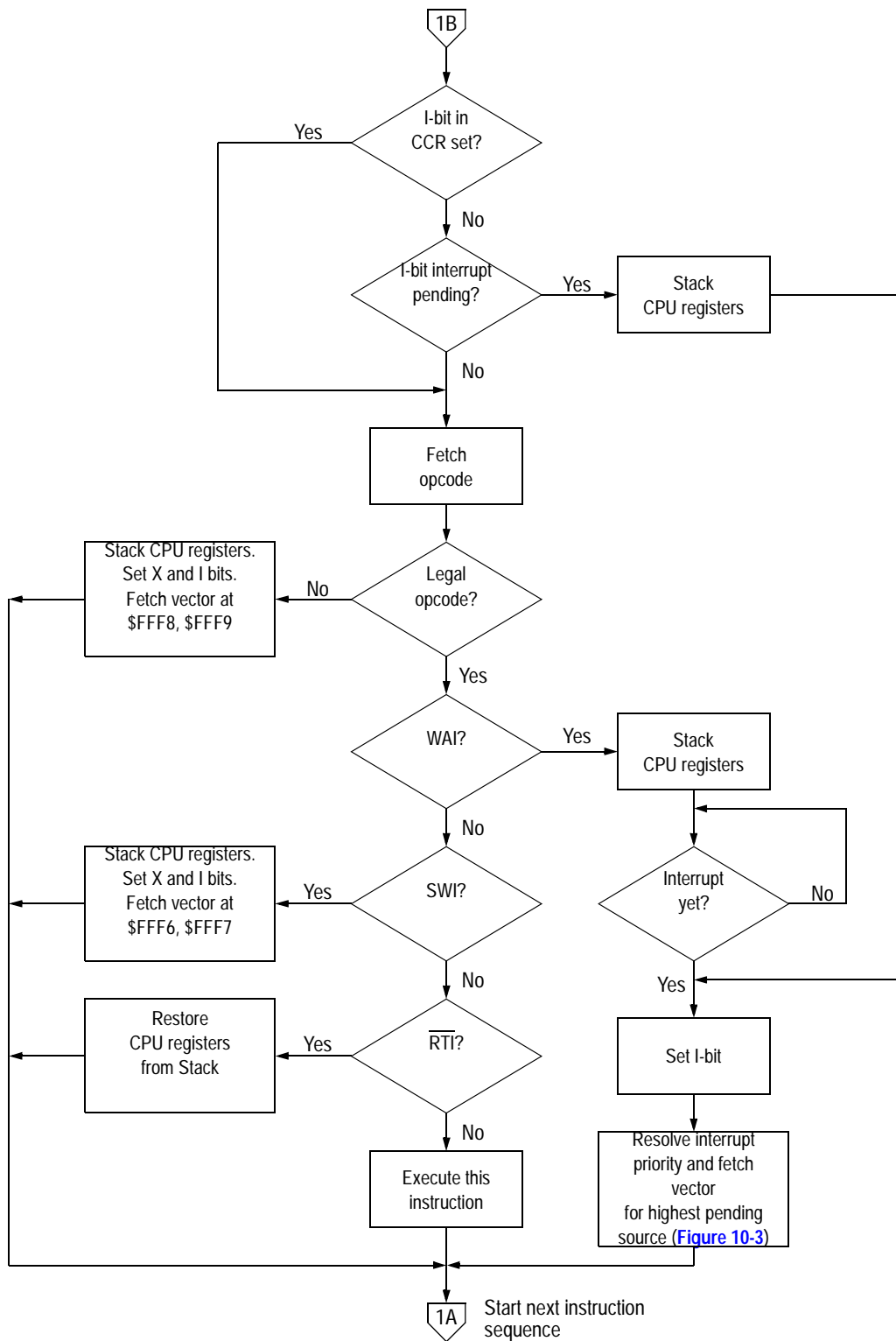


Figure 10-2. Processing flow out of reset (2 of 2)

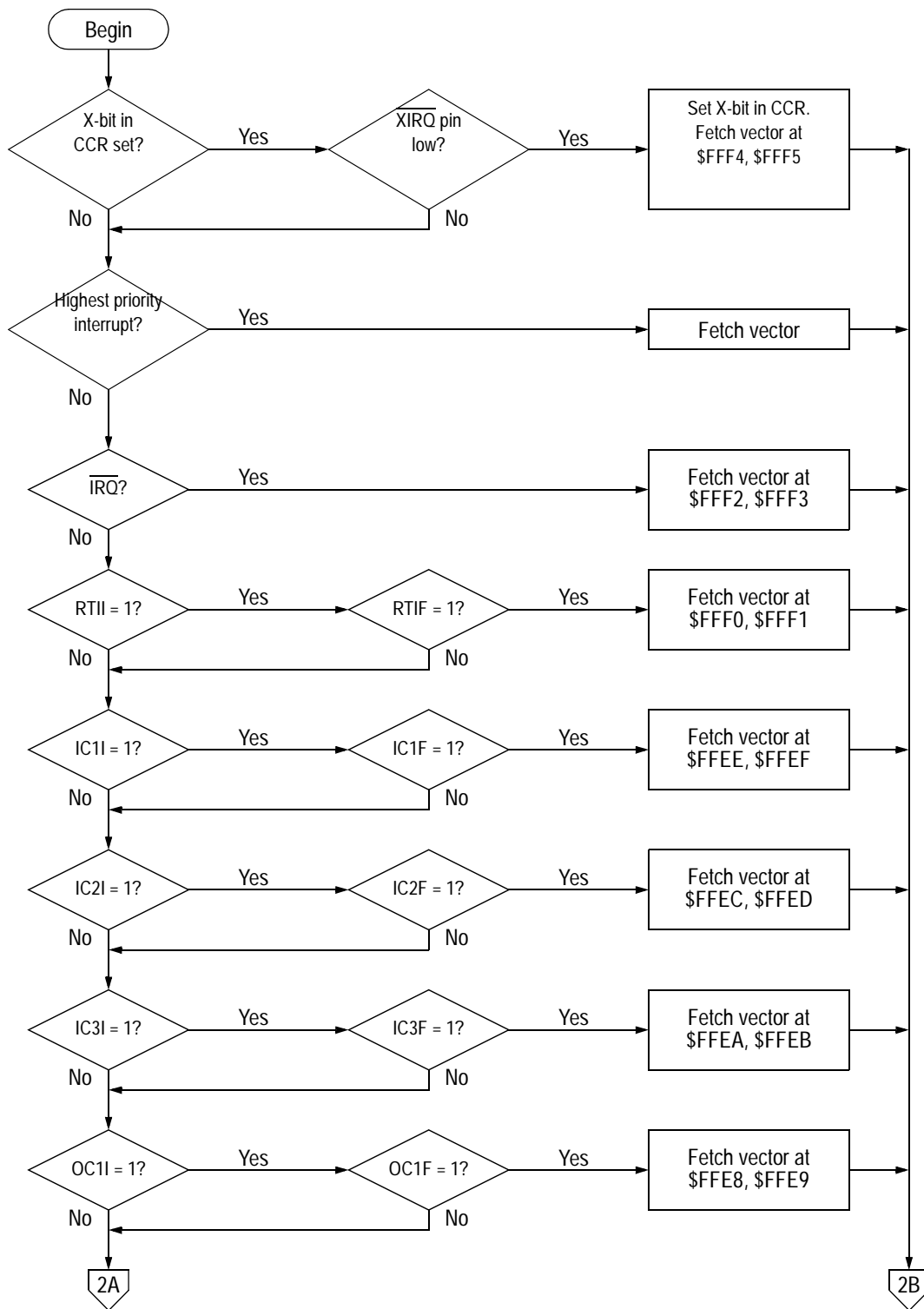
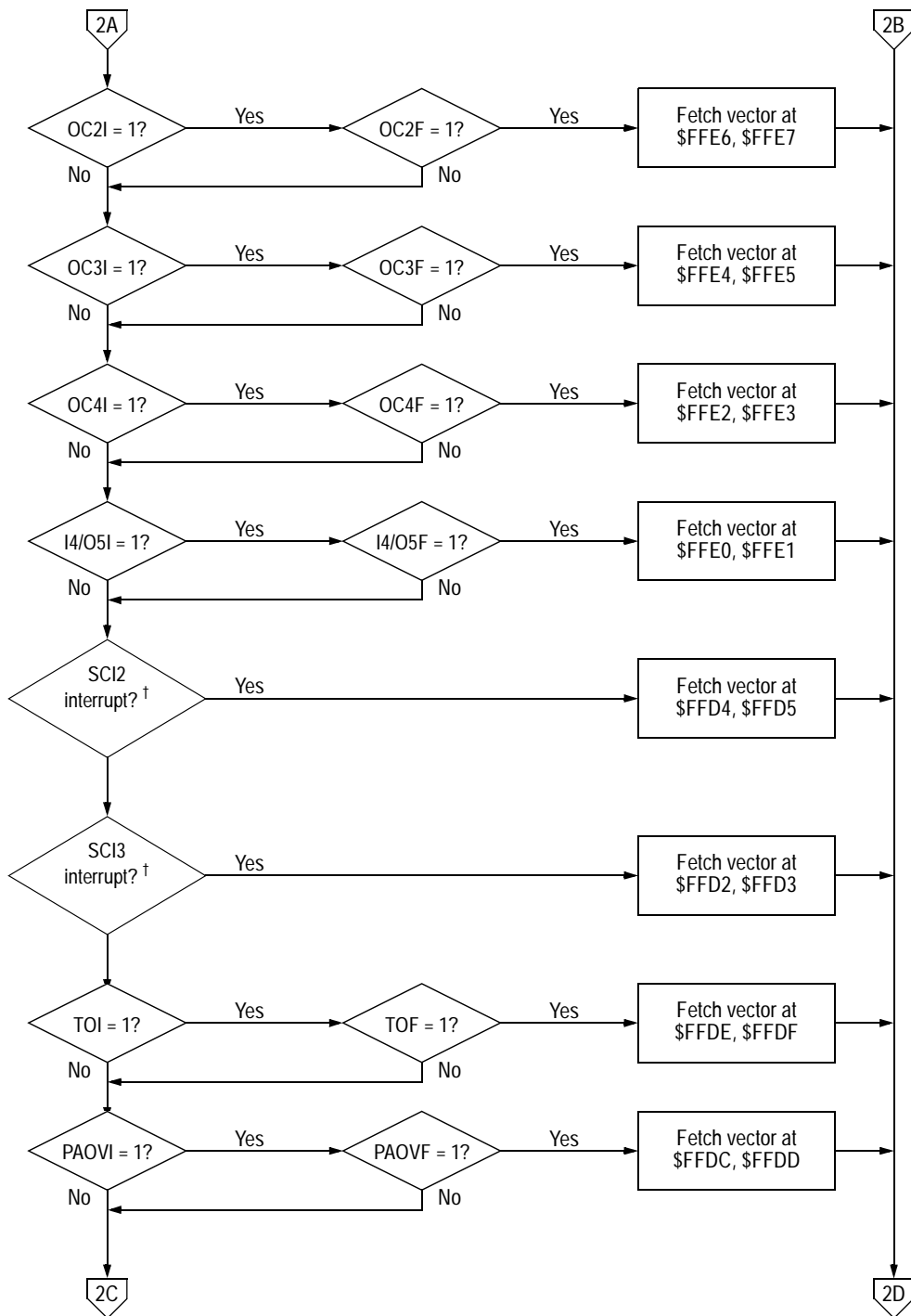


Figure 10-3. Interrupt priority resolution (1 of 3)



† Refer to [Figure 10-6](#) for further details on SCI interrupts.

Figure 10-4. Interrupt priority resolution (2 of 3)

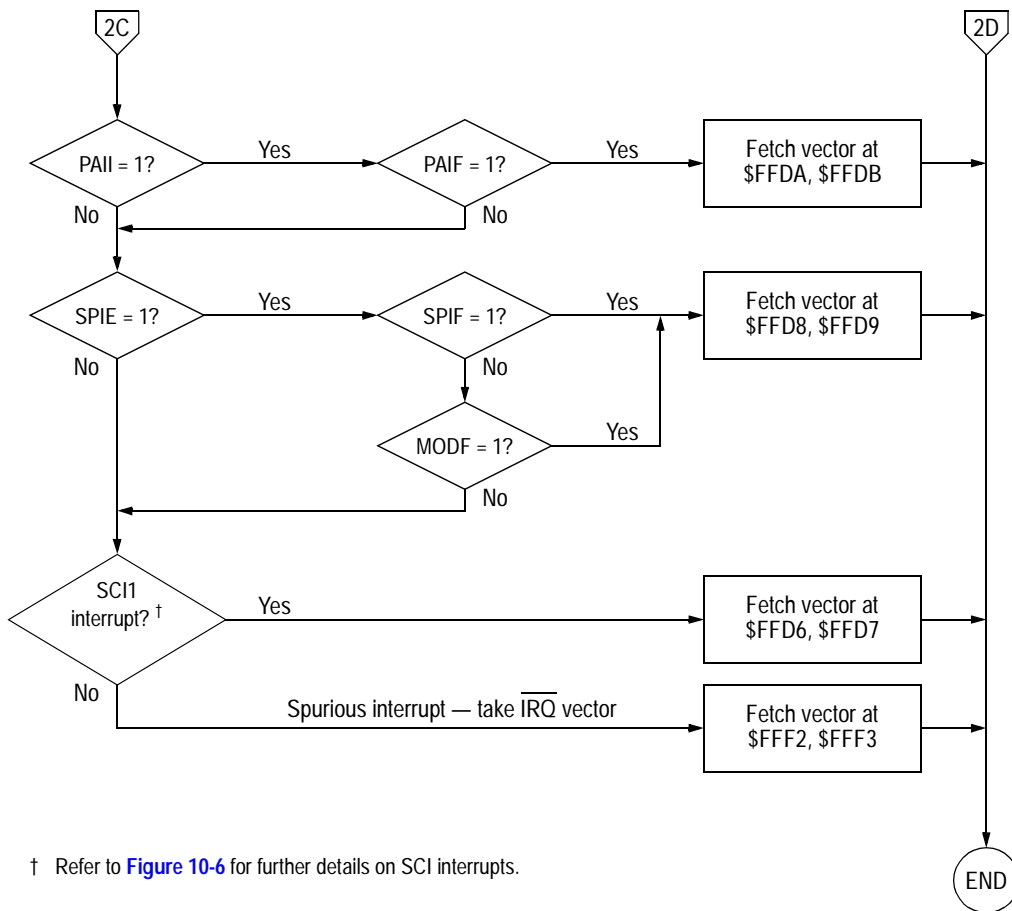


Figure 10-5. Interrupt priority resolution (3 of 3)

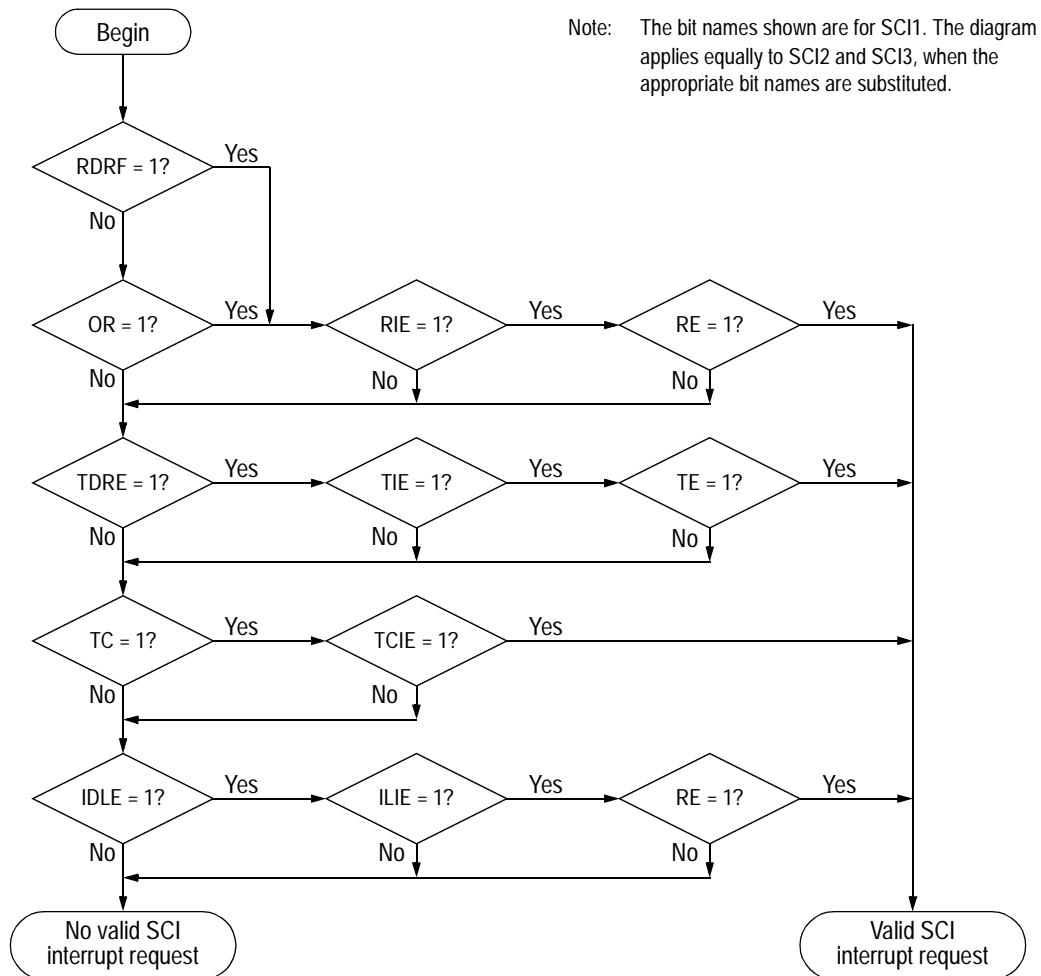


Figure 10-6. Interrupt source resolution within the SCI subsystem

Section 11. CPU Core and Instruction Set

11.1 Contents

11.2	Introduction	213
11.3	Registers	214
11.4	Data types	220
11.5	Opcodes and operands	220
11.6	Addressing modes	221
11.7	Instruction set.	223

11.2 Introduction

This section discusses the M68HC11 central processing unit (CPU) architecture, its addressing modes and the instruction set. For more detailed information on the instruction set, refer to the ***M68HC11 Reference Manual (M68HC11RM/AD)***.

The CPU is designed to treat all peripheral, I/O and memory locations identically, as addresses in the 64kbyte memory map. This is referred to as memory-mapped I/O. There are no special instructions for I/O that are separate from those used for memory. This architecture also allows accessing an operand from an external memory location with no execution-time penalty.

11.3 Registers

M68HC11 CPU registers are an integral part of the CPU and are not addressed as if they were memory locations. The seven registers are shown in **Figure 11-1** and are discussed in the following paragraphs.

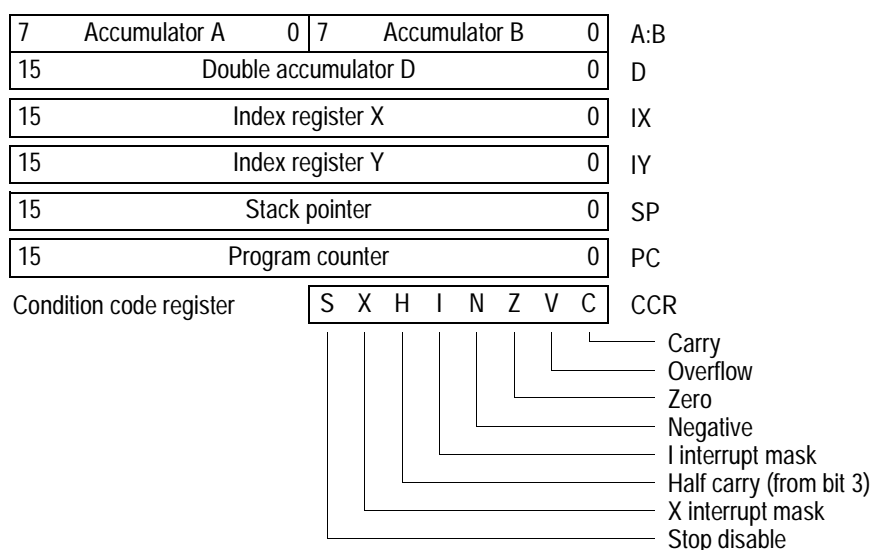


Figure 11-1. Programming model

11.3.1 Accumulators A, B and D

Accumulators A and B are general-purpose 8-bit registers that hold operands and results of arithmetic calculations or data manipulations. For some instructions, these two accumulators are treated as a single double-byte (16-bit) accumulator called accumulator D. Although most operations can use accumulators A or B interchangeably, the following exceptions apply:

- The ABX and ABY instructions add the contents of 8-bit accumulator B to the contents of 16-bit register X or Y, but there are no equivalent instructions that use A instead of B.
- The TAP and TPA instructions transfer data from accumulator A to the condition code register, or from the condition code register to accumulator A, however, there are no equivalent instructions that use B rather than A.

- The decimal adjust accumulator A (DAA) instruction is used after binary-coded decimal (BCD) arithmetic operations, but there is no equivalent BCD instruction to adjust accumulator B.
- The add, subtract, and compare instructions associated with both A and B (ABA, SBA, and CBA) only operate in one direction, making it important to plan ahead to ensure the correct operand is in the correct accumulator.

11.3.2 Index register X (IX)

The IX register provides a 16-bit indexing value that can be added to the 8-bit offset provided in an instruction to create an effective address. The IX register can also be used as a counter or as a temporary storage register.

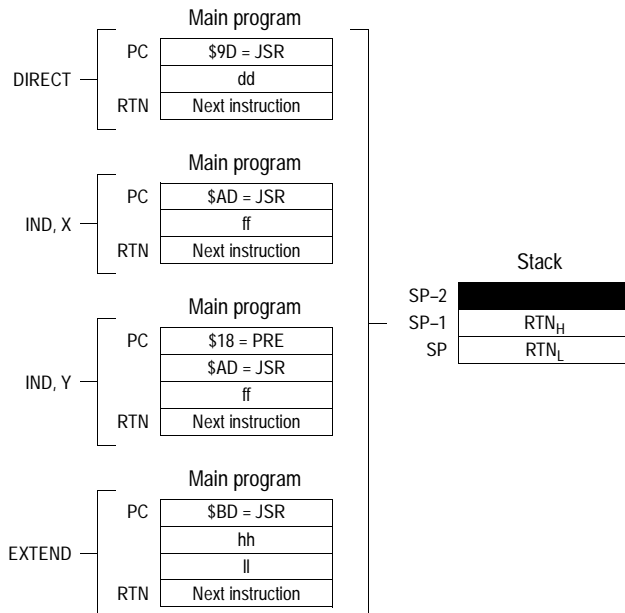
11.3.3 Index register Y (IY)

The 16-bit IY register performs an indexed mode function similar to that of the IX register. However, most instructions using the IY register require an extra byte of machine code and an extra cycle of execution time because of the way the opcode map is implemented. Refer to [Opcodes and operands](#) for further information.

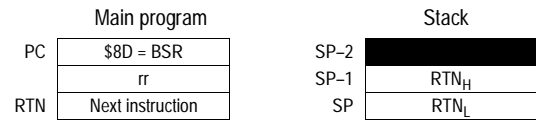
11.3.4 Stack pointer (SP)

The M68HC11 CPU has an automatic program stack. This stack can be located anywhere in the address space and can be any size up to the amount of memory available in the system. Normally the SP is initialized by one of the first instructions in an application program. The stack is configured as a data structure that grows downward from high memory to low memory. Each time a new byte is pushed onto the stack, the SP is decremented. Each time a byte is pulled from the stack, the SP is incremented. At any given time, the SP holds the 16-bit address of the next free location in the stack. [Figure 11-2](#) is a summary of SP operations.

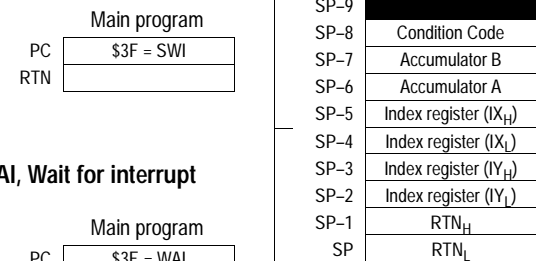
JSR, Jump to subroutine



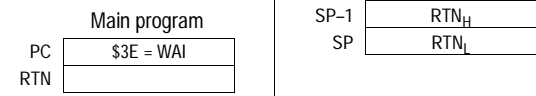
BSR, Branch to subroutine



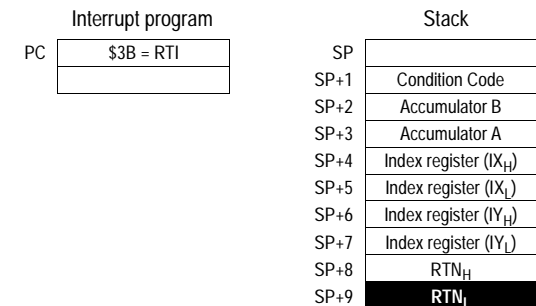
SWI, Software interrupt



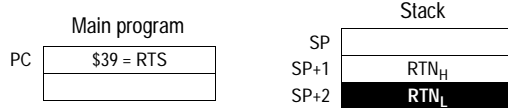
WAI, Wait for interrupt



RTI, Return from interrupt



RTS, Return from subroutine



Legend

- RTN Address of the next instruction in the main program, to be executed on return from subroutine
- RTN_H More significant byte of return address
- RTN_L Less significant byte of return address
- Shaded cells show stack pointer position after the operation is complete
- dd 8-bit direct address (\$0000-\$00FF); the high byte is assumed to be \$00
- ff 8-bit positive offset (\$00 to \$FF (0 to 256)); is added to the index register contents
- hh High order byte of 16-bit extended address
- ll Low order byte of 16-bit extended address
- rr Signed relative offset (\$80 to \$7F (-128 to +127)); offset is relative to the address following the offset byte

Figure 11-2. Stacking operations

When a subroutine is called by a jump to subroutine (JSR) or branch to subroutine (BSR) instruction, the address of the instruction after the JSR or BSR is automatically pushed onto the stack, less significant byte first. When the subroutine is finished, a return from subroutine (RTS) instruction is executed. The RTS pulls the previously stacked return address from the stack, and loads it into the program counter. Execution then continues from this recovered return address.

When an interrupt is recognized, the current instruction finishes normally, the return address (the current value in the program counter) is pushed onto the stack, all of the CPU registers are pushed onto the stack, and execution continues at the address specified by the vector for the interrupt. At the end of the interrupt service routine, an RTI instruction is executed. The RTI instruction causes the saved registers to be pulled off the stack in reverse order. Program execution resumes at the return address.

There are instructions that push and pull the A and B accumulators and the X and Y index registers. These instructions are often used to preserve program context. For example, pushing accumulator A onto the stack when entering a subroutine that uses accumulator A, and then pulling accumulator A off the stack just before leaving the subroutine, ensures that the contents of a register will be the same after returning from the subroutine as they were before starting the subroutine.

11.3.5 Program counter (PC)

The program counter, a 16-bit register, contains the address of the next instruction to be executed. After reset, the program counter is initialized from one of six possible vectors, depending on operating mode and the cause of reset.

Table 11-1. Reset vector comparison

	POR or RESET pin	Clock monitor	COP watchdog
Normal	\$FFFE, \$FFFF	\$FFFC, \$FFFD	\$FFFA, \$FFFB
Test or Boot	\$BFFE, \$BFFF	\$BFFE, \$BFFF	\$BFFE, \$BFFF

11.3.6 Condition code register (CCR)

This 8-bit register contains five condition code indicators (C, V, Z, N, and H), two interrupt masking bits, (IRQ and XIRQ) and a stop disable bit (S). In the M68HC11 CPU, condition codes are automatically updated by most instructions. For example, load accumulator A (LDAA) and store accumulator A (STAA) instructions automatically set or clear the N, Z, and V condition code flags. Pushes, pulls, add B to X (ABX), add B to Y (ABY), and transfer/exchange instructions do not affect the condition codes. Refer to [Table 11-2](#), which shows the condition codes that are affected by a particular instruction.

11.3.6.1 Carry/borrow (C)

The C-bit is set if the arithmetic logic unit (ALU) performs a carry or borrow during an arithmetic operation. The C-bit also acts as an error flag for multiply and divide operations. Shift and rotate instructions operate with and through the carry bit to facilitate multiple-word shift operations.

11.3.6.2 Overflow (V)

The overflow bit is set if an operation causes an arithmetic overflow. Otherwise, the V-bit is cleared.

11.3.6.3 Zero (Z)

The Z-bit is set if the result of an arithmetic, logic, or data manipulation operation is zero. Otherwise, the Z-bit is cleared. Compare instructions do an internal implied subtraction and the condition codes, including Z, reflect the results of that subtraction. A few operations (INX, DEX, INY, and DEY) affect the Z-bit and no other condition flags. For these operations, only '=' and '!' conditions can be determined.

11.3.6.4 Negative (N)

The N-bit is set if the result of an arithmetic, logic, or data manipulation operation is negative; otherwise, the N-bit is cleared. A result is said to be negative if its most significant bit (MSB) is set (MSB = 1). A quick way

to test whether the contents of a memory location have the MSB set is to load it into an accumulator and then check the status of the N-bit.

11.3.6.5 *Interrupt mask (I)*

The interrupt request (IRQ) mask (I-bit) is a global mask that disables all maskable interrupt sources. While the I-bit is set, interrupts can become pending, but the operation of the CPU continues uninterrupted until the I-bit is cleared. After any reset, the I-bit is set by default and can only be cleared by a software instruction. When an interrupt is recognized, the I-bit is set after the registers are stacked, but before the interrupt vector is fetched. After the interrupt has been serviced, a return from interrupt instruction is normally executed, restoring the registers to the values that were present before the interrupt occurred. Normally, the I-bit is zero after a return from interrupt is executed. Although the I-bit can be cleared within an interrupt service routine, 'nesting' interrupts in this way should only be done when there is a clear understanding of latency and of the arbitration mechanism. Refer to [Resets and Interrupts](#).

11.3.6.6 *Half carry (H)*

The H-bit is set when a carry occurs between bits 3 and 4 of the arithmetic logic unit during an ADD, ABA, or ADC instruction. Otherwise, the H-bit is cleared. Half carry is used during BCD operations.

11.3.6.7 *X interrupt mask (X)*

The XIRQ mask (X) bit disables interrupts from the $\overline{\text{XIRQ}}$ pin. After any reset, X is set by default and must be cleared by a software instruction. When an $\overline{\text{XIRQ}}$ interrupt is recognized, the X and I bits are set after the registers are stacked, but before the interrupt vector is fetched. After the interrupt has been serviced, an RTI instruction is normally executed, causing the registers to be restored to the values that were present before the interrupt occurred. The X interrupt mask bit is set only by hardware ($\overline{\text{RESET}}$ or $\overline{\text{XIRQ}}$ acknowledge). X is cleared only by program instruction (TAP, where the associated bit of A is 0; or RTI, where bit 6 of the value loaded into the CCR from the stack has been cleared). There is no hardware action for clearing X.

11.3.6.8 Stop disable (S)

Setting the STOP disable (S) bit prevents the STOP instruction from putting the M68HC11 into a low-power stop condition. If the STOP instruction is encountered by the CPU while the S-bit is set, it is treated as a no-operation (NOP) instruction, and processing continues to the next instruction. S is set by reset — i.e. STOP is disabled by default.

11.4 Data types

The M68HC11 CPU supports the following data types:

- Bit data
- 8-bit and 16-bit signed and unsigned integers
- 16-bit unsigned fractions
- 16-bit addresses

A byte is eight bits wide and can be accessed at any byte location. A word is composed of two consecutive bytes with the most significant byte at the lower value address. Because the M68HC11 is an 8-bit CPU, there are no special requirements for alignment of instructions or operands.

11.5 Opcodes and operands

The M68HC11 family of microcontrollers uses 8-bit opcodes. Each opcode identifies a particular instruction and associated addressing mode to the CPU. Several opcodes are required to provide each instruction with a range of addressing capabilities. Only 256 opcodes would be available if the range of values were restricted to the number able to be expressed in 8-bit binary numbers.

A four-page opcode map has been implemented to expand the number of instructions. An additional byte, called a prebyte, directs the processor from page 0 of the opcode map to one of the other three pages. As its name implies, the additional byte precedes the opcode.

A complete instruction consists of a prebyte, if any, an opcode, and zero, one, two, or three operands. The operands contain information the CPU needs for executing the instruction. Complete instructions can be from one to five bytes long.

11.6 Addressing modes

Six addressing modes (immediate, direct, extended, indexed, inherent and relative) are detailed in the following paragraphs and can be used to access memory. All modes except inherent mode use an effective address. The effective address is the memory address from which the argument is fetched or stored, or the address from which execution is to proceed. The effective address can be specified within an instruction, or it can be calculated.

11.6.1 Immediate (IMM)

In the immediate addressing mode an argument is contained in the byte(s) immediately following the opcode. The number of bytes following the opcode matches the size of the register or memory location being operated on. There are two, three and four (if prebyte is required) byte immediate instructions. The effective address is the address of the byte following the instruction.

11.6.2 Direct (DIR)

In the direct addressing mode, the low-order byte of the operand address is contained in a single byte following the opcode, and the high-order byte of the address is assumed to be \$00. Addresses \$00–\$FF are thus accessed directly, using two-byte instructions. Execution time is reduced by eliminating the additional memory access required for the high-order address byte. In most applications, this 256-byte area is reserved for frequently referenced data. In M68HC11 MCUs, the memory map can be configured for combinations of internal registers, RAM, or external memory to occupy these addresses.

11.6.3 Extended (EXT)

In the extended addressing mode, the effective address of the argument is contained in two bytes following the opcode byte. These are three-byte instructions (or four-byte instructions if a prebyte is required). One or two bytes are needed for the opcode and two for the effective address.

11.6.4 Indexed (IND, X; IND, Y)

In the indexed addressing mode, an 8-bit unsigned offset contained in the instruction is added to the value contained in an index register (IX or IY) — the sum is the effective address. This addressing mode allows referencing of any memory location in the 64kbyte address space. These are two- to five-byte instructions, depending on whether or not a prebyte is required.

11.6.5 Inherent (INH)

In the inherent addressing mode, all the information necessary to execute the instruction is contained in the opcode. Operations that use only the index registers or accumulators, as well as control instructions with no arguments, are included in this addressing mode. These are one or two-byte instructions.

11.6.6 Relative (REL)

The relative addressing mode is used only for branch instructions. If the branch condition is true, an 8-bit signed offset included in the instruction is added to the contents of the program counter to form the effective branch address. Otherwise, control proceeds to the next instruction. These are usually two-byte instructions.

11.7 Instruction set

Refer to [Table 11-2](#), which shows all the M68HC11 instructions in all possible addressing modes. For each instruction, the table shows the operand construction, the number of machine code bytes, and execution time in CPU E clock cycles.

Table 11-2. Instruction set (Sheet 1 of 8)

Mnemonic	Operation	Description	Addressing mode	Instruction			Condition codes							
				Opcode	Operand	Cycles	S	X	H	I	N	Z	V	C
ABA	Add accumulators	$A + B \Rightarrow A$	INH	1B	—	2	—	—	∅	—	∅	∅	∅	∅
ABX	Add B to X	$IX + (00:B) \Rightarrow IX$	INH	3A	—	3	—	—	—	—	—	—	—	—
ABY	Add B to Y	$IY + (00:B) \Rightarrow IY$	INH	18 3A	—	4	—	—	—	—	—	—	—	—
ADCA (opr)	Add with carry to A	$A + M + C \Rightarrow A$	A IMM	89	ii	2	—	—	∅	—	∅	∅	∅	∅
			A DIR	99	dd	3								
			A EXT	B9	hh ll	4								
			A IND, X	A9	ff	4								
			A IND, Y	18 A9	ff	5								
ADCB (opr)	Add with carry to B	$B + M + C \Rightarrow B$	B IMM	C9	ii	2	—	—	∅	—	∅	∅	∅	∅
			B DIR	D9	dd	3								
			B EXT	F9	hh ll	4								
			B IND, X	E9	ff	4								
			B IND, Y	18 E9	ff	5								
ADDA (opr)	Add memory to A	$A + M \Rightarrow A$	A IMM	8B	ii	2	—	—	∅	—	∅	∅	∅	∅
			A DIR	9B	dd	3								
			A EXT	BB	hh ll	4								
			A IND, X	AB	ff	4								
			A IND, Y	18 AB	ff	5								
ADDB (opr)	Add memory to B	$B + M \Rightarrow B$	B IMM	CB	ii	2	—	—	∅	—	∅	∅	∅	∅
			B DIR	DB	dd	3								
			B EXT	FB	hh ll	4								
			B IND, X	EB	ff	4								
			B IND, Y	18 EB	ff	5								
ADDD (opr)	Add 16-bit to D	$D + (M:M+1) \Rightarrow D$	IMM	C3	jj kk	4	—	—	∅	—	∅	∅	∅	∅
			DIR	D3	dd	5								
			EXT	F3	hh ll	6								
			IND, X	E3	ff	6								
			IND, Y	18 E3	ff	7								
ANDA (opr)	AND A with memory	$A \cdot M \Rightarrow A$	A IMM	84	ii	2	—	—	∅	∅	∅	0	—	—
			A DIR	94	dd	3								
			A EXT	B4	hh ll	4								
			A IND, X	A4	ff	4								
			A IND, Y	18 A4	ff	5								

Table 11-2. Instruction set (Sheet 2 of 8)

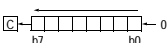
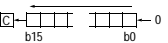
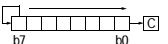
Mnemonic	Operation	Description	Addressing mode	Instruction			Condition codes							
				Opcode	Operand	Cycles	S	X	H	I	N	Z	V	C
ANDB (opr)	AND B with memory	$B \cdot M \Rightarrow B$	B IMM B DIR B EXT B IND, X B IND, Y	C4 D4 F4 E4 18 E4	ii dd hh ll ff ff	2 3 4 4 5	--	--	--	--	∅	∅	0	--
ASL (opr)	Arithmetic shift left		EXT IND, X IND, Y	78 68 18 68	hh ll ff ff	6 6 7	--	--	--	--	∅	∅	∅	∅
ASLA	Arithmetic shift left A		A INH	48	--	2	--	--	--	--	∅	∅	∅	∅
ASLB	Arithmetic shift left B		B INH	58	--	2	--	--	--	--	∅	∅	∅	∅
ASLD	Arithmetic shift left D		INH	05	--	3	--	--	--	--	∅	∅	∅	∅
ASR	Arithmetic shift right		EXT IND, X IND, Y	77 67 18 67	hh ll ff ff	6 6 7	--	--	--	--	∅	∅	∅	∅
ASRA	Arithmetic shift right A		A INH	47	--	2	--	--	--	--	∅	∅	∅	∅
ASRB	Arithmetic shift right B		B INH	57	--	2	--	--	--	--	∅	∅	∅	∅
BCC (rel)	Branch if carry clear	$C = 0 ?$	REL	24	rr	3	--	--	--	--	--	--	--	--
BCLR (opr) (msk)	Clear bit(s)	$M \cdot (mm) \Rightarrow M$	DIR IND, X IND, Y	15 1D 18 1D	dd mm ff mm ff mm	6 7 8	--	--	--	--	∅	∅	0	--
BCS (rel)	Branch if carry set	$C = 1 ?$	REL	25	rr	3	--	--	--	--	--	--	--	--
BEQ (rel)	Branch if equal to zero	$Z = 1 ?$	REL	27	rr	3	--	--	--	--	--	--	--	--
BGE (rel)	Branch if \bar{S} zero	$N \oplus V = 0 ?$	REL	2C	rr	3	--	--	--	--	--	--	--	--
BGT (rel)	Branch if > zero	$Z + (N \oplus V) = 0 ?$	REL	2E	rr	3	--	--	--	--	--	--	--	--
BHI (rel)	Branch if higher	$C + Z = 0 ?$	REL	22	rr	3	--	--	--	--	--	--	--	--
BHS (rel)	Branch if higher or same	$C = 0 ?$	REL	24	rr	3	--	--	--	--	--	--	--	--
BITA (opr)	Bit(s) test A with memory	$A \cdot M$	A IMM A DIR A EXT A IND, X A IND, Y	85 95 B5 A5 18 A5	ii dd hh ll ff ff	2 3 4 4 5	--	--	--	--	∅	∅	0	--
BITB (opr)	Bit(s) test B with memory	$B \cdot M$	B IMM B DIR B EXT B IND, X B IND, Y	C5 D5 F5 E5 18 E5	ii dd hh ll ff ff	2 3 4 4 5	--	--	--	--	∅	∅	0	--
BLE (rel)	Branch if $\bar{\delta}$ zero	$Z + (N \oplus V) = 1 ?$	REL	2F	rr	3	--	--	--	--	--	--	--	--
BLO (rel)	Branch if lower	$C = 1 ?$	REL	25	rr	3	--	--	--	--	--	--	--	--
BLS (rel)	Branch if lower or same	$C + Z = 1 ?$	REL	23	rr	3	--	--	--	--	--	--	--	--
BLT (rel)	Branch if < zero	$N \oplus V = 1 ?$	REL	2D	rr	3	--	--	--	--	--	--	--	--
BMI (rel)	Branch if minus	$N = 1 ?$	REL	2B	rr	3	--	--	--	--	--	--	--	--
BNE (rel)	Branch if \bar{z} zero	$Z = 0 ?$	REL	26	rr	3	--	--	--	--	--	--	--	--
BPL(rel)	Branch if plus	$N = 0 ?$	REL	2A	rr	3	--	--	--	--	--	--	--	--
BRA (rel)	Branch always	$1 = 1 ?$	REL	20	rr	3	--	--	--	--	--	--	--	--

Table 11-2. Instruction set (Sheet 3 of 8)

Mnemonic	Operation	Description	Addressing mode	Instruction			Condition codes								
				Opcode	Operand	Cycles	S	X	H	I	N	Z	V	C	
BRCLR(opr) (msk) (rel)	Branch if bit(s) clear	$M \cdot mm = 0 ?$	DIR	13	dd mm rr	6	—	—	—	—	—	—	—	—	—
			IND, X	1F	ff mm rr	7	—	—	—	—	—	—	—	—	—
			IND, Y	18 1F	ff mm rr	8	—	—	—	—	—	—	—	—	—
BRN (rel)	Branch never	$1 = 0 ?$	REL	21	rr	3	—	—	—	—	—	—	—	—	
BRSET(opr) (msk) (rel)	Branch if bit(s) set	$\bar{M} \cdot mm = 0 ?$	DIR	12	dd mm rr	6	—	—	—	—	—	—	—	—	
			IND, X	1E	ff mm rr	7	—	—	—	—	—	—	—	—	
			IND, Y	18 1E	ff mm rr	8	—	—	—	—	—	—	—	—	—
BSET (opr) (msk)	Set bit(s)	$M + mm \Rightarrow M$	DIR	14	dd mm	6	—	—	—	—	—	—	—	$\emptyset \emptyset 0 -$	
			IND, X	1C	ff mm	7	—	—	—	—	—	—	—	—	
			IND, Y	18 1C	ff mm	8	—	—	—	—	—	—	—	—	—
BSR (rel)	Branch to subroutine	see Figure 11-2	REL	8D	rr	6	—	—	—	—	—	—	—	—	
BVC (rel)	Branch if overflow clear	$V = 0 ?$	REL	28	rr	3	—	—	—	—	—	—	—	—	
BVS (rel)	Branch if overflow set	$V = 1 ?$	REL	29	rr	3	—	—	—	—	—	—	—	—	
CBA	Compare A with B	$A - B$	INH	11	—	2	—	—	—	—	—	—	$\emptyset \emptyset \emptyset \emptyset$		
CLC	Clear carry bit	$0 \Rightarrow C$	INH	0C	—	2	—	—	—	—	—	—	—	0	
CLI	Clear interrupt mask	$0 \Rightarrow I$	INH	0E	—	2	—	—	—	0	—	—	—	—	
CLR (opr)	Clear memory byte	$0 \Rightarrow M$	DIR	7F	hh ll	6	—	—	—	—	—	—	—	0 1 0 0	
			IND, X	6F	ff	6	—	—	—	—	—	—	—	—	
			IND, Y	18 6F	ff	7	—	—	—	—	—	—	—	—	—
CLRA	Clear accumulator A	$0 \Rightarrow A$	A INH	4F	—	2	—	—	—	—	—	—	0 1 0 0		
CLRB	Clear accumulator B	$0 \Rightarrow B$	B INH	5F	—	2	—	—	—	—	—	—	0 1 0 0		
CLV	Clear overflow flag	$0 \Rightarrow V$	INH	0A	—	2	—	—	—	—	—	—	—	0 —	
CMPA (opr)	Compare A with memory	$A - M$	A IMM	81	ii	2	—	—	—	—	—	—	—	$\emptyset \emptyset \emptyset \emptyset$	
			A DIR	91	dd	3	—	—	—	—	—	—	—	—	
			A EXT	B1	hh ll	4	—	—	—	—	—	—	—	—	
			A IND, X	A1	ff	4	—	—	—	—	—	—	—	—	
			A IND, Y	18 A1	ff	5	—	—	—	—	—	—	—	—	—
CMPB (opr)	Compare B with memory	$B - M$	B IMM	C1	ii	2	—	—	—	—	—	—	—	$\emptyset \emptyset \emptyset \emptyset$	
			B DIR	D1	dd	3	—	—	—	—	—	—	—	—	
			B EXT	F1	hh ll	4	—	—	—	—	—	—	—	—	
			B IND, X	E1	ff	4	—	—	—	—	—	—	—	—	
			B IND, Y	18 E1	ff	5	—	—	—	—	—	—	—	—	—
COM (opr)	Ones complement memory byte	$\$FF - M \Rightarrow M$	EXT	73	hh ll	6	—	—	—	—	—	—	—	$\emptyset \emptyset 0 1$	
			IND, X	63	ff	6	—	—	—	—	—	—	—	—	
			IND, Y	18 63	ff	7	—	—	—	—	—	—	—	—	—
COMA	Ones complement A	$\$FF - A \Rightarrow A$	A INH	43	—	2	—	—	—	—	—	—	$\emptyset \emptyset 0 1$		
COMB	Ones complement B	$\$FF - B \Rightarrow B$	B INH	53	—	2	—	—	—	—	—	—	$\emptyset \emptyset 0 1$		
CPD (opr)	Compare D with memory (16-bit)	$D - (M:M+1)$	IMM	1A 83	jj kk	5	—	—	—	—	—	—	—	$\emptyset \emptyset \emptyset \emptyset$	
			DIR	1A 93	dd	6	—	—	—	—	—	—	—	—	
			EXT	1A B3	hh ll	7	—	—	—	—	—	—	—	—	
			IND, X	1A A3	ff	7	—	—	—	—	—	—	—	—	
			IND, Y	CDA3	ff	7	—	—	—	—	—	—	—	—	—

Table 11-2. Instruction set (Sheet 5 of 8)

Mnemonic	Operation	Description	Addressing mode	Instruction			Condition codes							
				Opcode	Operand	Cycles	S	X	H	I	N	Z	V	C
LDAA (opr)	Load accumulator A	$M \Rightarrow A$	A IMM	86	ii	2	--	--	--	--	∅	∅	0	--
			A DIR	96	dd	3								
			A EXT	B6	hh ll	4								
			A IND, X	A6	ff	4								
			A IND, Y	18 A6	ff	5								
LDAB (opr)	Load accumulator B	$M \Rightarrow B$	B IMM	C6	ii	2	--	--	--	--	∅	∅	0	--
			B DIR	D6	dd	3								
			B EXT	F6	hh ll	4								
			B IND, X	E6	ff	4								
			B IND, Y	18 E6	ff	5								
LDD (opr)	Load double accumulator D	$M \Rightarrow A; M+1 \Rightarrow B$	IMM	CC	jj kk	3	--	--	--	--	∅	∅	0	--
			DIR	DC	dd	4								
			EXT	FC	hh ll	5								
			IND, X	EC	ff	5								
			IND, Y	18 EC	ff	6								
LDS (opr)	Load stack pointer	$M:M+1 \Rightarrow SP$	IMM	8E	jj kk	3	--	--	--	--	∅	∅	0	--
			DIR	9E	dd	4								
			EXT	BE	hh ll	5								
			IND, X	AE	ff	5								
			IND, Y	18 AE	ff	6								
LDX (opr)	Load index register X	$M:M+1 \Rightarrow IX$	IMM	CE	jj kk	3	--	--	--	--	∅	∅	0	--
			DIR	DE	dd	4								
			EXT	FE	hh ll	5								
			IND, X	EE	ff	5								
			IND, Y	CDEE	ff	6								
LDY (opr)	Load index register Y	$M:M+1 \Rightarrow IY$	IMM	18 CE	jj kk	4	--	--	--	--	∅	∅	0	--
			DIR	18 DE	dd	5								
			EXT	18 FE	hh ll	6								
			IND, X	1A EE	ff	6								
			IND, Y	18 EE	ff	6								
LSL (opr)	Logical shift left		EXT	78	hh ll	6	--	--	--	--	∅	∅	∅	∅
			IND, X	68	ff	6								
			IND, Y	18 68	ff	7								
LSLA	Logical shift left A		A INH	48	--	--	--	--	--	∅	∅	∅	∅	
LSLB	Logical shift left B		B INH	58	--	--	--	--	--	∅	∅	∅	∅	
LSLD	Logical shift left D		INH	05	--	--	--	--	--	∅	∅	∅	∅	
LSR (opr)	Logical shift right		EXT	74	hh ll	6	--	--	--	--	0	∅	∅	∅
			IND, X	64	ff	6								
			IND, Y	18 64	ff	7								
LSRA	Logical shift right A		A INH	44	--	--	--	--	--	0	∅	∅	∅	
LSRB	Logical shift right B		B INH	54	--	--	--	--	--	0	∅	∅	∅	
LSRD	Logical shift right D		INH	04	--	--	--	--	--	0	∅	∅	∅	
MUL	Multiply, 8 x 8	$A * B \Rightarrow D$	INH	3D	--	--	--	--	--	--	--	--	∅	

Table 11-2. Instruction set (Sheet 6 of 8)

Mnemonic	Operation	Description	Addressing mode	Instruction			Condition codes							
				Opcode	Operand	Cycles	S	X	H	I	N	Z	V	C
NEG (opr)	Twos complement memory byte	0 - M ⇒ M	EXT	70	hh ll	6								
			IND, X	60	ff	6								
			IND, Y	18 60	ff	7								
NEGA	Twos complement A	0 - A ⇒ A	A INH	40	—	2								
NEGB	Twos complement B	0 - B ⇒ B	B INH	50	—	2								
NOP	No operation	no operation	INH	01	—	2								
ORAA	OR accumulator A (inclusive)	A + M ⇒ A	A IMM	8A	ii	2								
			A DIR	9A	dd	3								
			A EXT	BA	hh ll	4								
			A IND, X	AA	ff	4								
			A IND, Y	18 AA	ff	5								
ORAB	OR accumulator B (inclusive)	B + M ⇒ B	B IMM	CA	ii	2								
			B DIR	DA	dd	3								
			B EXT	FA	hh ll	4								
			B IND, X	EA	ff	4								
			B IND, Y	18 EA	ff	5								
PSHA	Push A onto stack	A ⇒ Stack; SP = SP-1	A INH	36	—	3								
PSHB	Push B onto stack	B ⇒ Stack; SP = SP-1	B INH	37	—	3								
PSHX	Push IX onto stack (low first)	IX ⇒ Stack; SP = SP-2	INH	3C	—	4								
PSHY	Push IY onto stack (low first)	IY ⇒ Stack; SP = SP-2	INH	18 3C	—	5								
PULA	Pull A from stack	SP = SP+1; Stack ⇒ A	A INH	32	—	4								
PULB	Pull B from stack	SP = SP+1; Stack ⇒ B	B INH	33	—	4								
PULX	Pull IX from stack (high first)	SP = SP+2; Stack ⇒ IX	INH	38	—	5								
PULY	Pull IY from stack (high first)	SP = SP+2; Stack ⇒ IY	INH	18 38	—	6								
ROL (opr)	Rotate left		EXT	79	hh ll	6								
			IND, X	69	ff	6								
			IND, Y	18 69	ff	7								
ROLA	Rotate left A		A INH	49	—	2								
ROLB	Rotate left B		B INH	59	—	2								
ROR (opr)	Rotate right		EXT	76	hh ll	6								
			IND, X	66	ff	6								
			IND, Y	18 66	ff	7								
RORA	Rotate right A		A INH	46	—	2								
RORB	Rotate right B		B INH	56	—	2								
RTI	Return from interrupt	see Figure 11-2	INH	3B	—	12		↓						
RTS	Return from subroutine	see Figure 11-2	INH	39	—	5								
SBA	Subtract B from A	A - B ⇒ A	INH	10	—	2								
SBCA (opr)	Subtract with carry from A	A - M - C ⇒ A	A IMM	82	ii	2								
			A DIR	92	dd	3								
			A EXT	B2	hh ll	4								
			A IND, X	A2	ff	4								
			A IND, Y	18 A2	ff	5								

Table 11-2. Instruction set (Sheet 7 of 8)

Mnemonic	Operation	Description	Addressing mode	Instruction			Condition codes										
				Opcode	Operand	Cycles	S	X	H	I	N	Z	V	C			
SBCB (opr)	Subtract with carry from B	$B - M - C \Rightarrow B$	B IMM	C2	ii	2	—	—	—	—	—	—	—	—	—	—	
			B DIR	D2	dd	3											
			B EXT	F2	hh ll	4											
			B IND, X	E2	ff	4											
			B IND, Y	18 E2	ff	5											
SEC	Set carry	$1 \Rightarrow C$	INH	0D	—	2	—	—	—	—	—	—	—	—	1		
SEI	Set interrupt mask	$1 \Rightarrow I$	INH	0F	—	2	—	—	—	1	—	—	—	—	—		
SEV	Set overflow flag	$1 \Rightarrow V$	INH	0B	—	2	—	—	—	—	—	—	—	1	—		
STAA (opr)	Store accumulator A	$A \Rightarrow M$	A DIR	97	dd	3	—	—	—	—	—	—	—	—	—	—	
			A EXT	B7	hh ll	4											
			A IND, X	A7	ff	4											
			A IND, Y	18 A7	ff	5											
STAB (opr)	Store accumulator B	$B \Rightarrow M$	B DIR	D7	dd	3	—	—	—	—	—	—	—	—	—	—	
			B EXT	F7	hh ll	4											
			B IND, X	E7	ff	4											
			B IND, Y	18 E7	ff	5											
STD (opr)	Store accumulator D	$A \Rightarrow M; B \Rightarrow M+1$	DIR	DD	dd	4	—	—	—	—	—	—	—	—	—	—	
			EXT	FD	hh ll	5											
			IND, X	ED	ff	5											
			IND, Y	18 ED	ff	6											
STOP	Stop internal clocks	—	INH	CF	—	2	—	—	—	—	—	—	—	—	—		
STS (opr)	Store stack pointer	$SP \Rightarrow M:M+1$	DIR	9F	dd	4	—	—	—	—	—	—	—	—	—	—	
			EXT	BF	hh ll	5											
			IND, X	AF	ff	5											
			IND, Y	18 AF	ff	6											
STX (opr)	Store index register X	$IX \Rightarrow M:M+1$	DIR	DF	dd	4	—	—	—	—	—	—	—	—	—	—	
			EXT	FF	hh ll	5											
			IND, X	EF	ff	5											
			IND, Y	CDEF	ff	6											
STY (opr)	Store index register Y	$IY \Rightarrow M:M+1$	DIR	18 DF	dd	5	—	—	—	—	—	—	—	—	—	—	
			EXT	18 FF	hh ll	6											
			IND, X	1A EF	ff	6											
			IND, Y	18 EF	ff	6											
SUBA (opr)	Subtract memory from A	$A - M \Rightarrow A$	A IMM	80	ii	2	—	—	—	—	—	—	—	—	—	—	
			A DIR	90	dd	3											
			A EXT	B0	hh ll	4											
			A IND, X	A0	ff	4											
			A IND, Y	18 A0	ff	5											
SUBB (opr)	Subtract memory from B	$B - M \Rightarrow B$	B IMM	C0	ii	2	—	—	—	—	—	—	—	—	—	—	
			B DIR	D0	dd	3											
			B EXT	F0	hh ll	4											
			B IND, X	E0	ff	4											
			B IND, Y	18 E0	ff	5											
SUBD (opr)	Subtract memory from D	$D - M:M+1 \Rightarrow D$	IMM	83	jj kk	4	—	—	—	—	—	—	—	—	—	—	
			DIR	93	dd	5											
			EXT	B3	hh ll	6											
			IND, X	A3	ff	6											
			IND, Y	18 A3	ff	7											

Table 11-2. Instruction set (Sheet 8 of 8)

Mnemonic	Operation	Description	Addressing mode	Instruction			Condition codes										
				Opcode	Operand	Cycles	S	X	H	I	N	Z	V	C			
SWI	Software interrupt	see Figure 11-2	INH	3F	—	14	—	—	—	1	—	—	—	—	—	—	
TAB	Transfer A to B	A ⇒ B	INH	16	—	2	—	—	—	—	∅	∅	0	—	—	—	
TAP	Transfer A to CC register	A ⇒ CCR	INH	06	—	2	∅	↓	∅	∅	∅	∅	∅	∅	∅	∅	
TBA	Transfer B to A	B ⇒ A	INH	17	—	2	—	—	—	—	∅	∅	0	—	—	—	
TEST	Test (only in test modes)	address bus increments	INH	00	—	†	—	—	—	—	—	—	—	—	—	—	
TPA	Transfer CC register to A	CCR ⇒ A	INH	07	—	2	—	—	—	—	—	—	—	—	—	—	
TST (opr)	Test for zero or minus	M – 0	EXT	7D	hh ll	6	—	—	—	—	∅	∅	0	0	—	—	
				6D	ff	6	—	—	—	—	—	—	—	—	—	—	—
				18 6D	ff	7	—	—	—	—	—	—	—	—	—	—	—
TSTA	Test A for zero or minus	A – 0	A INH	4D	—	2	—	—	—	—	∅	∅	0	0	—	—	
TSTB	Test B for zero or minus	B – 0	B INH	5D	—	2	—	—	—	—	∅	∅	0	0	—	—	
TSX	Transfer stack pointer to X	SP + 1 ⇒ IX	INH	30	—	3	—	—	—	—	—	—	—	—	—	—	
TSY	Transfer stack pointer to Y	SP + 1 ⇒ IY	INH	18 30	—	4	—	—	—	—	—	—	—	—	—	—	
TXS	Transfer X to stack pointer	IX – 1 ⇒ SP	INH	35	—	3	—	—	—	—	—	—	—	—	—	—	
TYS	Transfer Y to stack pointer	IY – 1 ⇒ SP	INH	18 35	—	4	—	—	—	—	—	—	—	—	—	—	
WAI	Wait for interrupt	stack registers & WAIT	INH	3E	—	‡	—	—	—	—	—	—	—	—	—	—	
XGDY	Exchange D with X	IX ⇒ D; D ⇒ IX	INH	8F	—	3	—	—	—	—	—	—	—	—	—	—	
XGDY	Exchange D with Y	IY ⇒ D; D ⇒ IY	INH	18 8F	—	4	—	—	—	—	—	—	—	—	—	—	

Operators

- ⇒ Is transferred to
 - Boolean AND
 - + Arithmetic addition, except where used as an inclusive-OR symbol in Boolean formulae
- ⊕ Exclusive-OR
- * Multiply
- : Concatenation
- Arithmetic subtraction, or negation symbol (Twos complement)

Operands

- dd 8-bit direct address (\$0000–\$00FF); the high byte is assumed to be zero
- ff 8-bit positive offset (\$00 to \$FF (0 to 256)); is added to the contents of the index register
- hh High order byte of 16-bit extended address
- ii One byte of immediate data
- jj High order byte of 16-bit immediate data
- kk Low order byte of 16-bit immediate data
- ll Low order byte of 16-bit extended address
- mm 8-bit mask (set bits to be affected)
- rr Signed relative offset (\$80 to \$7F (-128 to +127)); offset is relative to the address following the offset byte

Cycles

- † Infinite, or until reset occurs
- ‡ 12 cycles are used, beginning with the opcode fetch. A wait state is entered, which remains in effect for an integer number of MPU E clock cycles (n) until an interrupt is recognized. Finally, two additional cycles are used to fetch the appropriate interrupt vector. (14 + n, total).

Condition Codes

- Bit not changed
- 0 Bit always cleared
- 1 Bit always set
- ∅ Bit set or cleared, depending on the operation
- ↓ Bit can be cleared, but cannot become set
- ? Not defined

Section 12. Electrical Specifications

12.1 Contents

12.2	Introduction	231
12.3	Maximum ratings	232
12.4	Thermal characteristics and power considerations	233
12.5	Test methods	234
12.6	DC electrical characteristics	235
12.7	Control timing	237

12.2 Introduction

This section contains the electrical specifications and associated timing information for the standard supply voltage ($V_{DD} = 5V \pm 10\%$) MC68HC11P2 variants.

12.3 Maximum ratings

Rating	Symbol	Value	Unit
Supply voltage ⁽¹⁾	V_{DD}	- 0.3 to +7.0	V
Input voltage ⁽¹⁾	V_{in}	- 0.3 to +7.0	V
Operating temperature range – MC68HC11P2, MC68HC711P2	T_A	T_L to T_H –40 to +85	°C
Storage temperature range	T_{stg}	- 55 to +150	°C
Current drain per pin ⁽²⁾ – not VDD, VSS, VDD AD, VSS AD, VRH or VRL	I_D	25	mA

1. All voltages are with respect to V_{SS} .
2. Maximum current drain per pin is for one pin at a time, observing maximum power dissipation limits.

NOTE: *This device contains circuitry designed to protect against damage due to high electrostatic voltages or electric fields. However, it is recommended that normal precautions be taken to avoid the application of any voltages higher than those given in the maximum ratings table to this high impedance circuit. For maximum reliability all unused inputs should be tied to either V_{SS} or V_{DD} .*

12.4 Thermal characteristics and power considerations

The average chip junction temperature, T_J , in degrees Celsius can be obtained from the following equation:

$$T_J = T_A + (P_D \cdot \theta_{JA}) \quad [1]$$

where:

T_A = Ambient temperature ($^{\circ}\text{C}$)

θ_{JA} = Package thermal resistance, junction-to-ambient ($^{\circ}\text{C}/\text{W}$)

P_D = Total power dissipation = $P_{INT} + P_{I/O}$ (W)

P_{INT} = Internal chip power = $I_{DD} \cdot V_{DD}$ (W)

$P_{I/O}$ = Power dissipation on input and output pins (User determined)

An approximate relationship between P_D and T_J (if $P_{I/O}$ is neglected) is:

$$P_D = \frac{K}{T_J + 273} \quad [2]$$

Solving equations [1] and [2] for K gives:

$$K = P_D \cdot (T_A + 273) + \theta_{JA} \cdot P_D^2 \quad [3]$$

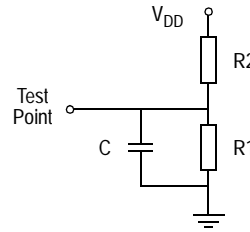
where K is a constant for a particular part. K can be determined by measuring P_D (at equilibrium) for a known T_A . Using this value of K, the values of P_D and T_J can be obtained for any value of T_A , by solving the above equations. The package thermal characteristics are shown below:

Characteristics	Symbol	Value	Unit
Thermal resistance	θ_{JA}		$^{\circ}\text{C}/\text{W}$
– 84-pin PLCC package		50	
– 84-pin CERQUAD package (EPROM)		50	
– 88-pin QFP package		TBD	

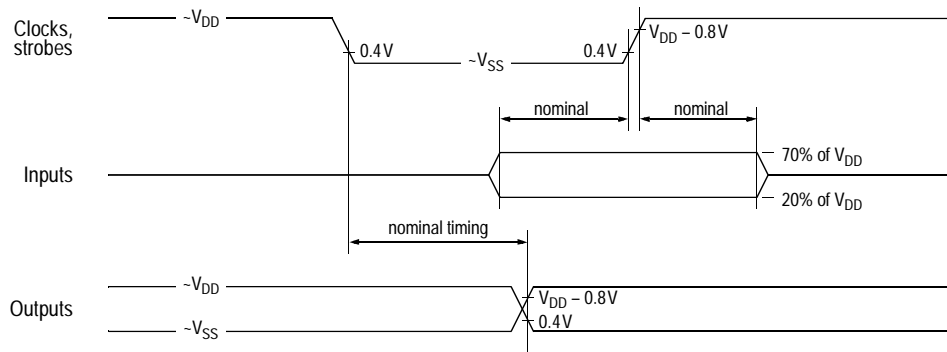
Electrical Specifications

12.5 Test methods

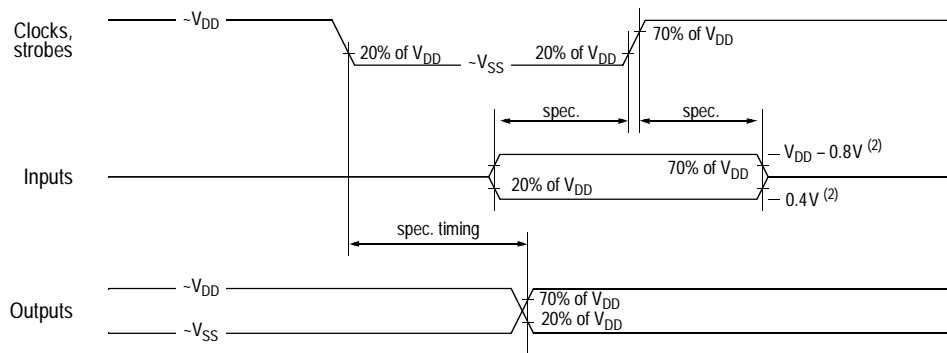
Pins	R1	R2	C
PA[7:0], PB[7:0], PC[7:0], PD5, PD0, E, R/W, AS	3.26k $\frac{3}{4}$	2.38k $\frac{3}{4}$	90pF
PD[4:1]	3.26k $\frac{3}{4}$	2.38k $\frac{3}{4}$	200pF



(a) Equivalent test loads



(b) DC testing



(c) AC testing

Notes:

- (1) Full test loads are applied during all DC electrical tests and AC timing measurements.
- (2) During AC timing measurements, inputs are driven to 0.4V and $V_{DD} - 0.8V$; timing measurements are taken at the 20% and 70% of V_{DD} points.

Figure 12-1. Test methods

12.6 DC electrical characteristics

($V_{DD} = 5.0 \text{ Vdc} \pm 10\%$, $V_{SS} = 0 \text{ Vdc}$, $T_A = T_L$ to T_H , unless otherwise noted)

Characteristic	Symbol	Min.	Max.	Unit
Output voltage ⁽¹⁾ ($I_{LOAD} = \pm 10 \mu\text{A}$): All outputs except XTAL All outputs except XTAL, $\overline{\text{RESET}}$ & MODA	V_{OL} V_{OH}	— $V_{DD} - 0.1$	0.1 —	V V
Output high voltage ⁽¹⁾ ($I_{LOAD} = -0.8 \text{ mA}$, $V_{DD} = 4.5 \text{ V}$): All outputs except XTAL, $\overline{\text{RESET}}$ & MODA	V_{OH}	$V_{DD} - 0.8$	—	V
Output low voltage ($I_{LOAD} = +1.6 \text{ mA}$): All outputs except XTAL	V_{OL}	—	0.4	V
Input high voltage: All inputs except $\overline{\text{RESET}}$ $\overline{\text{RESET}}$	V_{IH}	$0.7V_{DD}$ $0.8V_{DD}$	$V_{DD} + 0.3$ $V_{DD} + 0.3$	V
Input low voltage – all inputs	V_{IL}	$V_{SS} - 0.3$	$0.2V_{DD}$	V
I/O ports tristate leakage ($V_{IN} = V_{IH}$ or V_{IL}): Ports A, B, C, D, F, G, H, MODA/LIR, $\overline{\text{RESET}}$	I_{OZ}	—	± 10	μA
Input leakage ⁽²⁾ ($V_{IN} = V_{DD}$ or V_{SS}): IRQ, XIRQ (ROM parts) MODB/VSTBY, XIRQ (EPROM parts)	I_{IN}	— —	± 1 ± 10	μA
Input current with pull-up resistors ($V_{IN} = V_{IL}$): Ports B, F, G, H	I_{IPR}	100	500	μA
RAM stand-by voltage (power down)	V_{SB}	2.0	V_{DD}	V
RAM stand-by current (power down)	I_{SB}	—	10	μA
Input capacitance: Port E, $\overline{\text{IRQ}}$, $\overline{\text{XIRQ}}$, EXTAL Ports A, B, C, D, F, G, H, MODA/ $\overline{\text{LIR}}$, $\overline{\text{RESET}}$	C_{IN}	— —	8 12	pF
Output load capacitance: All outputs except PD[4:1], XTAL, MODA/ $\overline{\text{LIR}}$ PD[4:1]	C_L	— —	90 200	pF

- V_{OH} specification for $\overline{\text{RESET}}$ and MODA is not applicable as they are open-drain pins.
 V_{OH} specification is not applicable to ports C and D in wired-OR mode.
- Refer to A/D specification for the leakage current value for port E.

Electrical Specifications

Characteristic	Symbol	2MHz	3MHz	4MHz	Unit
Maximum total supply current (including PLL) ⁽¹⁾ :	I_{DD}				
RUN: Single chip mode		27	32	40	mA
RUN: Expanded mode		35	42	50	mA
WAIT: Single chip mode ⁽²⁾		10	15	20	mA
WAIT: Expanded mode ⁽²⁾		12	17	22	mA
STOP: Single chip mode		50	50	50	μ A
Power dissipation: Single chip mode	P_D	149	176	220	mW
Power dissipation: Expanded mode		193	231	275	

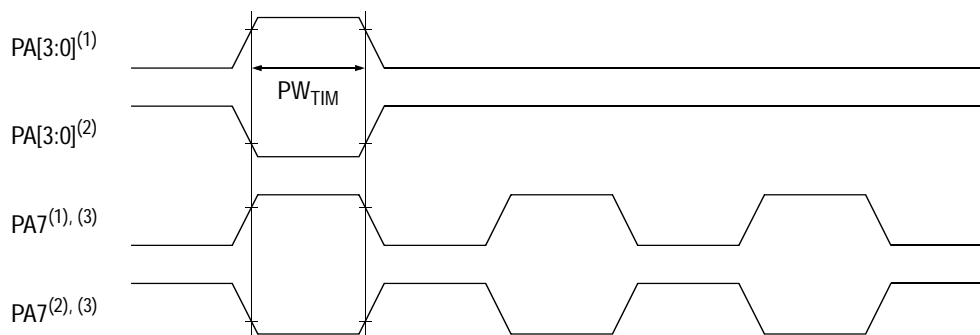
- All current measurements taken with suitable decoupling capacitors across the power supply to suppress the transient switching currents inherent in CMOS designs.
EXTAL is driven with a square wave, with $t_{CYC} = 500/333/250$ ns for 2/3/4MHz devices.
VIL 0.2V; VIH \geq VDD – 0.2V; no DC loads
WAIT: all peripheral functions shut down
STOP: all clocks stopped
- If the PLL low-power WAIT mode is selected (WEN = 1) then, with an external clock of 614kHz, the supply current will not exceed 1 mA in single chip mode, or 2mA in expanded mode.

12.7 Control timing

($V_{DD} = 5.0 \text{ Vdc} \pm 10\%$, $V_{SS} = 0 \text{ Vdc}$, $T_A = T_L \text{ to } T_H$)

Characteristic ⁽¹⁾	Symbol	2.0MHz		3.0MHz		4.0MHz		Unit
		Min.	Max.	Min.	Max.	Min.	Max.	
Frequency of operation	f_{OP}	0	2.0	0	3.0	0	4.0	MHz
E clock period	t_{CYC}	500	—	333	—	250	—	ns
Crystal frequency	f_{XTAL}	—	8.0	—	12.0	—	16.0	MHz
External oscillator frequency	$4f_{OP}$	0	8.0	0	12.0	0	16.0	MHz
Processor control set-up time ($t_{PCSU} = t_{CYC}/4 + 50\text{ns}$)	t_{PCSU}	175	—	133	—	112	—	ns
Reset input pulse width ⁽²⁾	$PW_{RSTL}^{(3)}$	8	—	8	—	8	—	t_{CYC}
	$PW_{RSTL}^{(4)}$	1	—	1	—	1	—	
Mode programming set-up time	t_{MPS}	2	—	2	—	2	—	t_{CYC}
Mode programming hold time	t_{MPH}	10	—	10	—	10	—	ns
Interrupt pulse width (IRQ edge sensitive mode)	PW_{IRQ}	$t_{CYC} + 20$	—	$t_{CYC} + 20$	—	$t_{CYC} + 20$	—	ns
Timer pulse width (Input capture and pulse accumulator inputs)	PW_{TIM}	$t_{CYC} + 20$	—	$t_{CYC} + 20$	—	$t_{CYC} + 20$	—	ns
WAIT recovery start-up time	t_{WRS}	—	4	—	4	—	4	t_{CYC}
Clock monitor reset	f_{CMON}	10	200	10	200	10	200	kHz
PLL crystal frequency	f_{XTAL}	—	2.0	—	2.0	—	2.0	MHz
PLL stabilization time	t_{PLLS}	—	TBD	—	TBD	—	TBD	ms

1. All timing is given with respect to 20% and 70% of V_{DD} , unless otherwise noted.
2. Reset is recognized during the first clock cycle it is held low. Internal circuitry then drives the pin low for four clock cycles, releases the pin and samples the pin level two cycles later to determine the source of the interrupt. (See [Resets and Interrupts.](#))
3. To guarantee an external reset vector.
4. This is the minimum input time; it can be pre-empted by an internal reset.



Notes

- (1) Rising edge sensitive input.
- (2) Falling edge sensitive input.
- (3) Maximum pulse accumulator clocking rate is E clock frequency divided by two (E/2).

Figure 12-2. Timer inputs

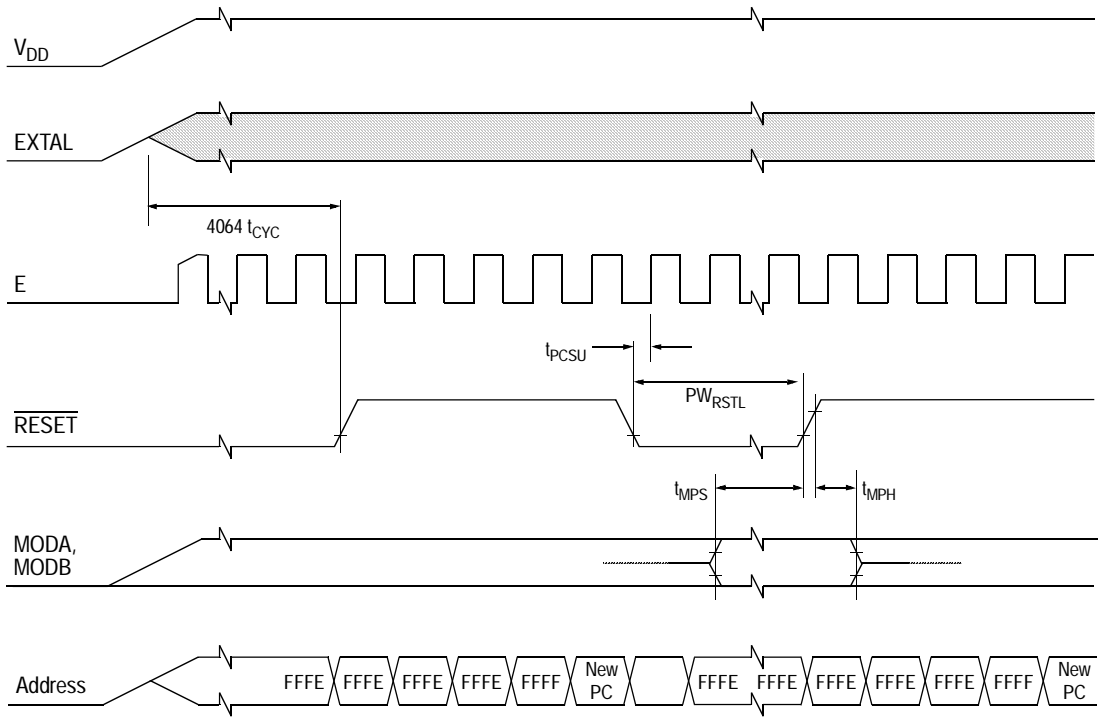
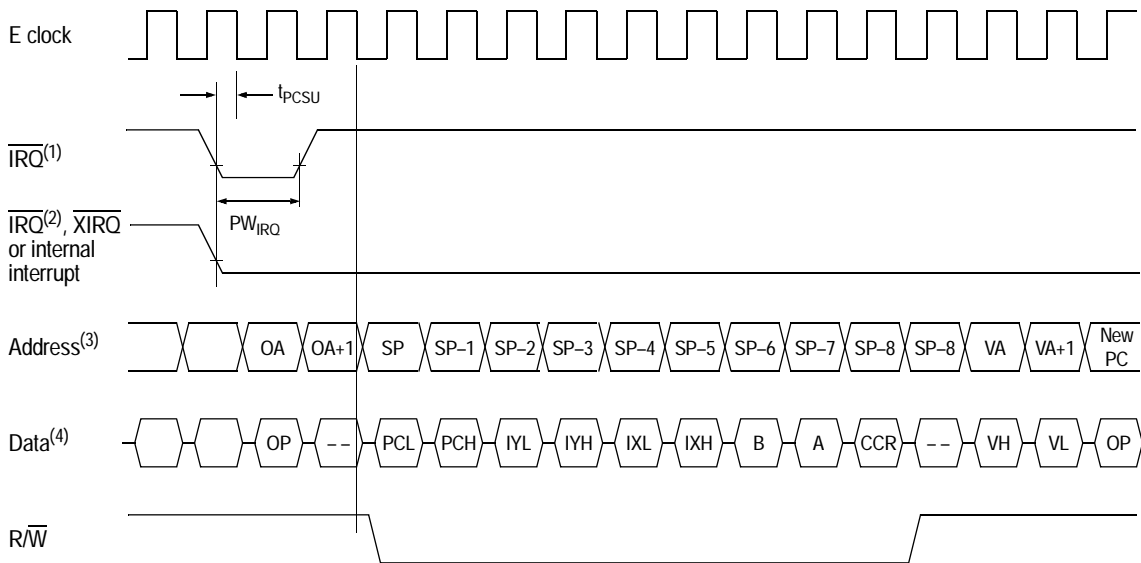


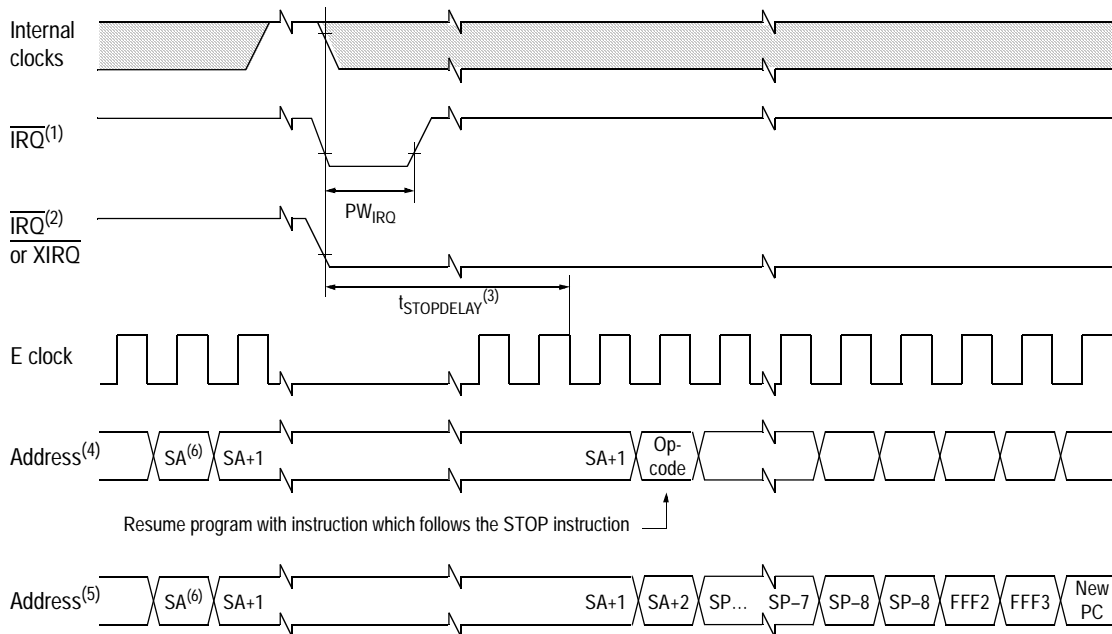
Figure 12-3. Reset timing



Notes:

- (1) Edge sensitive $\overline{\text{IRQ}}$ pin (IROE = 1).
- (2) Level sensitive $\overline{\text{IRQ}}$ pin (IROE = 0).
- (3) Where OA = Opcode address and VA = Vector address.
- (4) Where OP = Opcode, VH = Vector (MSB) and VL = Vector (LSB).

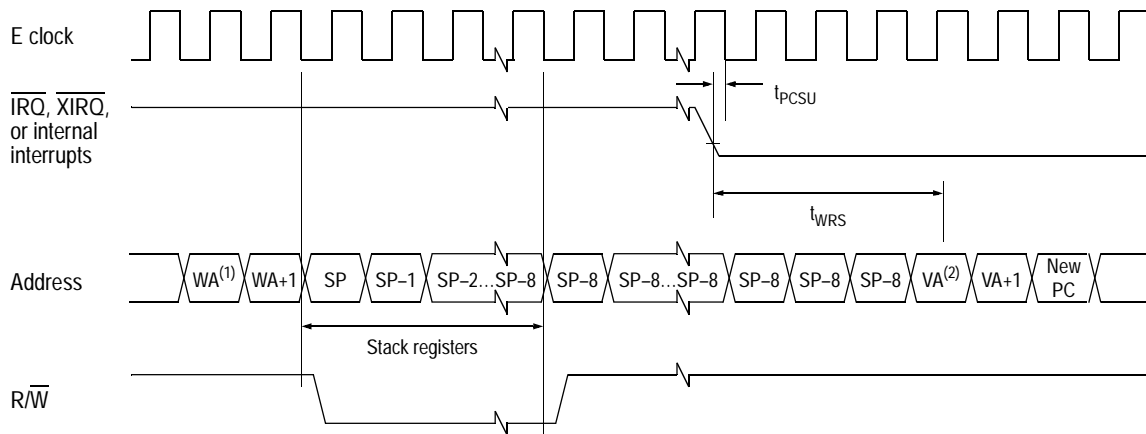
Figure 12-4. Interrupt timing



Notes:

- (1) Edge sensitive \overline{IRQ} pin ($IRQE = 1$).
- (2) Level sensitive \overline{IRQ} pin ($IRQE = 0$).
- (3) $t_{STOPDELAY} = 4064 t_{CYC}$ ($DLY = 1$) or $4 t_{CYC}$ ($DLY = 0$).
- (4) \overline{XIRQ} with X-bit in CCR = 1.
- (5) \overline{IRQ} (or \overline{XIRQ} , with X-bit = 0; in this case vector fetch will be \$FFF4/5).
- (6) SA = STOP address.

Figure 12-5. STOP recovery timing



Notes:

- \overline{RESET} also causes recovery from WAIT.
- (1) WA = WAIT address.
- (2) VA = Vector address.

Figure 12-6. WAIT recovery timing

Electrical Specifications

12.7.1 Peripheral port timing

($V_{DD} = 5.0 \text{ Vdc} \pm 10\%$, $V_{SS} = 0 \text{ Vdc}$, $T_A = T_L \text{ to } T_H$)

Characteristic ⁽¹⁾	Symbol	2.0MHz		3.0MHz		4.0MHz		Unit	
		Min.	Max.	Min.	Max.	Min.	Max.		
Frequency of operation (E clock frequency)	f_{OP}	0	2.0	0	3.0	0	4.0	MHz	
E clock period	t_{CYC}	500	—	333	—	250	—	ns	
Peripheral data set-up time, all ports ⁽²⁾	t_{PDSU}	100	—	100	—	100	—	ns	
Peripheral data hold time, all ports ⁽²⁾	t_{PDH}	50	—	50	—	50	—	ns	
Delay time, peripheral data write	t_{PWD}	MCU write to port A, B, G or H	—	200	—	200	—	200	ns
		MCU write to port C, D or F	—	225	—	183	—	162	

- All timing is given with respect to 20% and 70% of V_{DD} , unless otherwise noted.
- Port C and D timing is valid for active drive (CWOM and DWOM bits clear in OPT2 and SPCR registers, respectively).

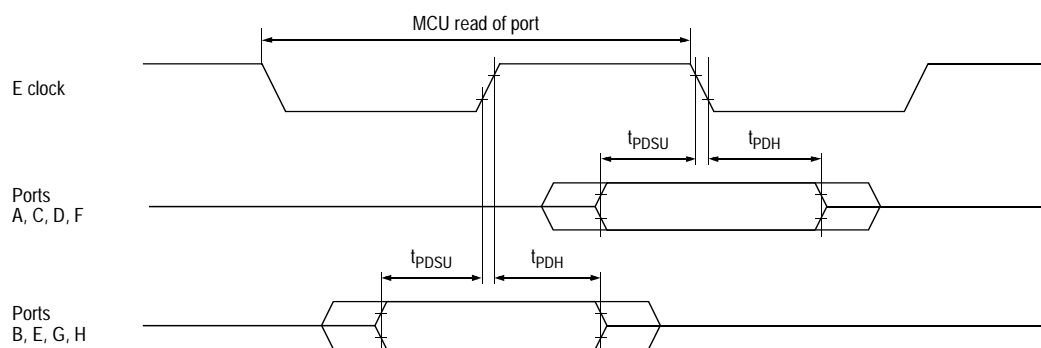


Figure 12-7. Port read timing diagram

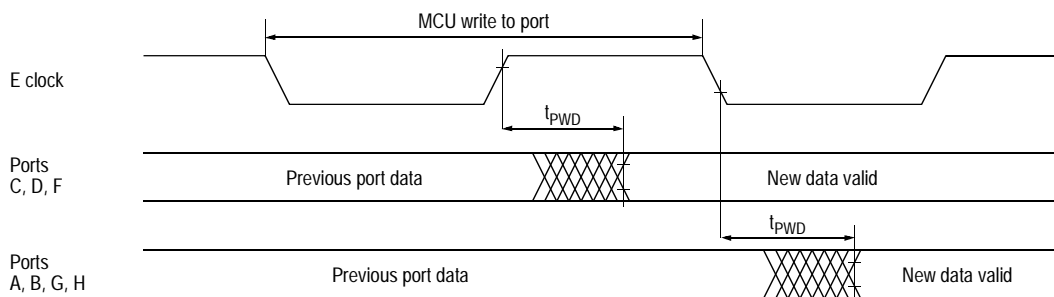


Figure 12-8. Port write timing diagram

12.7.2 Analog-to-digital converter characteristics

($V_{DD} = 5.0 \text{ Vdc} \pm 10\%$, $V_{SS} = 0 \text{ Vdc}$, $T_A = T_L$ to T_H , 750kHz " E " 4MHz, unless otherwise noted)

Characteristic	Parameter	Min.	Absolute	2MHz ⁽¹⁾ Max.	3MHz ⁽¹⁾ Max.	4MHz ⁽¹⁾ Max.	Unit
Resolution	Number of bits resolved by ADC	—	8	—	—	—	bits
Non-linearity	Maximum deviation from the ideal ADC transfer characteristics	—	—	±0.5	±1	±1	LSB
Zero error	Difference from the output of an ideal ADC for zero input voltage	—	—	±0.5	±1	±1	LSB
Full-scale error	Difference from the output of an ideal ADC for full-scale input voltage	—	—	±0.5	±1	±1	LSB
Total unadjusted error	Maximum sum of non-linearity, zero and full-scale errors	—	—	±0.5	±1.5	±1.5	LSB
Quantization error	Uncertainty due to converter resolution	—	—	±0.5	±0.5	±0.5	LSB
Absolute accuracy	Difference between the actual input voltage and the full-scale weighted equivalent of the binary output code, including all error sources	—	—	±1	±2	±2	LSB
Conversion range	Analog input voltage range	V_{RL}	—	V_{RH}	V_{RH}	V_{RH}	V
V_{RH}	Analog reference voltage (high) ⁽²⁾	V_{RL}	—	$V_{DD}+0.1$	$V_{DD}+0.1$	$V_{DD}+0.1$	V
V_{RL}	Analog reference voltage (low) ⁽²⁾	$V_{SS}-0.1$	—	V_{RH}	V_{RH}	V_{RH}	V
$\emptyset V_R$	Minimum difference between V_{RH} and V_{RL} ⁽²⁾	3	—	—	—	—	V
Conversion time	Total time to perform a single A/D conversion: E clock Internal RC oscillator	— —	32 —	— $t_{CYC}+32$	— $t_{CYC}+32$	— $t_{CYC}+32$	t_{CYC} μs
Monotonicity	Conversion result never decreases with an increase in input voltage and has no missing codes	Guaranteed					
Zero input reading	Conversion result when $V_{IN} = V_{RL}$	\$00	—	—	—	—	Hex
Full-scale reading	Conversion result when $V_{IN} = V_{RH}$	—	—	\$FF	\$FF	\$FF	Hex
Sample acquisition time	Analogue input acquisition sampling time: E clock Internal RC oscillator	— —	12 —	— 12	— 12	— 12	t_{CYC} μs
Sample/hold capacitance	Input capacitance (PE[0:7]) during sample	—	20 (typ)	—	—	—	pF
Input leakage	Input leakage on A/D pins: PE[0:7] V_{RL}, V_{RH}	— —	— —	400 1.0	400 1.0	400 1.0	nA μA

1. For $f_{OP} < 2\text{MHz}$, source impedances should be approximately 10k Ω . For $f_{OP} \geq 2\text{MHz}$, source impedances should be in the range 5–10k Ω . Source impedances greater than 10k Ω have an adverse affect on A/D accuracy, because of input leakage.
2. Performance verified down to $\emptyset V_R = 2.5\text{V}$, however accuracy is tested and guaranteed at $\emptyset V_R = 5\text{V} \pm 10\%$.

Electrical Specifications

12.7.3 Serial peripheral interface timing

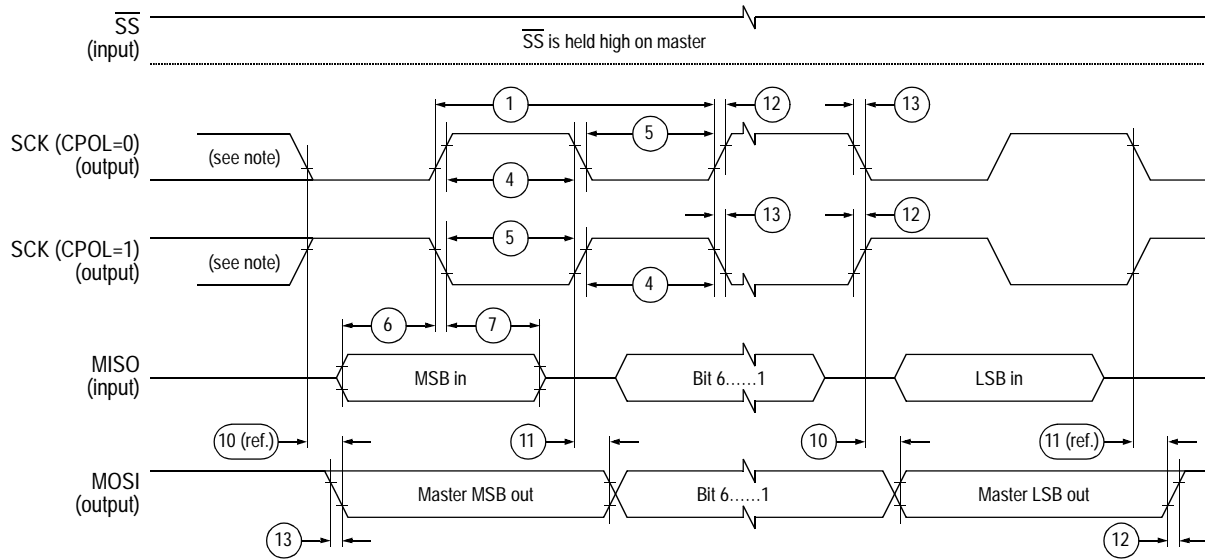
($V_{DD} = 5.0 \text{ Vdc} \pm 10\%$, $V_{SS} = 0 \text{ Vdc}$, $T_A = T_L \text{ to } T_H$)

Num	Characteristic ⁽¹⁾	Symbol	2.0MHz		3.0MHz		4.0MHz		Unit
			Min.	Max.	Min.	Max.	Min.	Max.	
	Operating frequencyMaster Slave	$f_{OP(M)}$ $f_{OP(S)}$	0 0	0.5 2.0	0 0	0.5 3.0	0 0	0.5 4.0	f_{OP} MHz
1	Cycle timeMaster Slave	$t_{CYC(M)}$ $t_{CYC(S)}$	2.0 500	— —	2.0 333	— —	2.0 250	— —	t_{CYC} ns
2	Enable lead time ⁽²⁾ Master Slave	$t_{LEAD(M)}$ $t_{LEAD(S)}$	— 250	— —	— 240	— —	— 200	— —	ns
3	Enable lag time ⁽²⁾ Master Slave	$t_{LAG(M)}$ $t_{LAG(S)}$	— 250	— —	— 240	— —	— 200	— —	ns
4	Clock (SCK) high timeMaster Slave	$t_{W(SCKH)M}$ $t_{W(SCKH)S}$	340 190	— —	227 127	— —	130 85	— —	ns
5	Clock (SCK) low timeMaster Slave	$t_{W(SCKL)M}$ $t_{W(SCKL)S}$	340 190	— —	227 127	— —	130 85	— —	ns
6	Input data set-up timeMaster Slave	$t_{SU(M)}$ $t_{SU(S)}$	100 100	— —	100 100	— —	100 100	— —	ns
7	Input data hold timeMaster Slave	$t_{H(M)}$ $t_{H(S)}$	100 100	— —	100 100	— —	100 100	— —	ns
8	Access time (from high-z to data active) Slave	t_A	0	120	0	120	0	120	ns
9	Disable time (hold time to high-z state)Slave	t_{DIS}	—	240	—	167	—	125	ns
10	Data valid (after enable edge) ⁽³⁾	$t_{V(S)}$	—	240	—	167	—	125	ns
11	Output data hold time (after enable edge)	t_{HO}	0	—	0	—	0	—	ns
12	Rise time ⁽³⁾ SPI outputs (SCK, MOSI and MISO) SPI inputs (SCK, MOSI, MISO and \overline{SS})	t_{RM} t_{RS}	— —	100 2.0	— —	100 2.0	— —	100 2.0	ns μs
13	Fall time ⁽³⁾ SPI outputs (SCK, MOSI and MISO) SPI inputs (SCK, MOSI, MISO and \overline{SS})	t_{FM} t_{FS}	— —	100 2.0	— —	100 2.0	— —	100 2.0	ns μs

1. All timing is given with respect to 20% and 70% of V_{DD} , unless otherwise noted.

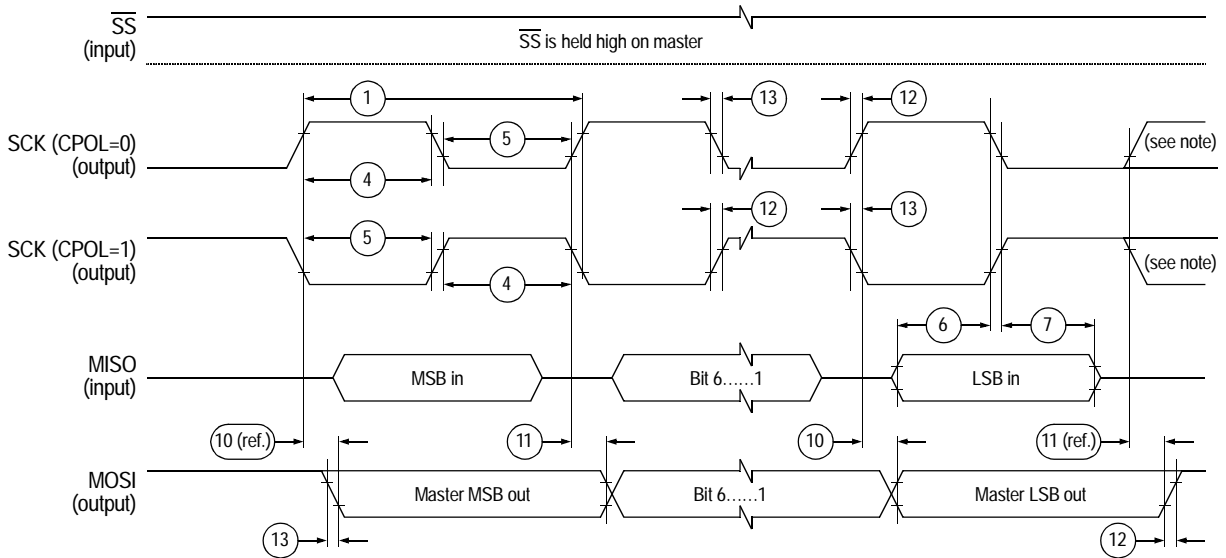
2. Signal production depends on software.

3. Assumes 200pF load on all SPI pins.



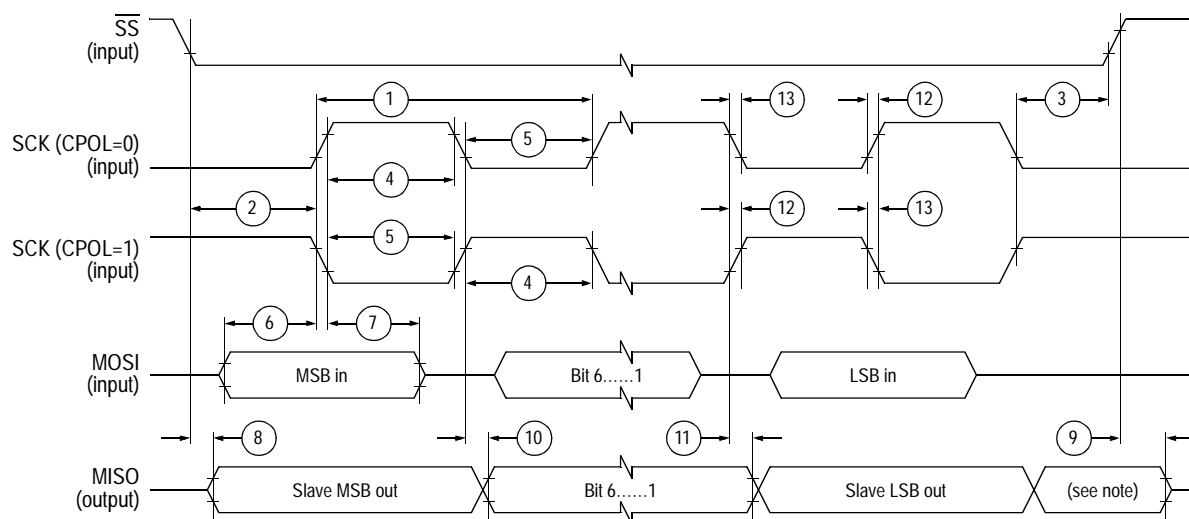
Note: This first clock edge is generated internally, but is not seen at the SCK pin.

Figure 12-9. SPI master timing (CPHA = 0)



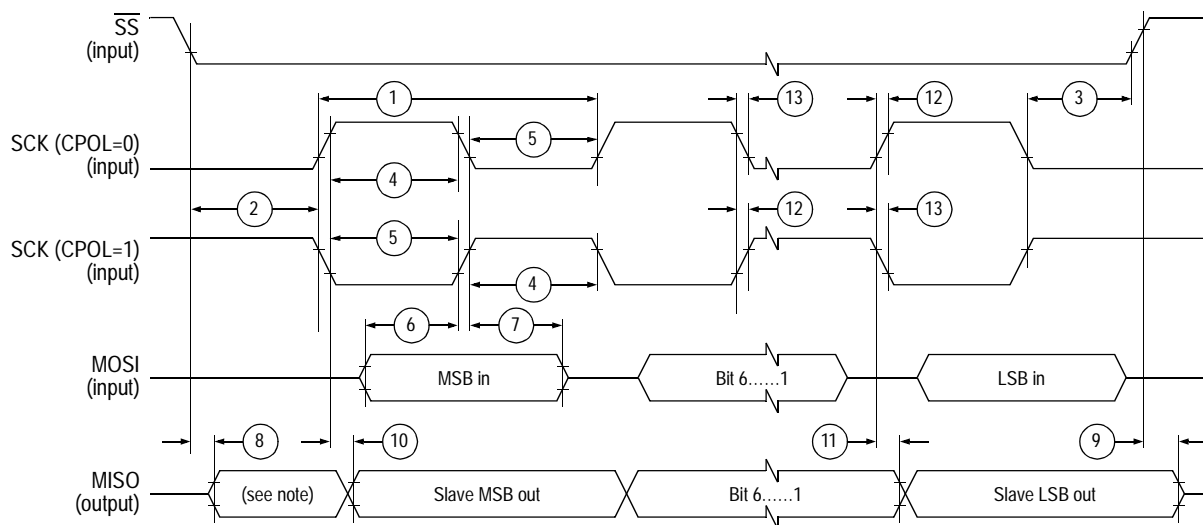
Note: This last clock edge is generated internally, but is not seen at the SCK pin.

Figure 12-10. SPI master timing (CPHA = 1)



Note: Not defined, but normally the MSB of character just received.

Figure 12-11. SPI slave timing (CPHA = 0)



Note: Not defined, but normally the LSB of character last transmitted.

Figure 12-12. SPI slave timing (CPHA = 1)

12.7.4 Nonmultiplexed expansion bus timing

($V_{DD} = 5.0 \text{ Vdc} \pm 10\%$, $V_{SS} = 0 \text{ Vdc}$, $T_A = T_L$ to T_H)

Num	Characteristic ⁽¹⁾	Symbol	2.0MHz		3.0MHz		4.0MHz		Unit
			Min.	Max.	Min.	Max.	Min.	Max.	
	Frequency of operation (E clock frequency)	f_{OP}	0	2.0	0	3.0	0	4.0	MHz
1	E clock period	t_{CYC}	500	—	333	—	250	—	ns
2	Pulse width, E low ^{(2), (3)}	PW_{EL}	230	—	147	—	105	—	ns
3	Pulse width, E high ^{(2), (3)}	PW_{EH}	225	—	142	—	100	—	ns
4A	E clockrise time	t_r	—	20	—	20	—	20	ns
4B	fall time	t_f	—	20	—	18	—	15	ns
9	Address hold time ⁽³⁾	t_{AH}	53	—	32	—	21	—	ns
11	Address delay time ⁽³⁾	t_{AD}	—	103	—	82	—	71	ns
12	Address valid to E rise time ⁽³⁾	t_{AV}	127	—	65	—	34	—	ns
17	Read data set-up time	t_{DSR}	30	—	30	—	20	—	ns
18	Read data hold time	t_{DHR}	0	—	0	—	0	—	ns
19	Write data delay time	t_{DDW}	—	40	—	40	—	40	ns
21	Write data hold time ⁽³⁾	t_{DHW}	63	—	42	—	31	—	ns
29	MPU address access time ⁽³⁾	t_{ACCA}	347	—	203	—	144	—	ns
39	Write data set-up time ⁽³⁾	t_{DSW}	185	—	102	—	60	—	ns
57	Address valid to data tristate time	t_{AVDZ}	—	10	—	10	—	10	ns

- All timing is given with respect to 20% and 70% of V_{DD} , unless otherwise noted.
- Input clock duty cycles other than 50% will affect the bus performance.
- For f_{OP} 2MHz the following formulae may be used to calculate parameter values:
 $PW_{EL} = t_{CYC}/2 - 20\text{ns}$ $PW_{EH} = t_{CYC}/2 - 25\text{ns}$
 $t_{AH} = t_{CYC}/8 - 10\text{ns}$ $t_{AD} = t_{CYC}/8 + 40\text{ns}$
 $t_{AV} = PW_{EL} - t_{AD}$ $t_{DHW} = t_{CYC}/8$
 $t_{ACCA} = t_{CYC} - t_r - t_{DSR} - t_{AD}$ $t_{DSW} = PW_{EH} - t_{DDW}$
 $t_{ECSA} = PW_{EH} - t_{ECSD} - t_{DSR}$ $t_{ACSD} = t_{CYC}/4 + 40\text{ns}$
 $t_{ACSA} = t_{CYC} - t_f - t_{DSR} - t_{ACSD}$

Electrical Specifications

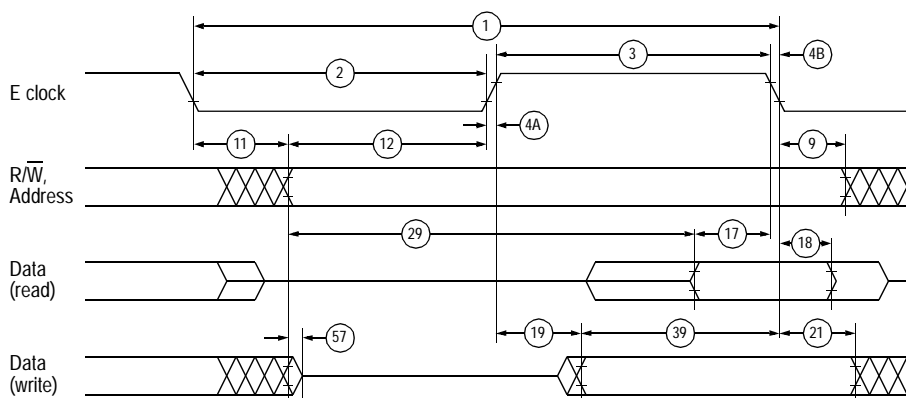


Figure 12-13. Expansion bus timing

12.7.5 EEPROM characteristics

Characteristic	Temperature range			Unit
	-40 to +85°C	-40 to +105°C	-40 to +125°C	
Programming time ⁽¹⁾				
<1 MHz, RCO enabled	10	15	20	ms
1–2 MHz, RCO disabled	20	must use RCO	must use RCO	
≥2 MHz & whenever RCO enabled	10	15	20	
Erase time: byte, row and bulk ⁽¹⁾	10	10	10	ms
Write/erase endurance ⁽²⁾	10000	10000	10000	cycles
Data retention ⁽²⁾	10	10	10	years

1. The RC oscillator (RCO) must be enabled (by setting the CSEL bit in the OPTION register) for EEPROM programming and erasure when the E clock frequency is less than 1.0 MHz.
2. Refer to the current issue of Motorola's quarterly **Reliability Monitor Report** for the latest failure rate information.

12.7.6 EPROM characteristics

($V_{DD} = 5.0 \text{ Vdc} \pm 10\%$, $V_{SS} = 0 \text{ Vdc}$, $T_A = T_L$ to T_H , unless otherwise noted)

Characteristic	Symbol	Min.	Typ.	Max.	Unit
Programming voltage	V_{PPE}	11.75	12.25	12.75	V
Programming time	t_{EPROG}	2	2	4	ms

Section 13. Mechanical Data

13.1 Contents

13.2	Pin assignments	248
13.3	Package dimensions	249

13.2 Pin assignments

The MC68HC11P2 is available in 84-pin PLCC or 88-pin QFP packages; *in addition to those two packages, the MC68HC711P2 is also available in a windowed 84-pin CERQUAD package, to allow full use of the EPROM.*

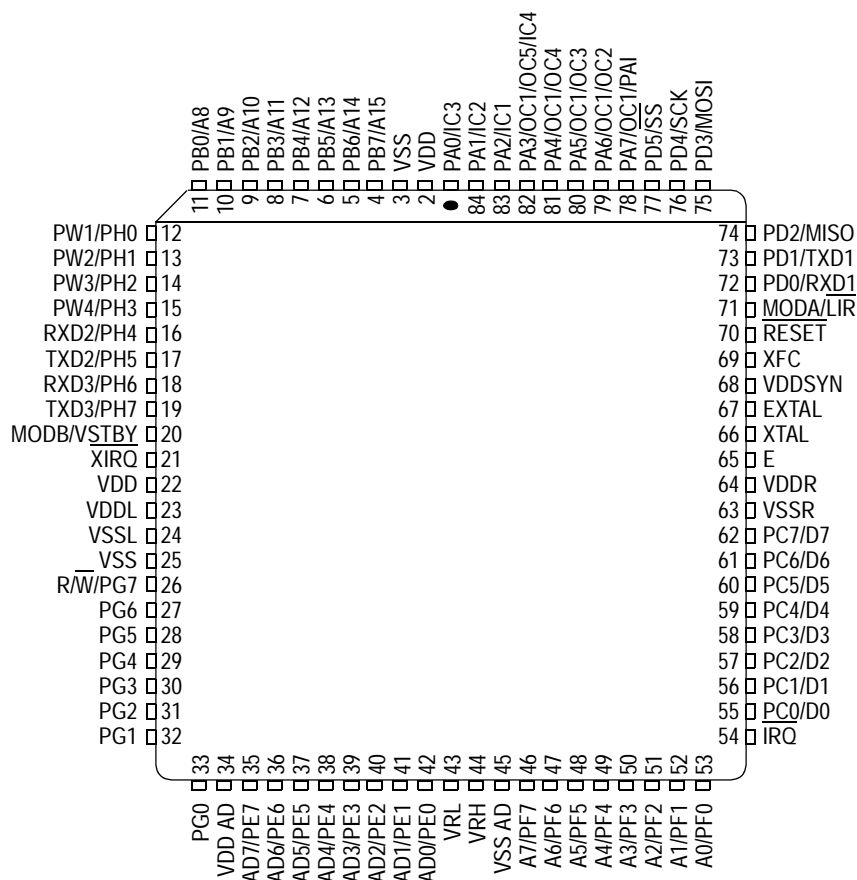
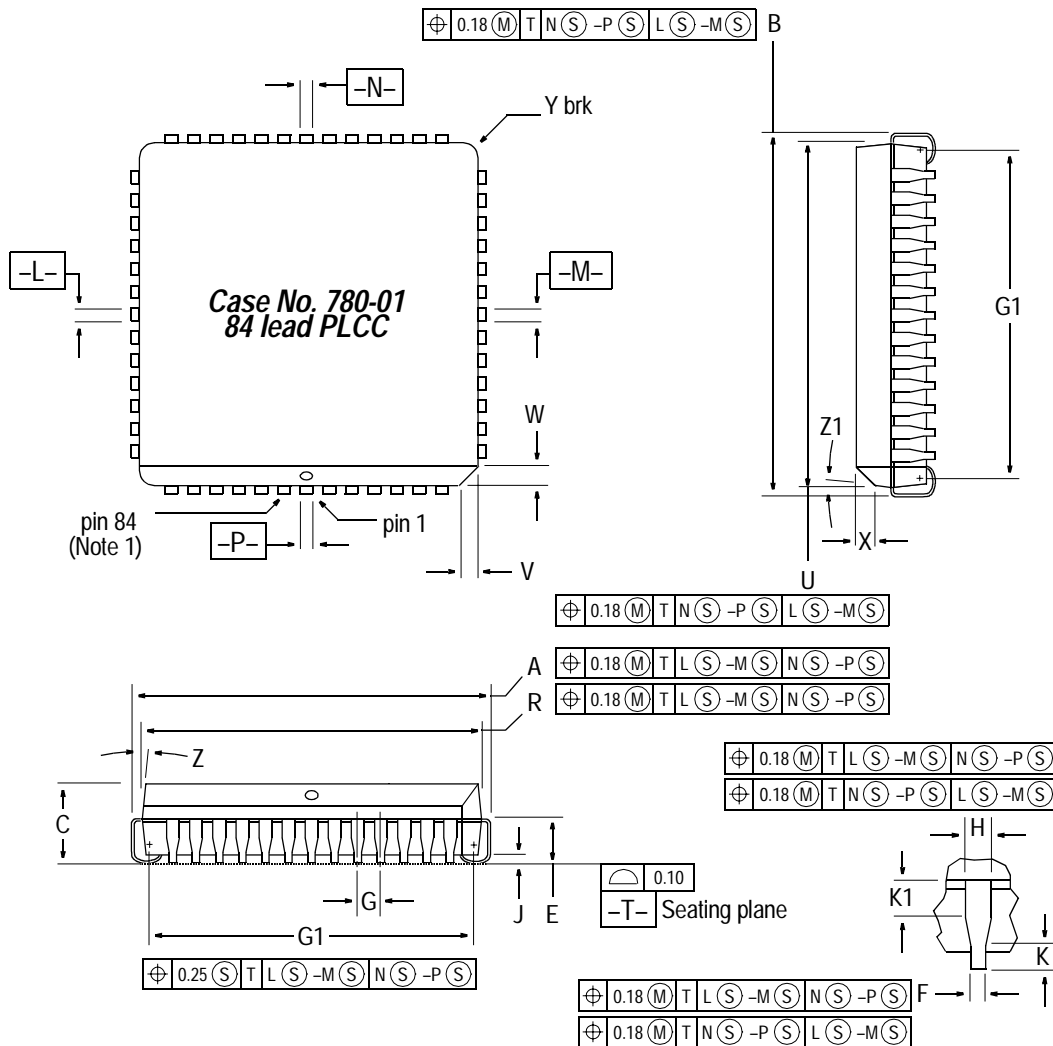


Figure 13-1. 84-pin PLCC/CERQUAD pinout

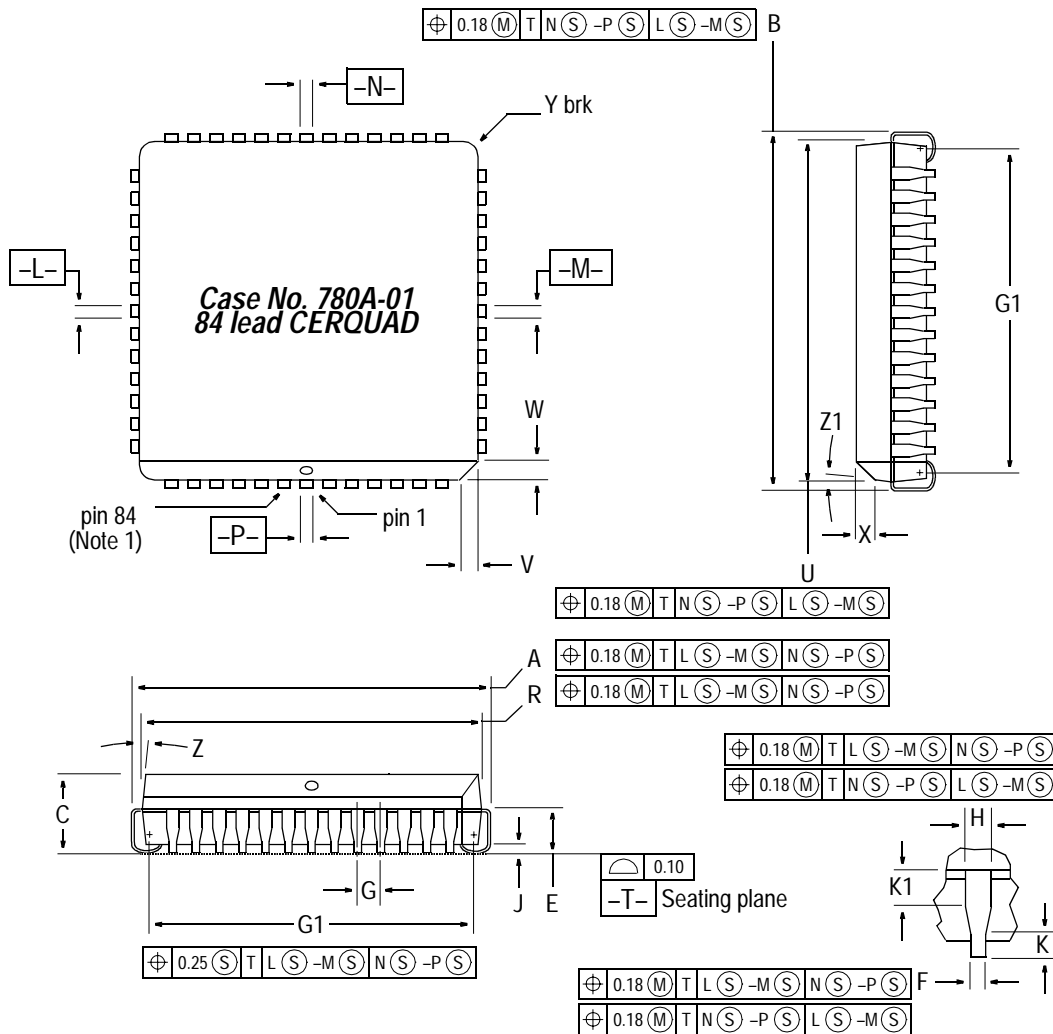
13.3 Package dimensions



Dim.	Min.	Max.	Notes	Dim.	Min.	Max.
A	30.10	30.35	<ol style="list-style-type: none"> Due to space limitations, this case shall be represented by a general case outline, rather than one showing all the leads. Datums -L-, -M-, -N- and -P- are determined where top of lead shoulder exits plastic body at mould parting line. Dimension G1, true position to be measured at datum -T- (seating plane). Dimensions R and U do not include mould protrusion. Allowable mould protrusion is 0.25mm per side. Dimensions and tolerancing per ANSI Y 14.5M, 1982. All dimensions in mm. 	U	29.21	29.36
B	30.10	30.35		V	1.07	1.21
C	4.20	4.57		W	1.07	1.21
E	2.29	2.79		X	1.07	1.42
F	0.33	0.48		Y	—	0.50
G	1.27 BSC			Z	2°	10°
H	0.66	0.81		G1	28.20	28.70
J	0.51	—		K1	1.02	—
K	0.64	—		Z1	2°	10°
R	29.21	29.36				

Figure 13-2. 84-pin PLCC mechanical dimensions

Mechanical Data



Dim.	Min.	Max.	Notes	Dim.	Min.	Max.
A	30.10	30.35	1. Due to space limitations, this case shall be represented by a general case outline, rather than one showing all the leads. 2. Datums -L-, -M-, -N- and -P- are determined where top of lead shoulder exits package body at glass parting line. 3. Dimension G1, true position to be measured at datum -T- (seating plane). 4. Dimensions R and U do not include glass protrusion. Allowable glass protrusion is 0.25mm per side. 5. Dimensions and tolerancing per ANSI Y 14.5M, 1982. 6. All dimensions in mm.	U	29.21	29.36
B	30.10	30.35		V	1.07	1.21
C	4.20	4.57		W	1.07	1.21
E	2.29	2.79		X	1.07	1.42
F	0.33	0.53		Y	—	0.50
G	1.27 BSC			Z	2°	10°
H	0.66	0.81	G1	28.20	28.70	
J	0.51	—	K1	1.02	—	
K	0.64	—	Z1	2°	10°	
R	29.21	29.36				

Figure 13-3. 84-pin CERQUAD mechanical dimensions

Section 14. Ordering Information

14.1 Contents

14.2 Introduction251

14.2 Introduction

Use the information in [Table 14-1](#) to specify the appropriate device type when placing an order.

Table 14-1. Ordering information

Package	Temperature	CONFIG register	Description	Frequency	MC order number
84-pin PLCC	-40 to +85°C	\$FF	Buffalo ROM	4MHz	MC68HC11P2BCFN4
		\$XX	Custom ROM	3MHz 4MHz	MC68HC11P2CFN3 MC68HC11P2CFN4
		\$XX	Custom ROM, No EEPROM	3MHz 4MHz	MC68HC11P3CFN3 MC68HC11P3CFN4
		\$FD	No ROM	3MHz 4MHz	MC68HC11P1CFN3 MC68HC11P1CFN4
		\$FC	No ROM or EEPROM	3MHz 4MHz	MC68HC11P0CFN3 MC68HC11P0CFN4
		\$FF	OTPROM	3MHz 4MHz	MC68HC711P2CFN3 MC68HC711P2CFN4
84-pin CERQUAD	-40 to +85°C	\$FF	EPROM	3MHz 4MHz	MC68HC711P2CFS3 MC68HC711P2CFS4

Ordering Information

Section 15. Development Support

15.1 Contents

15.2 Introduction	253
15.3 EVS — Evaluation system	253

15.2 Introduction

The following information provides a reference to development tools for the M68HC11 family of microcontrollers. For more detailed information please refer to the appropriate system manual.

Table 15-1. M68HC11 development tools

Devices	Evaluation boards	Evaluation modules	Evaluation systems/kits	Programmer boards
MC68HC11P2, MC68HC711P2	—	—	MC68HC11KMNPEVS	—

15.3 EVS — Evaluation system

The EVS is an economical tool for designing, debugging and evaluating target systems based on the MC68HC11P2 and MC68HC711P2 device types. The two printed circuit boards that comprise the EVS are the MC68HC11KMNPEM emulator module and the MC68HC11PFB platform board. The main features of the EVS are as follows:

- Monitor/debugger firmware
- Single-line assembler/disassembler
- Host computer download capability

- Dual memory maps:
 - 64K byte monitor map that includes 16K bytes of monitor EPROM
 - *MC68HC711P2 user map that includes 64K bytes of emulation RAM*
- MCU extension I/O port for single chip, expanded and special test operating modes
- RS-232C terminal and host I/O ports
- Logic analyser connector

Glossary

A — See “accumulator (A).”

accumulator (A) — An 8-bit general-purpose register in the CPU08. The CPU08 uses the accumulator to hold operands and results of arithmetic and logic operations.

acquisition mode — A mode of PLL operation during startup before the PLL locks on a frequency. Also see “tracking mode.”

address bus — The set of wires that the CPU or DMA uses to read and write memory locations.

addressing mode — The way that the CPU determines the operand address for an instruction. The M68HC08 CPU has 16 addressing modes.

ALU — See “arithmetic logic unit (ALU).”

arithmetic logic unit (ALU) — The portion of the CPU that contains the logic circuitry to perform arithmetic, logic, and manipulation operations on operands.

asynchronous — Refers to logic circuits and operations that are not synchronized by a common reference signal.

baud rate — The total number of bits transmitted per unit of time.

BCD — See “binary-coded decimal (BCD).”

binary — Relating to the base 2 number system.

binary number system — The base 2 number system, having two digits, 0 and 1. Binary arithmetic is convenient in digital circuit design because digital circuits have two permissible voltage levels, low and high. The binary digits 0 and 1 can be interpreted to correspond to the two digital voltage levels.

binary-coded decimal (BCD) — A notation that uses 4-bit binary numbers to represent the 10 decimal digits and that retains the same positional structure of a decimal number. For example,

234 (decimal) = 0010 0011 0100 (BCD)

bit — A binary digit. A bit has a value of either logic 0 or logic 1.

branch instruction — An instruction that causes the CPU to continue processing at a memory location other than the next sequential address.

break module — A module in the M68HC08 Family. The break module allows software to halt program execution at a programmable point in order to enter a background routine.

breakpoint — A number written into the break address registers of the break module. When a number appears on the internal address bus that is the same as the number in the break address registers, the CPU executes the software interrupt instruction (SWI).

break interrupt — A software interrupt caused by the appearance on the internal address bus of the same value that is written in the break address registers.

bus — A set of wires that transfers logic signals.

bus clock — The bus clock is derived from the CGMOUT output from the CGM. The bus clock frequency, f_{op} , is equal to the frequency of the oscillator output, CGMXCLK, divided by four.

byte — A set of eight bits.

C — The carry/borrow bit in the condition code register. The CPU08 sets the carry/borrow bit when an addition operation produces a carry out of bit 7 of the accumulator or when a subtraction operation requires a borrow. Some logical operations and data manipulation instructions also clear or set the carry/borrow bit (as in bit test and branch instructions and shifts and rotates).

CCR — See “condition code register.”

central processor unit (CPU) — The primary functioning unit of any computer system. The CPU controls the execution of instructions.

CGM — See “clock generator module (CGM).”

clear — To change a bit from logic 1 to logic 0; the opposite of set.

clock — A square wave signal used to synchronize events in a computer.

clock generator module (CGM) — A module in the M68HC08 Family. The CGM generates a base clock signal from which the system clocks are derived. The CGM may include a crystal oscillator circuit and or phase-locked loop (PLL) circuit.

comparator — A device that compares the magnitude of two inputs. A digital comparator defines the equality or relative differences between two binary numbers.

computer operating properly module (COP) — A counter module in the M68HC08 Family that resets the MCU if allowed to overflow.

condition code register (CCR) — An 8-bit register in the CPU08 that contains the interrupt mask bit and five bits that indicate the results of the instruction just executed.

control bit — One bit of a register manipulated by software to control the operation of the module.

control unit — One of two major units of the CPU. The control unit contains logic functions that synchronize the machine and direct various operations. The control unit decodes instructions and generates the internal control signals that perform the requested operations. The outputs of the control unit drive the execution unit, which contains the arithmetic logic unit (ALU), CPU registers, and bus interface.

COP — See "computer operating properly module (COP)."

counter clock — The input clock to the TIM counter. This clock is the output of the TIM prescaler.

CPU — See "central processor unit (CPU)."

CPU08 — The central processor unit of the M68HC08 Family.

CPU clock — The CPU clock is derived from the CGMOUT output from the CGM. The CPU clock frequency is equal to the frequency of the oscillator output, CGMXCLK, divided by four.

CPU cycles — A CPU cycle is one period of the internal bus clock, normally derived by dividing a crystal oscillator source by two or more so the high and low times will be equal. The length of time required to execute an instruction is measured in CPU clock cycles.

CPU registers — Memory locations that are wired directly into the CPU logic instead of being part of the addressable memory map. The CPU always has direct access to the information in these registers. The CPU registers in an M68HC08 are:

- A (8-bit accumulator)
- H:X (16-bit index register)
- SP (16-bit stack pointer)
- PC (16-bit program counter)
- CCR (condition code register containing the V, H, I, N, Z, and C bits)

CSIC — customer-specified integrated circuit

cycle time — The period of the operating frequency: $t_{CYC} = 1/f_{OP}$.

decimal number system — Base 10 numbering system that uses the digits zero through nine.

- direct memory access module (DMA)** — A M68HC08 Family module that can perform data transfers between any two CPU-addressable locations without CPU intervention. For transmitting or receiving blocks of data to or from peripherals, DMA transfers are faster and more code-efficient than CPU interrupts.
- DMA** — See "direct memory access module (DMA)."
- DMA service request** — A signal from a peripheral to the DMA module that enables the DMA module to transfer data.
- duty cycle** — A ratio of the amount of time the signal is on versus the time it is off. Duty cycle is usually represented by a percentage.
- EEPROM** — Electrically erasable, programmable, read-only memory. A nonvolatile type of memory that can be electrically reprogrammed.
- EPROM** — Erasable, programmable, read-only memory. A nonvolatile type of memory that can be erased by exposure to an ultraviolet light source and then reprogrammed.
- exception** — An event such as an interrupt or a reset that stops the sequential execution of the instructions in the main program.
- external interrupt module (IRQ)** — A module in the M68HC08 Family with both dedicated external interrupt pins and port pins that can be enabled as interrupt pins.
- fetch** — To copy data from a memory location into the accumulator.
- firmware** — Instructions and data programmed into nonvolatile memory.
- free-running counter** — A device that counts from zero to a predetermined number, then rolls over to zero and begins counting again.
- full-duplex transmission** — Communication on a channel in which data can be sent and received simultaneously.
- H** — The upper byte of the 16-bit index register (H:X) in the CPU08.
- H** — The half-carry bit in the condition code register of the CPU08. This bit indicates a carry from the low-order four bits of the accumulator value to the high-order four bits. The half-carry bit is required for binary-coded decimal arithmetic operations. The decimal adjust accumulator (DAA) instruction uses the state of the H and C bits to determine the appropriate correction factor.
- hexadecimal** — Base 16 numbering system that uses the digits 0 through 9 and the letters A through F.
- high byte** — The most significant eight bits of a word.

illegal address — An address not within the memory map

illegal opcode — A nonexistent opcode.

I — The interrupt mask bit in the condition code register of the CPU08. When I is set, all interrupts are disabled.

index register (H:X) — A 16-bit register in the CPU08. The upper byte of H:X is called H. The lower byte is called X. In the indexed addressing modes, the CPU uses the contents of H:X to determine the effective address of the operand. H:X can also serve as a temporary data storage location.

input/output (I/O) — Input/output interfaces between a computer system and the external world. A CPU reads an input to sense the level of an external signal and writes to an output to change the level on an external signal.

instructions — Operations that a CPU can perform. Instructions are expressed by programmers as assembly language mnemonics. A CPU interprets an opcode and its associated operand(s) and instruction.

interrupt — A temporary break in the sequential execution of a program to respond to signals from peripheral devices by executing a subroutine.

interrupt request — A signal from a peripheral to the CPU intended to cause the CPU to execute a subroutine.

I/O — See "input/output (I/O)."

IRQ — See "external interrupt module (IRQ)."

jitter — Short-term signal instability.

latch — A circuit that retains the voltage level (logic 1 or logic 0) written to it for as long as power is applied to the circuit.

latency — The time lag between instruction completion and data movement.

least significant bit (LSB) — The rightmost digit of a binary number.

logic 1 — A voltage level approximately equal to the input power voltage (V_{DD}).

logic 0 — A voltage level approximately equal to the ground voltage (V_{SS}).

low byte — The least significant eight bits of a word.

low voltage inhibit module (LVI) — A module in the M68HC08 Family that monitors power supply voltage.

LVI — See "low voltage inhibit module (LVI)."

M68HC08 — A Motorola family of 8-bit MCUs.

mark/space — The logic 1/logic 0 convention used in formatting data in serial communication.

mask — 1. A logic circuit that forces a bit or group of bits to a desired state. 2. A photomask used in integrated circuit fabrication to transfer an image onto silicon.

mask option — A optional microcontroller feature that the customer chooses to enable or disable.

mask option register (MOR) — An EPROM location containing bits that enable or disable certain MCU features.

MCU — Microcontroller unit. See "microcontroller."

memory location — Each M68HC08 memory location holds one byte of data and has a unique address. To store information in a memory location, the CPU places the address of the location on the address bus, the data information on the data bus, and asserts the write signal. To read information from a memory location, the CPU places the address of the location on the address bus and asserts the read signal. In response to the read signal, the selected memory location places its data onto the data bus.

memory map — A pictorial representation of all memory locations in a computer system.

microcontroller — Microcontroller unit (MCU). A complete computer system, including a CPU, memory, a clock oscillator, and input/output (I/O) on a single integrated circuit.

modulo counter — A counter that can be programmed to count to any number from zero to its maximum possible modulus.

monitor ROM — A section of ROM that can execute commands from a host computer for testing purposes.

MOR — See "mask option register (MOR)."

most significant bit (MSB) — The leftmost digit of a binary number.

multiplexer — A device that can select one of a number of inputs and pass the logic level of that input on to the output.

N — The negative bit in the condition code register of the CPU08. The CPU sets the negative bit when an arithmetic operation, logical operation, or data manipulation produces a negative result.

nibble — A set of four bits (half of a byte).

object code — The output from an assembler or compiler that is itself executable machine code, or is suitable for processing to produce executable machine code.

opcode — A binary code that instructs the CPU to perform an operation.

open-drain — An output that has no pullup transistor. An external pullup device can be connected to the power supply to provide the logic 1 output voltage.

operand — Data on which an operation is performed. Usually a statement consists of an operator and an operand. For example, the operator may be an add instruction, and the operand may be the quantity to be added.

oscillator — A circuit that produces a constant frequency square wave that is used by the computer as a timing and sequencing reference.

OTPROM — One-time programmable read-only memory. A nonvolatile type of memory that cannot be reprogrammed.

overflow — A quantity that is too large to be contained in one byte or one word.

page zero — The first 256 bytes of memory (addresses \$0000–\$00FF).

parity — An error-checking scheme that counts the number of logic 1s in each byte transmitted. In a system that uses odd parity, every byte is expected to have an odd number of logic 1s. In an even parity system, every byte should have an even number of logic 1s. In the transmitter, a parity generator appends an extra bit to each byte to make the number of logic 1s odd for odd parity or even for even parity. A parity checker in the receiver counts the number of logic 1s in each byte. The parity checker generates an error signal if it finds a byte with an incorrect number of logic 1s.

PC — See “program counter (PC).”

peripheral — A circuit not under direct CPU control.

phase-locked loop (PLL) — A oscillator circuit in which the frequency of the oscillator is synchronized to a reference signal.

PLL — See “phase-locked loop (PLL).”

pointer — Pointer register. An index register is sometimes called a pointer register because its contents are used in the calculation of the address of an operand, and therefore points to the operand.

polarity — The two opposite logic levels, logic 1 and logic 0, which correspond to two different voltage levels, V_{DD} and V_{SS} .

polling — Periodically reading a status bit to monitor the condition of a peripheral device.

Glossary

port — A set of wires for communicating with off-chip devices.

prescaler — A circuit that generates an output signal related to the input signal by a fractional scale factor such as 1/2, 1/8, 1/10 etc.

program — A set of computer instructions that cause a computer to perform a desired operation or operations.

program counter (PC) — A 16-bit register in the CPU08. The PC register holds the address of the next instruction or operand that the CPU will use.

pull — An instruction that copies into the accumulator the contents of a stack RAM location. The stack RAM address is in the stack pointer.

pullup — A transistor in the output of a logic gate that connects the output to the logic 1 voltage of the power supply.

pulse-width — The amount of time a signal is on as opposed to being in its off state.

pulse-width modulation (PWM) — Controlled variation (modulation) of the pulse width of a signal with a constant frequency.

push — An instruction that copies the contents of the accumulator to the stack RAM. The stack RAM address is in the stack pointer.

PWM period — The time required for one complete cycle of a PWM waveform.

RAM — Random access memory. All RAM locations can be read or written by the CPU. The contents of a RAM memory location remain valid until the CPU writes a different value or until power is turned off.

RC circuit — A circuit consisting of capacitors and resistors having a defined time constant.

read — To copy the contents of a memory location to the accumulator.

register — A circuit that stores a group of bits.

reserved memory location — A memory location that is used only in special factory test modes. Writing to a reserved location has no effect. Reading a reserved location returns an unpredictable value.

reset — To force a device to a known condition.

ROM — Read-only memory. A type of memory that can be read but cannot be changed (written). The contents of ROM must be specified before manufacturing the MCU.

SCI — See "serial communication interface module (SCI)."

serial — Pertaining to sequential transmission over a single line.

- serial communications interface module (SCI)** — A module in the M68HC08 Family that supports asynchronous communication.
- serial peripheral interface module (SPI)** — A module in the M68HC08 Family that supports synchronous communication.
- set** — To change a bit from logic 0 to logic 1; opposite of clear.
- shift register** — A chain of circuits that can retain the logic levels (logic 1 or logic 0) written to them and that can shift the logic levels to the right or left through adjacent circuits in the chain.
- signed** — A binary number notation that accommodates both positive and negative numbers. The most significant bit is used to indicate whether the number is positive or negative, normally logic 0 for positive and logic 1 for negative. The other seven bits indicate the magnitude of the number.
- software** — Instructions and data that control the operation of a microcontroller.
- software interrupt (SWI)** — An instruction that causes an interrupt and its associated vector fetch.
- SPI** — See "serial peripheral interface module (SPI)."
- stack** — A portion of RAM reserved for storage of CPU register contents and subroutine return addresses.
- stack pointer (SP)** — A 16-bit register in the CPU08 containing the address of the next available storage location on the stack.
- start bit** — A bit that signals the beginning of an asynchronous serial transmission.
- status bit** — A register bit that indicates the condition of a device.
- stop bit** — A bit that signals the end of an asynchronous serial transmission.
- subroutine** — A sequence of instructions to be used more than once in the course of a program. The last instruction in a subroutine is a return from subroutine (RTS) instruction. At each place in the main program where the subroutine instructions are needed, a jump or branch to subroutine (JSR or BSR) instruction is used to call the subroutine. The CPU leaves the flow of the main program to execute the instructions in the subroutine. When the RTS instruction is executed, the CPU returns to the main program where it left off.
- synchronous** — Refers to logic circuits and operations that are synchronized by a common reference signal.
- TIM** — See "timer interface module (TIM)."

timer interface module (TIM) — A module used to relate events in a system to a point in time.

timer — A module used to relate events in a system to a point in time.

toggle — To change the state of an output from a logic 0 to a logic 1 or from a logic 1 to a logic 0.

tracking mode — Mode of low-jitter PLL operation during which the PLL is locked on a frequency. Also see "acquisition mode."

two's complement — A means of performing binary subtraction using addition techniques. The most significant bit of a two's complement number indicates the sign of the number (1 indicates negative). The two's complement negative of a number is obtained by inverting each bit in the number and then adding 1 to the result.

unbuffered — Utilizes only one register for data; new data overwrites current data.

unimplemented memory location — A memory location that is not used. Writing to an unimplemented location has no effect. Reading an unimplemented location returns an unpredictable value. Executing an opcode at an unimplemented location causes an illegal address reset.

V — The overflow bit in the condition code register of the CPU08. The CPU08 sets the V bit when a two's complement overflow occurs. The signed branch instructions BGT, BGE, BLE, and BLT use the overflow bit.

variable — A value that changes during the course of program execution.

VCO — See "voltage-controlled oscillator."

vector — A memory location that contains the address of the beginning of a subroutine written to service an interrupt or reset.

voltage-controlled oscillator (VCO) — A circuit that produces an oscillating output signal of a frequency that is controlled by a dc voltage applied to a control input.

waveform — A graphical representation in which the amplitude of a wave is plotted against time.

wired-OR — Connection of circuit outputs so that if any output is high, the connection point is high.

word — A set of two bytes (16 bits).

write — The transfer of a byte of data from the CPU to a memory location.

X — The lower byte of the index register (H:X) in the CPU08.

Z — The zero bit in the condition code register of the CPU08. The CPU08 sets the zero bit when an arithmetic operation, logical operation, or data manipulation produces a result of \$00.

Revision History

15.4 Major Changes Between Revision 1.0 and Revision 0.0

The following table lists the major changes between the current revision of the MC68HC11P2 Technical Data Book, Rev 1.0, and the previous revision, Rev 0.0.

Section affected	Page number	Description of change
General Description	19	SCI2 pins TXD2 and RXD2 corrected to PH7 and PH6 SCI3 pins TXD3 and RXD3 corrected to PH5 and PH4
Pin Descriptions	35	
	22	
Parallel Input/Output	82	
Serial Communications Interface (SCI)	104	
Motorola Interconnect Bus (MI BUS)	110	
Mechanical Data	248	
Electrical Specifications	246	Min and max columns added to EPROM Characteristics

Revision History

HOW TO REACH US:

USA/EUROPE/LOCATIONS NOT LISTED:

Motorola Literature Distribution;
P.O. Box 5405, Denver, Colorado 80217
1-303-675-2140 or 1-800-441-2447

JAPAN:

Motorola Japan Ltd.; SPS, Technical Information Center,
3-20-1, Minami-Azabu Minato-ku, Tokyo 106-8573 Japan
81-3-3440-3569

ASIA/PACIFIC:

Motorola Semiconductors H.K. Ltd.;
Silicon Harbour Centre, 2 Dai King Street,
Tai Po Industrial Estate, Tai Po, N.T., Hong Kong
852-26668334

TECHNICAL INFORMATION CENTER:

1-800-521-6274

HOME PAGE:

<http://www.motorola.com/semiconductors>

Information in this document is provided solely to enable system and software implementers to use Motorola products. There are no express or implied copyright licenses granted hereunder to design or fabricate any integrated circuits or integrated circuits based on the information in this document.

Motorola reserves the right to make changes without further notice to any products herein. Motorola makes no warranty, representation or guarantee regarding the suitability of its products for any particular purpose, nor does Motorola assume any liability arising out of the application or use of any product or circuit, and specifically disclaims any and all liability, including without limitation consequential or incidental damages. "Typical" parameters which may be provided in Motorola data sheets and/or specifications can and do vary in different applications and actual performance may vary over time. All operating parameters, including "Typicals" must be validated for each customer application by customer's technical experts. Motorola does not convey any license under its patent rights nor the rights of others. Motorola products are not designed, intended, or authorized for use as components in systems intended for surgical implant into the body, or other applications intended to support or sustain life, or for any other application in which the failure of the Motorola product could create a situation where personal injury or death may occur. Should Buyer purchase or use Motorola products for any such unintended or unauthorized application, Buyer shall indemnify and hold Motorola and its officers, employees, subsidiaries, affiliates, and distributors harmless against all claims, costs, damages, and expenses, and reasonable attorney fees arising out of, directly or indirectly, any claim of personal injury or death associated with such unintended or unauthorized use, even if such claim alleges that Motorola was negligent regarding the design or manufacture of the part.



Motorola and the Stylized M Logo are registered in the U.S. Patent and Trademark Office. digital dna is a trademark of Motorola, Inc. All other product or service names are the property of their respective owners. Motorola, Inc. is an Equal Opportunity/Affirmative Action Employer.

© Motorola, Inc. 2002

MC68HC11P2/D