

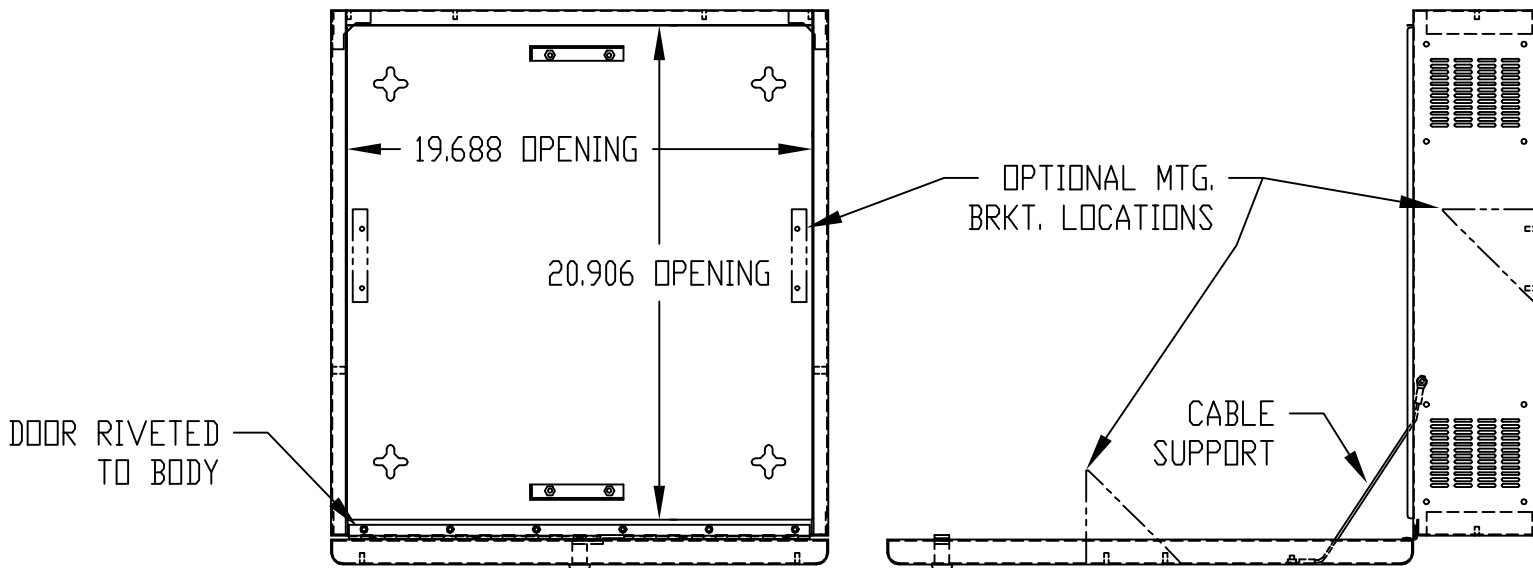
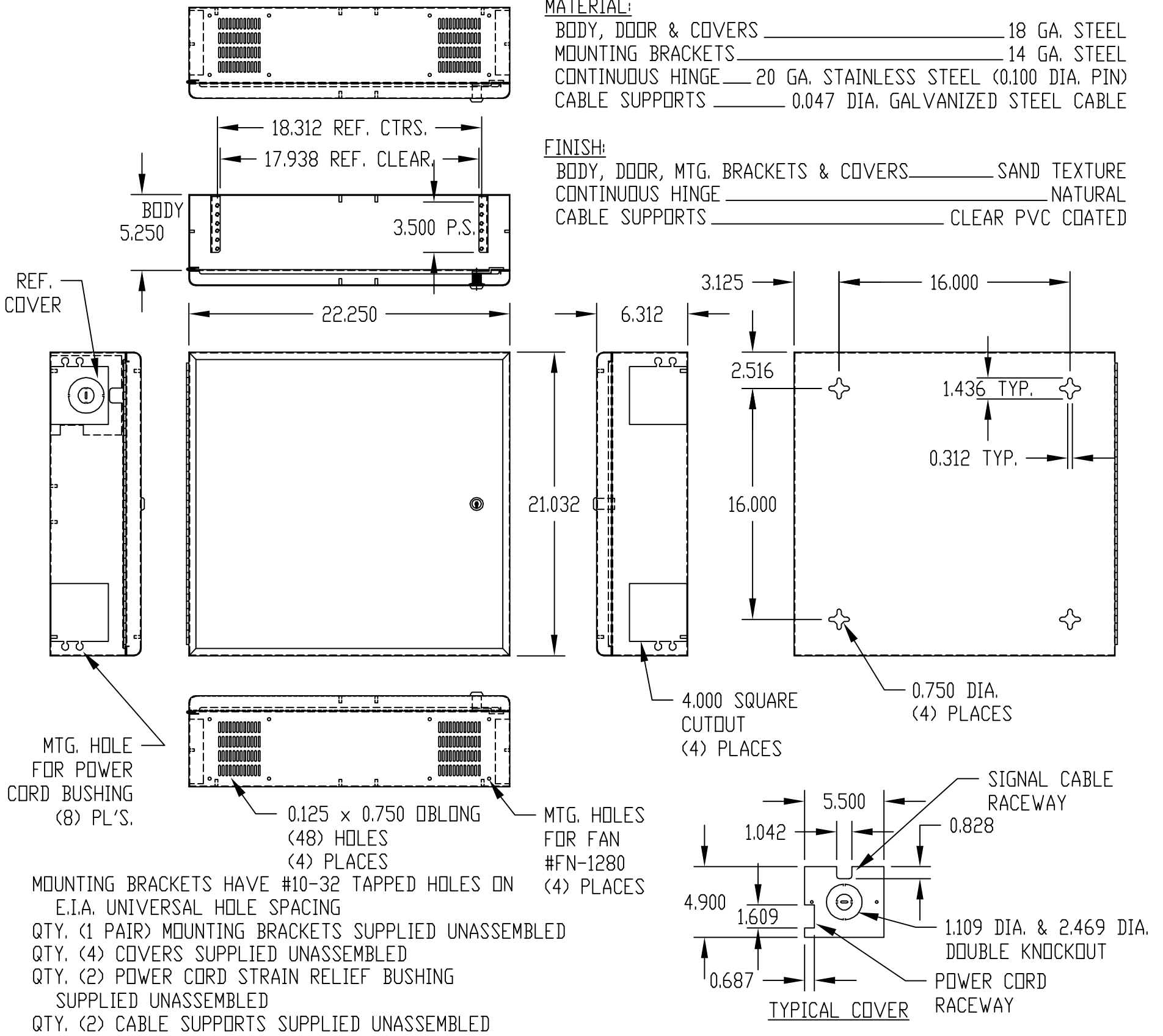
PART NAME	UNIVERSAL NETWORKING CABINET	PART No.	UN-8080	REV. DATE	12-7-05
-----------	------------------------------	----------	---------	-----------	---------

MATERIAL:

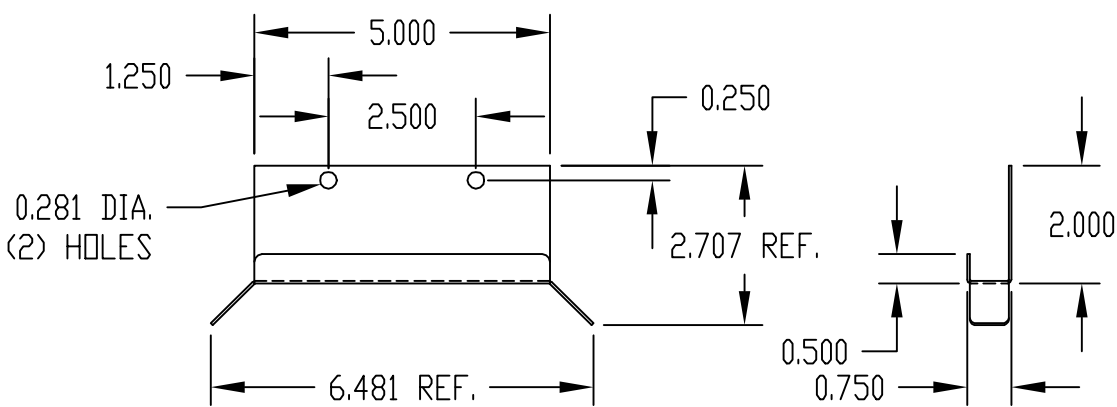
BODY, DOOR & COVERS _____ 18 GA. STEEL
 MOUNTING BRACKETS _____ 14 GA. STEEL
 CONTINUOUS HINGE _____ 20 GA. STAINLESS STEEL (0.100 DIA. PIN)
 CABLE SUPPORTS _____ 0.047 DIA. GALVANIZED STEEL CABLE

FINISH:

BODY, DOOR, MTG. BRACKETS & COVERS _____ SAND TEXTURE
 CONTINUOUS HINGE _____ NATURAL
 CABLE SUPPORTS _____ CLEAR PVC COATED



PART NAME	CABLE REEL	PART No.	UN-8086	PART No.	
-----------	------------	----------	---------	----------	--



SUPPLIED IN PAIRS WITH QTY. (4)
 #10-32 KEPS NUTS FOR MOUNTING

MATERIAL: 18 GA. STEEL
 FINISH: SAND TEXTURE