

PRELIMINARY

MITSUBISHI LASER DIODES
ML9XX25 SERIES

980nm High Power Laser Diode

**TYPE
NAME**

ML9xx25 (1480nm High Power LD)

DESCRIPTION

ML9xx25 series are InGaAsP high power laser diodes which provide a stable, single transverse mode oscillation with emission wavelength of 1480nm and standard continuous light output of 200mW .

FEATURES

- High Power (CW 200mW)
- 1480nm typical emission wavelength
- High reliability, long operation life
- MQW*- Fabry - Perot Laser

* Multiple Quantum Well

APPLICATION

- Er-doped fiber amplifier

ABSOLUTE MAXIMUM RATINGS

Symbol	Parameter	Conditions	Ratings	Unit
P _o	Light output power	CW	220	mW
I _F	Forward current	CW	80.0	mA
V _R	Reverse voltage	-	2	V
T _c	Case temperature	-	+ 20 ~ +30	deg.C
T _{stg}	Storage temperature	-	- 40 ~ +100	deg.C

ELECTRICAL/OPTICAL CHARACTERISTICS (T_c=25deg.C)

Symbol	Parameter	Test conditions	Min.	Typ.	Max	Unit
I _{th}	Threshold current	CW	-	20	40	mA
I _{op}	Operation current	CW, P _o =200mW	-	520	650	mA
V _{op}	Operating voltage	CW, P _o =200mW	-	1.5	2.0	V
λ _c	Center wavelength	CW, P _o =200mW	1460	1475	1490	nm
Δλ	Spectral width (RMS , -20dB)	CW, P _o =200mW, RMS	-	3	10	nm
θ _{//}	Beam divergence angle (parallel)	CW, P _o =200mW	-	25	30	deg.
θ _⊥	Beam divergence angle (perpendicular)	CW, P _o =200mW	-	30	35	deg.

PRELIMINARY

MITSUBISHI LASER DIODES
ML9XX25 SERIES
1480nm High Power Laser Diode

TYPICAL CHARACTERISTICS

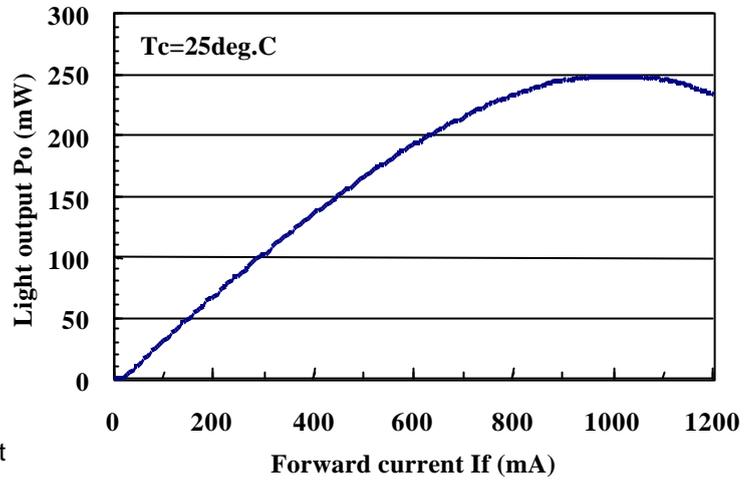


Fig.1 Light output vs. forward current

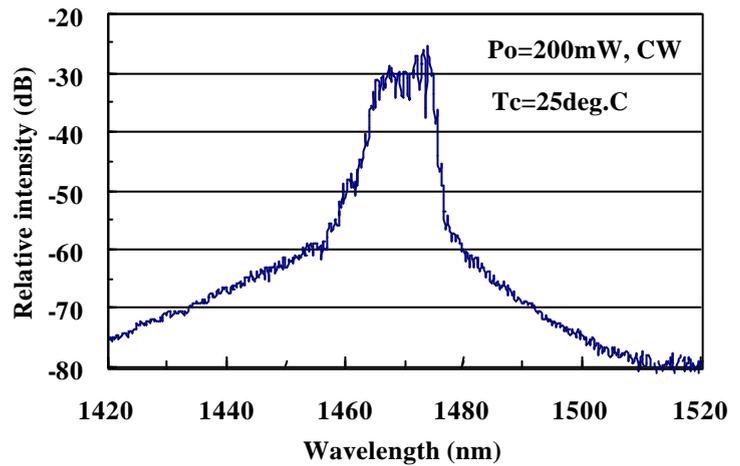


Fig.2 Spectrum

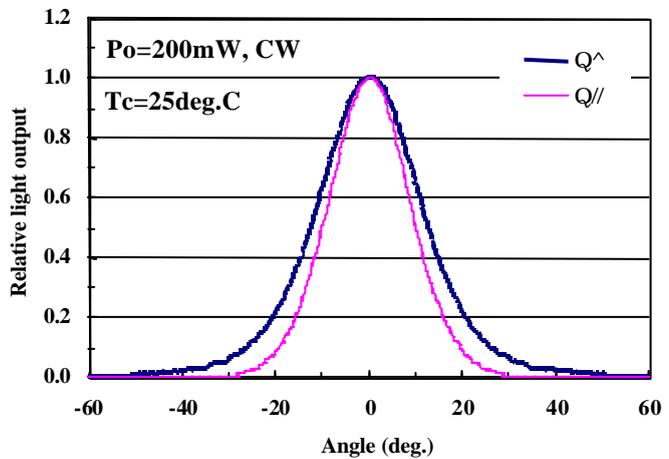


Fig.3 Far field pattern

PRELIMINARY

MITSUBISHI LASER DIODES

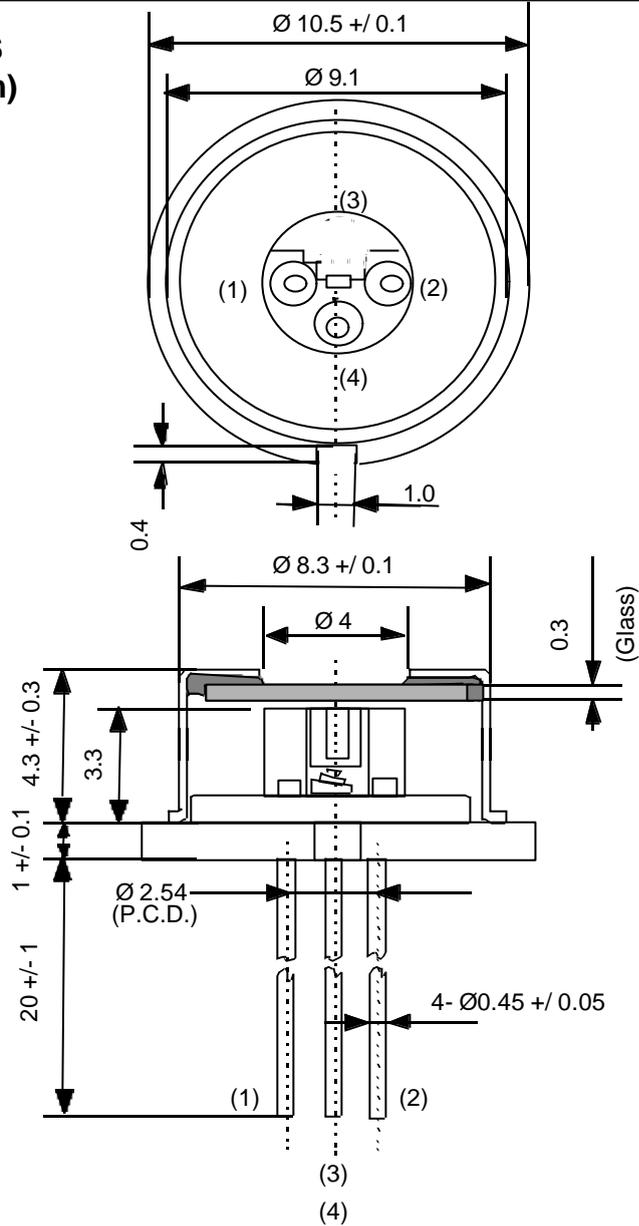
ML9XX25 SERIES

1480nm High Power Laser Diode

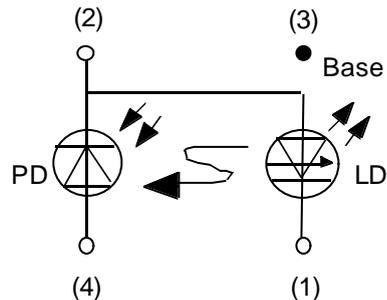
TYPE
NAME

ML961B25S

OUTLINE DRAWINGS
(Dimension in mm)



LEAD CONNECTION



PRELIMINARY

MITSUBISHI LASER DIODES

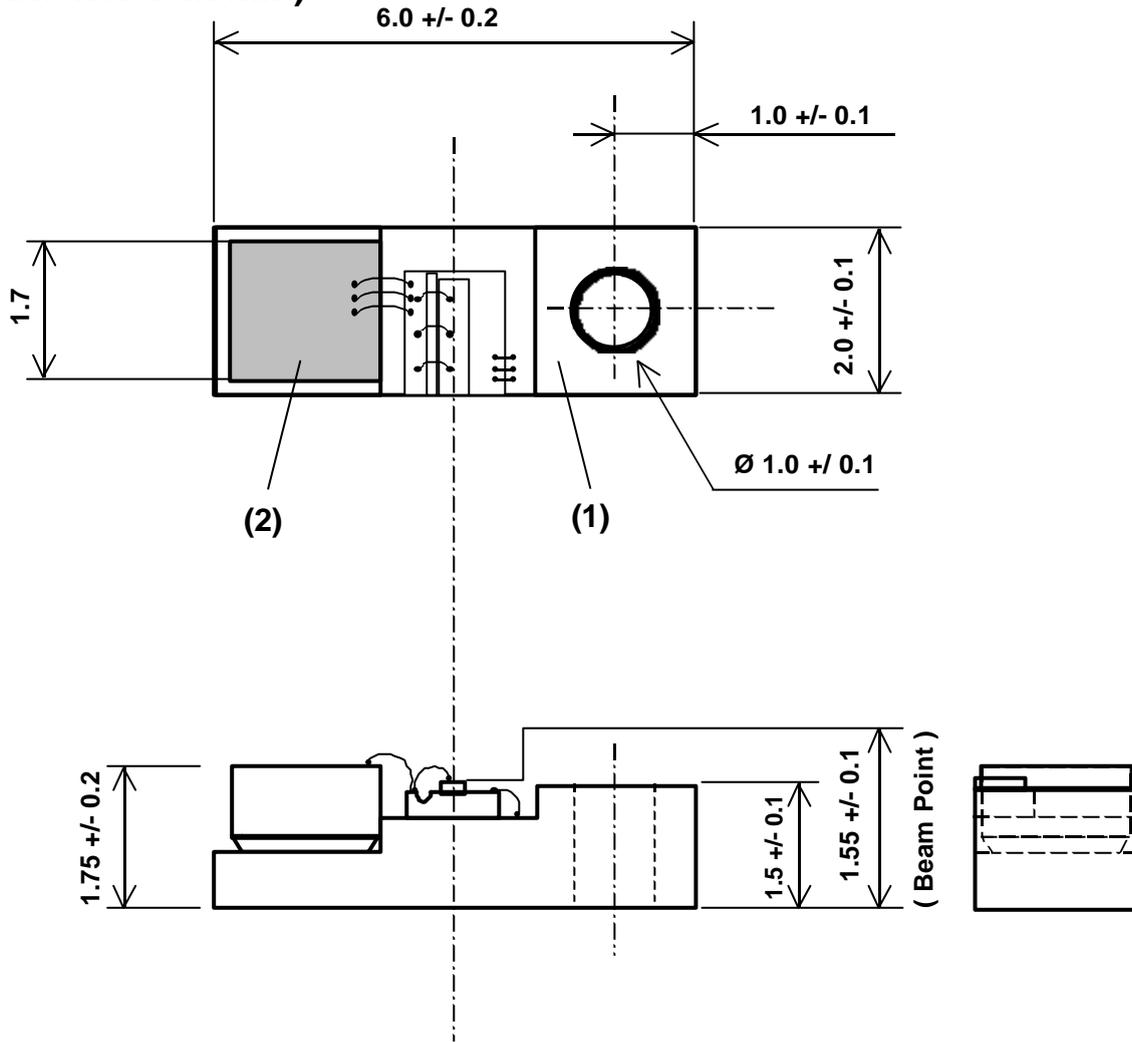
ML9XX25 SERIES

1480nm High Power Laser Diode

TYPE
NAME

ML99225

OUTLINE DRAWINGS (Dimension in mm)



LEAD CONNECTION

