

**PLEASE CHECK WWW.MOLEX.COM FOR LATEST PART INFORMATION**

**Part Number:** [0850421330](#)  
**Status:** **Active**  
**Overview:** [din\\_41612](#)  
**Description:** 2.54mm (.100") Pitch DIN 41612 Receptacle, Style C/2, 48 Circuits

**Documents:**

[3D Model](#) [RoHS Certificate of Compliance \(PDF\)](#)  
[Drawing \(PDF\)](#)

**Agency Certification**

CSA LR19980  
 UL E29179

**General**

Product Family Backplane Connectors  
 Series [85042](#)  
 Application Daughtercard  
 Component Type PCB Receptacle  
 Overview [din\\_41612](#)  
 Product Name IEC 603-2/DIN 41612  
 Style C/2

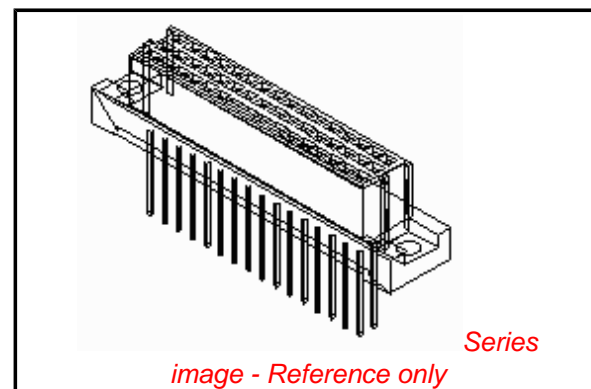
**Physical**

Circuits (Loaded) 48  
 Circuits (maximum) 48  
 Circuits Detail Rows A, B, & C  
 Durability (mating cycles max) 500  
 First Mate / Last Break No  
 Flammability 94V-0  
 Guide to Mating Part No  
 Keying to Mating Part Yes  
 Number of Columns 16  
 Number of Pairs Open Pin Field  
 Number of Rows 3  
 Orientation Vertical  
 PC Tail Length (in) 0.177 In  
 PC Tail Length (mm) 4.50 mm  
 PCB Locator No  
 PCB Retention Yes  
 Packaging Type Tray  
 Pitch - Mating Interface (in) 0.100 In  
 Pitch - Mating Interface (mm) 2.54 mm  
 Pitch - Term. Interface (in) 0.100 In  
 Pitch - Term. Interface (mm) 2.54 mm  
 Polarized to PCB Yes  
 Stackable No  
 Surface Mount Compatible (SMC) No  
 Temperature Range - Operating -55°C to +125°C

**Electrical**

Current - Maximum per Contact 1A  
 Data Rate 622.0 Mbps  
 Real Signals (per 25mm) 29  
 Shielded No  
 Voltage - Maximum 250V AC (RMS)

**Material Info**



**EU RoHS**

**ELV and RoHS  
 Compliant**  
**REACH SVHC**  
 Not Reviewed  
**Halogen-Free  
 Status**  
**Not Reviewed**

**China RoHS**



**Need more information on product  
 environmental compliance?**

Email [productcompliance@molex.com](mailto:productcompliance@molex.com)  
 For a multiple part number RoHS Certificate of  
 Compliance, [click here](#)

Please visit the [Contact Us](#) section for any  
 non-product compliance questions.

**Search Parts in this Series**

[85042Series](#)

**Mates With**

DIN 41612 Headers [85003](#) , [85013](#)

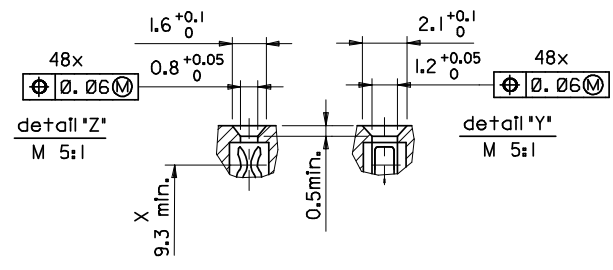
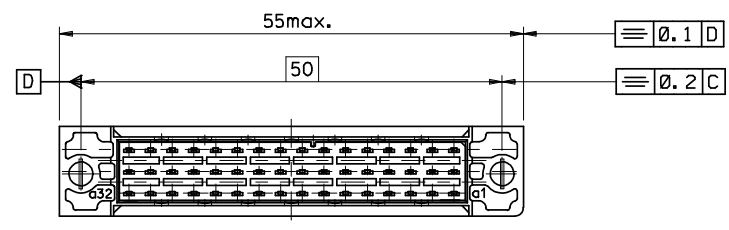
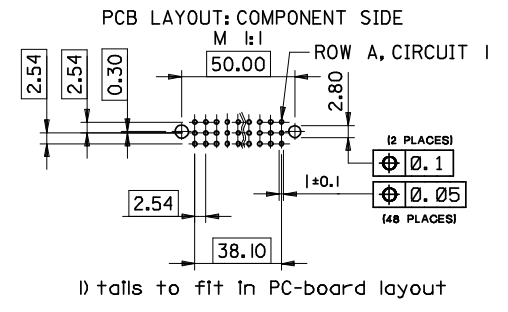
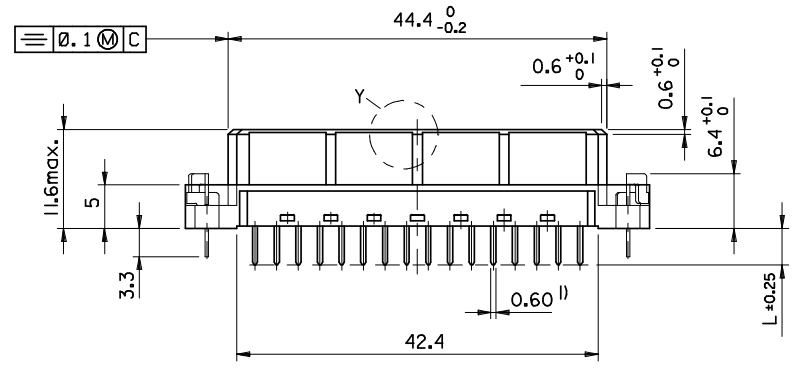
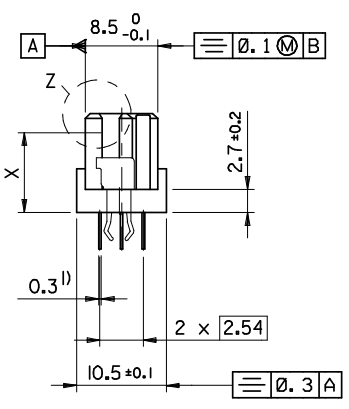
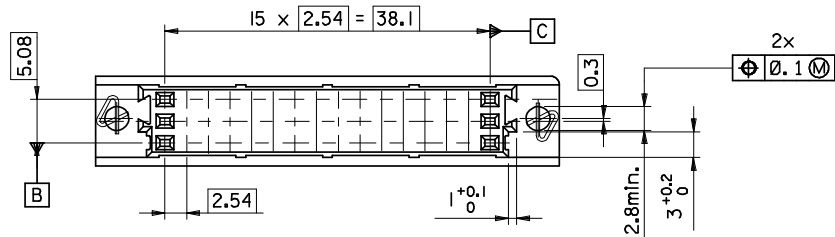
**Reference - Drawing Numbers**

Sales Drawing

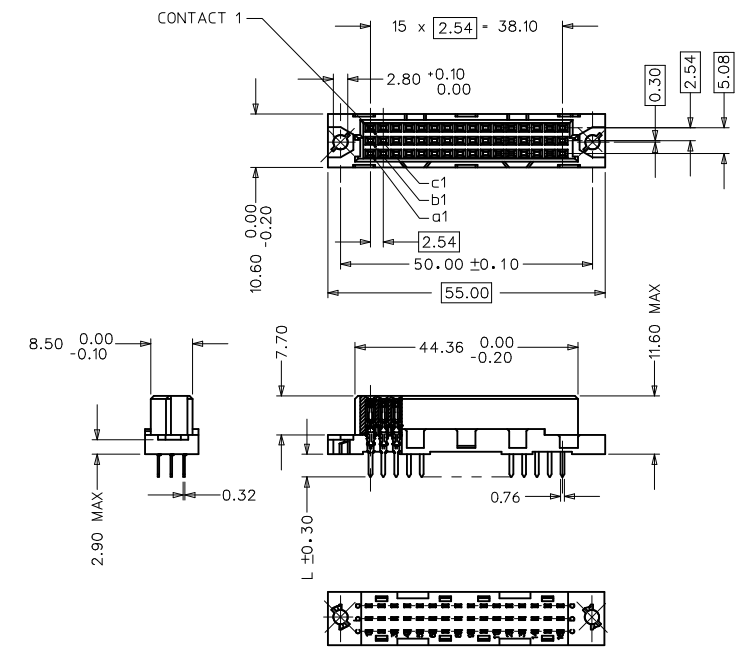
SD-85042-0002, SD-85042-002

This document was generated on 05/17/2010

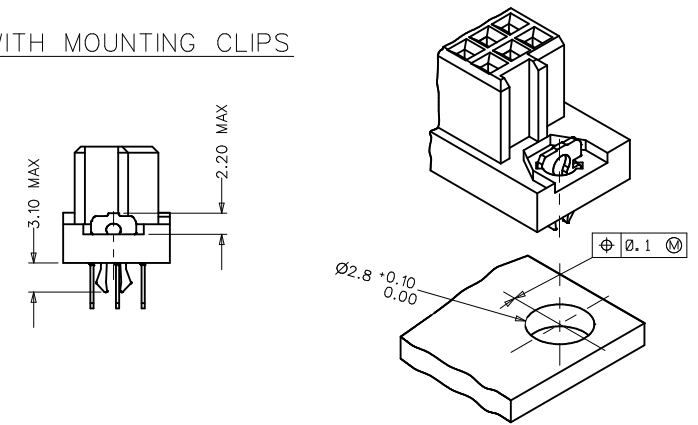
**PLEASE CHECK [WWW.MOLEX.COM](http://WWW.MOLEX.COM) FOR LATEST PART INFORMATION**



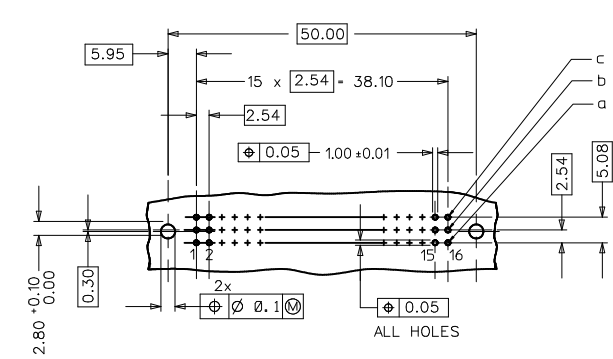
<b>ENTER DESCRIPTION</b> EC NO: 12009-008Z 2008/08/20 DRWNS:J CHKD:KPRASAD 2008/08/25 APPR:KPRASAD 2008/08/26	<b>QUALITY SYMBOLS</b> ▽=0 ▽=0	<b>GENERAL TOLERANCES (UNLESS SPECIFIED)</b>		<b>DIMENSION STYLE</b> MM ONLY	<b>SCALE</b> ---	<b>DESIGN UNITS</b> METRIC	THIRD ANGLE PROJECTION
		4 PLACES ±--- ±--- 3 PLACES ±--- ±--- 2 PLACES ±--- ±--- 1 PLACE ±--- ±--- ANGULAR ±---°	mm INCH ±--- ±--- ±--- ±--- ±--- ±--- ±--- ±---	DRAWN BY DATE SUMESH 2008/08/13	TITLE 48 POS. FEMALE CONNECTOR DIN 41612, STYLE C/2 DIMENSIONS		
<b>REVISIONS</b> C	<b>DESCRIPTION</b> DRAFT WHERE APPLICABLE MUST REMAIN WITHIN DIMENSIONS	APPROVED BY DATE KPRASAD 2008/08/13		MATERIAL NO. 850426115	DOCUMENT NO. SD-85042-0002	SHEET NO. 1 OF 1	
		THIS DRAWING CONTAINS INFORMATION THAT IS PROPRIETARY TO MOLEX INCORPORATED AND SHOULD NOT BE USED WITHOUT WRITTEN PERMISSION					



WITH MOUNTING CLIPS



RECOMMENDED PCB LAYOUT  
COMPONENT SIDE



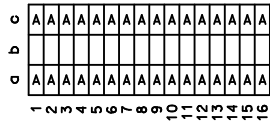
- NOTES:
- 1) MATERIALS: THERMOPLASTIC POLYESTER, GLASS FILLED, UL94V-0, COLOUR: PEBBLE GREY RAL 7032  
TERMINAL - PHOSPHOR BRONZE  
MOUNTING CLIP: STEEL
  - 2) FINISH: TERMINAL:-  
CONTACT AREA:  
1. PERFORMANCE LEVEL 1: SELECTIVE GOLD (Au), THICKNESS = 1.1 MICROMETER OVER NICKEL, THICKNESS = 1.5 MICROMETER  
2. PERFORMANCE LEVEL 2: SELECTIVE GOLD (Au), THICKNESS = 0.6 MICROMETER OVER NICKEL, THICKNESS = 1.5 MICROMETER  
3. PERFORMANCE LEVEL 3: SELECTIVE GOLD (Au), THICKNESS = 0.3 MICROMETER OVER NICKEL, THICKNESS = 1.5 MICROMETER  
TERMINATION AREA:  
SELECTIVE TIN, THICKNESS = 5 MICROMETER OVER NICKEL, THICKNESS = 1.5 MICROMETER OVERALL
  - 3) MOUNTING CLIP:-  
TIN (Sn), THICKNESS = 5-10 MICROMETER, OVER NICKEL (Ni), THICKNESS = 2.5 MICROMETER
  - 4) FOR NON MOUNTING CLIP OPTION, CONNECTOR TO BE SECURED WITH RIVETS: 2 TUBULAR RIVETS 2.5 x 0.3 ... DIN 7340  
SCREWS: 2 CHEESEHEAD SCREWS M2.5 x ... DIN 84 AND 2 HEXAGONAL NUTS M2.5 DIN 934
  - 5) MATERIAL No, BATCH CODE, UL AND CSA MARKING TO BE PRINTED ON THE CONNECTOR.
  - 6) CUT FACES OF TIP WITHOUT PLATING PERMITTED.
  - 7) PRODUCT SPECIFICATION PS-85042-0001

RoHS COMPLIANT

ENTER DESCRIPTION EC NO: 2070-0293 DRAWN BY: DR. VIKRAM KUMAR 20/10/01/27 CHKD BY: CHOKKIPRASAD APPR: KPRASAD 20/10/03/11	QUALITY SYMBOLS ▽=0 ▽=0	GENERAL TOLERANCES (UNLESS SPECIFIED)	DIMENSION STYLE MM ONLY	SCALE 1:1	DESIGN UNITS METRIC	THIRD ANGLE PROJECTION
		4 PLACES ± --- ± --- 3 PLACES ± 0.005 ± --- 2 PLACES ± 0.1 ± --- 1 PLACE ± 0.15 ± --- ANGULAR ± 2 °	DRAWN BY DATE SHANKAR 2006/04/25 CHECKED BY DATE SSUDHIR 2006/04/25 APPROVED BY DATE SSUDHIR 2006/04/25	TITLE ASSY DIN41612 C/2 FEMALE 48 POS 1.0MM PCB DIA	MATERIAL NO.	DOCUMENT NO.
B1	DRAFT WHERE APPLICABLE MUST REMAIN WITHIN DIMENSIONS	SEE SHEET 2	Molex MOLEX INCORPORATED		SD-85042-002	1 OF 2
		THIS DRAWING CONTAINS INFORMATION THAT IS PROPRIETARY TO MOLEX INCORPORATED AND SHOULD NOT BE USED WITHOUT WRITTEN PERMISSION				

MATERIAL No	MOLEX ENG No	PERF LEVEL	PLATING	CONTACT SEQUENCE/ROW	DIM "L" mm	MOUNTING CLIP	FLUX PROOF
850424294	85042-4294	2	Au+Ni	1.2.3....16 a+b+c	2.9	YES	NO
850429025	85042-9025	2	Au+Ni	1.2.3....16 a+b+c	4.5	YES	NO
850420048	85042-0048	2	Au+Ni	1.2.3....16 a+c	4.5	NO	NO
850420086	85042-0086	2	Au+Ni	1.2.3....16 a+b+c	4.5	NO	NO
850421184	85042-1184	1	Au+Ni	1.2.3....16 a+b+c	2.9	NO	YES
850421330	85042-1330	1	Au+Ni	1.2.3....16 a+b+c	4.5	NO	NO
850424268	85042-4268	2	Au+Ni	1.2.3....16 a+b+c	2.9	NO	NO
850424282	85042-4282	2	Au+Ni	1.2.3....16 a+c	2.9	YES	NO
850426098	85042-6098	3	Au+Ni	1.2.3....16 a+b+c	2.9	NO	NO
850429022	85042-9022	2	Au+Ni	1.2.3....16 a+c	2.9	YES	NO

View on mating side



View on mating side



RoHS COMPLIANT

<b>ENTER DESCRIPTION</b> IEC NO: 2090-0293 2009/12/04 DRAWN BY: DRWINRUKUMAR 2010/01/27 CHKDRPRASAD 2010/03/11 APPR:KPRASAD	<b>QUALITY SYMBOLS</b> ▽=0 ▽=0	<b>GENERAL TOLERANCES (UNLESS SPECIFIED)</b>		<b>DIMENSION STYLE</b> <b>MM ONLY</b>		SCALE ---	DESIGN UNITS <b>METRIC</b>	<input checked="" type="checkbox"/> THIRD ANGLE PROJECTION	
		4 PLACES ±--- ±--- 3 PLACES ±--- ±--- 2 PLACES ±--- ±--- 1 PLACE ±--- ±---	mm    INCH	DRAWN BY SHANKAR	DATE 2006/04/25	<b>TITLE</b> ASSY DIN41612 C/2 FEMALE 48 POS 1.0MM PCB DIA			
		DRAFT WHERE APPLICABLE MUST REMAIN WITHIN DIMENSIONS		<b>SEE CHART</b>		<b>MOLEX INCORPORATED</b>			
				MATERIAL NO. SD-85042-002		DOCUMENT NO. SD-85042-002			