

## 16V Driver Transistor Built-In Step-Down DC/DC Converters

## GENERAL DESCRIPTION

GreenOperation-compatible

XC9246/XC9247 series is a 16V step-down DC/DC converter with a built-in driver transistor. The series provides high efficiency, and a stable power supply with output currents up to 1A. The series is designed for use with small ceramic capacitors.

The series has a 1.0V reference voltage, and using externally connected resistors, the output voltage can be set freely. With an internal switching frequency of 1.2MHz, small external components can be used. The soft-start time is internally set to 1.5ms (TYP.), but can be adjusted to set a longer time using an external resistor and capacitor.

As for operation mode, the XC9246 series is PWM control and the XC9247 series is automatic PWM/PFM switching control.

In PWM/PFM switching control mode, provides fast response, low ripple and high efficiency over the full range of loads (from light load to heavy load).

With the UVLO (Under Voltage Lock Out) function, the internal driver transistor is forced OFF when input voltage becomes lower than detect voltage. The series includes current limit, thermal shutdown, and short-circuit protection.

Two types of package SOT-26W and USP-6C are available.

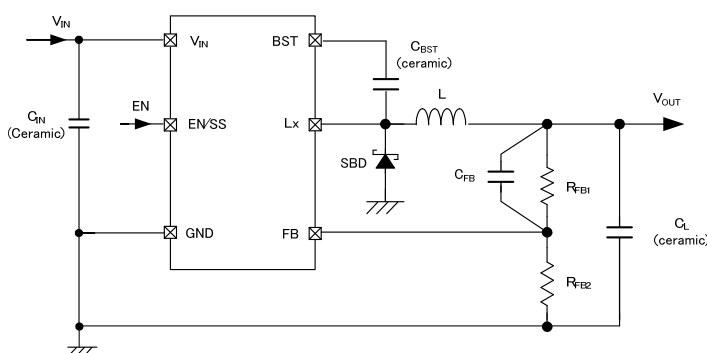
## APPLICATIONS

LCD-TVs  
BD/HDD recorders  
Set top box  
Home video game consoles  
Multifunction printers

## FEATURES

|                               |   |
|-------------------------------|---|
| Input Voltage                 | : 4.5V~16V<br>(The $V_{IN}$ range depends on the product)   |
| Output Voltage Range          | : 1.2V~5.6V ( $V_{FB}=1.0V$ )<br>(The $V_{OUT}$ range depends on the product)                                   |
| Output Current                | : 1A ( $V_{IN} \geq 6V$ and $V_{OUT}/V_{IN} \leq 50\%$ )<br>1A ( $V_{IN} < 6V$ and $V_{OUT}/V_{IN} \leq 40\%$ ) |
| Efficiency                    | : 90% ( $V_{IN}=12V$ , $V_{OUT}=5V$ , $I_{OUT}=200mA$ )   |
| Oscillation Frequency         | : 1.2MHz  |
| Maximum Duty Cycle            | : 80%   |
| Soft-start Time               | : Internally fixed 1.5ms<br>Adjustable by RC  |
| Control Methods               | : PWM Control (XC9246)<br>PWM/PFM Automatic switching control (XC9247)  |
| Protection Circuits           | : Current limiter (Integral Latching)<br>Thermal shutdown<br>Short-circuit protection                           |
| UVLO                          | : 4.15V, 5.65V, 7.65V   |
| Output Capacitor              | : Ceramic Capacitor Compatible  |
| Operating Ambient Temperature | : $-40^{\circ}C \sim +85^{\circ}C$  |
| Packages                      | : USP-6C, SOT-26W   |
| Environmentally Friendly      | : EU RoHS Compliant, Pb Free  |

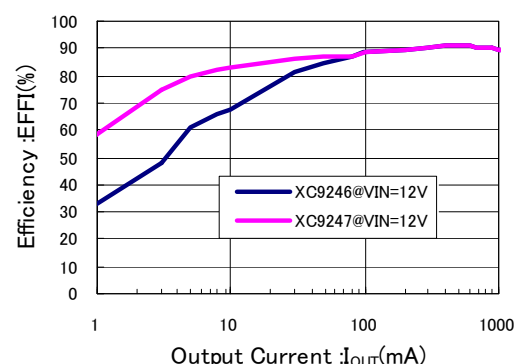
## TYPICAL APPLICATION CIRCUIT



## TYPICAL PERFORMANCE CHARACTERISTICS

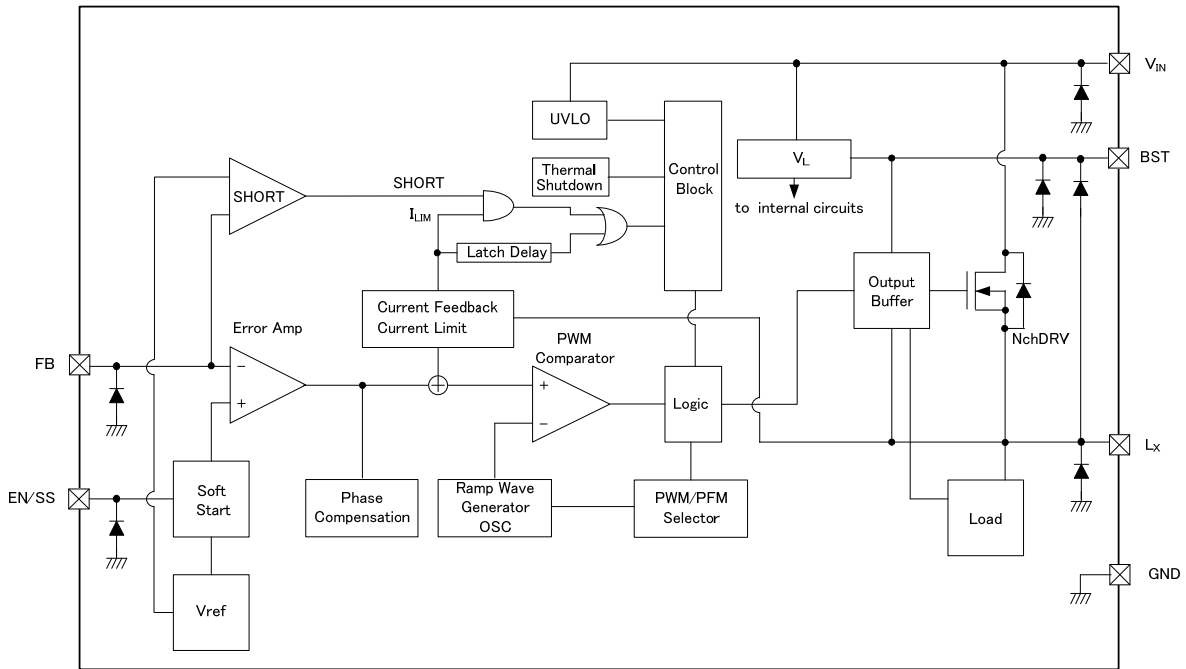
XC9246B75/XC9247B75 ( $V_{OUT}=5.0V$ )

$L=6.8\mu F$  (VLP4045LT-6R8M), SBD=XBS204S17R  
 $C_{IN}=10\mu F$  (TMK316BJ106KL),  $C_L=10\mu F \times 2$  (LMK212ABJ106KG)



# XC9246/XC9247 Series

## BLOCK DIAGRAM<sup>(\*1) (\*2) (\*3)</sup>



(\*1) Diodes inside the circuit are an ESD protection diode and a parasitic diode.

(\*2) The XC9246 offers a fixed PWM control, a Control Logic to PWM/PFM Selector is fixed internally.

(\*3) The XC9247 control scheme is a fixed PWM/PFM automatic switching, a Control Logic to PWM/PFM Selector is fixed internally.

## PRODUCT CLASSIFICATION

### Ordering Information

XC9246B - PWM Control

XC9247B - PWM/PFM Automatic switching control

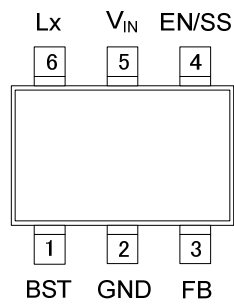
| DESIGNATOR           | ITEM                  | SYMBOL | DESCRIPTION   |
|----------------------|-----------------------|--------|---|
| ①②                   | UVLO Release Voltage  | 42     | 4.15V ( $1.2V \leq V_{OUT} \leq 2.7V$ )   |
|                      |                       | 65     | 5.65V ( $1.2V \leq V_{OUT} \leq 3.8V$ )   |
|                      |                       | 75     | 7.65V<br>(XC9246: $1.5V \leq V_{OUT} \leq 5.0V$ )<br>(XC9247: $1.5V \leq V_{OUT} \leq 5.6V$ ) |
| ③                    | Oscillation Frequency | C      | 1.2MHz  |
| ④⑤-⑥ <sup>(*1)</sup> | Packages (Order Unit) | ER-G   | USP-6C (3,000/Reel)   |
|                      |                       | MR-G   | SOT-26W (3,000/Reel)  |

(\*1) The "-G" suffix denotes Halogen and Antimony free as well as being fully RoHS compliant.

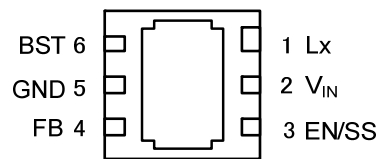
### ● Selection Guide

| TYPE | EN/SS | CURRENT LIMIT | LATCH | UVLO | THERMAL SHUTDOWN |
|------|-------|---------------|-------|------|------------------|
| B    | Yes   | Yes           | Yes   | Yes  | Yes              |

## PIN CONFIGURATION



SOT-26W  
( TOP VIEW )



USP-6C<sup>(\*1)</sup>  
( BOTTOM VIEW )

<sup>(\*1)</sup> The dissipation pad for the USP-6C package should be solder-plated in recommended mount pattern and metal masking so as to enhance mounting strength and heat release. If the pad needs to be connected to other pins, it should be connected to the GND (No. 5) pin.

## PIN ASSIGNMENT

| PIN NUMBER |        | PIN NAME        | FUNCTIONS              |
|------------|--------|-----------------|------------------------|
| SOT-26W    | USP-6C |                 |                        |
| 1          | 6      | BST             | Pre Driver Supply      |
| 2          | 5      | GND             | Ground                 |
| 3          | 4      | FB              | Output Voltage Monitor |
| 4          | 3      | EN/SS           | Enable Soft-start      |
| 5          | 2      | V <sub>IN</sub> | Power Input            |
| 6          | 1      | Lx              | Switching Output       |

## ■FUNCTION

| PIN NAME              | SIGNAL | STATUS   |
|-----------------------|--------|----------|
| EN/SS <sup>(*1)</sup> | L      | Stand-by |
|                       | H      | Active   |

<sup>(\*1)</sup> Please do not leave the EN/SS pin open.

## ■ ABSOLUTE MAXIMUM RATINGS

Ta=25

| PARAMETER                     |         | SYMBOL             | RATINGS   | UNITS |
|-------------------------------|---------|--------------------|---|-------|
| V <sub>IN</sub> Pin Voltage   |         | V <sub>IN</sub>    | -0.3~+22.0  | V     |
| BST Pin Voltage               |         | V <sub>BST</sub>   | -0.3~+22.0<br>and<br>Lx-0.3~Lx+6.0  | V     |
| FB Pin Voltage                |         | V <sub>FB</sub>    | -0.3~+6.0   | V     |
| EN/SS Pin Voltage             |         | V <sub>EN/SS</sub> | -0.3~+22.0  | V     |
| Lx Pin Voltage                |         | V <sub>LX</sub>    | -0.3~V <sub>IN</sub> +0.3 or V <sub>BST</sub> +0.3 or 22.0 <sup>(*)</sup> | V     |
| Lx Pin Current                |         | I <sub>LX</sub>    | 4000  | mA    |
| Power Dissipation             | SOT-26W | Pd                 | 250   | mW    |
|                               | USP-6C  |                    | 120   |       |
| Operating Ambient Temperature |         | Topr               | -40~+85   | °C    |
| Storage Temperature           |         | Tstg               | -55~+125  | °C    |

All voltages are described based on the AGND and PGND pin.

<sup>(\*)</sup> The maximum value is the lowest one among V<sub>IN</sub>+0.3V, V<sub>BST</sub> + 0.3V or +22V.

## ELECTRICAL CHARACTERISTICS

XC9246/XC9247 Series

Ta=25

| PARAMETER                                     | SYMBOL  | CONDITIONS  | MIN.              | TYP.                | MAX.               | UNITS           | CIRCUIT |
|---|---|---|-------------------|---------------------|--------------------|-----------------|---------|
| FB Voltage                                    | $V_{FB}$  | $V_{IN}=12V, V_{EN/SS}=5V, V_{FB}=0.9V \rightarrow 1.1V$<br>Voltage to start oscillation while  | D1 <sup>(1)</sup> |                     |                    | V               | ②       |
| Operating Voltage Range                       | $V_{IN}$  | -   | D2 <sup>(1)</sup> |                     |                    | V               | ①       |
| Maximum Output Current                        | $I_{OUTMAX}$  | -   | 1000              | -                   | -                  | mA              | ①       |
| UVLO Detection Voltage                        | $V_{UVLOD}$   | $V_{EN/SS}=5V, V_{FB}=0.9V$<br>Voltage which Lx pin holding "L" level <sup>(6)</sup>  | D3 <sup>(1)</sup> |                     |                    | V               | ②       |
| UVLO Release Voltage                          | $V_{UVLOR}$   | $V_{EN/SS}=5V, V_{FB}=0.9V$<br>Voltage to start oscillation while   | D4 <sup>(1)</sup> |                     |                    | V               | ②       |
| UVLO Hysteresis Voltage                       | $V_{UVLOHYS}$   | -   | D5 <sup>(1)</sup> |                     |                    | V               | -       |
| Supply Current                                | $I_q$   | $V_{IN}=12V, V_{EN/SS}=5V, V_{FB}=1.1V$   | -                 | 150                 | 300                | $\mu A$         | ③       |
| Stand-by Current                              | $I_{STB}$   | $V_{IN}=16V, V_{EN/SS}=0V$  | -                 | 6                   | 15                 | $\mu A$         | ③       |
| Oscillation Frequency                         | $f_{OSC}$   | $V_{IN}=12V, V_{EN/SS}=5V, V_{FB}=0.9V$   | 1020              | 1200                | 1380               | kHz             | ②       |
| Maximum Duty Cycle                            | $D_{MAX}$   | $V_{IN}=12V, V_{EN/SS}=5V, V_{FB}=0.9V$   | 72                | 80                  | 88                 | %               | ②       |
| Minimum Duty Cycle                            | $D_{MIN}$   | $V_{IN}=12V, V_{EN/SS}=5V, V_{FB}=1.1V$   | -                 | -                   | 0                  | %               | ②       |
| PFM Switch Current <sup>(2)</sup>             | $I_{PFM}$   | $V_{IN}=12V, V_{EN/SS}=5V, V_{OUT}=3.3V, I_{OUT}=10mA$<br>When connected to external components   | -                 | 300                 | -                  | mA              | ①       |
| PFM Duty Limit <sup>(2)</sup>                 | $DTY_{LIMIT\_PFM}$                                      | -   | -                 | 200                 | -                  | %               | ①       |
| Lx SW ON Resistance                           | $R_{Lx}$  | $V_{IN}=12V, V_{EN/SS}=5V, V_{FB}=0.9V$   | -                 | 0.35 <sup>(4)</sup> | 0.5 <sup>(4)</sup> | $\Omega$        | -       |
| Current Limit <sup>(5)</sup>                  | $I_{LIM}$   | $V_{IN}=12V, V_{EN/SS}=5V, V_{FB}=0.9V$   | 1600              | 2500                | -                  | mA              | ②       |
| Integral Latch Time                           | $t_{LAT}$   | $V_{IN}=12V, V_{EN/SS}=5V, V_{FB}=0.9V$   | 0.75              | 1.5                 | 3                  | ms              | ②       |
| Short Detect Voltage                          | $V_{SHORT}$   | Sweeping $V_{FB}$ , $V_{IN}=12V, V_{EN/SS}=5V$ ,<br>Short $V_{OUT}$ at 1 $\Omega$ Resistance, $V_{FB}$ voltage which<br>Lx becomes "L" level within 300 $\mu s$ | 0.3               | 0.5                 | 0.7                | V               | ④       |
| Internal Soft-start Time                      | $t_{SS1}$   | $V_{IN}=12V, V_{EN/SS}=0V \rightarrow 5V, V_{FB}=0.9V$  | 0.75              | 1.5                 | 3                  | ms              | ②       |
| External Soft-start Time                      | $t_{SS2}$   | $V_{IN}=12V, V_{EN/SS}=0V \rightarrow 5V, V_{FB}=0.9V$<br>$R_{SS}=120K\Omega, C_{SS}=0.47 \mu F$<br>When connected to external components                       | 18                | 26                  | 35                 | ms              | ⑤       |
| Efficiency                                    | EFFI  | Target Output Voltage=5.0V<br>$V_{IN}=12V, I_{OUT}=200mA$ <sup>(3)</sup>  | -                 | 90                  | -                  | %               | ①       |
| Output Voltage<br>Temperature Characteristics | $\Delta V_{OUT}/$<br>( $V_{OUT} \cdot \Delta T_{opr}$ ) | $I_{OUT}=100mA$<br>$-40^\circ C \leq T_{opr} \leq 85^\circ C$   | -                 | $\pm 100$           | -                  | ppm/ $^\circ C$ | ①       |
| Thermal Shutdown<br>Temperature               | $T_{TSD}$   | -   | -                 | 150                 | -                  | $^\circ C$      | -       |
| Hysteresis Width                              | $T_{HYS}$   | -   | -                 | 20                  | -                  | $^\circ C$      | -       |
| EN/SS "H" Voltage                             | $V_{EN/SSH}$  | $V_{IN}=12V, V_{FB}=V_{FB(E)}-10mV$ <sup>(7)</sup> ,<br>$V_{EN/SS}=5V \rightarrow 1V$ , Voltage to stop oscillation while                                       | -                 | 2.0                 | 2.5                | V               | ②       |
| EN/SS "L" Voltage                             | $V_{EN/SSL}$  | $V_{IN}=12V, V_{FB}=0V$<br>$V_{EN/SS}=5V \rightarrow 0V$ , Voltage to stop oscillation while  | 0.4               | -                   | -                  | V               | ②       |
| EN/SS "H" Current                             | $I_{EN/SSH}$  | $V_{IN}=V_{EN/SS}=16V$  | -                 | 7                   | 15                 | $\mu A$         | ⑥       |
| EN/SS "L" Current                             | $I_{EN/SSL}$  | $V_{IN}=12V, V_{EN/SS}=0V$  | -0.1              | -                   | 0.1                | $\mu A$         | ⑥       |
| FB "H" Current                                | $I_{FBH}$   | $V_{IN}=12V, V_{EN/SS}=0V, V_{FB}=5.5V$   | -0.1              | -                   | 0.1                | $\mu A$         | ⑥       |
| FB "L" Current                                | $I_{FBL}$   | $V_{IN}=12V, V_{EN/SS}=0V, V_{FB}=0V$   | -0.1              | -                   | 0.1                | $\mu A$         | ⑥       |
| Lx "L" Current                                | $I_{LXL}$   | $V_{IN}=16V, V_{EN/SS}=5V, V_{FB}=1.1V, V_{LX}=0V$  | -7.5              | -4                  | -                  | $\mu A$         | ⑦       |

Unless otherwise stated,  $V_{IN}=12V, V_{EN/SS}=5V$

<sup>(1)</sup> Please refer to SPEC Table below.

<sup>(2)</sup> As the XC9246 series work in the PWM control operation only,  $I_{PFM}$  and  $DTY_{LIMIT\_PFM}$  are not for XC9246 series.

<sup>(3)</sup>  $EFFI = [(output\ voltage \times output\ current) \div (input\ voltage \times input\ current)] \times 100$

<sup>(4)</sup> Design value

<sup>(5)</sup> Current limit denotes the level of detection at peak of coil current.

<sup>(6)</sup> "H"= $V_{IN} \sim V_{IN}-1.2V$ , "L"= $+0.1V \sim -0.1V$

<sup>(7)</sup>  $V_{FB(E)}$  is effective value of FB voltage.

## ELECTRICAL CHARACTERISTICS (Continued)

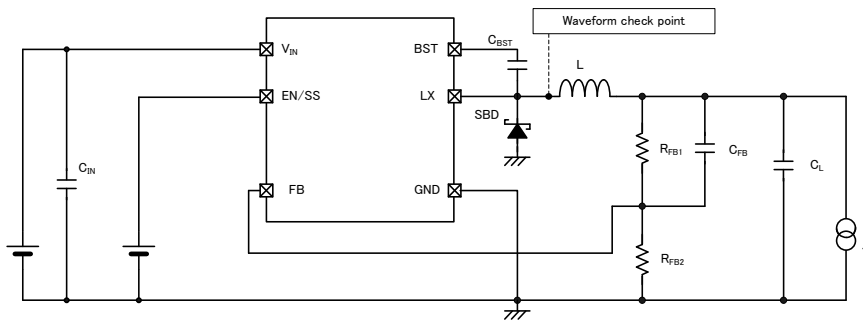
SPEC Table

| No. | PARAMETER  | SYMBOL   | SOT-26W |       |       | USP-6C |      |      | UNITS |
|-----|------------|----------|---------|-------|-------|--------|------|------|-------|
|     |            |          | MIN.    | TYP.  | MAX.  | MIN.   | TYP. | MAX. |       |
| D1  | FB Voltage | $V_{FB}$ | 0.985   | 1.000 | 1.015 | 0.98   | 1.00 | 1.02 | V     |

| No. | PARAMETER               | SYMBOL        | XC9246B42/XC9247B42 |      |      | XC9246B65/XC9247B65 |      |      | XC9246B75/XC9247B75 |      |      | UNITS |
|-----|-------------------------|---------------|---------------------|------|------|---------------------|------|------|---------------------|------|------|-------|
|     |                         |               | MIN.                | TYP. | MAX. | MIN.                | TYP. | MAX. | MIN.                | TYP. | MAX. |       |
| D2  | Operating Voltage Range | $V_{IN}$      | 4.5                 | -    | 16.0 | 6.0                 | -    | 16.0 | 8.0                 | -    | 16.0 | V     |
| D3  | UVLO Detection Voltage  | $V_{UVLOD}$   | 3.7                 | 4.0  | -    | 4.8                 | 5.5  | -    | 6.9                 | 7.4  | -    | V     |
| D4  | UVLO Release Voltage    | $V_{UVLOR}$   | -                   | 4.15 | 4.48 | -                   | 5.65 | 5.98 | -                   | 7.65 | 7.98 | V     |
| D5  | UVLO Hysteresis Voltage | $V_{UVLOHYS}$ | -                   | 0.12 | -    | -                   | 0.15 | -    | -                   | 0.25 | -    | V     |

■ TEST CIRCUITS

<Circuit No.①>

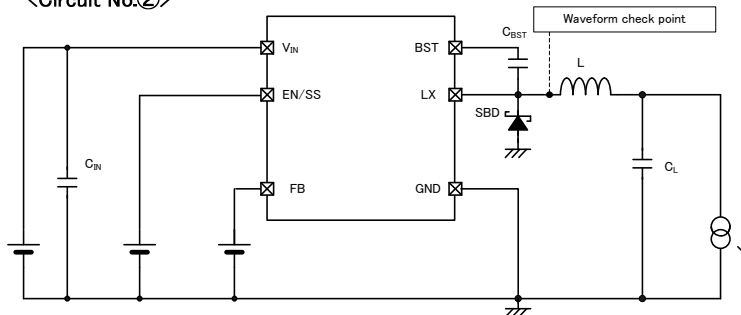


\* External components  
 $C_{IN}$ : 10  $\mu$ F (ceramic)  
 $C_L$ : 22  $\mu$ F (ceramic)  
 $C_L$ : 47  $\mu$ F (ceramic)<sup>(\*)</sup>  
 $C_{BST}$ : 0.22  $\mu$ F (ceramic)  
 $L$ : 4.7  $\mu$ H  
 SBD: XBS204S17R-G  
<sup>(\*)</sup> Output Voltage Temperature Characteristics

Target Output Voltage=3.3V  
 $R_{FB1}$ : 62k  $\Omega$   
 $R_{FB2}$ : 27k  $\Omega$   
 $C_{FB}$ : 130pF

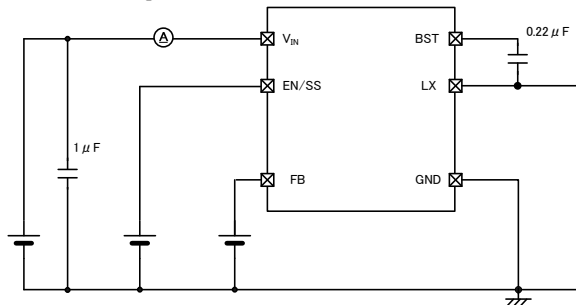
Target Output Voltage=5.0V  
 $R_{FB1}$ : 30k  $\Omega$   
 $R_{FB2}$ : 7.5k  $\Omega$   
 $C_{FB}$ : 270pF

<Circuit No.②>

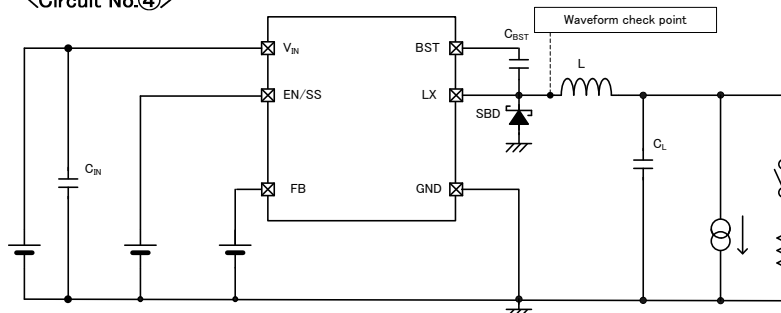


\* External components  
 $C_{IN}$ : 10  $\mu$ F (ceramic)  
 $C_L$ : 22  $\mu$ F (ceramic)  
 $C_{BST}$ : 0.22  $\mu$ F (ceramic)  
 $L$ : 4.7  $\mu$ H  
 SBD: XBS204S17R-G

<Circuit No.③>



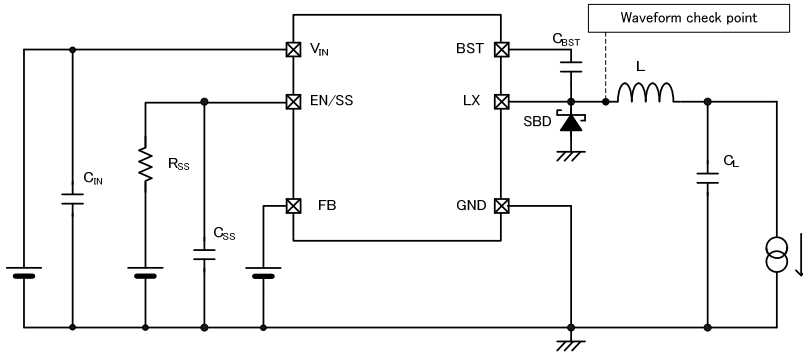
<Circuit No.④>



\* External components  
 $C_{IN}$ : 10  $\mu$ F (ceramic)  
 $C_L$ : 22  $\mu$ F (ceramic)  
 $C_{BST}$ : 0.22  $\mu$ F (ceramic)  
 $L$ : 4.7  $\mu$ H  
 SBD: XBS204S17R-G

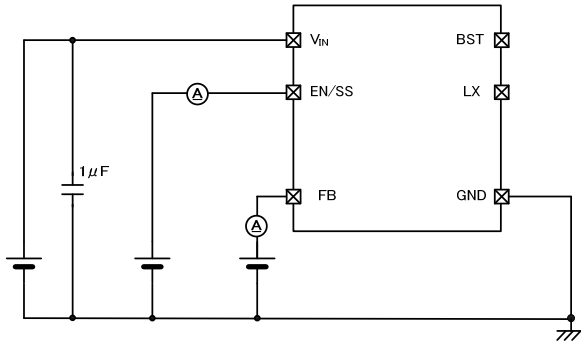
## TEST CIRCUITS (Continued)

<Circuit No.⑤>

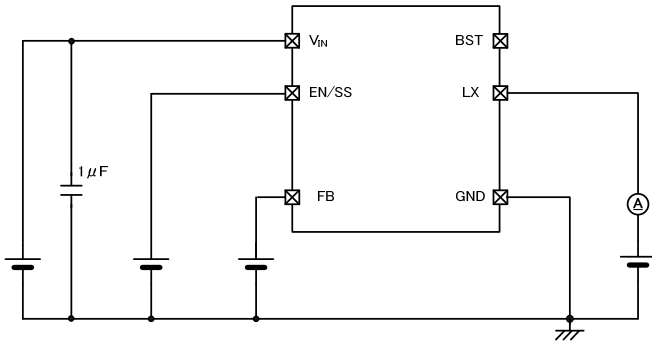


\* External components  
 $C_{IN}$ : 10  $\mu$ F (ceramic)  
 $C_L$ : 22  $\mu$ F (ceramic)  
 $C_{BST}$ : 0.22  $\mu$ F (ceramic)  
 $L$ : 4.7  $\mu$ H  
 SBD: XBS204S17R-G  
 $R_{SS}$ : 120k  $\Omega$   
 $C_{SS}$ : 0.47  $\mu$ F

<Circuit No.⑥>

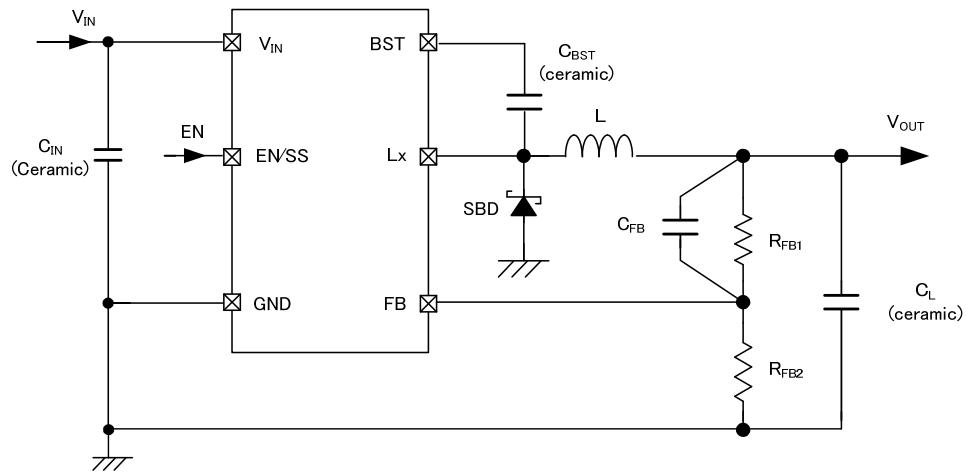


<Circuit No.⑦>





## TYPICAL APPLICATION CIRCUIT



### 【Typical Examples】

|                    | MANUFACTURER | PRODUCT NUMBER | VALUE                    |
|--------------------|--------------|----------------|--------------------------|
| L                  | Coilcraft    | XFL4020-332MEB | 3.3 $\mu$ H              |
|                    | Coilcraft    | XFL4020-472MEB | 4.7 $\mu$ H              |
|                    | TDK          | VLP4045LT-4R7M | 4.7 $\mu$ H              |
|                    | TDK          | VLP4045LT-6R8M | 6.8 $\mu$ H              |
| SBD <sup>(*)</sup> | TOREX        | XBS204S17R     | VF=0.42V(1A)             |
|                    | TOREX        | XBS203V17R     | VF=0.305V(1A)            |
|                    | SHINDENGEN   | D1FJ4          | VF=0.48V(1A)             |
|                    | VISHAY       | SS2P3L         | VF=0.45V(2A)             |
|                    | TOSHIBA      | CMS17          | VF=0.42V(1A)             |
| C <sub>IN</sub>    | TDK          | C2012X5R1E106K | 10 $\mu$ F/25V           |
|                    | TAIYO YUDEN  | TMK316BJ106KL  | 10 $\mu$ F/25V           |
| C <sub>L</sub>     | TDK          | C2012X5R1A106K | 10 $\mu$ F/10V 2parallel |
|                    | TAIYO YUDEN  | LMK212ABJ106KG | 10 $\mu$ F/10V 2parallel |
| C <sub>BST</sub>   |              |                | 0.22 $\mu$ F/10V         |

<sup>(\*)</sup> The Inter-Terminal Capacitance of the schottky barrier diode should be around 180pF.  
Ct Test Conditions: f=1MHz, V<sub>R</sub>=1V

### 【Recommended L Value and V<sub>OUT</sub> Range】

| V <sub>OUT</sub>                         | Recommended L Value <sup>(*)</sup> |             |
|--|------------------------------------|-------------|
| 1.2V $\leq$ V <sub>OUT</sub> $\leq$ 3.5V | 3.3 $\mu$ H                        | 4.7 $\mu$ H |
| 3.5V < V <sub>OUT</sub> $\leq$ 4.0V      | -                                  | 4.7 $\mu$ H |
| 4.0V < V <sub>OUT</sub> $\leq$ 5.6V      | -                                  | 6.8 $\mu$ H |

<sup>(\*)</sup> For the coil value (L), use a component with 20% accuracy or less.

## TYPICAL APPLICATION CIRCUIT (Continued)

### <Output Voltage Setting>

The output voltage can be set by connecting external dividing resistors. The output voltage is determined by the values of  $R_{FB1}$  and  $R_{FB2}$  as given in the equation below. The total of  $R_{FB1}$  and  $R_{FB2}$  should be less than 100k $\Omega$  or less. Output voltage range can be set freely from 1.2V to 5.6V with a 1.0V reference voltage. (The step down ratio is determined based on the version. Refer to the "Output voltage range classified by product" graph below.) However, it should be noted that the output voltage can not be stable when  $V_{IN}=16V$  and  $V_{OUT}=1.2V$  so please set the step down ration under the condition of  $V_{OUT}/V_{IN} \times 100 \geq 18\%$

$$V_{OUT} = 1.0 \times (R_{FB1} + R_{FB2}) / R_{FB2}$$

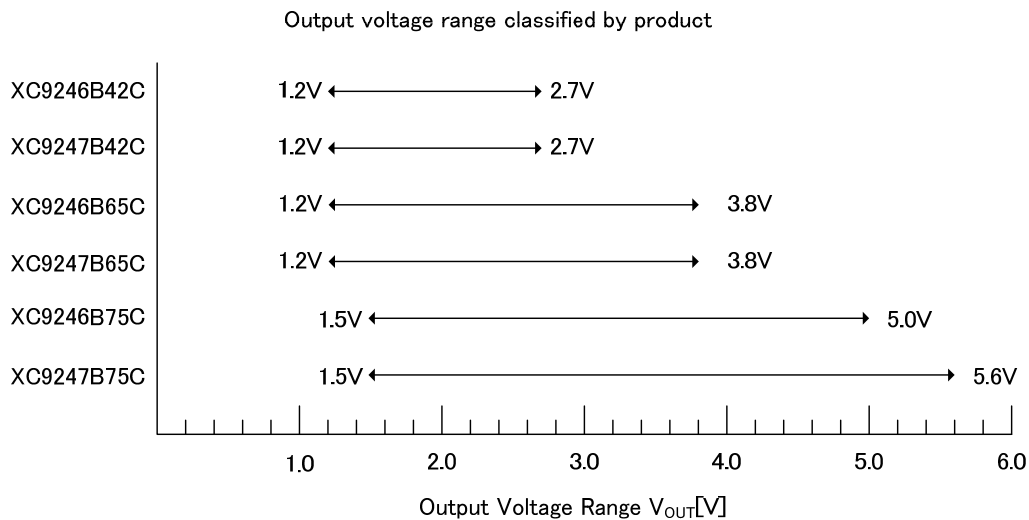
Adjust the value of the phase compensation speed-up capacitor  $C_{FB}$  so that  $f_{zfp} = 1 / (2 \times \pi \times C_{FB} \times R_{FB1})$  is about 20kHz. Adjustments are required from 10kHz to 50kHz depending on the application, value of inductance (L), and value of load capacitance ( $C_L$ ).

### 【Examples】

When  $R_{FB1}=30k\Omega$  and  $R_{FB2}=7.5k\Omega$ ,  $V_{OUT} = 1.0 \times (30k\Omega + 7.5k\Omega) / 7.5k\Omega = 5V$   
 When  $C_{FB}=270pF$ ,  $f_{zfb} = 1 / (2 \times \pi \times 270pF \times 30k\Omega) = 19.65kHz$

### 【Typical Examples】

| $V_{OUT}$ (V) | $R_{FB1}$ (k $\Omega$ ) | $R_{FB2}$ (k $\Omega$ ) | $C_{FB}$ (pF) | $V_{OUT}$ (V) | $R_{FB1}$ (k $\Omega$ ) | $R_{FB2}$ (k $\Omega$ ) | $C_{FB}$ (pF) |
|---------------|-------------------------|-------------------------|---------------|---------------|-------------------------|-------------------------|---------------|
| 1.2           | 15                      | 75                      | 510           | 2.5           | 36                      | 24                      | 220           |
| 1.5           | 18                      | 36                      | 430           | 3.0           | 36                      | 18                      | 220           |
| 1.8           | 24                      | 30                      | 330           | 3.3           | 62                      | 27                      | 130           |
| 2.0           | 47                      | 47                      | 160           | 5.0           | 30                      | 7.5                     | 270           |



## TYPICAL APPLICATION CIRCUIT (Continued)

### <C<sub>BST</sub> Setting>

0.22 μF is recommended for the C<sub>BST</sub> capacitance when C<sub>L</sub>=22 μF. Do not fix it at C<sub>BST</sub>=0.22 μF for all conditions but rather change it depending on the C<sub>L</sub> capacitance <sup>(\*)</sup>.

As a guideline, make it about C<sub>L</sub>:C<sub>BST</sub>=100:1.

<sup>(\*)</sup> Think of the C<sub>L</sub> capacitance as the total capacitance connected to the V<sub>OUT</sub> of XC9246/XC9247.

### 【CBST Optimum Settings】

| C <sub>L</sub> (μF)        | C <sub>BST</sub> (μF) |
|----------------------------|-----------------------|
| C <sub>L</sub> ≤ 22        | 0.22                  |
| 22 < C <sub>L</sub> ≤ 47   | 0.47                  |
| 47 < C <sub>L</sub> ≤ 100  | 1                     |
| 100 < C <sub>L</sub> ≤ 220 | 2.2                   |

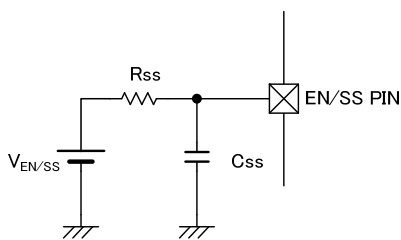
### <Soft-start Time Setting>

The V<sub>ref</sub> voltage applied to the error amplifier is restricted by the start-up voltage of the EN/SS pin. This ensures that the error amplifier operates with its two inputs in balance, thereby preventing ON-time signal from becoming longer than necessary. Therefore, start-up time of the EN/ESS pin becomes the set-time of soft-start. The soft-start time can be adjusted by adding a capacitor and a resistor to the EN/SS pin. If the EN/SS pin voltage rises steeply without connecting C<sub>SS</sub> and R<sub>SS</sub> (R<sub>SS</sub>=0 Ω), Output rises with taking the soft-start time of 1.5ms (TYP.) which is fixed internally. The soft-start function operates when the voltage at the EN/SS pin is between 0.4V to 2.5V. If the voltage at the EN/SS pin does not start from 0V but from a mid level voltage when the power is switched on, the soft-start function will become ineffective and the possibilities of large inrush currents and ripple voltages occurring will be increased. Soft-start time is approximated by the equation below according to values of V<sub>EN</sub>, R<sub>SS</sub>, and C<sub>SS</sub>.

$$t_{ss} = -C_{ss} \times R_{ss} \times \ln \{ (V_{EN/SS} - 2) / V_{EN/SS} \}$$

Example: When C<sub>SS</sub>=0.47 μF, R<sub>SS</sub>=120kΩ and V<sub>EN/SS</sub>=5V,  $t_{ss} = -0.47 \times 10^{-6} \times 120 \times 10^3 \times \ln((5-2)/5) = 29ms$  (Approx.)

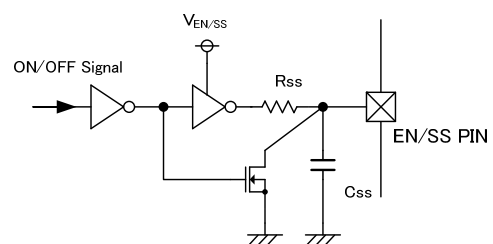
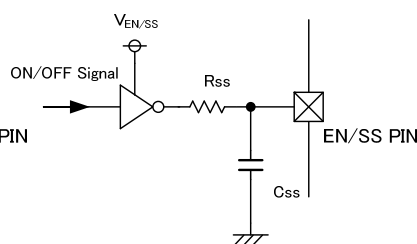
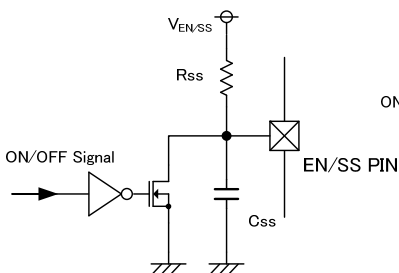
\* When R<sub>SS</sub>=0Ω and C<sub>SS</sub>=0F, the soft-start time is 1.5ms (TYP.) and it's set internally.



> Circuit Example1 : N-ch Open Drain

> Circuit Example2 : CMOS logic (low current dissipation)

> Circuit Example3 : CMOS logic (low current dissipation, quick off)

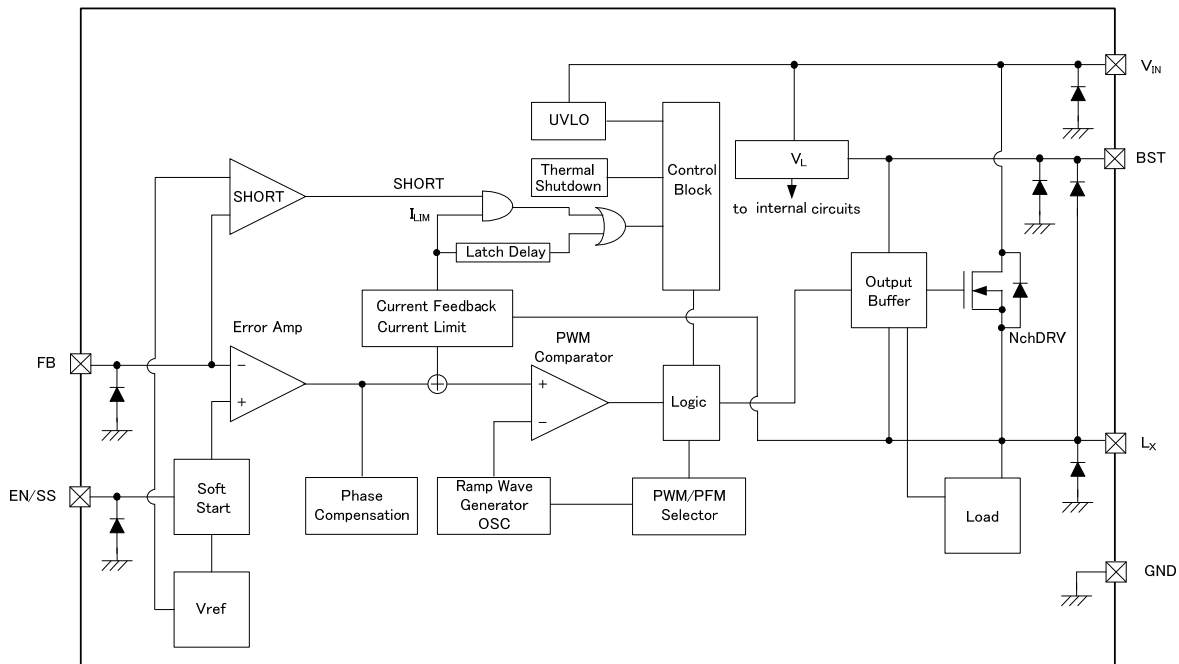


## OPERATIONAL EXPLANATION

The XC9246/XC9247 series consists of a reference voltage source ( $V_{ref}$ ), an internal reference voltage source ( $V_L$ ), ramp wave circuit, error amplifier, PWM comparator, phase compensation circuit, N-ch MOS driver transistor, current limiter circuit, short protection circuit, UVLO circuit, thermal shutdown circuit, over voltage protection, load disconnect control and others. (See the BLOCK DIAGRAM below.)

By using the error amplifier, the FB pin voltage is compared with the reference voltage. The error amplifier output is sent to the PWM comparator in order to determine the duty cycle of PWM switching. The signal from the error amplifier is compared with the ramp wave from the ramp wave circuit, and the resulting output is delivered to the buffer driver circuit to provide on-time of the duty cycle at the LX pin. This process is continuously performed to ensure stable output voltage.

The current feedback circuit monitors the N-ch MOS driver transistor current for each switching operation, and modulates the error amplifier output signal to provide multiple feedback signals. This enables a stable feedback loop even when using a low ESR capacitor such as ceramic, which results in ensuring stable output voltage.



BLOCK DIAGRAM

### <Reference Voltage Source>

The reference voltage source ( $V_{ref}$  voltage) provides the reference voltage to ensure stable output voltage of the DC/DC converter.

### <Ramp Wave Circuit>

The ramp wave circuit determines switching frequency. The frequency is fixed 1.2MHz internally. Clock pulses generated in this circuit are used to produce ramp waveforms needed for PWM operation, and to synchronize all the internal circuits.

### <Error Amplifier>

The error amplifier is designed to monitor output voltage. The amplifier compares the reference voltage with the feedback voltage. When a voltage lower than the reference voltage is fed back, the output voltage of the error amplifier increases. The gain and frequency characteristics of the error amplifier output are fixed internally to deliver an optimized signal to the mixer. The error amplifier output signal optimized in the mixer is modulated with the current feedback signal. This signal is delivered to the PWM comparator.

## OPERATIONAL EXPLANATION (Continued)

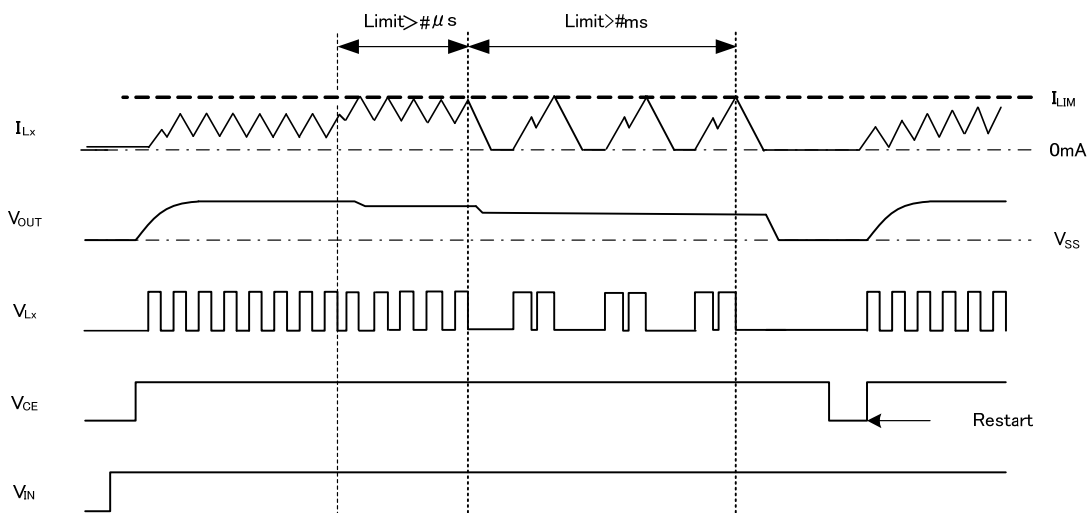
### <Current Limit>

The current limit circuit monitors the current flowing through the N-ch MOS driver transistor, and features a combination of the current limit mode and the operation suspension mode.

- ① When the driver current is greater than a specific level, the current limit operates to turn off the pulses from the LX pin at any given timing.
- ② When the N-ch MOS driver transistor is turned off, the limiter circuit is then released from the current limit detection state.
- ③ At the next pulse, the N-ch MOS driver transistor is turned on. However, the N-ch MOS transistor is immediately turned off in the case of an over current state.
- ④ When the over current state is eliminated, the IC resumes its normal operation.

As to are repeated and an over-current state continues for about  $20\ \mu\text{s}$ , the off period of the N-ch MOS driver  $T_r$  will be longer to prevent from DC overlapping of the coil current. The over-current state continues for several ms. and as to are repeated, the off state of the N-ch MOS driver will be latched and IC will be stopped. Once IC is in the state, operation can be resumed by feeding H-level to EN/SS pin after L-level is fed to the pin, or by turning the VIN power off and turning it on again. Under the function-stop state, clock is stopped, however it is not the shutdown state. So the internal circuitries operate. The current limiting value is 2500mA typically.

The latch time may be longer than spec., or the latch situation may not happen in spite of the over-current condition due to the ambient noise or the allocation of external components on PCB. Putting the input capacitor to IC as close as possible is recommended.



### <Thermal Shutdown>

For protection against heat damage of the ICs, thermal shutdown function monitors chip temperature. The thermal shutdown circuit starts operating and the N-ch MOS driver transistor will be turned off when the chip's temperature reaches  $150^{\circ}\text{C}$ . When the temperature drops to  $130^{\circ}\text{C}$  or less after shutting of the current flow, the IC performs the soft-start function to initiate output startup operation.

### <UVLO Circuit>

When the  $V_{IN}$  voltage becomes 4.0V (XC9246B42 / XC9247B42) either 5.5V (9246B65 / XC9247B65) and 7.4V (9246B75 / XC9247B75) or lower, the N-ch MOS driver transistor is forced OFF to prevent false pulse output caused by unstable operation of the internal circuitry. When the  $V_{IN}$  voltage becomes 4.15V (TYP.) either 5.65V (TYP.) and 7.65V (TYP.) or higher, switching operation takes place. By releasing the UVLO function, the IC performs the soft-start function to initiate output startup operation. The soft-start function operates even when the  $V_{IN}$  voltage falls momentarily below the UVLO detect voltage. The UVLO circuit does not cause a complete shutdown of the IC, but causes pulse output to be suspended; therefore, the internal circuitry remains in operation.

### <Boot Strap Method>

An N-ch MOS driver transistor is used in the high side driver, so a voltage higher than the  $V_{IN}$  voltage is required in order to turned the driver on. Therefore, the boot strap method is used to generate a voltage that is higher than the  $V_{IN}$  voltage. The boot strap method is connecting the  $C_{BST}$  capacitor between the BST-L<sub>X</sub> to cause the  $V_{LX}$  to be lower than the  $V_L$  ( $V_L$  voltage = 4V), which is the internal power supply, so that the  $V_L$  charges the  $C_{BST}$ . Charging the  $C_{BST}$  requires more than a certain time when  $V_{LX}$  is 0V or less. If the load current is below several mA, sufficient time to charge the  $C_{BST}$  cannot be obtained, so oscillation might stop, but the product compulsorily increases the load current to provide stable operation even at light loads.

## OPERATIONAL EXPLANATION (Continued)

### <Short-Circuit Protection>

$V_{OUT}$  voltage is observed with the voltage at FB pin(hence FB voltage) and the voltage is produced by RFB1 and RFB2 which are connected between  $V_{OUT}$  and GND. And in the event that  $V_{OUT}$  is shorted to GND accidentally, the FB voltage drops to one half of the reference voltage or less, and if a current which is greater than  $I_{LIM}$  flows to the driver, the short-circuit protection is activated instantaneously and turns off the driver and the driver latches. Once IC is in the latch state, operation can be resumed by feeding H-level to EN/SS pin after L-level is fed to the pin, or by turning the  $V_{IN}$  power off and turning it on again. In this case,  $V_{IN}$  should go down to lower voltage than UVLO detect voltage, and after that  $V_{IN}$  should go up to higher voltage than UVLO release voltage.

### <PFM Switch Current> <sup>(\*)</sup>

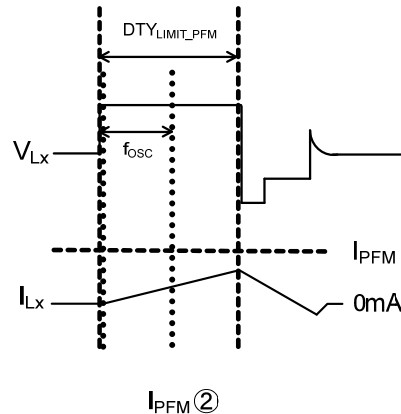
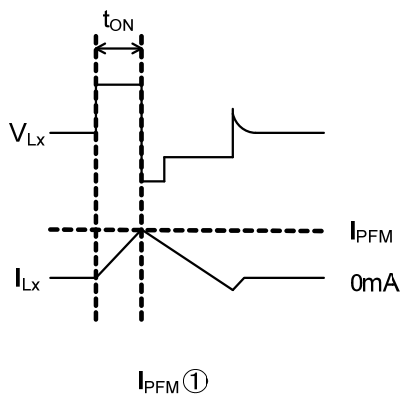
In PFM control operation, until coil current reaches to a specified level ( $I_{PFM}$ ), the IC keeps the N-ch MOS driver transistor on. In this case, time that the N-ch MOS driver transistor is kept on ( $t_{ON}$ ) can be given by the following formula. → $I_{PFM}①$

$$t_{ON} = L \times I_{PFM} / (V_{IN} - V_{OUT})$$

### < PFM Duty Limit > <sup>(\*)</sup>

In the PFM control operation, the PFM Duty Limit ( $DTY_{LIMIT\_PFM}$ ) is set to 200% (TYP.). Therefore, under the condition that the duty increases (e.g. the condition that the step-down ratio is small), it's possible for N-ch MOS driver transistor to be turned off even when coil current does not reach to  $I_{PFM}$ . → $I_{PFM}②$

<sup>(\*)</sup> XC9246 series excluded.



## NOTE ON USE

- For the phenomenon of temporal and transitional voltage decrease or voltage increase, the IC may be damaged or deteriorated if IC is used beyond the absolute MAX. specifications.
- Make sure that the absolute maximum ratings of the external components and of this IC are not exceeded.
- The DC/DC converter characteristics depend greatly on the externally connected components as well as on the characteristics of this IC, so refer to the specifications and standard circuit examples of each component when carefully considering which components to select. Be especially careful of the capacitor characteristics and use B characteristics (JIS standard) or X7R, X5R (EIA standard) ceramic capacitors.
- If there is a large dropout voltage, then a stable output voltage will not always be supplied under all conditions. Please use it under the condition of  $V_{OUT}/V_{IN} \times 100 \geq 18\%$ . The operation might become unstable if used under 18%.
- If there is a large dropout voltage, then there might be pulse-skip during light loads even with PWM control.
- The DC/DC converter of this IC uses a current-limiting circuit to monitor the coil peak current. If the potential dropout voltage is large or the load current is large, the peak current will increase, which makes it easier for current limitation to be applied which in turn could cause the operation to become unstable. When the peak current becomes large, adjust the coil inductance and sufficiently check the operation. The following formula is used to show the peak current.

$$\text{Peak Current: } I_{pk} = (V_{IN} - V_{OUT}) \times \text{OnDuty} / (2 \times L \times f_{OSC}) + I_{OUT}$$

L: Coil Inductance

$f_{OSC}$ : Oscillation Frequency

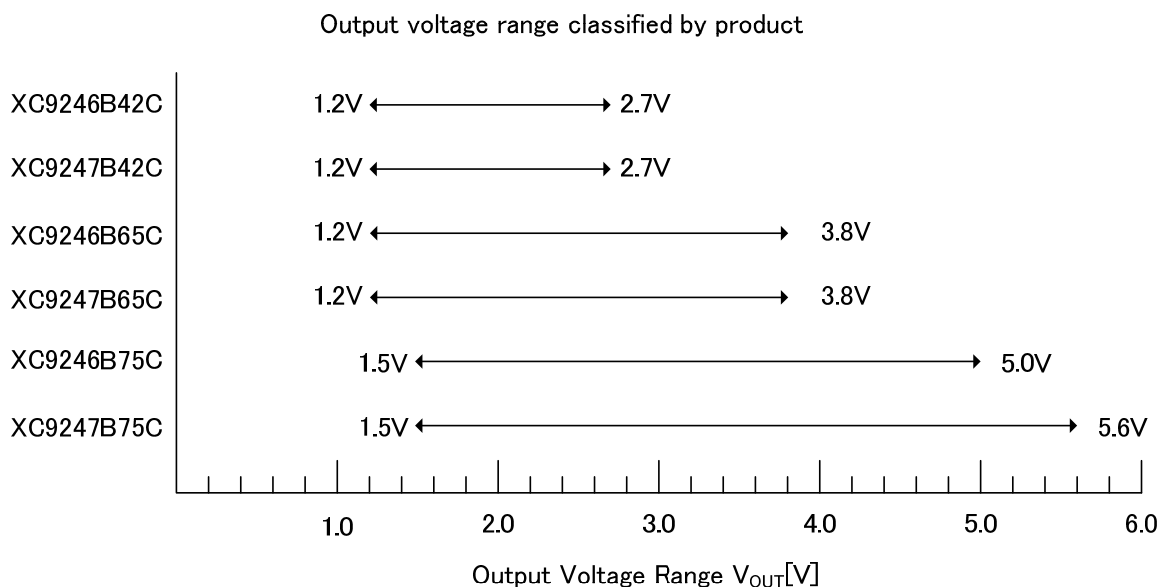
- If an over-current (peak current) that exceeds the current limitation flows for a set time, N-ch MOS driver transistor is turned off (integral latch circuit). The current limited portion of the current will flow during the time from when the over-current is detected until N-ch MOS driver transistor is turned off, so be careful about the coil ratings.
- If there is a large dropout voltage, a circuit delay could create the ramp-up of coil current with staircase waveform exceeding the current limit.
- When the over-current state continues for  $20 \mu s$ , the driver off time is lengthened to prevent superimposing of the coil current. The lengthened driver off time causes the  $V_{OUT}$  to lower and thus triggering the short circuit protection without waiting for the integral latch time.
- If a steep load change occurs, the voltage drop of the  $V_{OUT}$  voltage is directly transmitted to the FB via the  $C_{FB}$ , so the short circuit protection is triggered when the voltage is more than half the  $V_{OUT}$  voltage.
- The ripple current might rise during light loads. This is done to charge the  $C_{BST}$  to ensure normal operation. Although it depends on the input and output conditions, this can be improved by pulling a load of several mA.
- When using  $C_L = 22 \mu F$  or above, also correspondingly increase the  $C_{BST}$  capacitance. When not using the specified capacitance, the oscillation stops and the output voltage may become unstable.

### 【CBST Optimum Settings】

| $C_L (\mu F)$        | $C_{BST} (\mu F)$ |
|----------------------|-------------------|
| $C_L \leq 22$        | 0.22              |
| $22 < C_L \leq 47$   | 0.47              |
| $47 < C_L \leq 100$  | 1.0               |
| $100 < C_L \leq 220$ | 2.2               |

## NOTE ON USE (Continued)

13. When the voltage difference between input and output is small and the load is light, the voltage between the BST-L<sub>x</sub> will lower and prevent driver on/off control, which could cause oscillation to stop and the output voltage to become unstable. Use the specified input-output voltage range and set to the recommended coil inductance each. Also use about 180pF for the capacitance between SBD terminals. Using a large capacitance between terminals could cause oscillation stop.



### 【Recommended L Value and V<sub>OUT</sub> Range】

| V <sub>OUT</sub>               | Recommended L Value |        |
|--------------------------------|---------------------|--------|
| 1.2V ≤ V <sub>OUT</sub> ≤ 3.5V | 3.3 μH              | 4.7 μH |
| 3.5V < V <sub>OUT</sub> ≤ 4.0V | -                   | 4.7 μH |
| 4.0V < V <sub>OUT</sub> ≤ 5.6V | -                   | 6.8 μH |

14. When the input voltage is high and the load is light, the V<sub>OUT</sub> could rise above the set voltage. Use the recommended coil inductance specified for each set voltage. Also please use the SBD which has inter-terminal capacitance of approx. 180pF and more. The over voltage situation may be caused at the output if the SBD with smaller inter-terminal capacitance than 180pF is used.
15. When using the EN/SS pin to switch between enable status and disable status, switch to the enable status after the V<sub>OUT</sub> voltage has become 1V or less. When switching to enable status when the V<sub>OUT</sub> is over 1V, sufficient voltage will not be applied between the BST-L<sub>x</sub>, which could cause oscillation stop and the output voltage to become unstable.
16. If the voltage at the EN/SS Pin does not start from 0V but it is at the midpoint potential when the power is switched on, the soft start function may not work properly and it may cause the larger inrush current and bigger ripple voltages.
17. When using at an ambient temperature of -30°C or less, use C<sub>L</sub>=47 μF or higher. Abnormal oscillation may occur at C<sub>L</sub>=22 μF.
18. The ripple voltage could be increased when switching from discontinuous conduction mode to Continuous conduction mode.
19. For the XC9246B42 and XC9247B42, when the IC is operated under V<sub>IN</sub>=5.0V, the efficiency may get lower significantly in the discontinuous conduction mode.
20. There is the possibility to get the ripple voltage larger in case the peak current is unstable at the light current load in PFM control operation.
21. Torex places an importance on improving our products and their reliability. We request that users incorporate fail-safe designs and post-aging protection treatment when using Torex products in their systems.



## NOTE ON USE (Continued)

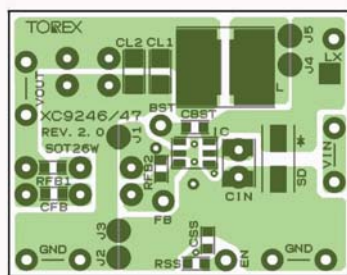
The operation may become unstable due to noise and/or phase lag from the output current when the wire impedance is high, please place the input capacitor( $C_{IN}$ ) and the output capacitor ( $C_L$ ) as close to the IC as possible.

### ● Instructions of pattern layouts

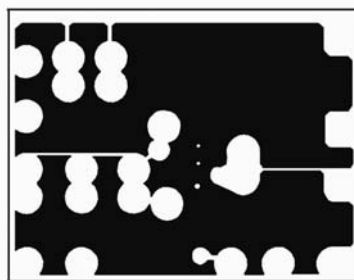
- (1) In order to stabilize  $V_{IN}$  voltage level, we recommend that a by-pass capacitor ( $C_{IN}$ ) be connected as close as possible to the  $V_{IN}$  and GND pins.
- (2) Please mount each external component as close to the IC as possible.
- (3) Wire external components as close to the IC as possible and use thick, short connecting traces to reduce the circuit impedance.
- (4) Make sure that the GND traces are as thick as possible, as variations in ground potential caused by high ground currents at the time of switching may result in instability of the IC.
- (5) Please note that internal driver transistors bring on heat because of the load current and ON resistance of the N-ch MOS driver transistors.

#### Recommended Pattern Layout (SOT-26W)

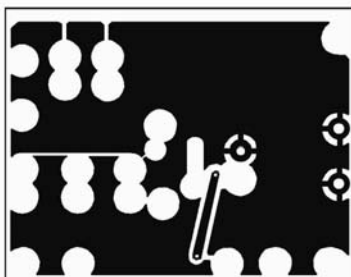
1<sup>st</sup> Layer



2<sup>nd</sup> Layer



3<sup>rd</sup> Layer

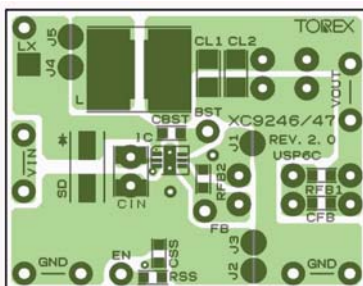


4<sup>th</sup> Layer

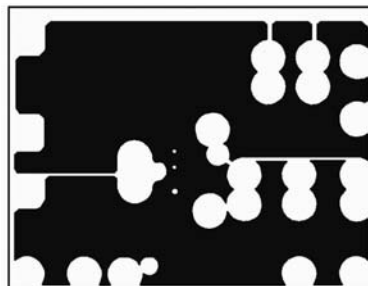


#### Recommended Pattern Layout (USP-6C)

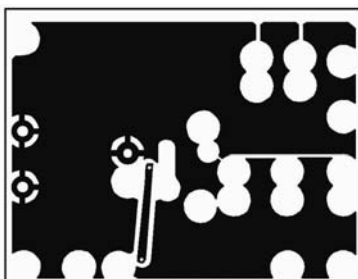
1<sup>st</sup> Layer



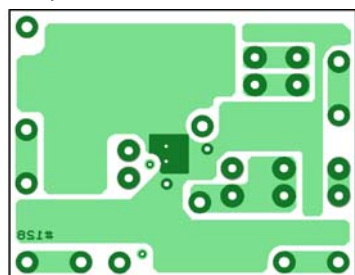
2<sup>nd</sup> Layer



3<sup>rd</sup> Layer



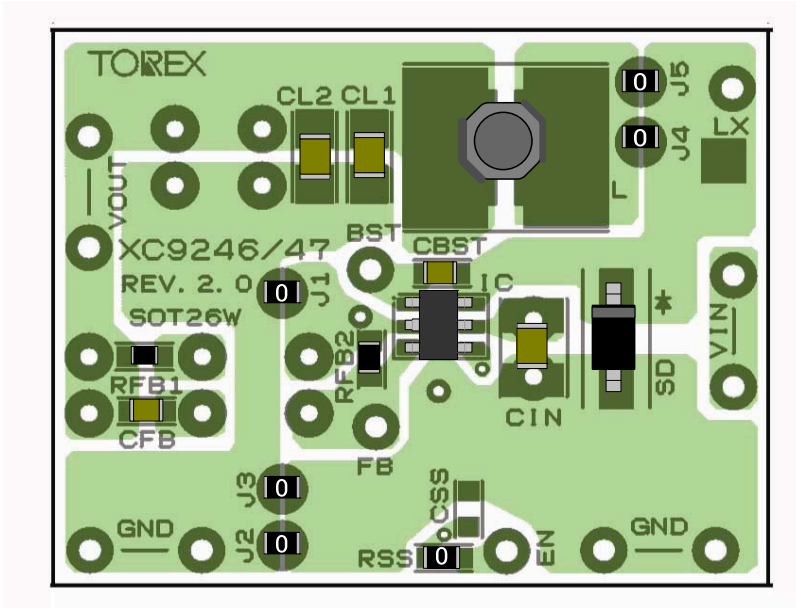
4<sup>th</sup> Layer



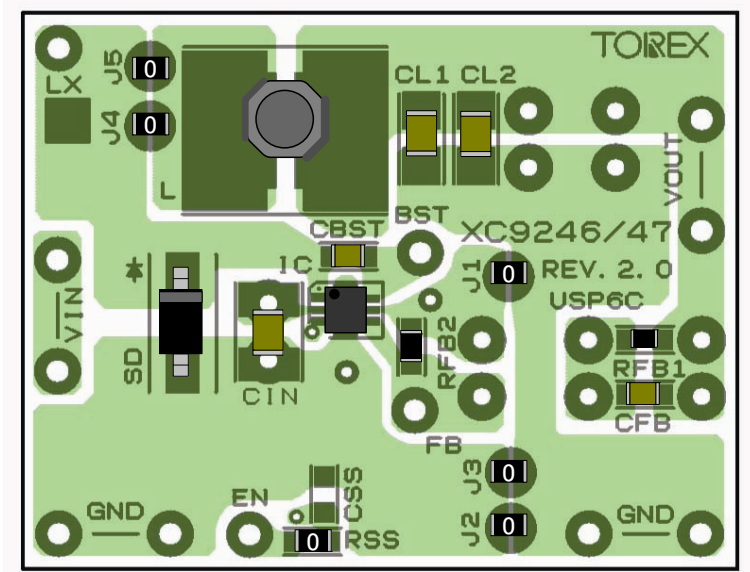
# XC9246/XC9247 Series

## NOTE ON USE (Continued)

PCB mounted (SOT-26W)

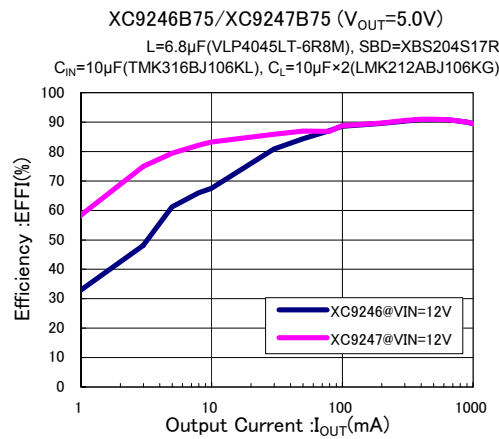
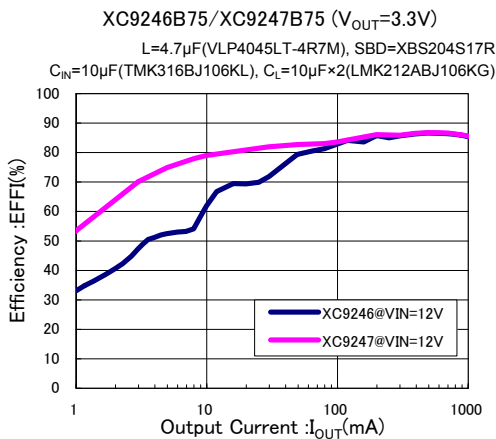
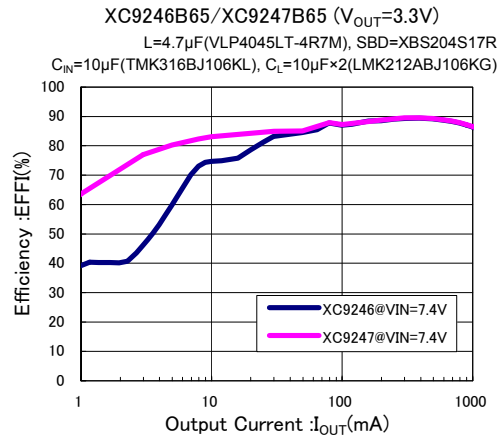
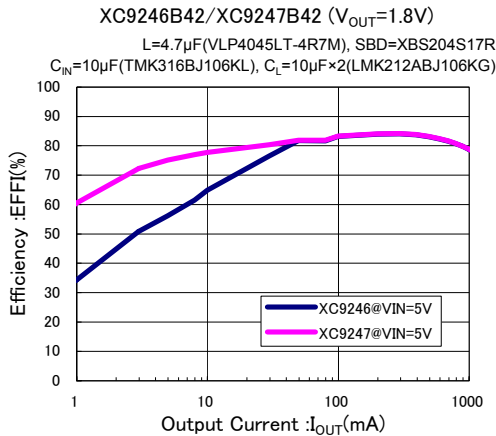


PCB mounted (USP-6C)

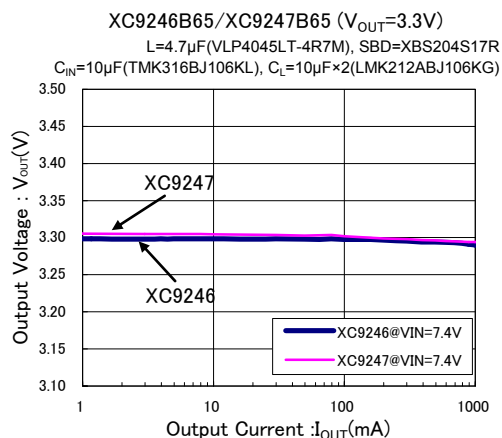
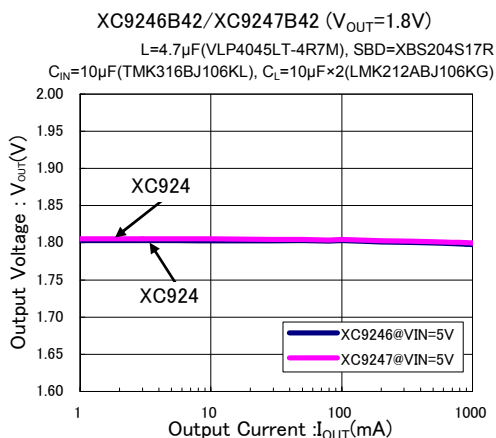


## TYPICAL PERFORMANCE CHARACTERISTICS

### (1) Efficiency vs. Output Current

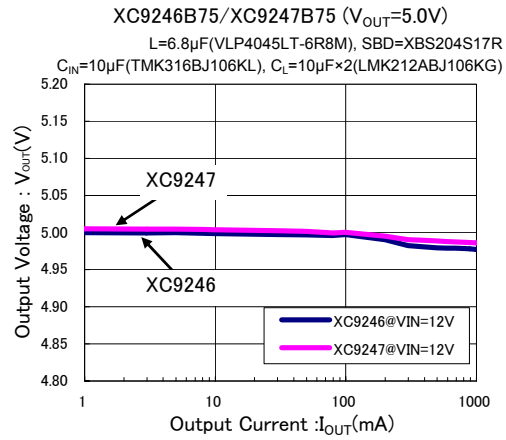
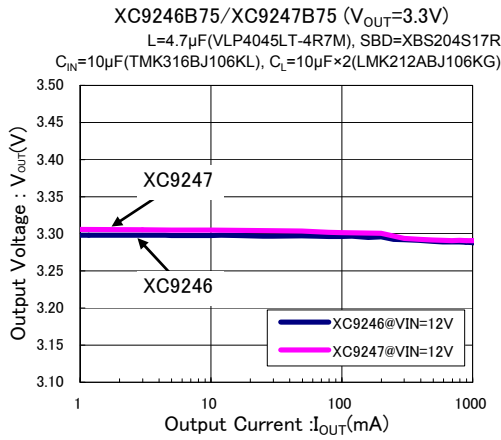


### (2) Output Voltage vs. Output Current

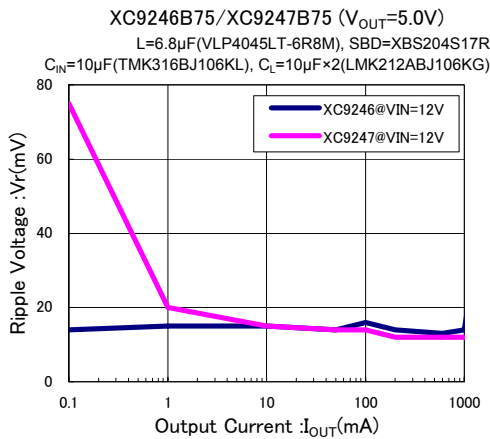
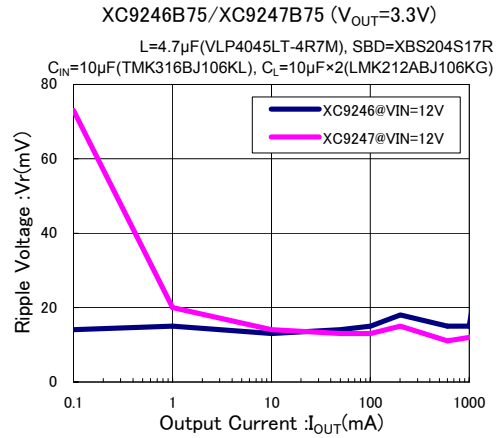
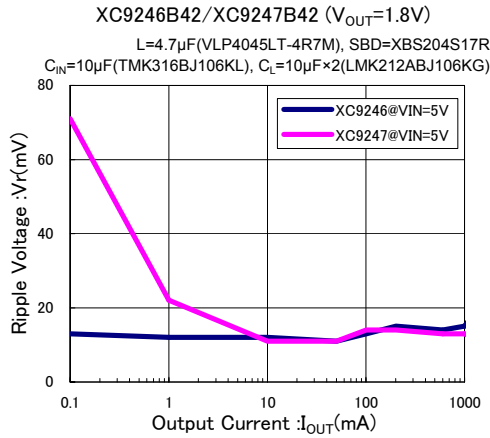


## TYPICAL PERFORMANCE CHARACTERISTICS (Continued)

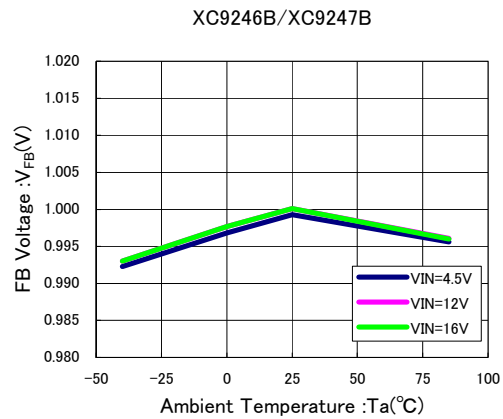
### (2) Output Voltage vs. Output Current (Continued)



### (3) Ripple Voltage vs. Output Current

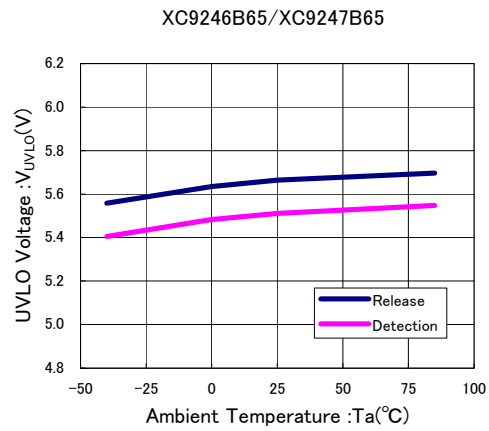
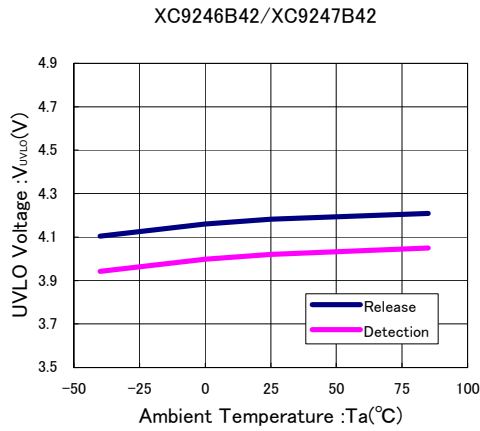


### (4) FB Voltage vs. Ambient Temperature

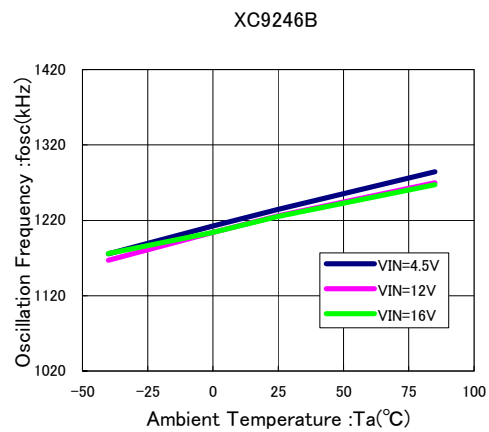
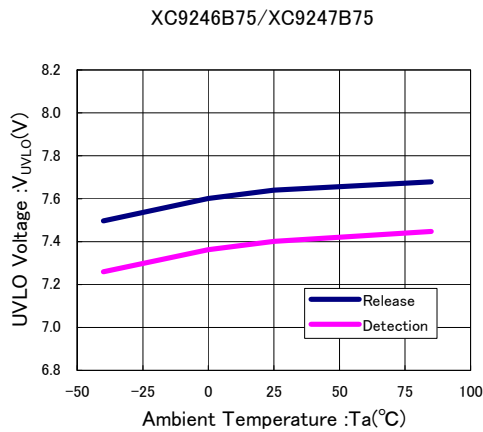


## TYPICAL PERFORMANCE CHARACTERISTICS (Continued)

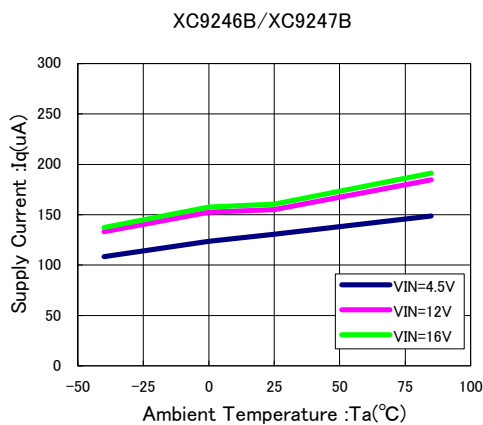
(5) UVLO Voltage vs. Ambient Temperature



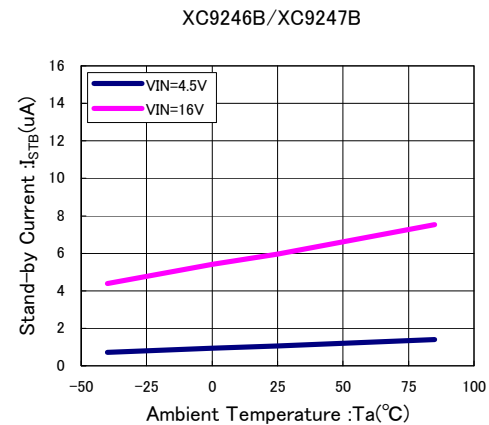
(6) Oscillation Frequency vs. Ambient Temperature



(7) Supply Current vs. Ambient Temperature

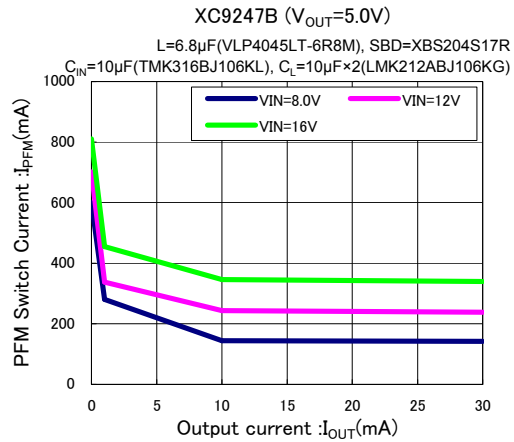
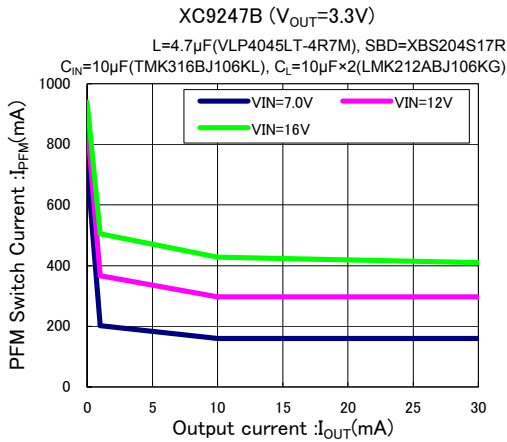


(8) Stand-by Current vs. Ambient Temperature

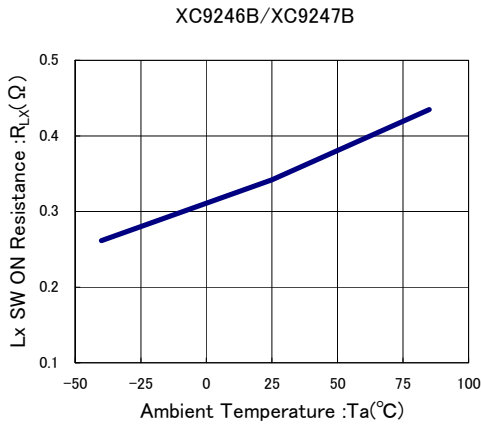


## TYPICAL PERFORMANCE CHARACTERISTICS (Continued)

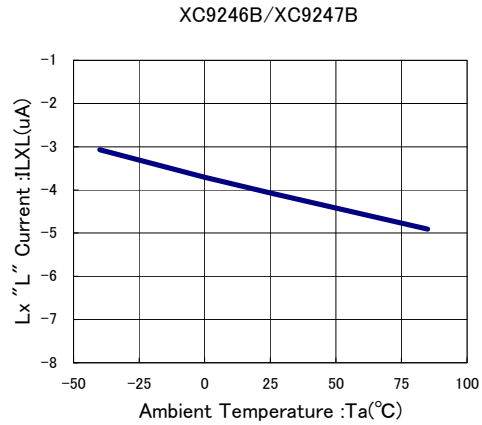
(9) PFM Switch Current vs. Output Current



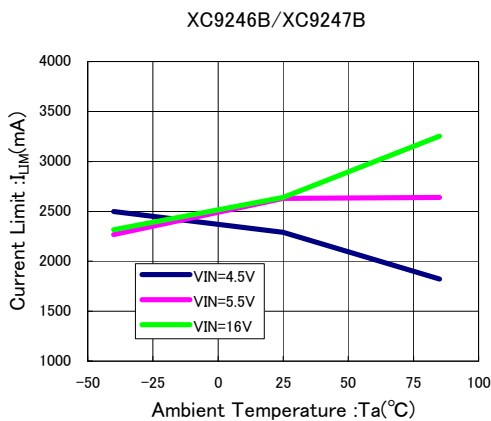
(10) Lx SW ON Resistance vs. Ambient Temperature



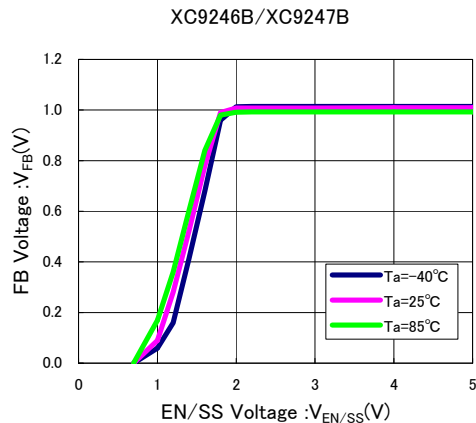
(11) Lx "L" Current vs. Ambient Temperature



(12) Current Limit vs. Ambient Temperature

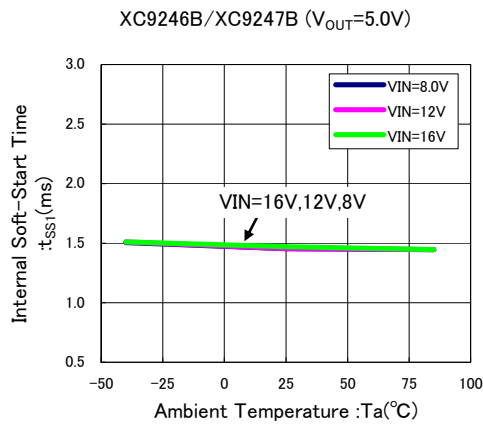


(13) FB Voltage vs. EN/SS Voltage

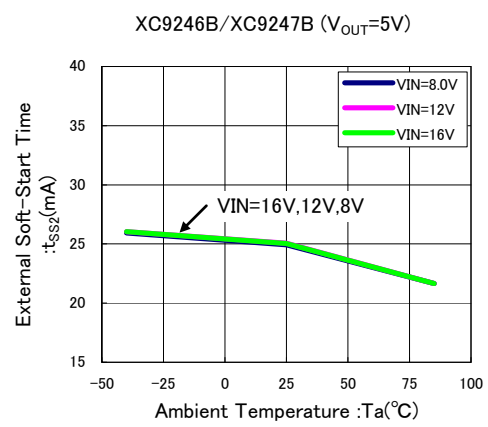


## ■ TYPICAL PERFORMANCE CHARACTERISTICS (Continued)

(14) Internal Soft-Start Time vs. Ambient Temperature

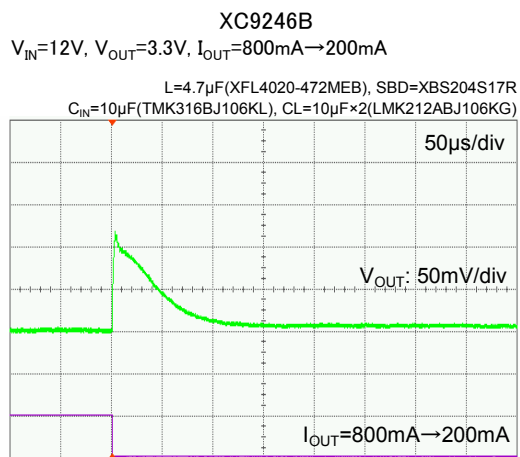
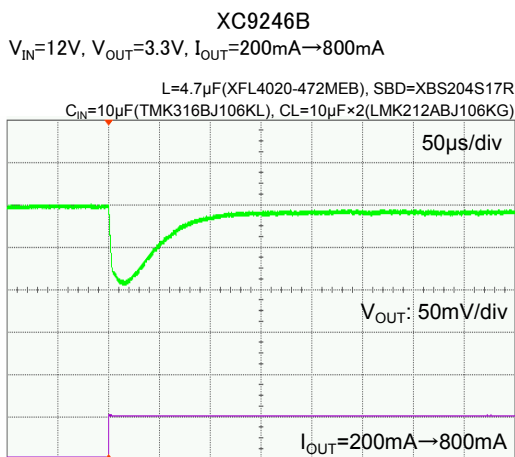
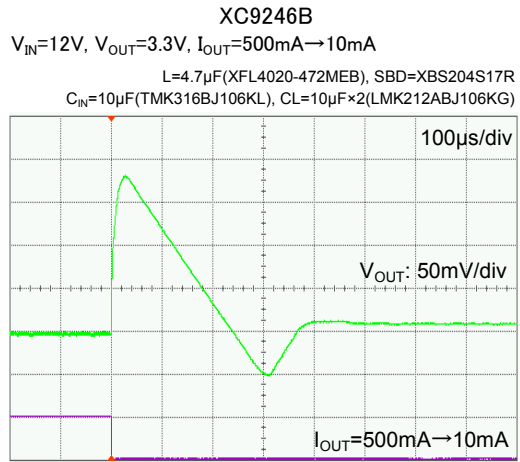
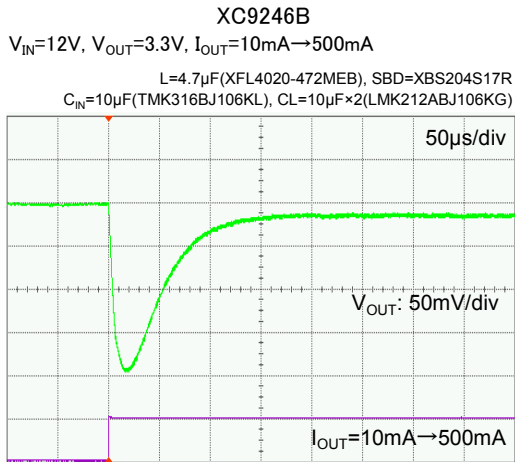
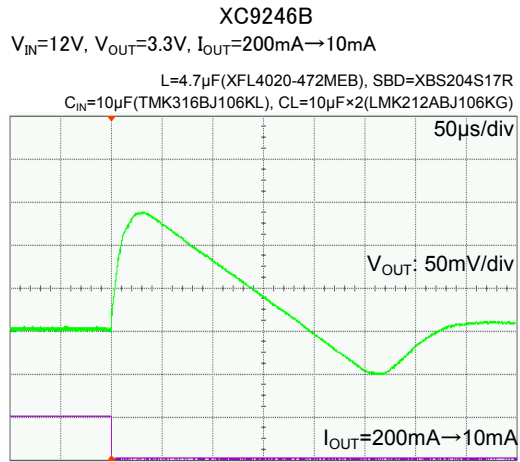
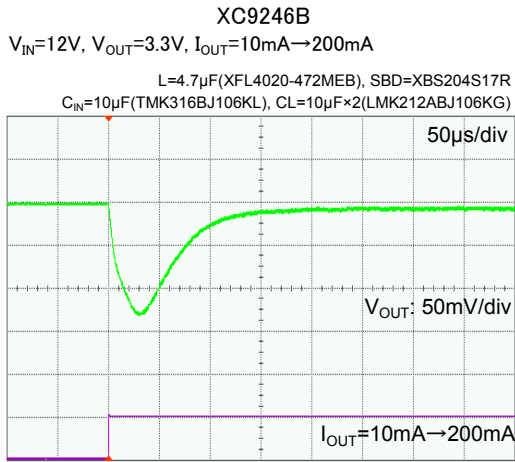


(15) External Soft-Start Time vs. Ambient Temperature



## TYPICAL PERFORMANCE CHARACTERISTICS (Continued)

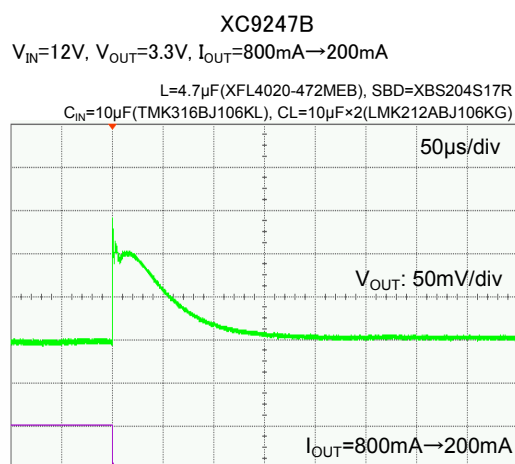
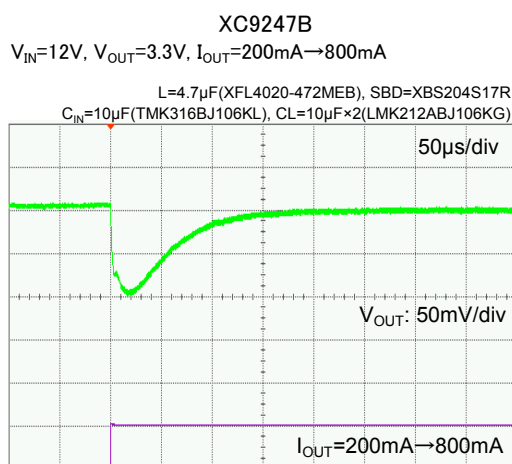
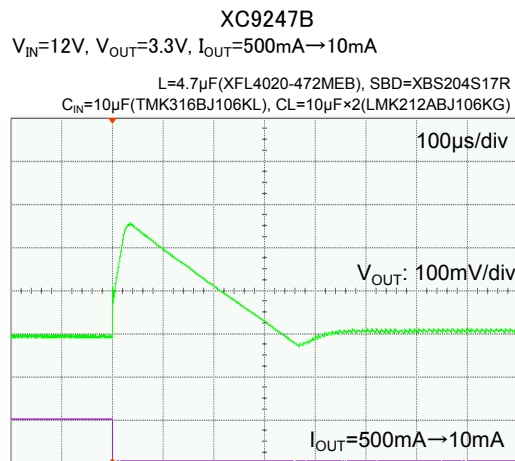
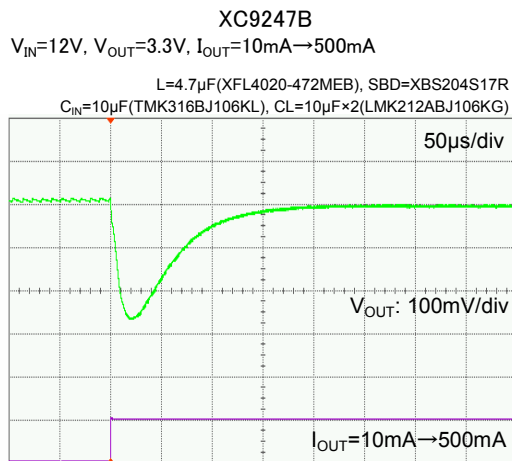
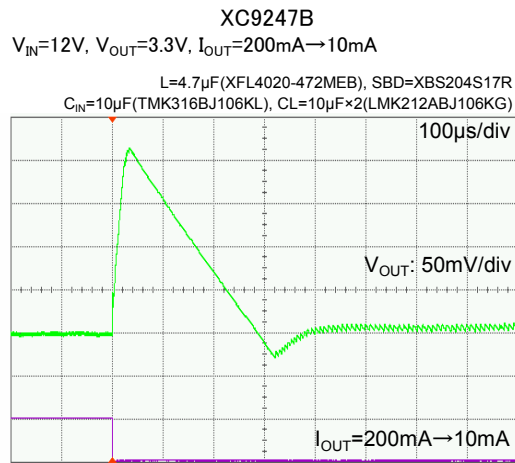
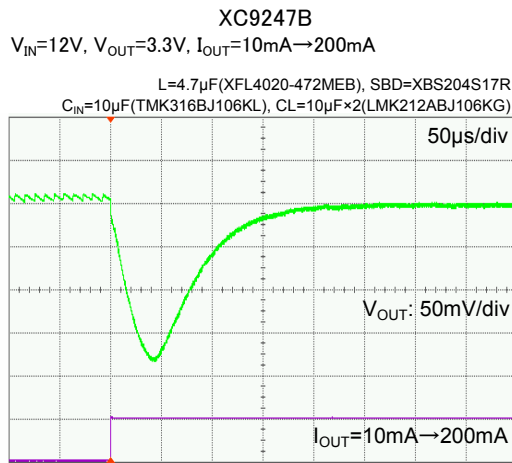
### (16) Load Transient Response





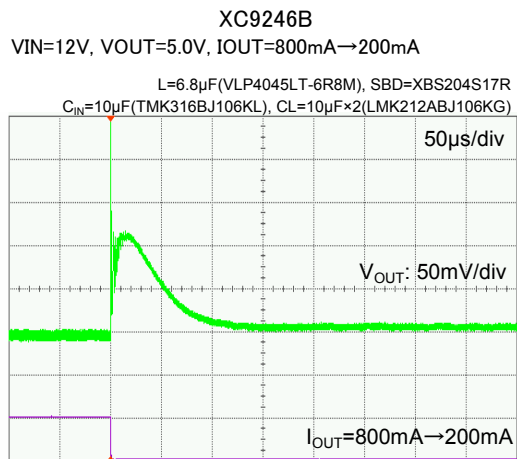
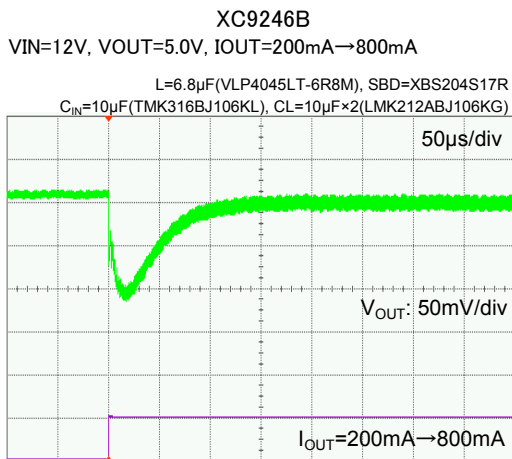
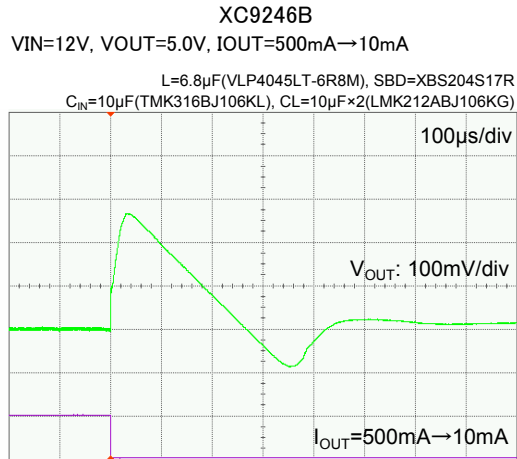
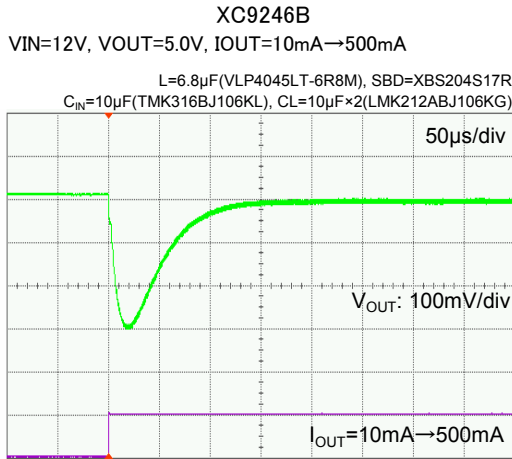
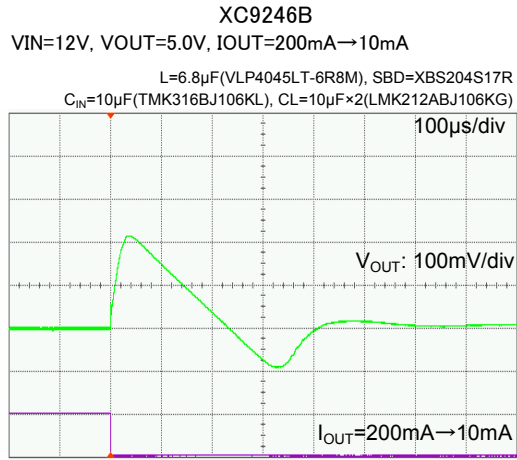
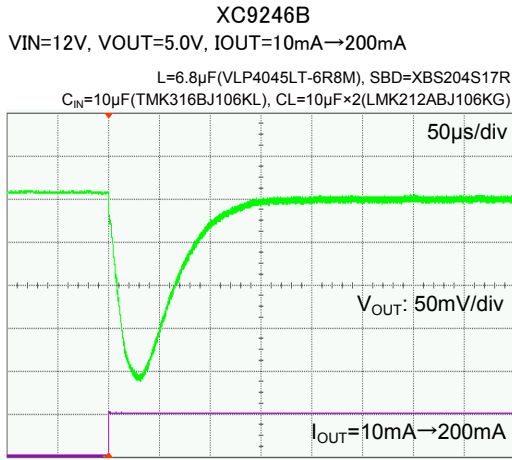
## ■ TYPICAL PERFORMANCE CHARACTERISTICS (Continued)

### (16) Load Transient Response (Continued)



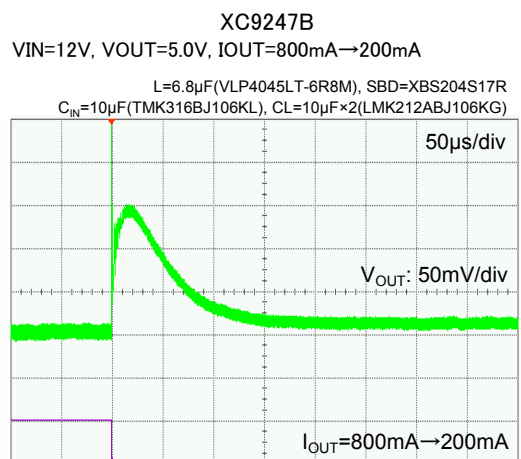
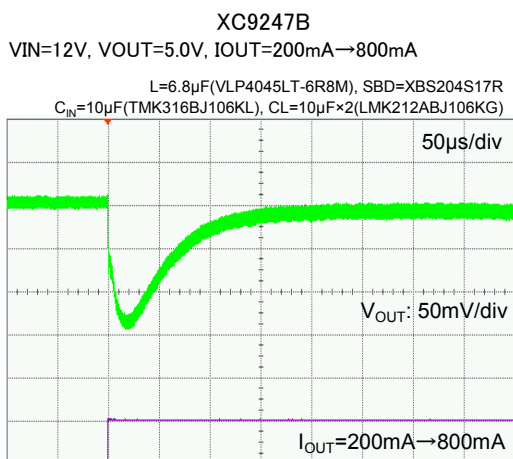
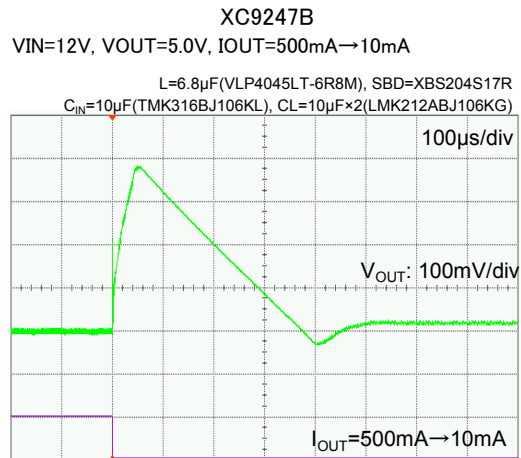
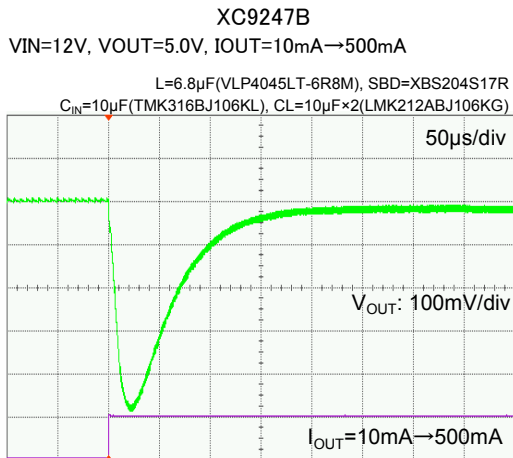
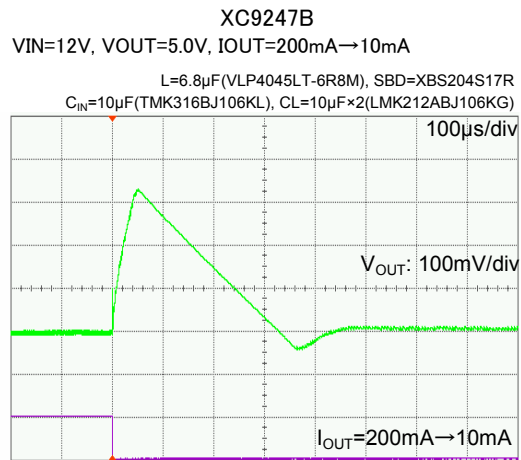
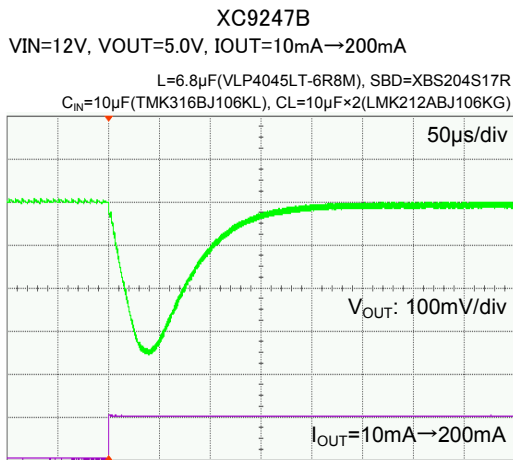
## TYPICAL PERFORMANCE CHARACTERISTICS (Continued)

### (16) Load Transient Response (Continued)



## ■ TYPICAL PERFORMANCE CHARACTERISTICS (Continued)

### (16) Load Transient Response (Continued)

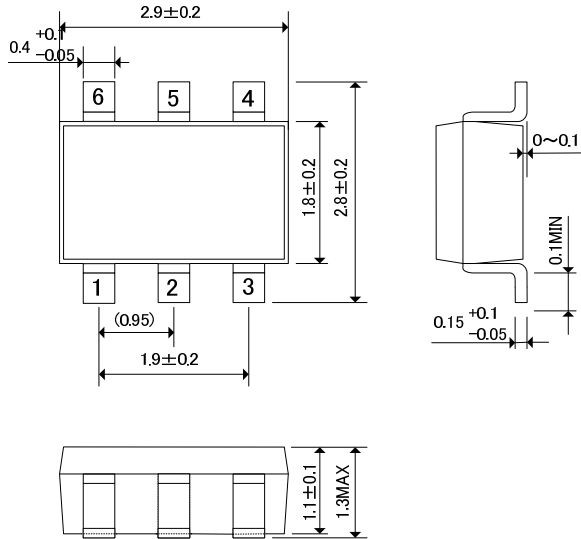


# XC9246/XC9247 Series

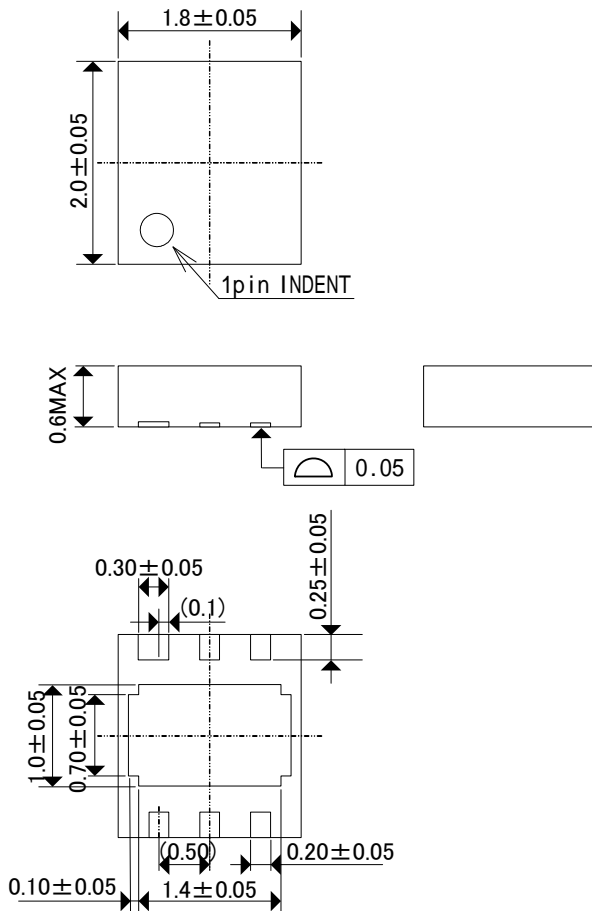
## PACKAGING INFORMATION

SOT-26W (unit: mm)

(unit : mm)

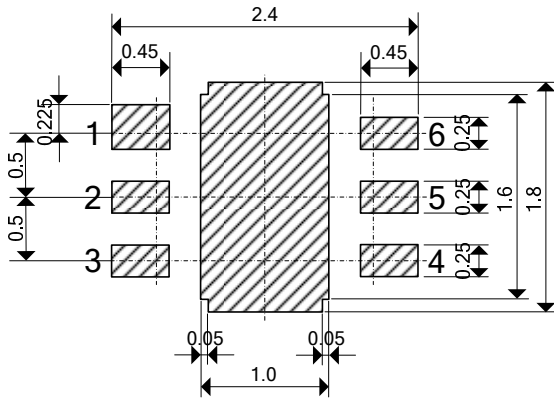


USP-6C (unit: mm)

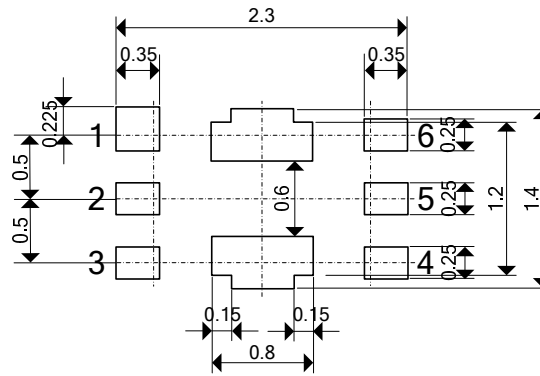


■ **PACKAGING INFORMATION (Continued)**

USP-6C Reference Pattern Layout (unit: mm)

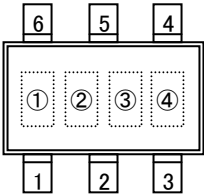


USP-6C Reference Metal Mask Design (unit: mm)



## MARKING RULE

### SOT-26W



① represents products series

| MARK | PRODUCT SERIES |
|------|----------------|
| 6    | XC9246B****-G  |
| 7    | XC9247B****-G  |

② represents products type

| MARK | TYPE               | PRODUCT SERIES                   |
|------|--------------------|----------------------------------|
| ②    |                    |                                  |
| 4    | UVLO Voltage=4.15V | XC9246B42***-G<br>XC9247B42***-G |
| 6    | UVLO Voltage=5.65V | XC9246B65***-G<br>XC9247B65***-G |
| 7    | UVLO Voltage=7.65V | XC9246B75***-G<br>XC9247B75***-G |

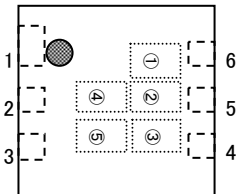
③④ represents production lot number

01~09, 0A~0Z, 11~9Z, A1~A9, AA~AZ, B1~ZZ in order.

(G, I, J, O, Q, W excluded)

\* No character inversion used.

### USP-6C



① represents products series

| MARK | PRODUCT SERIES |
|------|----------------|
| 6    | XC9246B****-G  |
| 7    | XC9247B****-G  |

②③ represents products type

| MARK |   | TYPE               | PRODUCT SERIES                   |
|------|---|--------------------|----------------------------------|
| ②    | ③ |                    |                                  |
| 4    | 2 | UVLO Voltage=4.15V | XC9246B42***-G<br>XC9247B42***-G |
| 6    | 5 | UVLO Voltage=5.65V | XC9246B65***-G<br>XC9247B65***-G |
| 7    | 5 | UVLO Voltage=7.65V | XC9246B75***-G<br>XC9247B75***-G |

④⑤ represents production lot number

01~09, 0A~0Z, 11~9Z, A1~A9, AA~AZ, B1~ZZ in order.

(G, I, J, O, Q, W excluded)

\* No character inversion used.

1. The products and product specifications contained herein are subject to change without notice to improve performance characteristics. Consult us, or our representatives before use, to confirm that the information in this datasheet is up to date.
2. We assume no responsibility for any infringement of patents, patent rights, or other rights arising from the use of any information and circuitry in this datasheet.
3. Please ensure suitable shipping controls (including fail-safe designs and aging protection) are in force for equipment employing products listed in this datasheet.
4. The products in this datasheet are not developed, designed, or approved for use with such equipment whose failure or malfunction can be reasonably expected to directly endanger the life of, or cause significant injury to, the user.  
(e.g. Atomic energy; aerospace; transport; combustion and associated safety equipment thereof.)
5. Please use the products listed in this datasheet within the specified ranges.  
Should you wish to use the products under conditions exceeding the specifications, please consult us or our representatives.
6. We assume no responsibility for damage or loss due to abnormal use.
7. All rights reserved. No part of this datasheet may be copied or reproduced without the prior permission of TOREX SEMICONDUCTOR LTD.

**TOREX SEMICONDUCTOR LTD.**