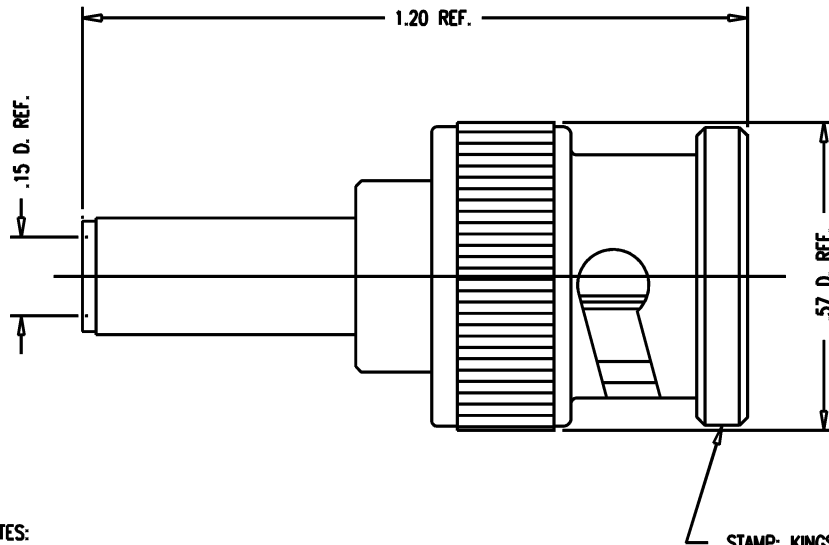


GSD

2025-44-9



NOTES:

1. FOR USE WITH TYPE 735 CABLE.
2. FOR CABLING INSTRUCTIONS SEE 3-682 (BULK PACKAGING) OR 3-680 (BAG PACKAGING).
3. FOR CRIMPING USE DIE SIZE KTH-2185.
4. CENTER CONTACT AND CRIMP FERRULE TO BE SUPPLIED UNASSEMBLED.
5. INTERFACE PER MIL-STD-348, FIG. 301-1 (AS APPLICABLE).
6. MARK PACKAGE: KINGS 2025-44-9
XX XX (DATE CODE)
7. MATERIAL:
 - INSULATOR- TEFLON
 - GASKET- SILICONE RUBBER
 - OUTER CONTACT } BERYLLIUM COPPER
 - SPRING WASHER }
 - ALL OTHER METAL PARTS- BRASS
8. FINISHES:
 - CENTER CONTACT- GOLD PLATED
 - SPRING WASHER- SILVER PLATED
 - ALL OTHER METAL PARTS- KINGS TARNISH RESISTANT NICKEL FINISH (TR-5)
9. ELECTRICAL CHARACTERISTICS:
 - NOMINAL IMPEDANCE- 75 OHMS
 - FREQUENCY RANGE- DC TO 2 GHz
 - WORKING VOLTAGE- 500 VRMS

STAMP: KINGS 2025-44-9

REVISIONS

ISSUE	CHANGES
1	UPDATE SLEEVE JT 07/23/90
2	ER 32396 JCA 08/02/90
3	CN 33088 D KH 05/23/91
4	CN 35729 A KH 08/31/94
5	CN 37667 E HVN 09/30/98
6	CN 37992 C HVN 03/20/00
7	CN 38014 C HVN 05/22/00
8	CN 38059 C HVN 08/09/00

KAM0307

SCALE	4:1		
APPROX SURFACE AREA			
WAS:	E-16191B		
USED ON			
REF:	AT&T		
75 OHM BNC PLUG			
DRAWN	KH	DATE	18APR90
DESIGN	JT	DATE	19APR90
APPR.		DATE	

KINGS
ELECTRONICS CO., INC.
ROCK HILL, SOUTH CAROLINA 29730

2025-44-9

GSD