

**P/N: VP80 DATA SHEET**

Page : 1/1

Feature

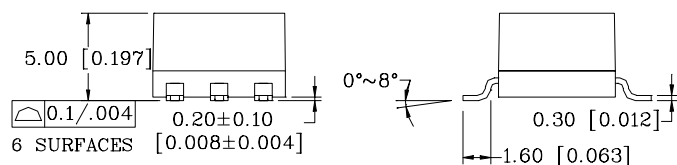
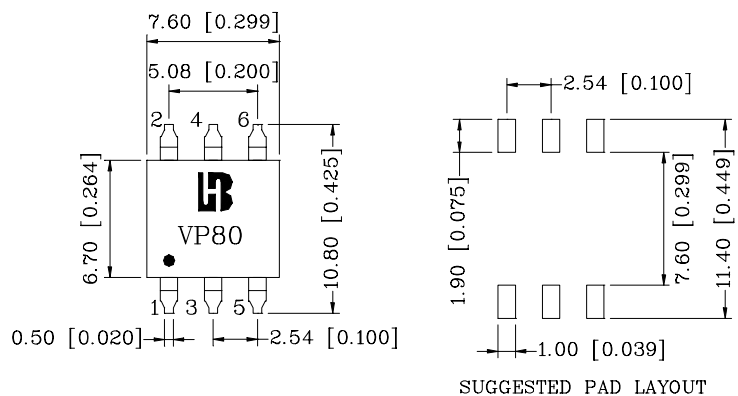
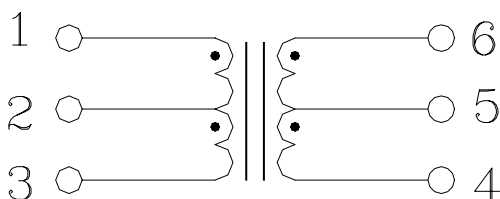
- IEEE 802.3af/ANSI X3.263 compliant performance.
- 350mA current capability.
- Suitable for Auto MDIX applications.
- Recommended parts for mid-span POWER over ETHERNET applications.
- Operating temperature range: 0°C to +70°C.
- Storage temperature range: -25°C to +125°C.

Electrical Specifications @ 25°C

Part Number	Turns Ratio (±5%)	HI-POT (Vrms)
VP80	1CT:1CT	1500

Continue

Part Number	Insertion Loss (dB Max)	Return Loss (dB Min)@Load 100Ω				DCMR (dB Min)		
		1-100MHz	1-30MHz	40MHz	50MHz	60-80MHz	30MHz	60MHz
VP80	-1.2	-16	-14	-13	-12	-43	-37	-33

Schematic**Mechanical**

Units: mm [Inches] Tolerances: xx.x0±0.25 [0.010]
0.xx±0.05 [0.002]