



M59PW032

32 Mbit (2Mb x16, Uniform Block)
3V Supply LightFlash™ Memory

FEATURES SUMMARY

- MASK-ROM PIN-OUT COMPATIBLE
- SUPPLY VOLTAGE
 - $V_{CC} = 2.7$ to $3.6V$ for Read
 - $V_{PP} = 11.4$ to $12.6V$ for Program
- ACCESS TIME
 - $90ns$ at $V_{CC} = 3.0$ to $3.6V$
 - $100, 110ns$ at $V_{CC} = 2.7$ to $3.6V$
- PROGRAMMING TIME
 - $9\mu s$ per Word typical
 - Multiple Word Programming Option
($4s$ typical Chip Program)
- SUITABLE FOR ON-BOARD PROGRAMMING
- ERASE TIME
 - $21s$ typical Chip Erase
- UNIFORM BLOCKS
 - 16 blocks of 2 Mbits
- PROGRAM/ERASE CONTROLLER
 - Embedded Word Program algorithms
- 10,000 PROGRAM/ERASE CYCLES per BLOCK
- ELECTRONIC SIGNATURE
 - Manufacturer Code: $0020h$
 - Device Code: $88AEh$

Figure 1. Packages

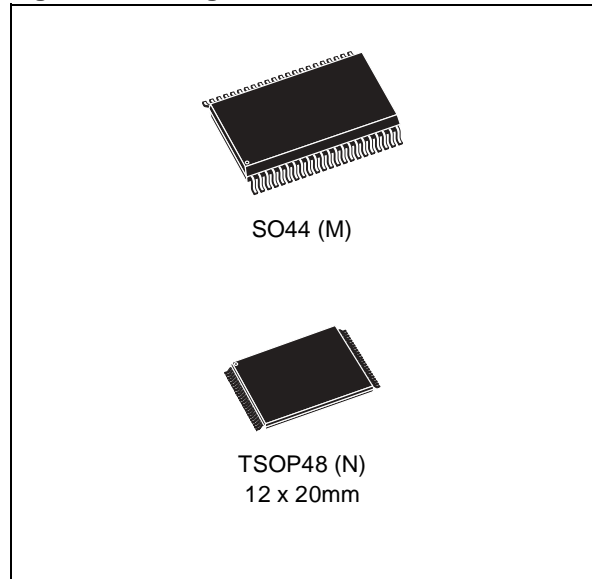


TABLE OF CONTENTS

FEATURES SUMMARY **1**

 Figure 1. Packages..... 1

SUMMARY DESCRIPTION..... **4**

 Figure 2. Logic Diagram 4

 Table 1. Signal Names 4

 Figure 3. SO Connections..... 5

 Figure 4. TSOP Connections 5

 Table 2. Block Addresses 6

SIGNAL DESCRIPTIONS **6**

 Address Inputs (A0-A20). 6

 Data Inputs/Outputs (DQ0-DQ7). 6

 Data Inputs/Outputs (DQ8-DQ15). 6

 Chip Enable (\bar{E}). 6

 Output Enable (\bar{G}). 6

 V_{CC} Supply Voltage. 6

 V_{PP} Program Supply Voltage 6

 V_{SS} Ground. 6

BUS OPERATIONS..... **7**

 Bus Read. 7

 Bus Write. 7

 Output Disable. 7

 Standby. 7

 Automatic Standby..... 7

 Electronic Signature..... 7

 Table 3. Bus Operations 7

COMMAND INTERFACE **8**

Read/Reset Command..... **8**

Auto Select Command..... **8**

Word Program Command..... **8**

Multiple Word Program Command **8**

 Setup Phase..... 8

 Program Phase..... 8

 Verify Phase..... 9

 Exit Phase. 9

Block Erase Command..... **9**

Chip Erase Command..... **9**

 Table 4. Standard Commands..... 10

 Table 5. Multiple Word Program Command 10

 Table 6. Program, Erase Times and Program, Erase Endurance Cycles 10

 Figure 5. Multiple Word Program Flowchart 11



| | |
|--|-----------|
| STATUS REGISTER | 12 |
| Data Polling Bit (DQ7) | 12 |
| Toggle Bit (DQ6) | 12 |
| Error Bit (DQ5) | 12 |
| V _{PP} Status Bit (DQ4) | 12 |
| Erase Timer Bit (DQ3) | 12 |
| Alternative Toggle Bit (DQ2) | 12 |
| Multiple Word Program Bit (DQ0) | 12 |
| Status Register Bit DQ1 is reserved | 12 |
| Table 7. Status Register Bits | 13 |
| Figure 6. Data Polling Flowchart | 13 |
| Figure 7. Data Toggle Flowchart | 13 |
| MAXIMUM RATING | 14 |
| Table 8. Absolute Maximum Ratings | 14 |
| DC and AC PARAMETERS | 15 |
| Table 9. Operating and AC Measurement Conditions | 15 |
| Figure 8. AC Measurement I/O Waveform | 15 |
| Figure 9. AC Measurement Load Circuit | 15 |
| Table 10. Device Capacitance | 15 |
| Table 11. DC Characteristics | 16 |
| Figure 10. Read AC Waveforms | 17 |
| Table 12. Read AC Characteristics | 17 |
| Figure 11. Write AC Waveforms, Chip Enable Controlled | 18 |
| Table 13. Chip Enable Controlled, Write AC Characteristics | 18 |
| PACKAGE MECHANICAL | 19 |
| Figure 12. SO44 - 44 lead Plastic Small Outline, 500 mils body width, Package Outline | 19 |
| Table 14. SO44 - 44 lead Plastic Small Outline, 500 mils body width, Package Mechanical Data | 19 |
| Figure 13. TSOP48 - 48 lead Plastic Thin Small Outline, 12x20mm, Package Outline | 20 |
| Table 15. TSOP48 - 48 lead Plastic Thin Small Outline, 12x20mm, Package Mechanical Data | 20 |
| PART NUMBERING | 21 |
| Table 16. Ordering Information Scheme | 21 |
| REVISION HISTORY | 22 |
| Table 17. Document Revision History | 22 |

SUMMARY DESCRIPTION

The M59PW032 is a 32 Mbit (2Mb x16), Mask-ROM pin-out compatible, non-volatile LightFlash memory, that can be read, erased and reprogrammed. Read operations can be performed using a single low voltage (2.7 to 3.6V) supply. Program and Erase operations require an additional V_{PP} (11.4 to 12.6V) power supply. On power-up the memory defaults to its Read mode where it can be read in the same way as a ROM or EPROM.

The memory is divided into 8 uniform blocks that can be erased independently so it is possible to preserve valid data while old data is erased (see Table 2, Block Addresses). Program and Erase commands are written to the Command Interface of the memory. An on-chip Program/Erase Controller (P/E.C.) simplifies the process of programming or erasing the memory by taking care of all of the special operations that are required to update the memory contents.

The M59PW032 features an innovative command, Multiple Word Program, that is used to program large streams of data. It greatly reduces the total programming time when a large number of Words are written to the memory at any one time. Using this command the entire memory can be programmed in 4s, compared to 18s using the standard Word Program.

The end of a program or erase operation can be detected and any error conditions identified. The command set required to control the memory is consistent with JEDEC standards.

Chip Enable and Output Enable signals control the bus operation of the memory. They allow simple connection to most microprocessors, often without additional logic.

The memory is offered in SO44 and TSOP48 (12x20mm) packages. The memory is supplied with all the bits erased (set to '1').

Figure 2. Logic Diagram

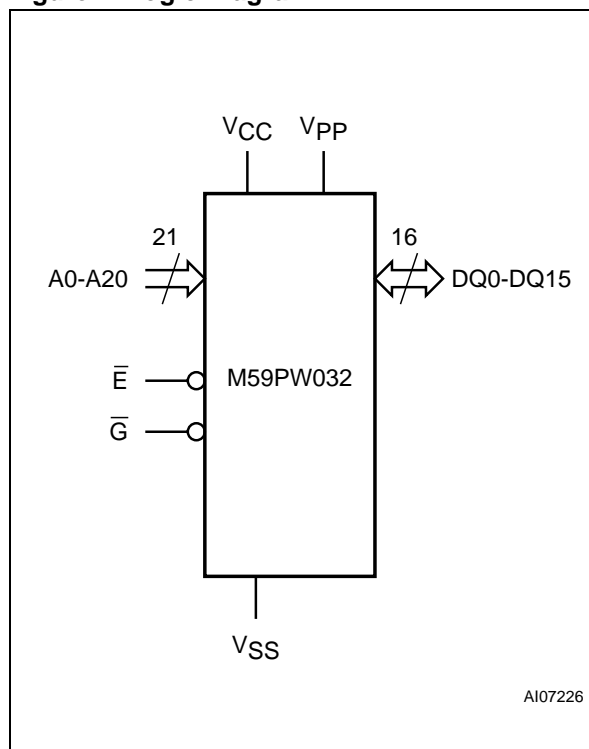


Table 1. Signal Names

| | |
|-----------------|------------------------------|
| A0-A20 | Address Inputs |
| DQ0-DQ15 | Data Inputs/Outputs |
| \bar{E} | Chip Enable |
| \bar{G} | Output Enable |
| V _{CC} | Supply Voltage read |
| V _{PP} | Supply Voltage program erase |
| V _{SS} | Ground |
| NC | Not Connected Internally |

Figure 3. SO Connections

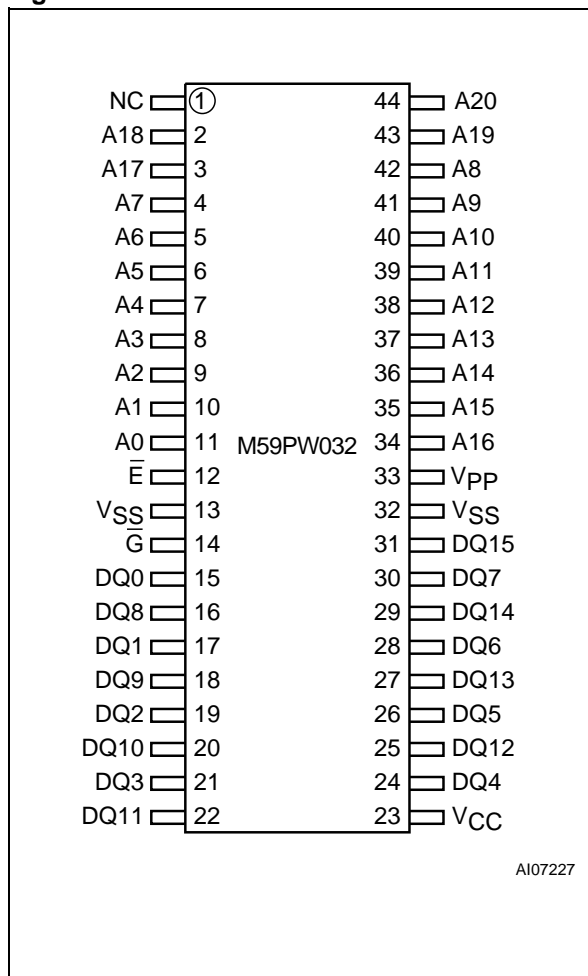


Figure 4. TSOP Connections

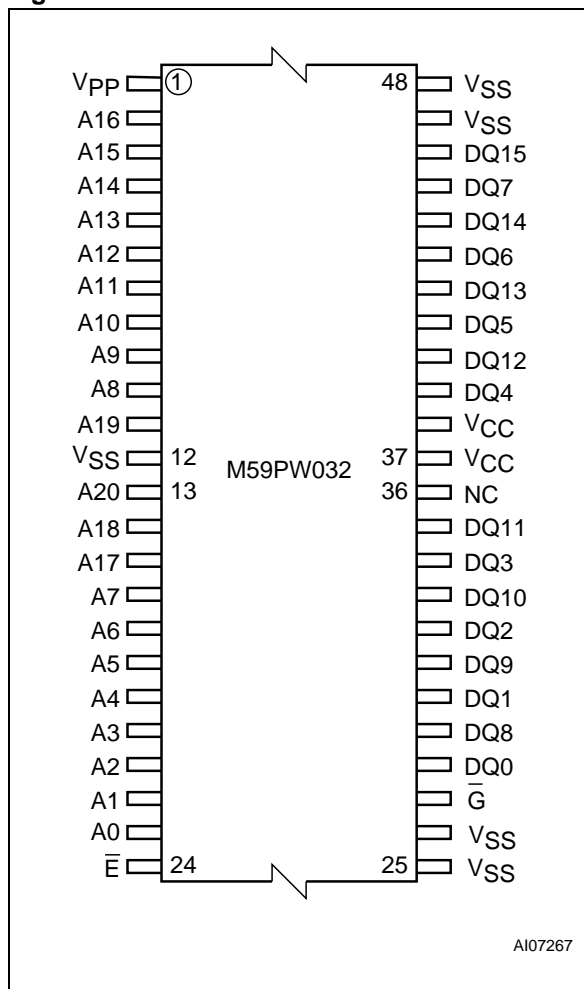


Table 2. Block Addresses

| Block Number | Address Range |
|--------------|-------------------|
| 16 | 1E0000h-1FFFFFFh |
| 15 | 1C0000h-1DFFFFFFh |
| 14 | 1A0000h-1BFFFFFFh |
| 13 | 180000h-19FFFFFFh |
| 12 | 160000h-17FFFFFFh |
| 11 | 140000h-15FFFFFFh |
| 10 | 120000h-13FFFFFFh |
| 9 | 100000h-11FFFFFFh |

| Block Number | Address Range |
|--------------|-------------------|
| 8 | 0E0000h-0FFFFFFh |
| 7 | 0C0000h-0DFFFFFFh |
| 6 | 0A0000h-0BFFFFFFh |
| 5 | 080000h-09FFFFFFh |
| 4 | 060000h-07FFFFFFh |
| 3 | 040000h-05FFFFFFh |
| 2 | 020000h-03FFFFFFh |
| 1 | 000000h-01FFFFFFh |

SIGNAL DESCRIPTIONS

See Figure 2, Logic Diagram, and Table 1, Signal Names, for a brief overview of the signals connected to this device.

Address Inputs (A0-A20). The Address Inputs select the cells in the memory array to access during Bus Read operations. During Bus Write operations they control the commands sent to the Command Interface of the Program Controller.

Data Inputs/Outputs (DQ0-DQ7). The Data Inputs/Outputs output the data stored at the selected address during a Bus Read operation. During Bus Write operations they represent the command sent to the Command Interface of the Program Controller. When reading the Status Register they report the status of the ongoing algorithm.

Data Inputs/Outputs (DQ8-DQ15). The Data Inputs/Outputs output the data stored at the selected address during a Bus Read operation. During Bus Write operations the Command Register does not use these bits. When reading the Status Register these bits should be ignored.

Chip Enable (\bar{E}). The Chip Enable, \bar{E} , activates the memory, allowing Bus Read operations to be performed. It also controls the Bus Write operations, when V_{PP} is in the V_{HH} range.

Output Enable (\bar{G}). The Output Enable, \bar{G} , controls the Bus Read operations of the memory. It

also allows Bus Write operations, when V_{PP} is in the V_{HH} range.

V_{CC} Supply Voltage. The V_{CC} Supply Voltage supplies the power for Read operations.

A 0.1 μ F capacitor should be connected between the V_{CC} Supply Voltage pin and the V_{SS} Ground pin to decouple the current surges from the power supply. The PCB track widths must be sufficient to carry the currents required during program operations, I_{CC3} .

V_{PP} Program Supply Voltage. V_{PP} is both a power supply and Write Protect pin. The two functions are selected by the voltage range applied to the pin.

When the V_{PP} is in the V_{HH} range (see Table 11, DC Characteristic, for the relevant values) the Program/Erase operation is enabled. During such operations the V_{PP} must be stable in the V_{HH} range.

If the V_{PP} is kept under the V_{HH} range, particularly in the voltage range 0 to 3.6V, any Program/Erase operation is disabled or stopped.

Note that V_{PP} must not be left floating or unconnected as the device may become unreliable.

V_{SS} Ground. The V_{SS} Ground is the reference for all voltage measurements.

BUS OPERATIONS

There are six standard bus operations that control the device. These are Bus Read, Bus Write, Output Disable, Standby, Automatic Standby and Electronic Signature. See Tables 3, Bus Operations, for a summary. Typically glitches of less than 5ns on Chip Enable or Write Enable are ignored by the memory and do not affect bus operations.

Bus Read. Bus Read operations read from the memory cells, or specific registers in the Command Interface. A valid Bus Read operation involves setting the desired address on the Address Inputs and applying a Low signal, V_{IL} , to Chip Enable and Output Enable. The Data Inputs/Outputs will output the value, see Figure 10, Read AC Waveforms, and Table 12, Read AC Characteristics, for details of when the output becomes valid.

Bus Write. Bus Write operations write to the Command Interface. Bus Write is enabled only when V_{PP} is set to V_{HH} . A valid Bus Write operation begins by setting the desired address on the Address Inputs. The Address Inputs are latched by the Command Interface on the falling edge of Chip Enable. The Data Inputs/Outputs are latched by the Command Interface on the rising edge of Chip Enable. Output Enable must remain High, V_{IH} , during the whole Bus Write operation. See Figure 11, Write AC Waveforms, and Table 13, Write AC Characteristics, for details of the timing requirements.

Output Disable. The Data Inputs/Outputs are in the high impedance state when Output Enable is High, V_{IH} .

Standby. When Chip Enable is High, V_{IH} , the memory enters Standby mode and the Data Inputs/Outputs pins are placed in the high-impedance state. To reduce the Supply Current to the Standby Supply Current, I_{CC2} , Chip Enable should be held within $V_{CC} \pm 0.2V$. For the Standby current level see Table 11, DC Characteristics.

During program operation the memory will continue to use the Program Supply Current, I_{CC3} , for Program operation until the operation completes.

Automatic Standby. If CMOS levels ($V_{CC} \pm 0.2V$) are used to drive the bus and the bus is inactive for 150ns or more the memory enters Automatic Standby where the internal Supply Current is reduced to the Standby Supply Current, I_{CC2} . The Data Inputs/Outputs will still output data if a Bus Read operation is in progress.

Electronic Signature. The memory has two codes, the manufacturer code and the device code, that can be read to identify the memory. These codes can be read by applying the signals listed in Tables 3, Bus Operations, once the Auto Select Command is executed. To exit Electronic Signature mode, the Read/Reset command must be issued.

Table 3. Bus Operations

| Operation | \bar{E} | \bar{G} | V_{PP} | Address Inputs A0-A20 | Data Inputs/Outputs DQ15-DQ0 |
|------------------------|-----------|-----------|-------------------|--|---------------------------------|
| Bus Read | V_{IL} | V_{IL} | XX ⁽³⁾ | Cell Address | Data Output |
| Bus Write | V_{IL} | V_{IH} | V_{HH} | Command Address | Data Input |
| Output Disable | X | V_{IH} | X | X | Hi-Z |
| Standby | V_{IH} | X | X | X | Hi-Z |
| Read Manufacturer Code | V_{IL} | V_{IL} | V_{HH} | A0 = V_{IL} , A1 = V_{IL} , Others V_{IL} or V_{IH} | 0020h |
| Read Device Code | V_{IL} | V_{IL} | V_{HH} | A0 = V_{IH} , A1 = V_{IL} , Others V_{IL} or V_{IH} | 88AEh |

Note: 1. X = V_{IL} or V_{IH} .

2. XX = V_{IL} , V_{IH} or V_{HH}

3. When reading Status Register during Program/Erase algorithm execution V_{PP} must be kept at V_{HH} .

COMMAND INTERFACE

All Bus Write operations to the memory are interpreted by the Command Interface. Commands consist of one or more sequential Bus Write operations. Failure to observe a valid sequence of Bus Write operations will result in the memory returning to Read mode. The long command sequences are imposed to maximize data security.

Refer to Tables 4 and 5, for a summary of the commands.

Read/Reset Command.

The Read/Reset command returns the memory to its Read mode where it behaves like a ROM or EPROM, unless otherwise stated. It also resets the errors in the Status Register. Either one or three Bus Write operations can be used to issue the Read/Reset command.

V_{PP} must be set to V_{HH} during the Read/Reset command. If V_{PP} is set to either V_{IL} or V_{IH} the command will be ignored. The command can be issued, between Bus Write cycles before the start of a program operation, to return the device to read mode. Once the program operation has started the Read/Reset command is no longer accepted.

Auto Select Command.

The Auto Select command is used to read the Manufacturer Code and the Device Code. V_{PP} must be set to V_{HH} during the Auto Select command. If V_{PP} is set to either V_{IL} or V_{IH} the command will be ignored. Three consecutive Bus Write operations are required to issue the Auto Select command. Once the Auto Select command is issued the memory remains in Auto Select mode until a Read/Reset command is issued, all other commands are ignored.

From the Auto Select mode the Manufacturer Code can be read using a Bus Read operation with $A0 = V_{IL}$ and $A1 = V_{IL}$. The other address bits may be set to either V_{IL} or V_{IH} .

The Device Code can be read using a Bus Read operation with $A0 = V_{IH}$ and $A1 = V_{IL}$. The other address bits may be set to either V_{IL} or V_{IH} .

Word Program Command.

The Word Program command can be used to program a Word to the memory array. V_{PP} must be set to V_{HH} during Word Program. If V_{PP} is set to either V_{IL} or V_{IH} the command will be ignored, the data will remain unchanged and the device will revert to Read/Reset mode. The command requires four Bus Write operations, the final write operation latches the address and data in the internal state machine and starts the P/E.C.

During the program operation the memory will ignore all commands. It is not possible to issue any command to abort or pause the operation. Typical program times are given in Table 6. Bus Read op-

erations during the program operation will output the Status Register on the Data Inputs/Outputs. See the section on the Status Register for more details.

After the program operation has completed the memory will return to the Read mode, unless an error has occurred. When an error occurs the memory will continue to output the Status Register. A Read/Reset command must be issued to reset the error condition and return to Read mode.

Note that the Program command cannot change a bit set at '0' back to '1'.

Multiple Word Program Command

The Multiple Word Program command can be used to program large streams of data. It greatly reduces the total programming time when a large number of Words are written in the memory at once. V_{PP} must be set to V_{HH} during Multiple Word Program. If V_{PP} is set either V_{IL} or V_{IH} the command will be ignored, the data will remain unchanged and the device will revert to Read mode.

It has four phases: the Setup Phase to initiate the command, the Program Phase to program the data to the memory, the Verify Phase to check that the data has been correctly programmed and re-program if necessary and the Exit Phase.

Setup Phase. The Multiple Word Program command requires three Bus Write operations to initiate the command (refer to Table 4, Multiple Word Program Command and Figure 8, Multiple Word Program Flowchart).

The Status Register must be read in order to check that the P/E.C. has started (see Table 7 and Figure 6).

Program Phase. The Program Phase requires $n+1$ Bus Write operations, where n is the number of Words, to execute the programming phase (refer to Table 5, Multiple Word Program and Figure 5, Multiple Word Program Flowchart).

Before any Bus Write operation of the Program Phase, the Status Register must be read in order to check that the P/E.C. is ready to accept the operation (see Table 7 and Figure 6).

The Program Phase is executed in three different sub-phases:

1. The first Bus Write operation of the Program Phase (the 4th of the command) latches the Start Address and the first Word to be programmed.
2. Each subsequent Bus Write operation latches the next Word to be programmed and automatically increments the internal Address Bus. It is not necessary to provide the address of the location to be programmed but only a Continue Address, CA (A17 to A20 equal to

the Start Address), that indicates to the PC that the Program Phase has to continue. A0 to A16 are 'don't care'.

3. Finally, after all Words have been programmed, a Bus Write operation (the $(n+1)^{\text{th}}$) with a Final Address, FA (A17 or a higher address pin different from the Start Address), ends the Program Phase.

The memory is now set to enter the Verify Phase.

Verify Phase. The Verify Phase is similar to the Program Phase in that all Words must be resent to the memory for them to be checked against the programmed data.

Before any Bus Write Operation of the Verify Phase, the Status Register must be read in order to check that the P/E.C. is ready for the next operation or if the reprogram of the location has failed (see Table 7 and Figure 6).

Three successive steps are required to execute the Verify Phase of the command:

1. The first Bus Write operation of the Verify Phase latches the Start Address and the Word to be verified.
2. Each subsequent Bus Write operation latches the next Word to be verified and automatically increments the internal Address Bus. As in the Program Phase, it is not necessary to provide the address of the location to be programmed but only a Continue Address, CA (A17 to A20 equal to the Start Address).
3. Finally, after all Words have been verified, a Bus Write cycle with a Final Address, FA (A17 or a higher address pin different from the Start Address) ends the Verify Phase.

Exit Phase. After the Verify Phase ends, the Status Register must be read to check if the command has successfully completed or not (see Table 7 and Figure 6).

If the Verify Phase accomplishes successfully, the memory returns to the Read mode and DQ6 stops toggling.

On the contrary, if the P/E.C. fails to reprogram a given location, the Verify Phase terminates, DQ6 continues toggling and error bit DQ5 is set in the Status Register. If the error is due to a V_{PP} failure DQ4 is also set.

When the operation fails a Read/Reset command must be issued to return the device to Read mode.

During the Multiple Word Program operation the memory will ignore all commands. It is not possible to issue any command to abort or pause the operation. Typical program times are given in Table 6. Bus Read operations during the program operation will output the Status Register on the Data In-

puts/Outputs. See the section on the Status Register for more details.

Note that the Multiple Word Program command cannot change a bit set at '0' back to '1'.

Block Erase Command.

The Block Erase command can be used to erase a block. It sets all of the bits in the block to '1'. All previous data in the block is lost.

V_{PP} must be set to V_{HH} during Block Erase. If V_{PP} is set to either V_{IL} or V_{IH} the command will be ignored, the data will remain unchanged and the device will revert to Read/Reset mode.

Six Bus Write operations are required to select the block. The Block Erase operation starts the P/E.C. after the last Bus Write operation. The Status Register can be read after the sixth Bus Write operation. See the Status Register for details on how to identify if the P/E.C. has started the Block Erase operation.

During the Block Erase operation the memory will ignore all commands. Typical block erase times are given in Table 6. All Bus Read operations during the Block Erase operation will output the Status Register on the Data Inputs/Outputs. See the section on the Status Register for more details.

After the Block Erase operation has completed the memory will return to the Read Mode, unless an error has occurred. When an error occurs the memory will continue to output the Status Register. A Read/Reset command must be issued to reset the error condition and return to Read mode.

Chip Erase Command.

The Chip Erase command can be used to erase the entire memory. It sets all of the bits in the memory to '1'. All previous data in the memory is lost.

V_{PP} must be set to V_{HH} during Chip Erase. If V_{PP} is set to either V_{IL} or V_{IH} the command will be ignored, the data will remain unchanged and the device will revert to Read/Reset mode. Six Bus Write operations are required to issue the Chip Erase Command and start the P/E.C.

During the erase operation the memory will ignore all commands. It is not possible to issue any command to abort the operation. Typical chip erase times are given in Table 6. All Bus Read operations during the Chip Erase operation will output the Status Register on the Data Inputs/Outputs. See the section on the Status Register for more details.

After the Chip Erase operation has completed the memory will return to the Read Mode, unless an error has occurred. When an error occurs the memory will continue to output the Status Register. A Read/Reset command must be issued to reset the error condition and return to Read Mode.

Table 4. Standard Commands

| Command | Length | Bus Write Operations | | | | | | | | | | | |
|--------------|--------|----------------------|------|-----|------|-----|------|-----|------|-----|------|-----|------|
| | | 1st | | 2nd | | 3rd | | 4th | | 5th | | 6th | |
| | | Add | Data | Add | Data | Add | Data | Add | Data | Add | Data | Add | Data |
| Read/Reset | 1 | X | F0 | | | | | | | | | | |
| | 3 | 555 | AA | 2AA | 55 | X | F0 | | | | | | |
| Auto Select | 3 | 555 | AA | 2AA | 55 | 555 | 90 | | | | | | |
| Word Program | 4 | 555 | AA | 2AA | 55 | 555 | A0 | PA | PD | | | | |
| Block Erase | 6 | 555 | AA | 2AA | 55 | 555 | 80 | 555 | AA | 2AA | 55 | BA | 30 |
| Chip Erase | 6 | 555 | AA | 2AA | 55 | 555 | 80 | 555 | AA | 2AA | 55 | 555 | 10 |

Note: X Don't Care, PA Program Address, PD Program Data, BA Any address in the Block. All values in the table are in hexadecimal. The Command Interface only uses A0-A10 and DQ0-DQ7 to verify the commands; A11-A20, DQ8-DQ15 are Don't Care.

Table 5. Multiple Word Program Command

| Phase | Length | Bus Write Operations | | | | | | | | | | | | | | |
|---------|--------|----------------------|------|-----|------|-----|------|-----|------|-----|------|-----|------|-------|------|---|
| | | 1st | | 2nd | | 3rd | | 4th | | 5th | | nth | | Final | | |
| | | Add | Data | Add | Data | Add | Data | Add | Data | Add | Data | Add | Data | Add | Data | |
| Set-Up | 3 | 555 | AA | 2AA | 55 | 555 | 20 | | | | | | | | | |
| Program | n+1 | SA | PD1 | CA | PD2 | CA | PD3 | CA | PD4 | CA | PD5 | | CA | PAn | FA | X |
| Verify | n+1 | SA | PD1 | CA | PD2 | CA | PD3 | CA | PD4 | CA | PD5 | | CA | PAn | FA | X |

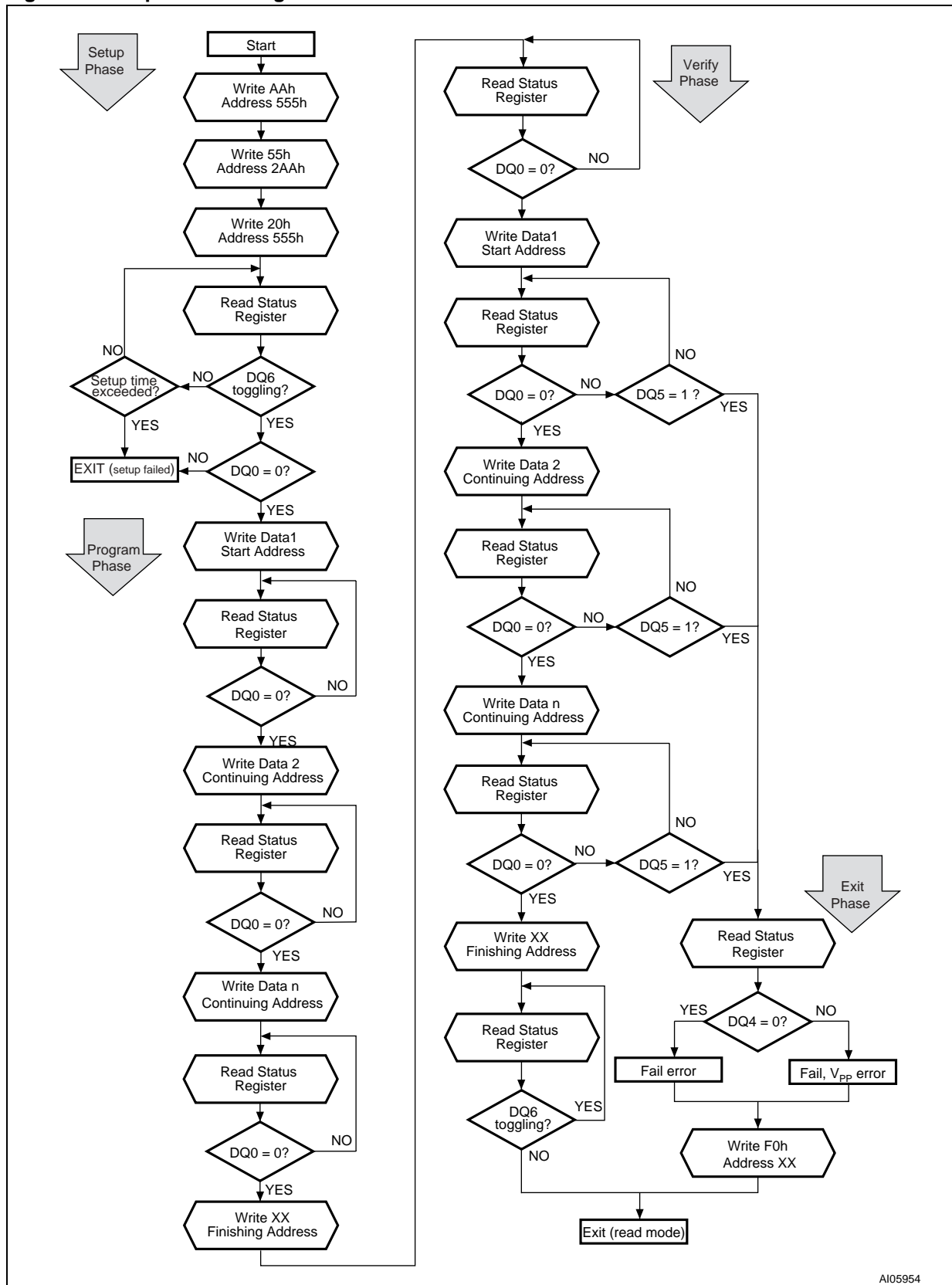
Note: A Bus Read must be done between each Write cycle where the data is programmed or verified, to Read the Status Register and check that the memory is ready to accept the next data. SA is the Start Address. CA is the Continue Address. FA is the Final Address. X Don't Care, n = number of Words to be programmed.

Table 6. Program, Erase Times and Program, Erase Endurance Cycles

| Parameter | Min | Typ ⁽¹⁾ | Typical after 10k W/E Cycles ⁽¹⁾ | Max | Unit |
|----------------------------------|--------|--------------------|---|-----|--------|
| Chip Erase | | 21 | 25 | 120 | s |
| Block Erase (128 KWords) | | 1.5 | | 6 | s |
| Program (Word) | | 9 | | 200 | µs |
| Chip Program (Multiple Word) | | 4 | | 35 | s |
| Chip Program (Word by Word) | | 18 | | 35 | s |
| Program/Erase Cycles (per Block) | 10,000 | | | | cycles |

Note: 1. T_A = 25°C, V_{PP} = 12V.

Figure 5. Multiple Word Program Flowchart



AI05954

STATUS REGISTER

Bus Read operations from any address always read the Status Register during Program and Erase operations. The bits in the Status Register are summarized in Table 7, Status Register Bits.

Data Polling Bit (DQ7). The Data Polling Bit can be used to identify whether the P/E.C. has successfully completed its operation. The Data Polling Bit is output on DQ7 when the Status Register is read.

During a Word Program operation the Data Polling Bit outputs the complement of the bit being programmed to DQ7. After successful completion of the Word Program operation the memory returns to Read mode and Bus Read operations from the address just programmed output DQ7, not its complement.

During Erase operations the Data Polling Bit outputs '0', the complement of the erased state of DQ7. After successful completion of the Erase operation the memory returns to Read Mode.

Figure 6, Data Polling Flowchart, gives an example of how to use the Data Polling Bit. A Valid Address is the address being programmed or an address within the block being erased.

Toggle Bit (DQ6). The Toggle Bit can be used to identify whether the P/E.C. has successfully completed its operation. The Toggle Bit is output on DQ6 when the Status Register is read.

During Program and Erase operations the Toggle Bit changes from '0' to '1' to '0', etc., with successive Bus Read operations at any address. After successful completion of the operation the memory returns to Read mode.

Figure 7, Data Toggle Flowchart, gives an example of how to use the Data Toggle Bit.

Error Bit (DQ5). The Error Bit can be used to identify errors detected by the P/E.C. The Error Bit is set to '1' when a Program, Block Erase or Chip Erase operation fails to write the correct data to the memory. If the Error Bit is set a Read/Reset command must be issued before other commands are issued. The Error bit is output on DQ5 when the Status Register is read.

Note that the Program command cannot change a bit set to '0' back to '1' and attempting to do so will set DQ5 to '1'. A Bus Read operation to that address will show the bit is still '0'. One of the Erase commands must be used to set all the bits in a block or in the whole memory from '0' to '1'.

V_{PP} Status Bit (DQ4). The V_{PP} Status Bit can be used to identify if any Program or Erase operation has failed due to a V_{PP} error. If V_{PP} falls below V_{HH} during any Program or Erase operation, the operation aborts and DQ4 is set to '1'. If V_{PP} remains at V_{HH} throughout the Program or Erase operation, the operation completes and DQ4 is set to '0'.

Erase Timer Bit (DQ3). The Erase Timer Bit can be used to identify the start of P/E.C. operation during a Block Erase command. Once the P/E.C. starts erasing the Erase Timer Bit is set to '1'. The Erase Timer Bit is output on DQ3 when the Status Register is read.

Alternative Toggle Bit (DQ2). The Alternative Toggle Bit can be used to monitor the P/E.C. during Block Erase operations. The Alternative Toggle Bit is output on DQ2 when the Status Register is read.

During Block Erase operations the Toggle Bit changes from '0' to '1' to '0', etc., with successive Bus Read operations from addresses within the block being erased. Once the operation completes the memory returns to Read mode.

After an Erase operation that causes the Error Bit to be set, the Alternative Toggle Bit can be used to identify where the error occurred. The Alternative Toggle Bit changes from '0' to '1' to '0', etc. with successive Bus Read Operations from addresses within a block that has not erased correctly. The Alternative Toggle Bit does not change if the addressed block has erased correctly.

Multiple Word Program Bit (DQ0). The Multiple Word Program Bit can be used to indicate whether the P/E.C. is active or inactive during Multiple Word Program. When the P/E.C. has written one Word and is ready to accept the next Word, the bit is set to '0'.

Status Register Bit DQ1 is reserved.

Table 7. Status Register Bits

| Command (1) | P/E.C. Status | Address | DQ7 | DQ6 | DQ5 | DQ4 | DQ3 | DQ2 | DQ0 |
|----------------------------|------------------|----------------------|------------------|--------|-----|-----|-----|-----------|-----|
| Multiple Word Program | Programming | – | – | Toggle | 0 | – | 0 | – | 1 |
| | Waiting for data | – | – | Toggle | 0 | – | 0 | – | 0 |
| | Program fail | – | – | Toggle | 1 | (2) | 0 | – | 1 |
| Word Program | Programming | – | $\overline{DQ7}$ | Toggle | 0 | – | 0 | – | – |
| | Program error | – | $\overline{DQ7}$ | Toggle | 1 | (2) | 0 | – | – |
| Chip Erase/ Block Erase | Erasing | In erasing block | 0 | Toggle | 0 | – | 1 | Toggle | – |
| | | Not in erasing block | 0 | Toggle | 0 | – | 1 | No Toggle | – |
| | Erase fail | In failed block | 0 | Toggle | 1 | (2) | 1 | Toggle | – |
| | | Not in failed block | 0 | Toggle | 1 | (2) | 1 | No Toggle | – |

Note: 1. Unspecified data bits should be ignored.

2. DQ4 = 0 if $V_{PP} \geq V_{HH}$ during Program/Erase algorithm execution; DQ4 = 1 if $V_{PP} < V_{HH}$ during Program/Erase algorithm execution.

Figure 6. Data Polling Flowchart

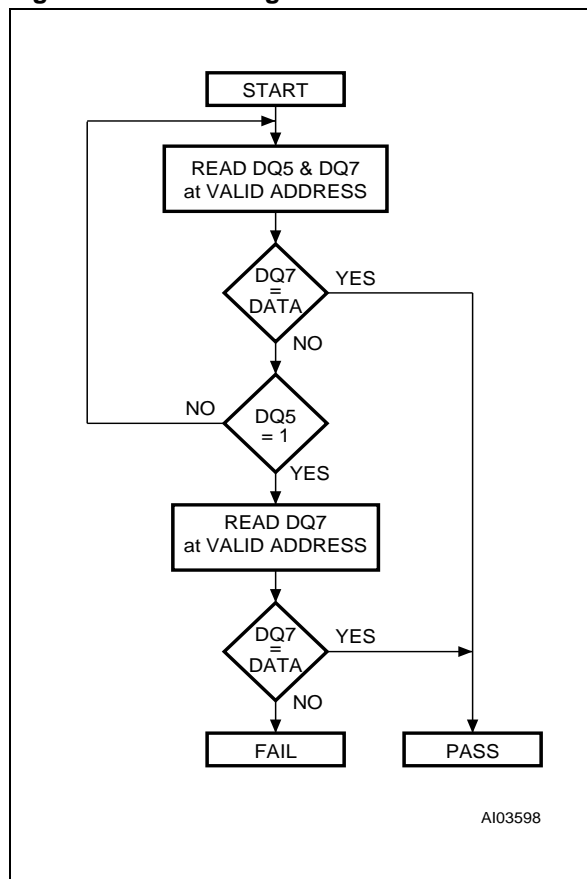
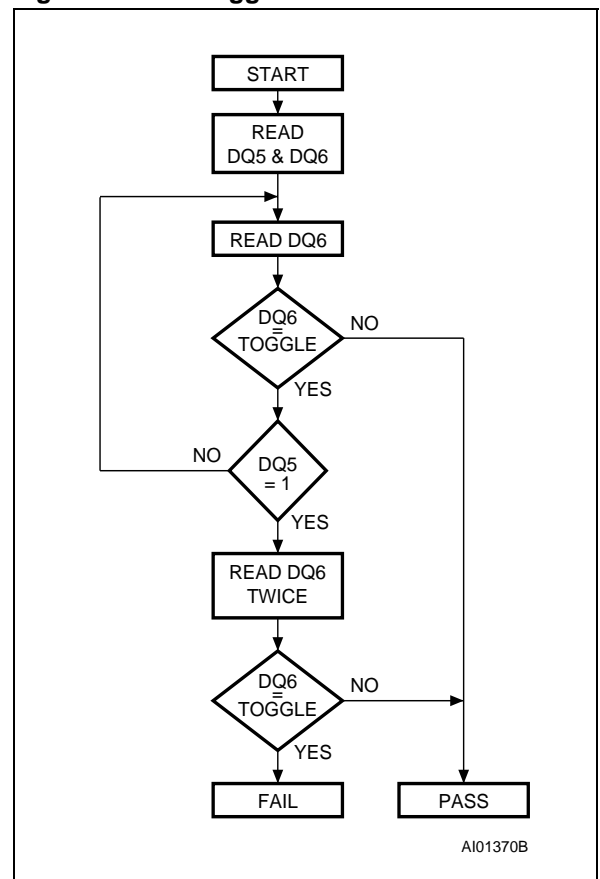


Figure 7. Data Toggle Flowchart



MAXIMUM RATING

Stressing the device above the rating listed in the Absolute Maximum Ratings" table may cause permanent damage to the device. Exposure to Absolute Maximum Rating conditions for extended periods may affect device reliability. These are stress ratings only and operation of the device at

these or any other conditions above those indicated in the Operating sections of this specification is not implied. Refer also to the STMicroelectronics SURE Program and other relevant quality documents.

Table 8. Absolute Maximum Ratings

| Symbol | Parameter | Min | Max | Unit |
|-------------------|---|------|----------------------|------|
| T _{BIAS} | Temperature Under Bias | -50 | 125 | °C |
| T _{STG} | Storage Temperature | -65 | 150 | °C |
| V _{IO} | Input or Output Voltage ^(1,2) | -0.6 | V _{CC} +0.6 | V |
| V _{CC} | Read Supply Voltage | -0.6 | 4 | V |
| V _{PP} | Program/Erase Supply Voltage ⁽³⁾ | -0.6 | 13.5 | V |

- Note: 1. Minimum voltage may undershoot to -2V for less than 20ns during transitions.
2. Maximum voltage may overshoot to V_{CC} +2V for less than 20ns during transitions.
3. Maximum voltage may overshoot to 14.0V for less than 20ns during transitions. V_{PP} must not remain at V_{HH} for more than a total of 80hrs.

DC AND AC PARAMETERS

This section summarizes the operating measurement conditions, and the DC and AC characteristics of the device. The parameters in the DC and AC characteristics Tables that follow, are derived from tests performed under the Measurement

Conditions summarized in Table 9, Operating and AC Measurement Conditions. Designers should check that the operating conditions in their circuit match the operating conditions when relying on the quoted parameters.

Table 9. Operating and AC Measurement Conditions

| Parameter | M59PW032 | | Unit |
|---|----------|------|------|
| | 100, 110 | | |
| | Min | Max | |
| V _{CC} Read Supply Voltage | 2.7 | 3.6 | V |
| V _{PP} Program/Erase Supply Voltage | 11.4 | 12.6 | V |
| Ambient Operating Temperature (T _A) | 0 | 70 | °C |
| Load Capacitance (C _L) | 30 | | pF |
| Input Rise and Fall Times | | 10 | ns |
| Input Pulse Voltages | 0 to 3 | | V |
| Input and Output Timing Ref. Voltages | 1.5 | | V |

Figure 8. AC Measurement I/O Waveform

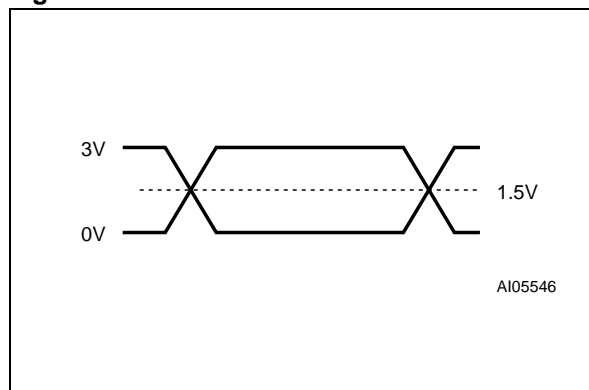


Figure 9. AC Measurement Load Circuit

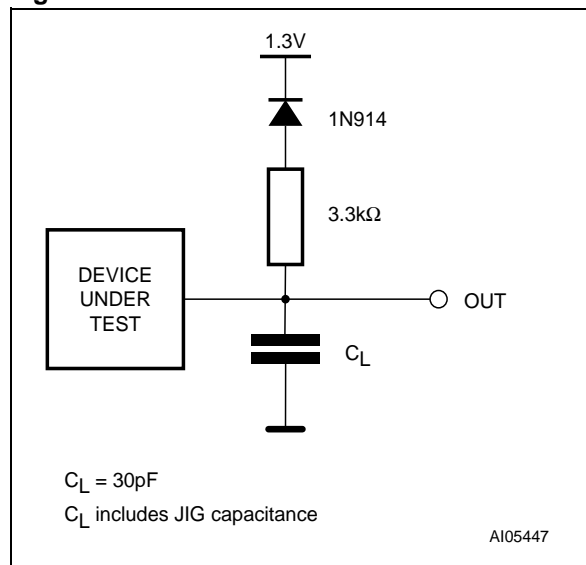


Table 10. Device Capacitance

| Symbol | Parameter | Test Condition | Min | Max | Unit |
|------------------|--------------------|-----------------------|-----|-----|------|
| C _{IN} | Input Capacitance | V _{IN} = 0V | | 6 | pF |
| C _{OUT} | Output Capacitance | V _{OUT} = 0V | | 12 | pF |

Note: Sampled only, not 100% tested.

Table 11. DC Characteristics

| Symbol | Parameter ⁽¹⁾ | Test Condition | Min | Max | Unit |
|---------------------------------|-----------------------------------|---|----------------------|----------------------|------|
| I _{LI} | Input Leakage Current | $0V \leq V_{IN} \leq V_{CC}$ | | ±1 | μA |
| I _{LO} | Output Leakage Current | $0V \leq V_{OUT} \leq V_{CC}$ | | ±1 | μA |
| I _{CC1} | Supply Current (Read) | $\bar{E} = V_{IL}, \bar{G} = V_{IH},$ f = 6MHz | | 10 | mA |
| I _{CC2} ⁽²⁾ | Supply Current (Standby) | $\bar{E} = V_{CC} \pm 0.2V$ | | 100 | μA |
| I _{CC3} | Supply Current (Program) | P/E.C. active | | 20 | mA |
| V _{IL} | Input Low Voltage | | -0.5 | 0.8 | V |
| V _{IH} | Input High Voltage | | 0.7V _{CC} | V _{CC} +0.3 | V |
| V _{OL} | Output Low Voltage | I _{OL} = 1.8mA | | 0.45 | V |
| V _{OH} | Output High Voltage | I _{OH} = -100μA | V _{CC} -0.4 | | V |
| V _{HH} | V _{PP} Program Voltage | | 11.4 | 12.6 | V |
| I _{HH} | V _{PP} Current (Program) | P/E.C. Active | | 10 | mA |

Note: 1. V_{CC} must be applied simultaneously or before V_{PP} and removed simultaneously or after V_{PP}.

2. Average Value.

Figure 10. Read AC Waveforms

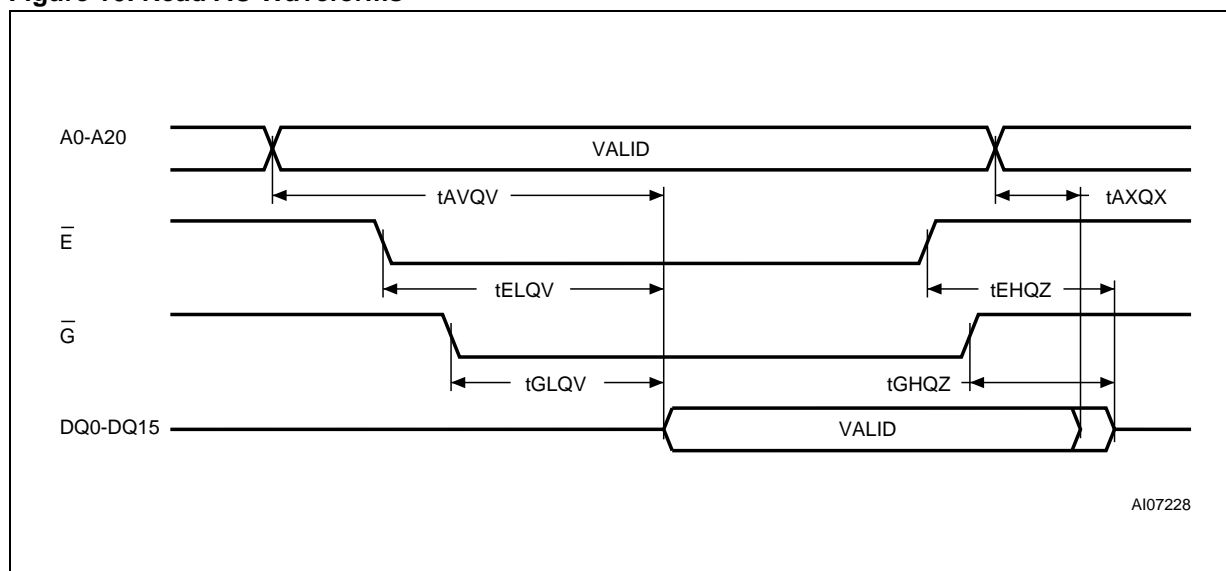


Table 12. Read AC Characteristics

| Symbol | Alt | Parameter ⁽¹⁾ | Test Condition | | M59PW032 | | | Unit |
|------------------|-----------|---|--|-----|--------------------------|--------------------------|--------------------------|------|
| | | | | | 100 | | 110 | |
| | | | | | $V_{CC} = 3.0$ to $3.6V$ | $V_{CC} = 2.7$ to $3.6V$ | $V_{CC} = 2.7$ to $3.6V$ | |
| t_{AVQV} | t_{ACC} | Address Valid to Output Valid | $\bar{E} = V_{IL}$, $\bar{G} = V_{IL}$ | Max | 90 | 100 | 110 | ns |
| t_{ELQV} | t_{CE} | Chip Enable Low to Output Valid | $\bar{G} = V_{IL}$ | Max | 90 | 100 | 110 | ns |
| t_{GLQV} | t_{OE} | Output Enable Low to Output Valid | $\bar{E} = V_{IL}$ | Max | 35 | 35 | 35 | ns |
| $t_{EHQZ}^{(2)}$ | t_{HZ} | Chip Enable High to Output Hi-Z | $\bar{G} = V_{IL}$ | Max | 30 | 30 | 30 | ns |
| $t_{GHQZ}^{(2)}$ | t_{DF} | Output Enable High to Output Hi-Z | $\bar{E} = V_{IL}$ | Max | 30 | 30 | 30 | ns |
| t_{AXQX} | t_{OH} | Address Transition to Output Transition | | Min | 0 | 0 | 0 | ns |

Note: 1. V_{PP} must be applied after V_{CC} and with the Chip Enable (\bar{E}) at V_{IH} .

2. Sampled only, not 100% tested.

Figure 11. Write AC Waveforms, Chip Enable Controlled

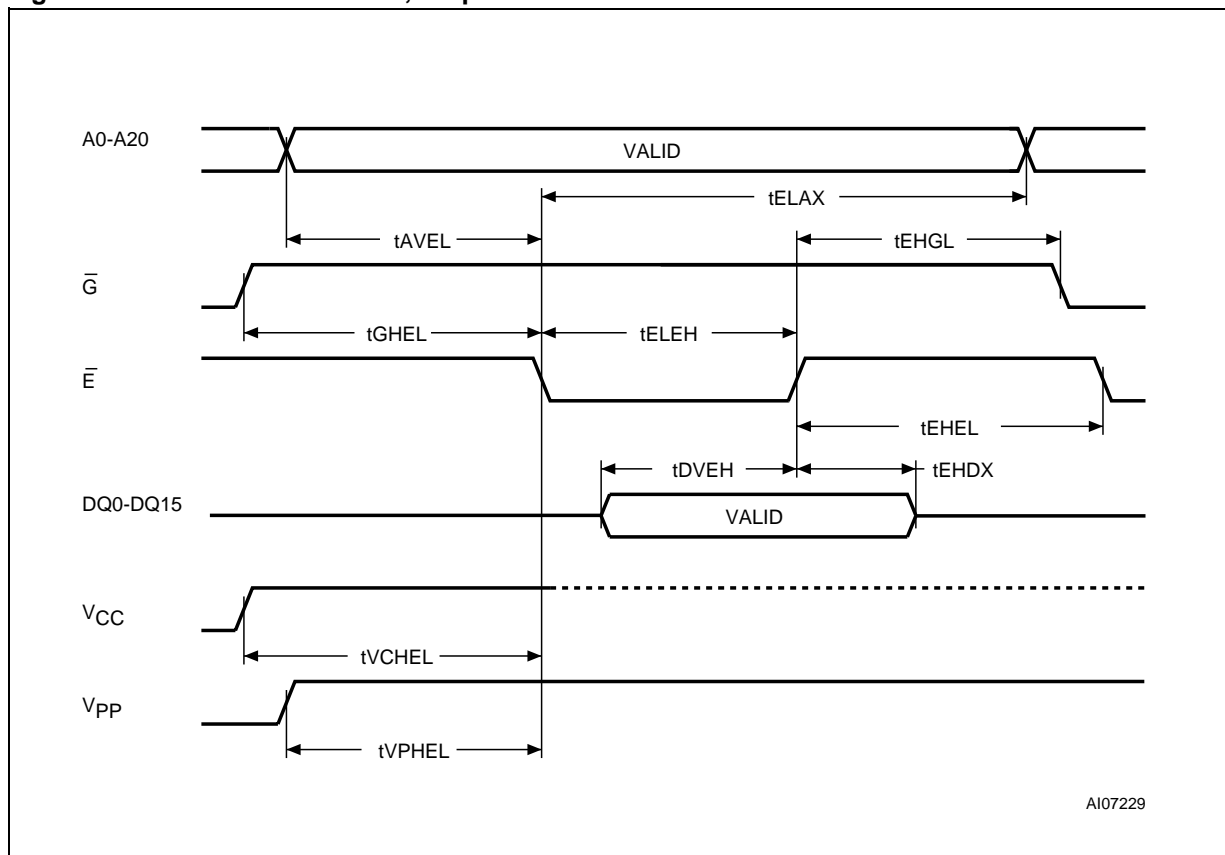


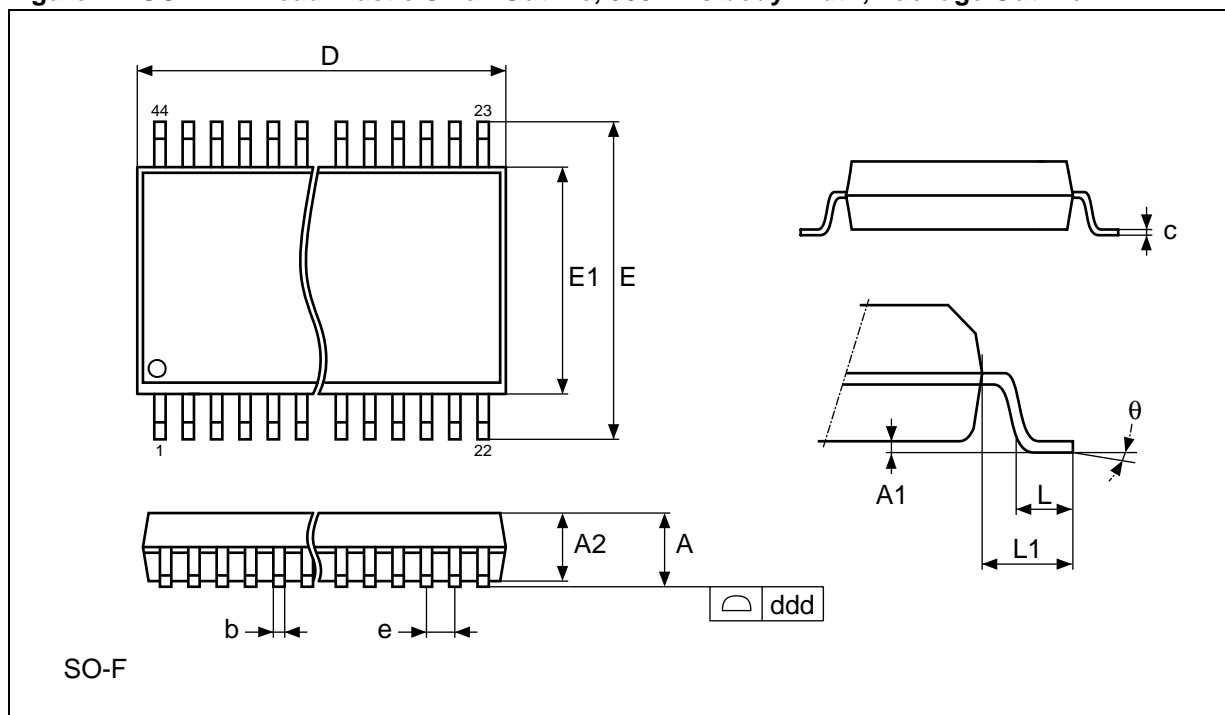
Table 13. Chip Enable Controlled, Write AC Characteristics

| Symbol | Alt | Parameter ⁽¹⁾ | | M59PW032 | Unit |
|------------------|------------|---------------------------------------|-----|----------|---------|
| t_{ELEH} | t_{CP} | Chip Enable Low to Chip Enable High | Min | 50 | ns |
| t_{DVEH} | t_{DS} | Input Valid to Chip Enable High | Min | 50 | ns |
| t_{EHDX} | t_{DH} | Chip Enable High to Input Transition | Min | 0 | ns |
| t_{EHEL} | t_{CPH} | Chip Enable High to Chip Enable Low | Min | 50 | ns |
| t_{AVEL} | t_{AS} | Address Valid to Chip Enable Low | Min | 0 | ns |
| t_{ELAX} | t_{AH} | Chip Enable Low to Address Transition | Min | 100 | ns |
| t_{GHEL} | | Output Enable High Chip Enable Low | Min | 10 | ns |
| t_{EHGL} | t_{OEHL} | Chip Enable High to Output Enable Low | Min | 10 | ns |
| t_{VCHL} | t_{VCS} | V_{CC} High to Chip Enable Low | Min | 50 | μ s |
| $t_{VPHL}^{(2)}$ | t_{VCS} | V_{PP} High to Chip Enable Low | Min | 500 | ns |

Note: 1. $T_A = 25^\circ\text{C}$; $V_{PP} = 11.4$ to 12.6V ; $V_{CC} = 2.7$ to 3.6V .
 V_{PP} must be applied after V_{CC} and with the Chip Enable (\bar{E}) at V_{IH} .
 Sampled only, not 100% tested.
 2. Not required in Auto Select or Read/Reset command sequences.

PACKAGE MECHANICAL

Figure 12. SO44 - 44 lead Plastic Small Outline, 500 mils body width, Package Outline

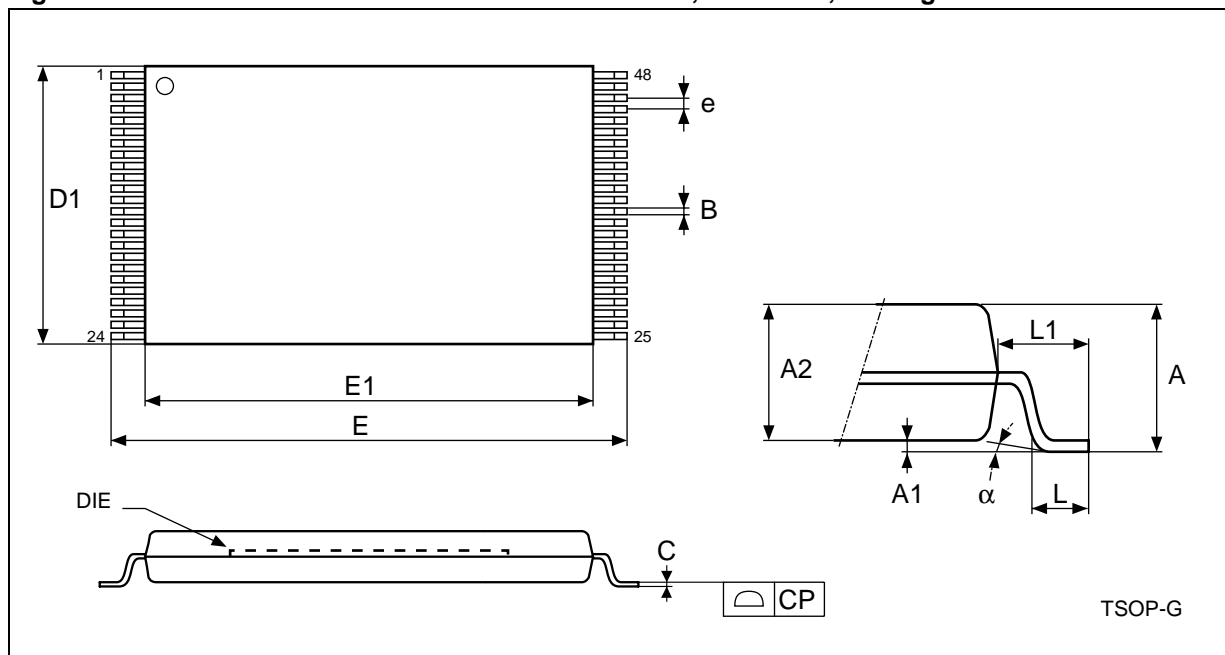


Note: Drawing is not to scale.

Table 14. SO44 - 44 lead Plastic Small Outline, 500 mils body width, Package Mechanical Data

| Symbol | millimeters | | | inches | | |
|----------|-------------|-------|-------|--------|-------|-------|
| | Typ | Min | Max | Typ | Min | Max |
| A | | | 3.00 | | | 0.118 |
| A1 | 0.10 | | | 0.004 | | |
| A2 | 2.69 | 2.56 | 2.79 | 0.106 | 0.101 | 0.110 |
| b | | 0.35 | 0.50 | | 0.014 | 0.020 |
| c | | 0.18 | 0.28 | | 0.007 | 0.011 |
| D | 28.50 | 28.37 | 28.63 | 1.122 | 1.117 | 1.127 |
| ddd | | | 0.10 | | | 0.004 |
| E | 16.03 | 15.77 | 16.28 | 0.631 | 0.621 | 0.641 |
| E1 | 12.60 | 12.47 | 12.73 | 0.496 | 0.491 | 0.501 |
| e | 1.27 | – | – | 0.050 | – | – |
| L | 0.79 | | | 0.031 | | |
| L1 | 1.73 | | | 0.068 | | |
| θ | | | 8° | | | 8° |
| N | 44 | | | 44 | | |

Figure 13. TSOP48 - 48 lead Plastic Thin Small Outline, 12x20mm, Package Outline



Note: Drawing is not to scale.

Table 15. TSOP48 - 48 lead Plastic Thin Small Outline, 12x20mm, Package Mechanical Data

| Symbol | millimeters | | | inches | | |
|--------|-------------|--------|--------|--------|--------|--------|
| | Typ | Min | Max | Typ | Min | Max |
| A | | | 1.200 | | | 0.0472 |
| A1 | 0.100 | 0.050 | 0.150 | 0.0039 | 0.0020 | 0.0059 |
| A2 | 1.000 | 0.950 | 1.050 | 0.0394 | 0.0374 | 0.0413 |
| B | 0.220 | 0.170 | 0.270 | 0.0087 | 0.0067 | 0.0106 |
| C | | 0.100 | 0.210 | | 0.0039 | 0.0083 |
| CP | | | 0.080 | | | 0.0031 |
| D1 | 12.000 | 11.900 | 12.100 | 0.4724 | 0.4685 | 0.4764 |
| E | 20.000 | 19.800 | 20.200 | 0.7874 | 0.7795 | 0.7953 |
| E1 | 18.400 | 18.300 | 18.500 | 0.7244 | 0.7205 | 0.7283 |
| e | 0.500 | – | – | 0.0197 | – | – |
| L | 0.600 | 0.500 | 0.700 | 0.0236 | 0.0197 | 0.0276 |
| L1 | 0.800 | | | 0.0315 | | |
| α | 3 | 0 | 5 | 3 | 0 | 5 |

PART NUMBERING

Table 16. Ordering Information Scheme

| | | | | |
|--|-----|---|---|---|
| Example: M59PW032 | 100 | M | 1 | T |
| Device Type M59P = LightFlash Memory | | | | |
| Operating Voltage W = $V_{CC} = 2.7$ to $3.6V$ | | | | |
| Device Function 032 = 16 Mbit (x16) | | | | |
| Speed 100 = 100 ns ⁽¹⁾ 110 = 110 ns | | | | |
| Package M = SO44, 500mils body width N = TSOP48: 12 x 20 mm | | | | |
| Temperature Range 1 = 0 to 70 °C | | | | |
| Option T = Tape & Reel Packing | | | | |

Note: 1. This speed also guarantees 90ns access time at $V_{CC} = 3.0$ to $3.6V$.

Devices are shipped from the factory with the memory content bits erased to '1'.

For a list of available options (Speed, Package, etc) or for further information on any aspect of this device, please contact the ST Sales Office nearest to you.

REVISION HISTORY**Table 17. Document Revision History**

| Date | Version | Revision Details |
|-------------|----------------|--|
| 19-Jul-2002 | 1.0 | First Issue |
| 05-Aug-2002 | 1.1 | Multiple Word Program Command Table clarified (Table 5) I _{CC1} , I _{CC2} clarified (Table 11) |
| 05-Dec-2002 | 1.2 | Mask-ROM specification added SO44 package changed to 500mils body width Bus Operation table clarified (Table 3) Read/Reset, Auto Select and Multiple Word Program commands clarified 90ns speed class obtained from the 100ns at V _{CC} = 3.0 to 3.6V - clarification (Table 12 and 13) |
| 20-Feb-2003 | 1.3 | TSOP Connections diagram updated (Figure 4) |
| 30-Jan-2004 | 2.0 | Document status promoted from Product Preview to full Datasheet. TSOP48 package specifications changed (see Figure 13 and Table 15). |

Information furnished is believed to be accurate and reliable. However, STMicroelectronics assumes no responsibility for the consequences of use of such information nor for any infringement of patents or other rights of third parties which may result from its use. No license is granted by implication or otherwise under any patent or patent rights of STMicroelectronics. Specifications mentioned in this publication are subject to change without notice. This publication supersedes and replaces all information previously supplied. STMicroelectronics products are not authorized for use as critical components in life support devices or systems without express written approval of STMicroelectronics.

The ST logo is a registered trademark of STMicroelectronics.

All other names are the property of their respective owners.

© 2004 STMicroelectronics - All rights reserved

STMicroelectronics GROUP OF COMPANIES

Australia - Belgium - Brazil - Canada - China - Czech Republic - Finland - France - Germany -

Hong Kong - India - Israel - Italy - Japan - Malaysia - Malta - Morocco - Singapore -

Spain - Sweden - Switzerland - United Kingdom - United States

www.st.com